

US00D945369S

(12) **United States Design Patent**
Zhang

(10) **Patent No.:** **US D945,369 S**
(45) **Date of Patent:** **** Mar. 8, 2022**

(54) **PLUG**

(71) Applicant: **C-SMARTLINK INFORMATION TECHNOLOGY CO., LIMITED,**
Shenzhen (CN)

(72) Inventor: **Wenfeng Zhang,** Shenzhen (CN)

(73) Assignee: **C-SMARTLINK INFORMATION TECHNOLOGY CO., LIMITED,**
Shenzhen (CN)

(**) Term: **15 Years**

(21) Appl. No.: **29/739,696**

(22) Filed: **Jun. 29, 2020**

(51) **LOC (13) Cl.** **13-03**

(52) **U.S. Cl.**
USPC **D13/133; D13/147; D14/433**

(58) **Field of Classification Search**
USPC ... D13/103, 107, 110, 120, 123, 133, 137.4,
D13/146-147, 154, 159-160, 162, 164,
D13/184, 199; D14/125, 168,
D14/203.1-203.8, 240, 242, 356, 358,
D14/363, 365, 366, 367, 370, 383-386,
D14/432, 433, 434, 435, 435.1, 436, 437,
D14/439, 480.1-480.7, 484, 484.1, 496,
D14/498

CPC H05K 5/006; H01R 31/005; H01R 27/02;
B60R 16/02

See application file for complete search history.

(56) **References Cited**

U.S. PATENT DOCUMENTS

D356,293 S * 3/1995 Riley D13/133
5,476,396 A * 12/1995 De Castro B60R 16/02
439/620.31
D675,991 S * 2/2013 Sasada D13/147

D895,551 S * 9/2020 Turksu D13/133
D896,185 S * 9/2020 Turksu D13/147
D908,095 S * 1/2021 Turksu D13/147
D910,578 S * 2/2021 Turksu D13/147
D924,239 S * 7/2021 Yang D14/434
D924,874 S * 7/2021 Yang D14/434
D934,867 S * 11/2021 Wu D14/433
2009/0286419 A1 * 11/2009 Koyama H01R 27/02
439/358
2020/0014161 A1 * 1/2020 Liao H05K 5/006
2020/0266594 A1 * 8/2020 Chu H01R 31/005

OTHER PUBLICATIONS

Anker, Nov. 16, 2020, [online], [site visited Dec. 14, 2021], Available from internet, URL: <https://www.amazon.com/Anker-PowerExpand-Delivery-Multi-Function-Ethernet/dp/B08NJ8CWCS> (Year: 2020).*

(Continued)

Primary Examiner — Shawn T Gingrich
Assistant Examiner — Bryan Nolan Melvin

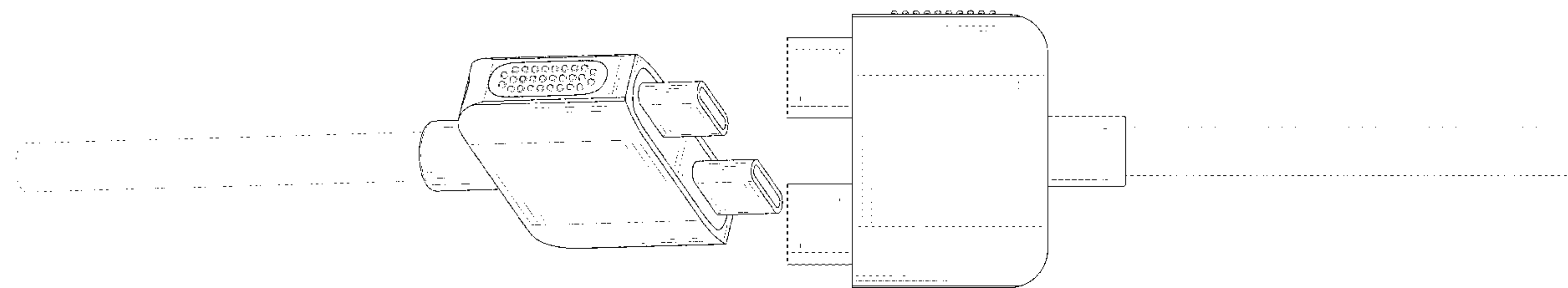
(57) **CLAIM**

The ornamental design for a plug, as shown and described.

DESCRIPTION

FIG. 1 is a perspective view of a plug showing my new design;
FIG. 2 is another perspective view thereof;
FIG. 3 is a front elevational view thereof;
FIG. 4 is a rear elevational view thereof;
FIG. 5 is a left side elevational view thereof;
FIG. 6 is a right side elevational view thereof;
FIG. 7 is a top plan view thereof; and,
FIG. 8 is a bottom plan view thereof.
The broken lines in the drawings are for the purpose of illustrating portions of the plug that form no part of the claimed design.

1 Claim, 8 Drawing Sheets



(56)

References Cited

OTHER PUBLICATIONS

C-Smartlink, Sep. 20, 2021, [online], [site visited Dec. 14, 2021], Available from internet, URL: https://m.facebook.com/CSmartlinkInfo/photos/a.111250240762667/291040129450343/?type=3&source=48&_tn_=EH-R (Year: 2021).*

SMK-Link, Jan. 26, 2021, [online], [site visited Dec. 14, 2021], Available from internet, URL: <https://www.smklink.com/products/usb-c-dual-4k-multi-stream-mini-docking-station> (Year: 2021).*

* cited by examiner

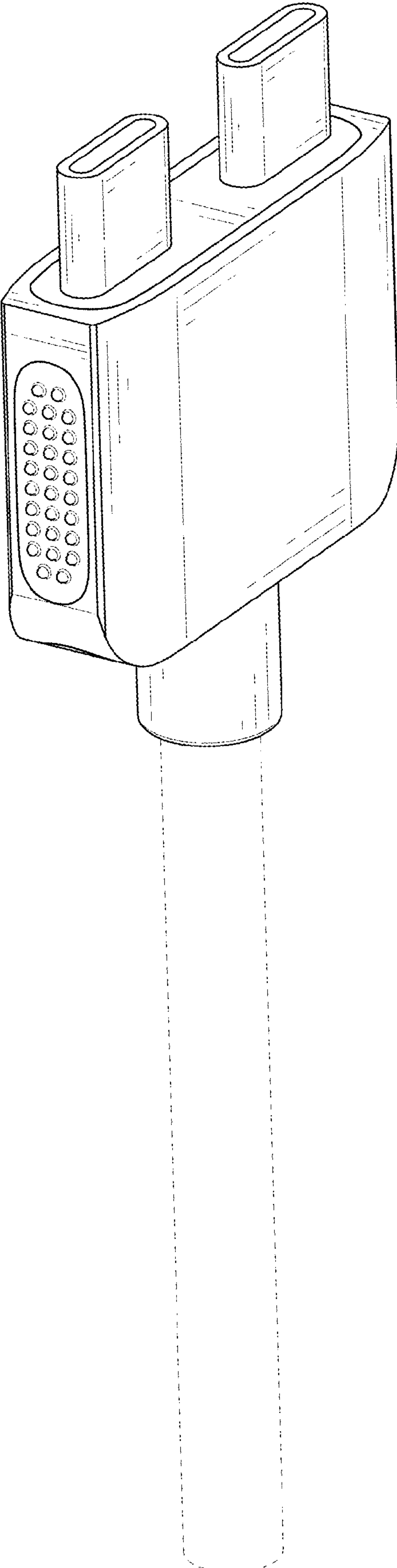


FIG. 1

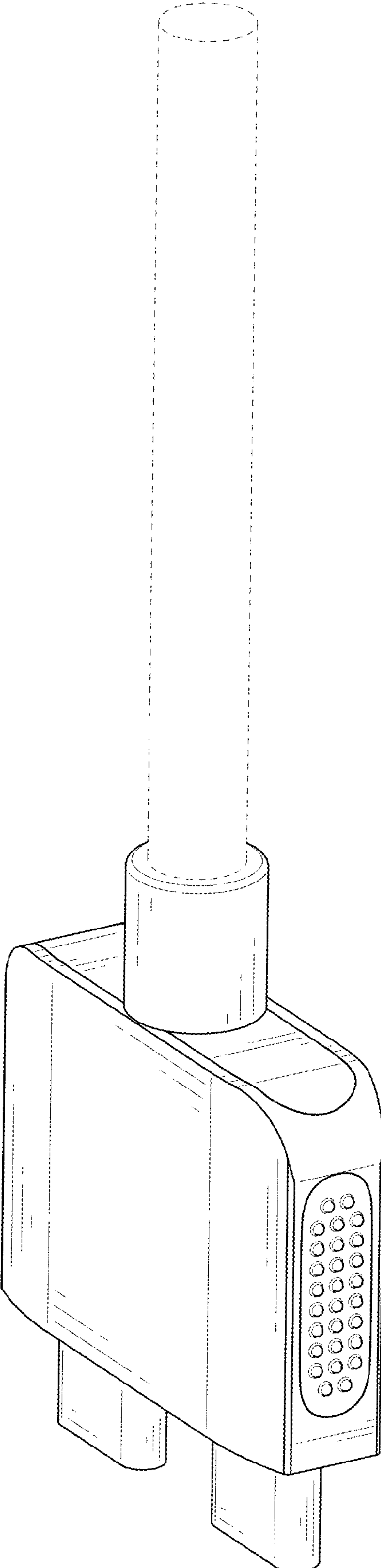


FIG. 2

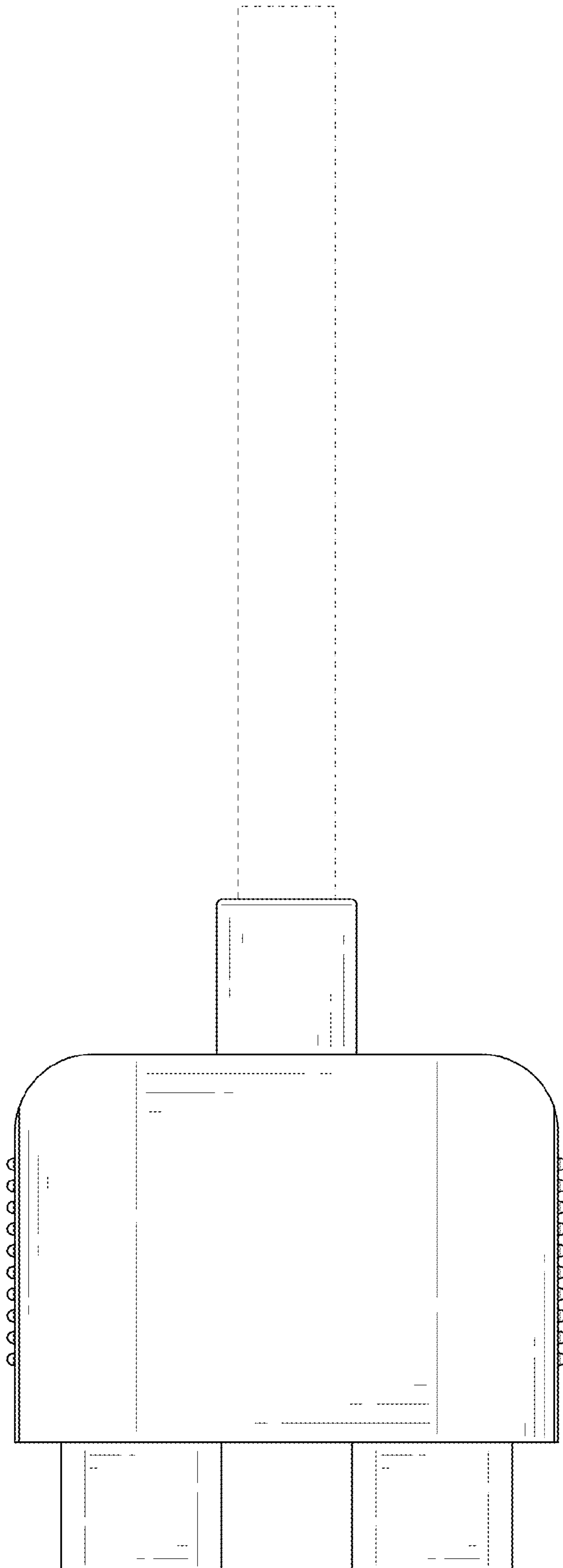


FIG. 3

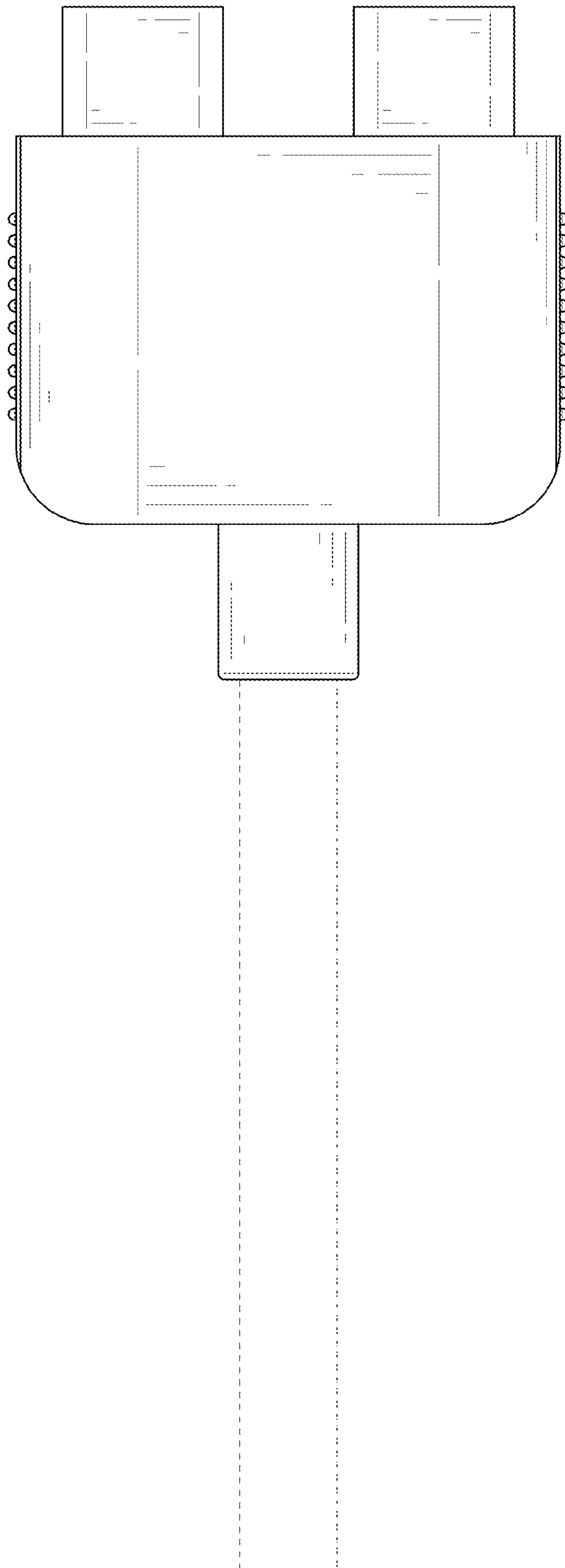


FIG. 4

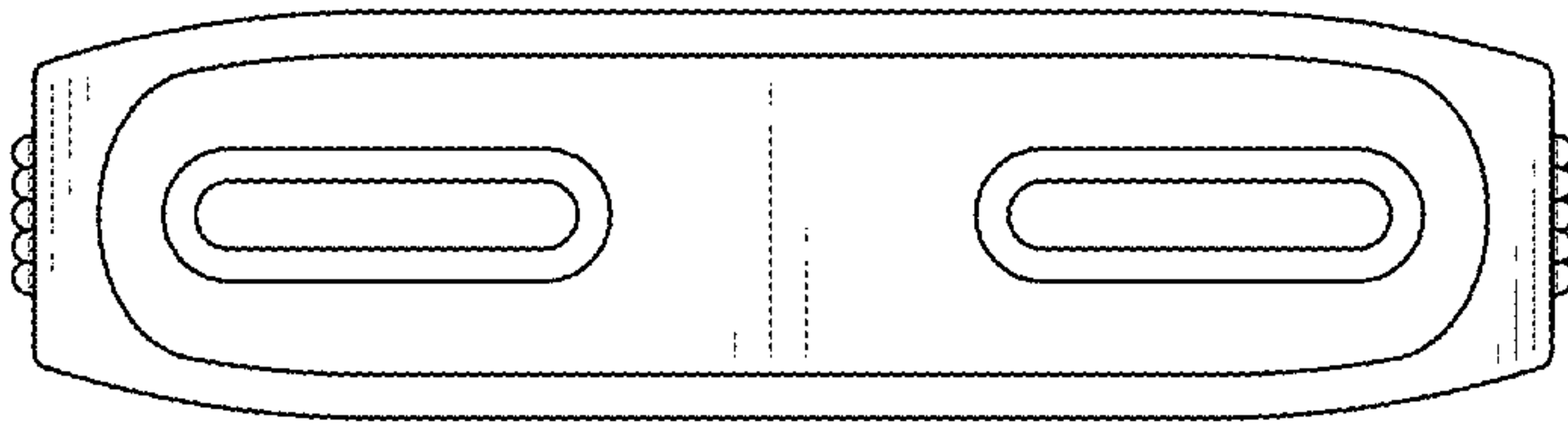


FIG. 5

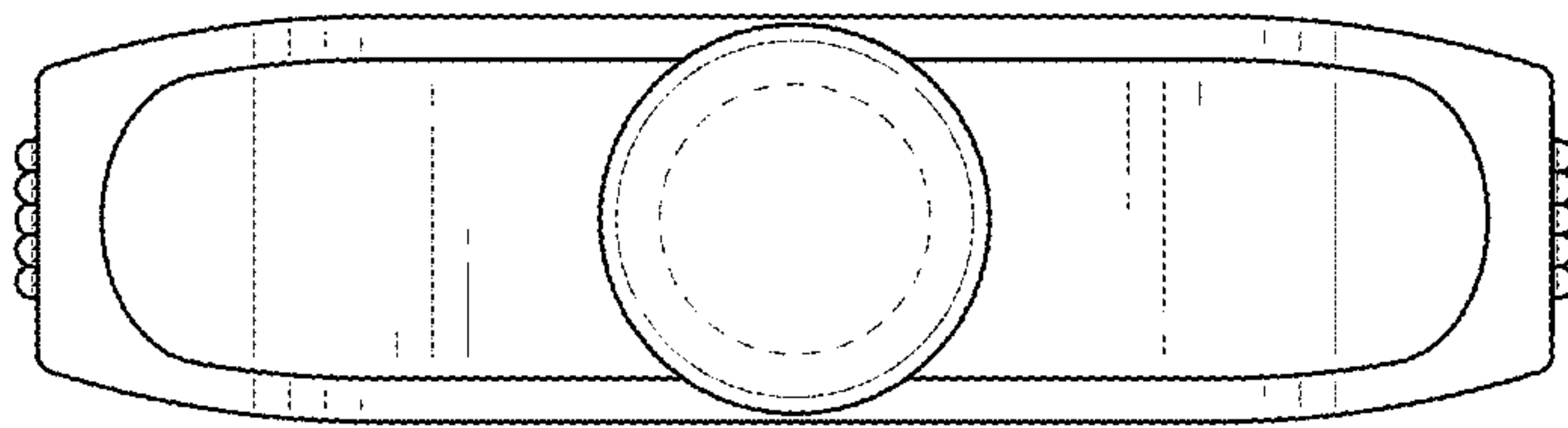


FIG. 6

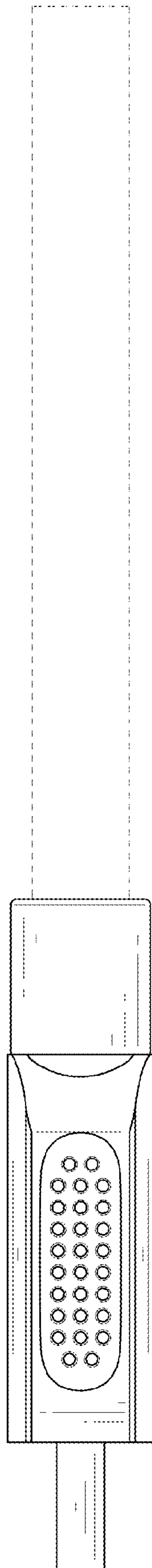


FIG. 7

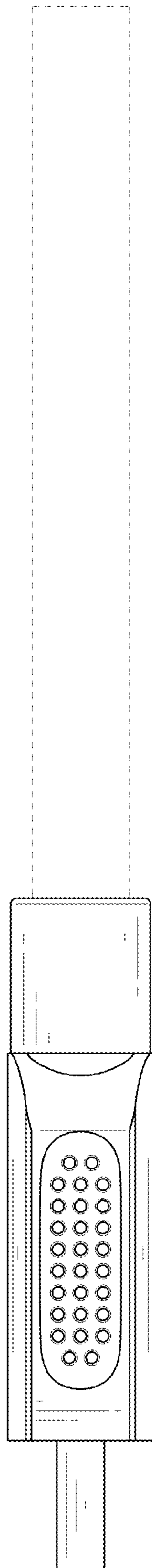


FIG. 8