



US00D945364S

(12) **United States Design Patent**
Chang et al.

(10) **Patent No.:** **US D945,364 S**
(45) **Date of Patent:** **** Mar. 8, 2022**

(54) **CHARGER**

(71) Applicant: **Quanta Computer Inc.**, Taoyuan (TW)

(72) Inventors: **Chia-Yuan Chang**, Taoyuan (TW);
Jung-Wen Chang, Taoyuan (TW);
Kao-Yu Hsu, Taoyuan (TW);
Tung-Han Lee, Taoyuan (TW)

(73) Assignee: **QUANTA COMPUTER INC.**,
Taoyuan (TW)

(**) Term: **15 Years**

(21) Appl. No.: **29/746,847**

(22) Filed: **Aug. 18, 2020**

(30) **Foreign Application Priority Data**

Jun. 22, 2020 (TW) 109303353

(51) **LOC (13) Cl.** **13-02**

(52) **U.S. Cl.**
USPC **D13/108**

(58) **Field of Classification Search**
USPC D13/103, 107, 108, 118, 119, 153, 184;
D14/142, 149, 209.1, 251, 432, 433, 434,
D14/435.1; D24/231, 232
CPC H02J 7/0044; H02J 50/00; H02J 7/02
See application file for complete search history.

(56) **References Cited**

U.S. PATENT DOCUMENTS

D718,236 S * 11/2014 Murray D13/108
D740,750 S * 10/2015 Mayden D13/108
D784,259 S * 4/2017 Huang D13/108
D797,042 S * 9/2017 Miller D13/107
D817,268 S * 5/2018 Symons D13/108
D861,602 S * 10/2019 Feng D13/108
D891,366 S * 7/2020 Xie D13/108
D900,735 S * 11/2020 He D13/108

D908,620 S * 1/2021 Akana D13/108
D911,276 S * 2/2021 Li D13/108
2017/0093198 A1* 3/2017 Graham H04B 5/0081
2020/0059114 A1* 2/2020 Langlois H02J 50/10
2020/0083726 A1* 3/2020 Kim H02J 50/00

OTHER PUBLICATIONS

“Amazon Tap Charger and Cradle”. Found online Apr. 26, 2021 at amazon.com. Reference dated Mar. 1, 2016. Retrieved from https://www.amazon.com/Amazon-Tap-Charger-and-Cradle/dp/B010EFQMPC. (Year: 2016).*

(Continued)

Primary Examiner — Kendra Leslie Hamilton

Assistant Examiner — Amanda Christensen

(74) *Attorney, Agent, or Firm* — McClure, Qualey & Rodack, LLP

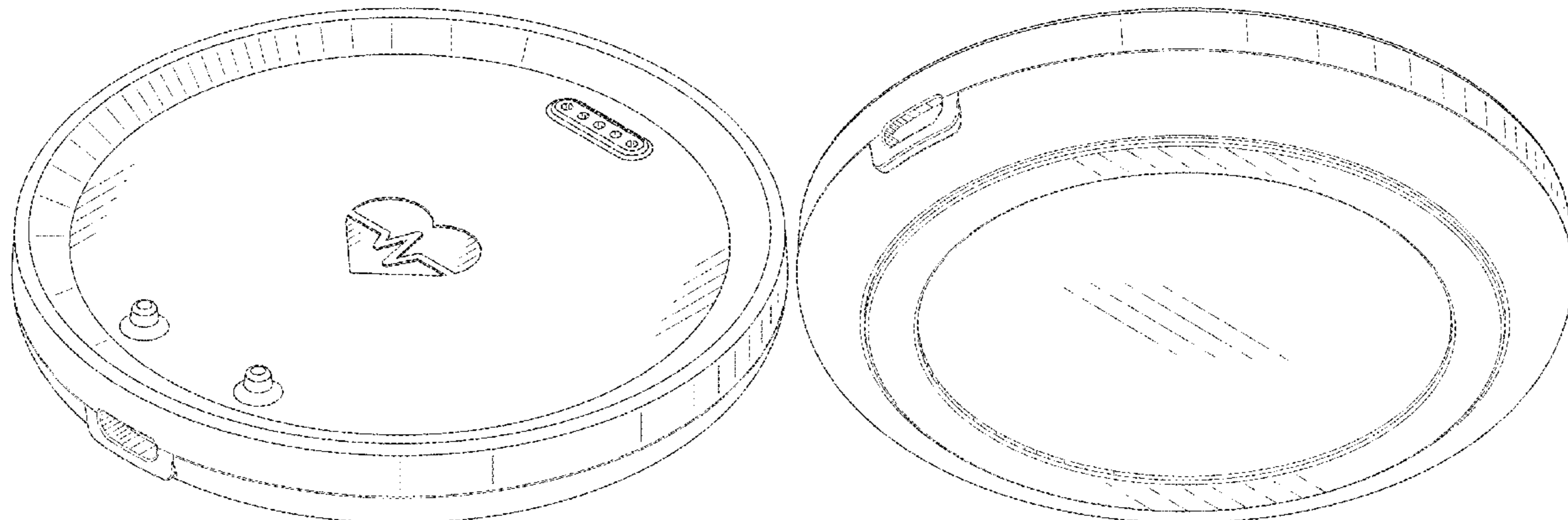
(57) **CLAIM**

The ornamental design for a charger, as shown and described.

DESCRIPTION

FIG. 1 is a front, right, bottom perspective view of a charger, showing our new design;
FIG. 2 is a front view thereof;
FIG. 3 is a rear view thereof;
FIG. 4 is a left side view thereof;
FIG. 5 is a right side view thereof;
FIG. 6 is a top plan view thereof;
FIG. 7 is a bottom plan view thereof;
FIG. 8 is a rear, right, bottom perspective view thereof;
FIG. 9 is a front, right perspective view thereof; and,
FIG. 10 is a front, right, bottom perspective view of the charger of FIG. 1, shown in a condition of use.
In FIG. 10, the broken lines depict environmental structure that forms no part of the claimed design.

1 Claim, 10 Drawing Sheets



(56)

References Cited

OTHER PUBLICATIONS

“LG Mini Portable Cradle”. Found online Apr. 26, 2021 at amazon.com. Reference dated Oct. 19, 2015. Retrieved from https://www.amazon.com/Happy-LG-Watch-Urbane-W150/dp/B016UHDLCU/ref=sr_1_ (Year: 2015).*

“Belkin Wireless Charger”. Found online Aug. 11, 2021 at amazon.com. Reference dated Apr. 10, 2019. Retrieved from <https://www.amazon.com/Belkin-Wireless-Charger-10W-Charging/dp/B07Q27Y775>. (Year: 2019).*

* cited by examiner

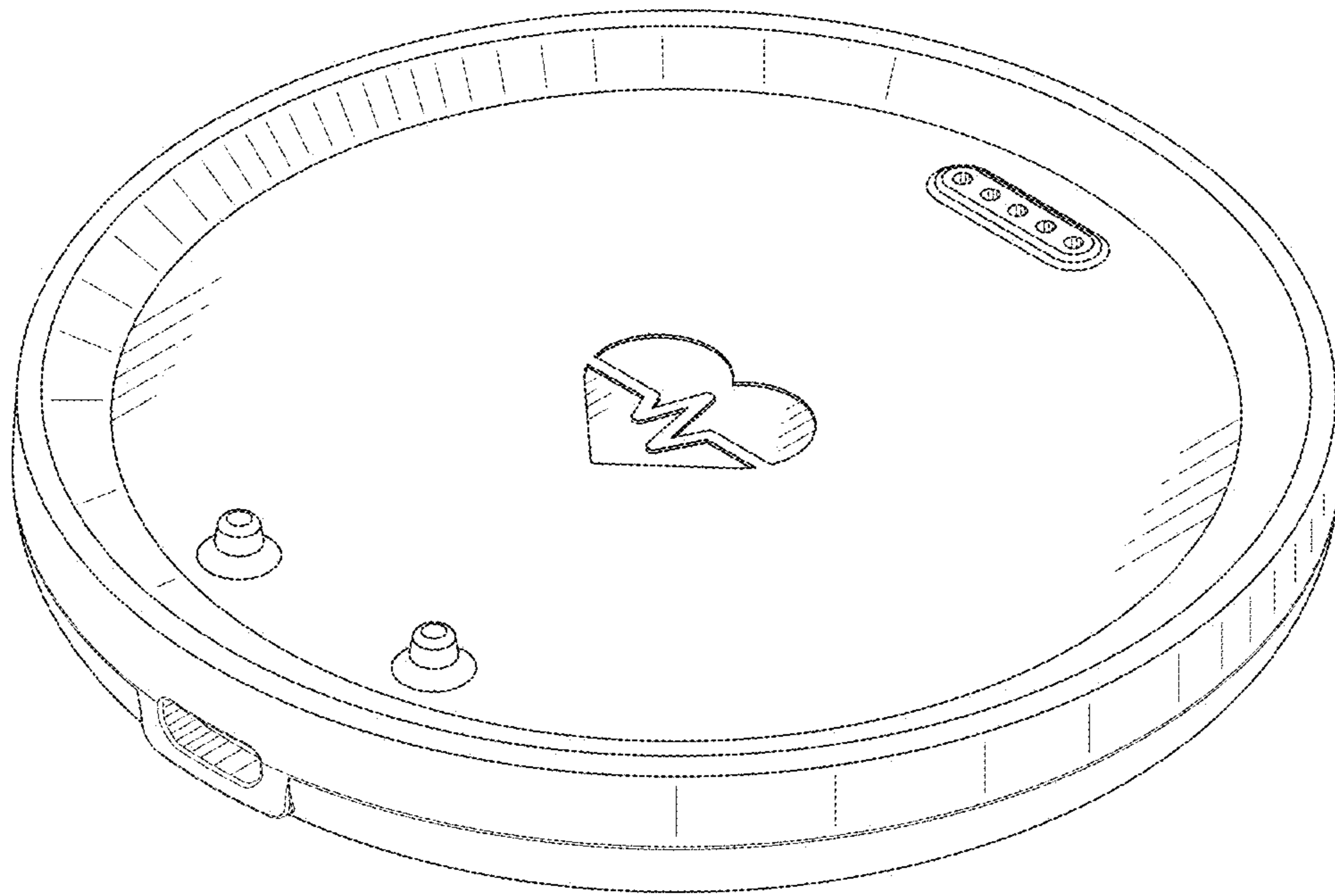


FIG. 1

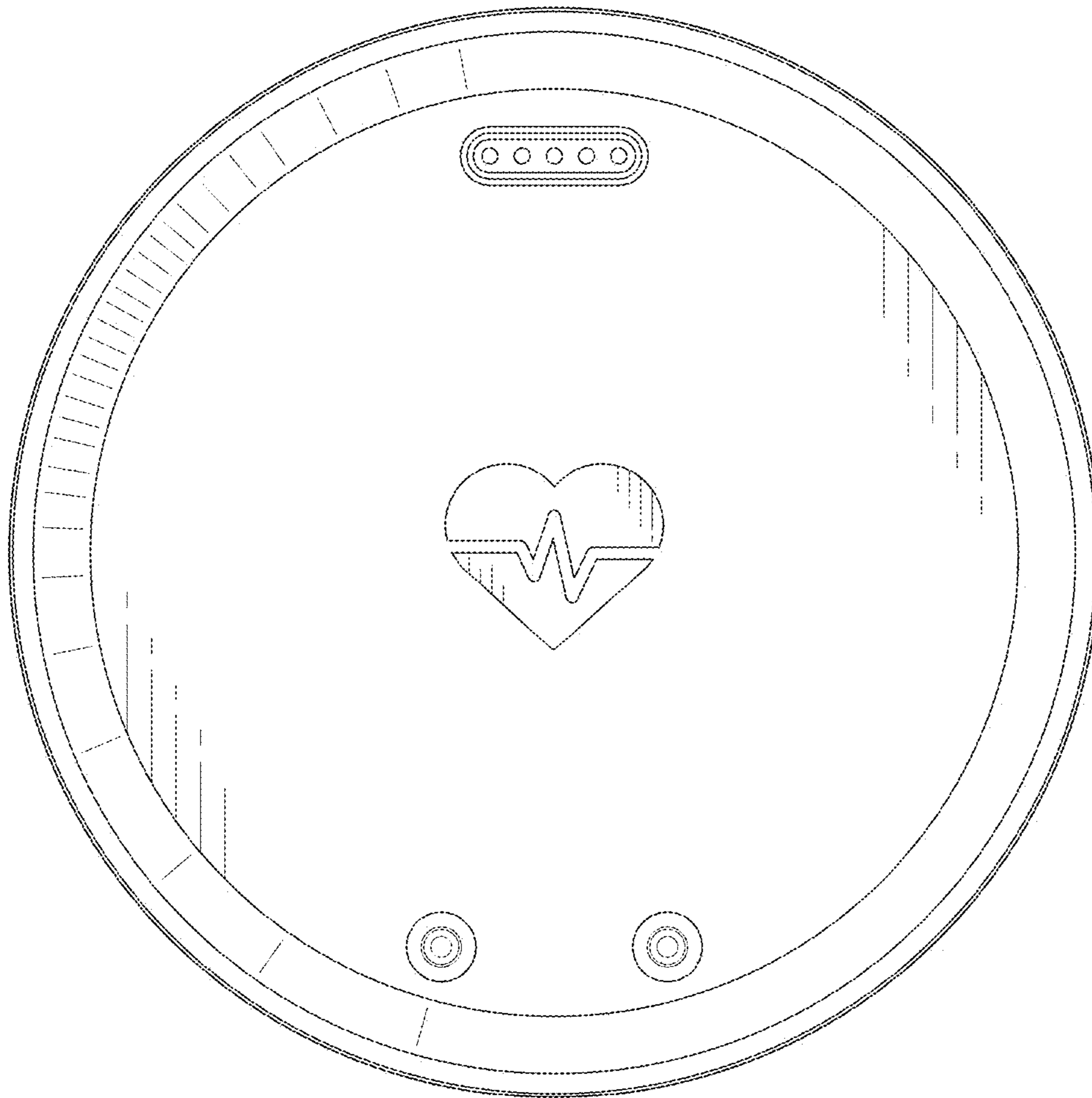


FIG. 2

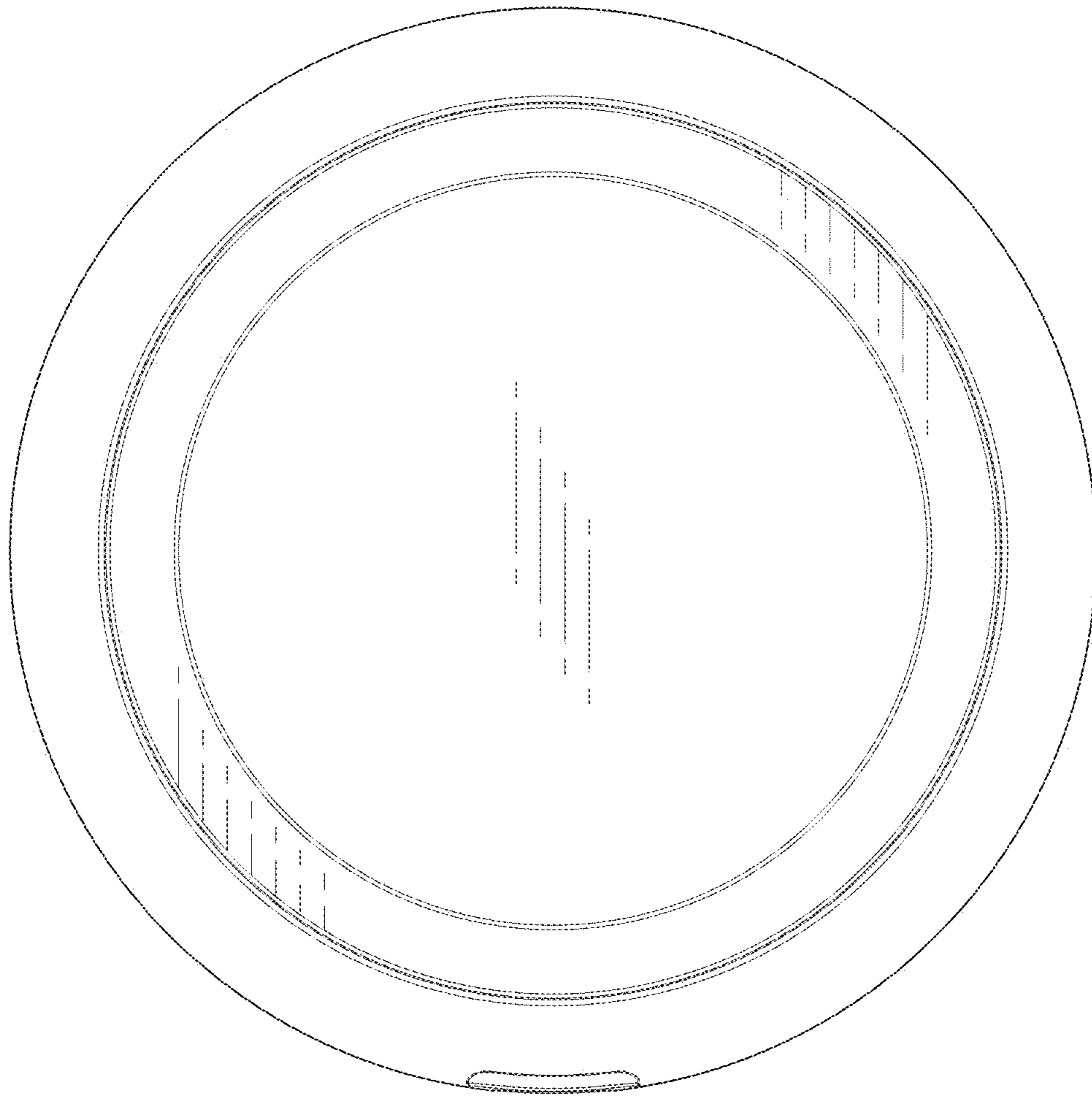


FIG. 3

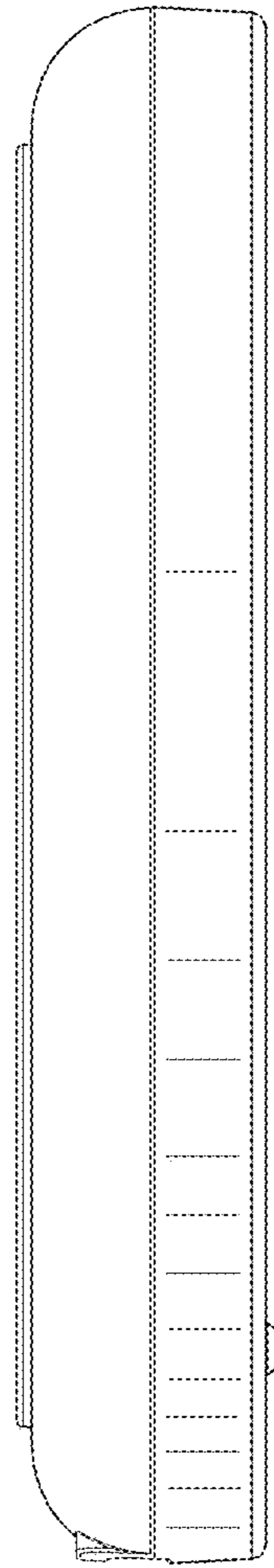


FIG. 4

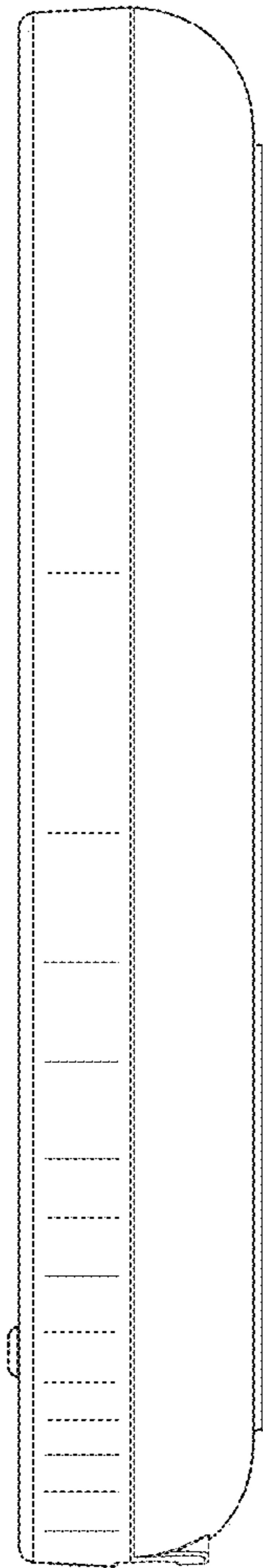


FIG. 5

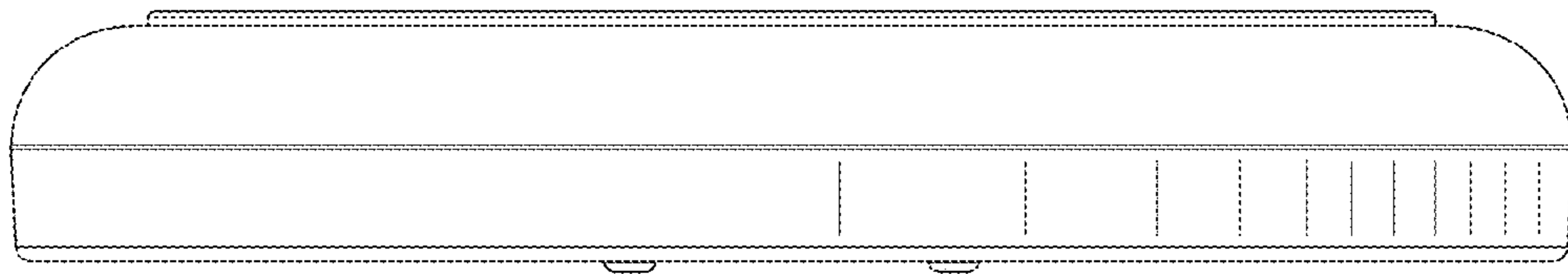


FIG. 6

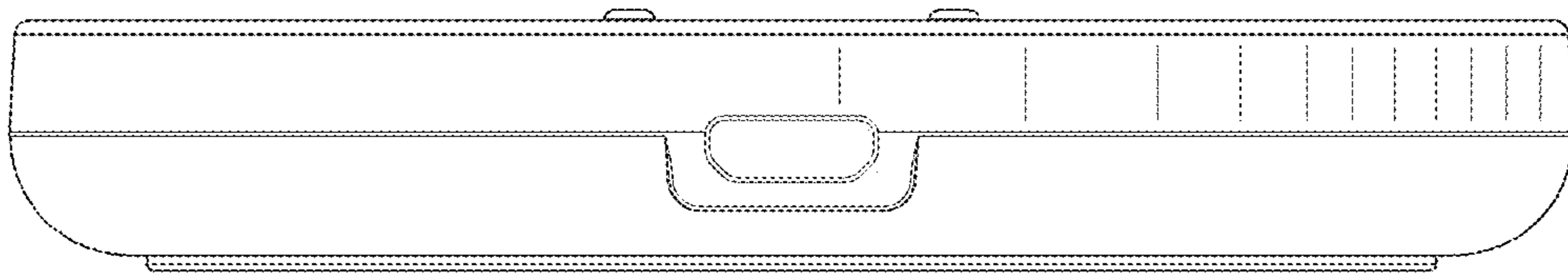


FIG. 7

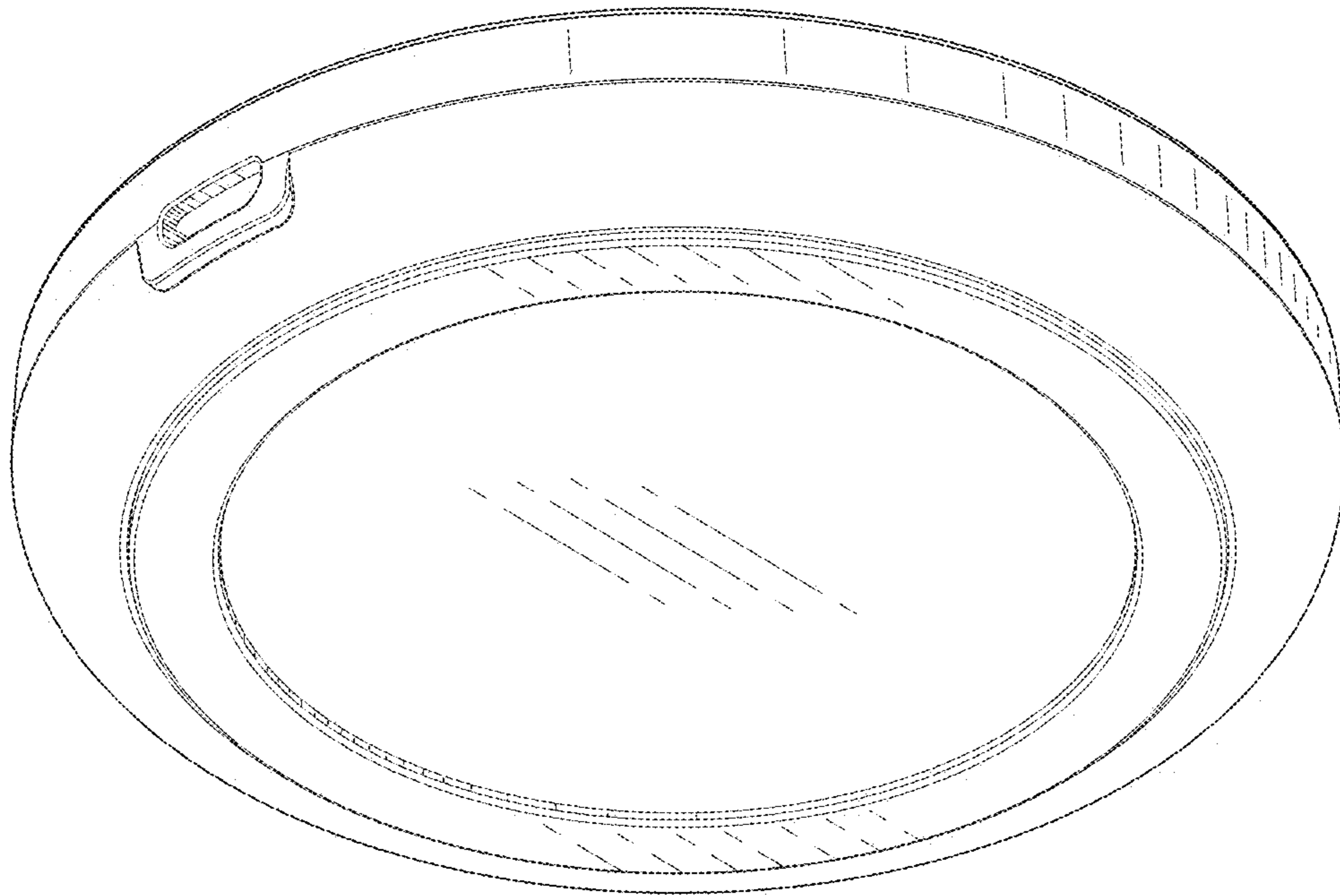


FIG. 8

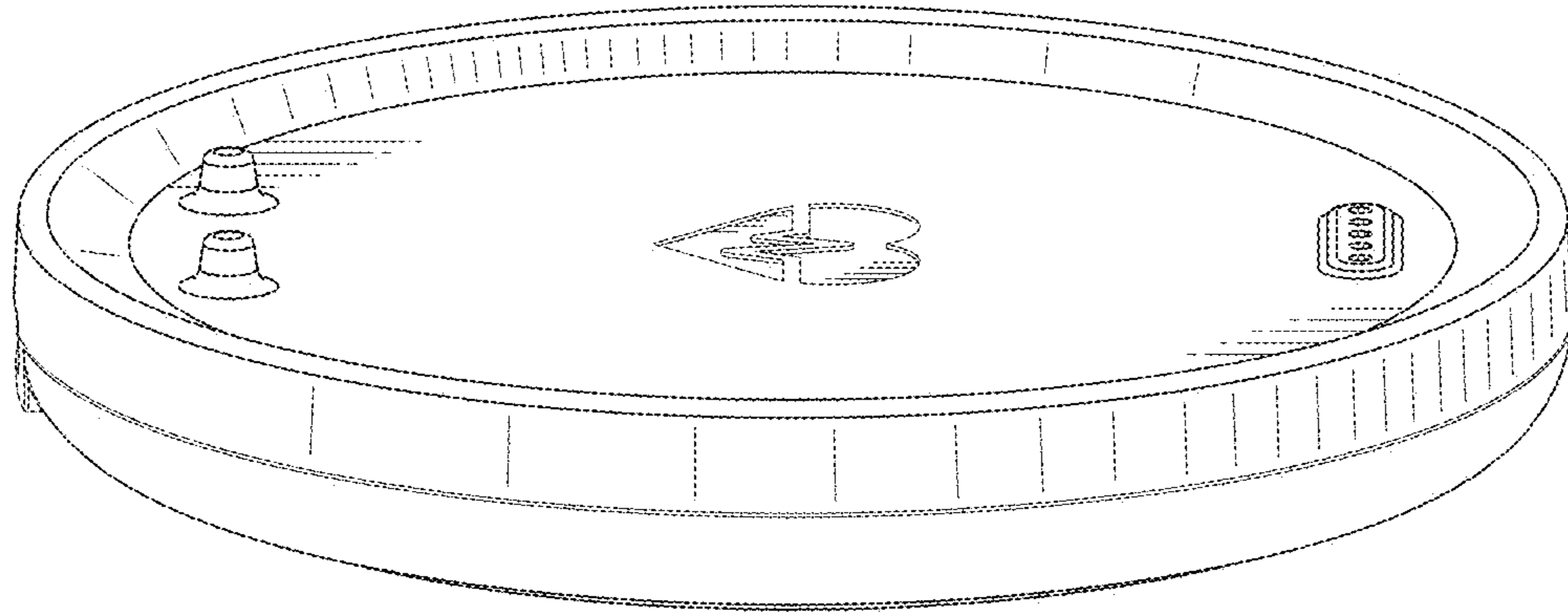


FIG. 9

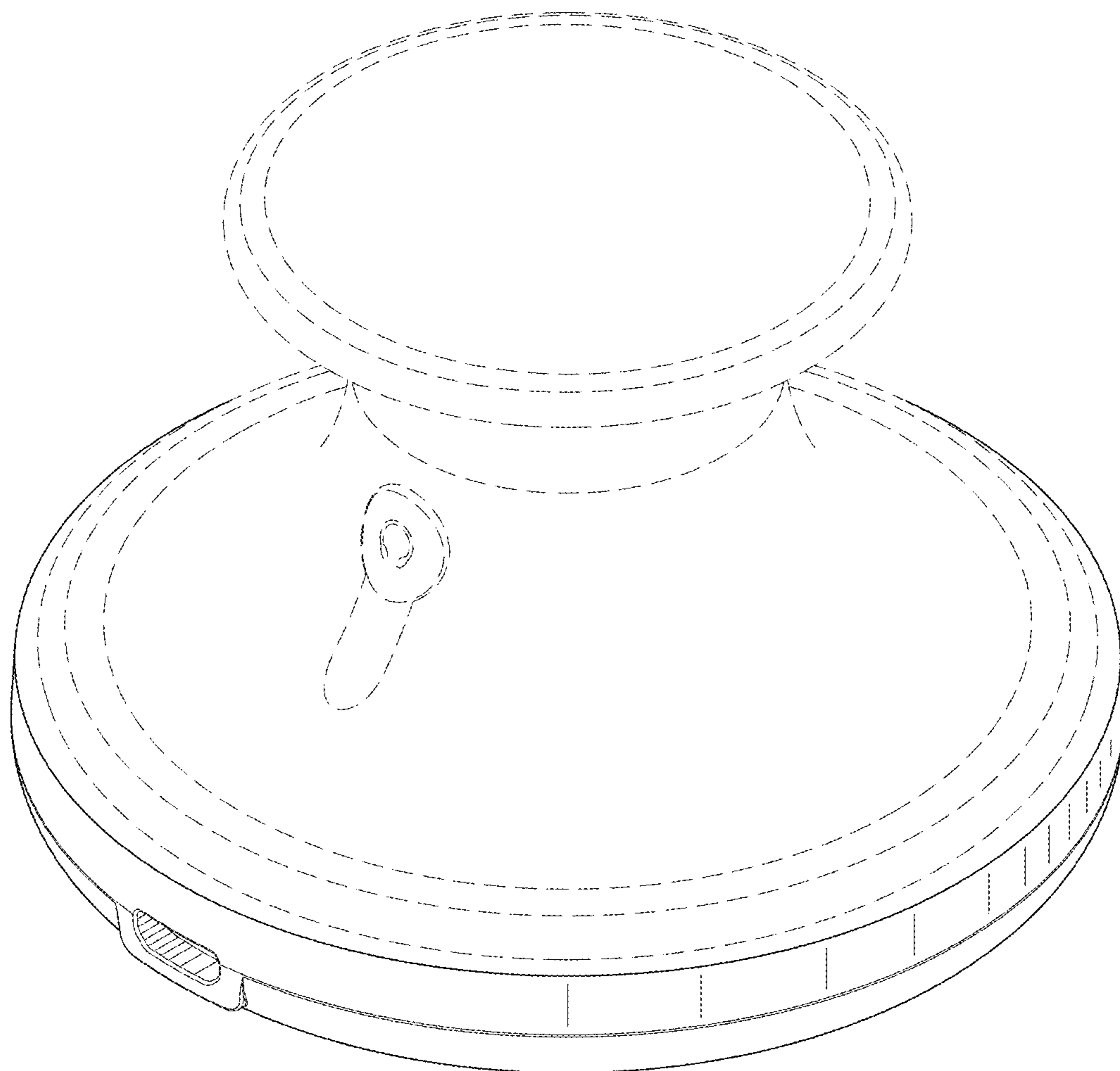


FIG. 10