



US00D945363S

(12) **United States Design Patent**
Garcia Raygoza et al.

(10) **Patent No.:** **US D945,363 S**
(45) **Date of Patent:** **** Mar. 8, 2022**

(54) **RECHARGING BAND FOR WIRELESS CLIPPERS**

(71) Applicants: **Bernardo Garcia Raygoza**, Fletcher, NC (US); **Maria Guadalupe Alvarez**, Hendersonville, NC (US)

(72) Inventors: **Bernardo Garcia Raygoza**, Fletcher, NC (US); **Maria Guadalupe Alvarez**, Hendersonville, NC (US)

(**) Term: **15 Years**

(21) Appl. No.: **29/733,486**

(22) Filed: **May 4, 2020**

(51) **LOC (13) Cl.** **13-02**

(52) **U.S. Cl.**
USPC **D13/108**

(58) **Field of Classification Search**
USPC D13/103, 107, 108, 110, 118, 119, 184,
D13/199; D14/300, 432, 433, 434;
D28/44, 52, 54
CPC H02J 50/00; H02J 15/00; H02J 7/0044;
H05K 5/00
See application file for complete search history.

(56) **References Cited**

U.S. PATENT DOCUMENTS

3,129,995	A *	4/1964	Brown	H01R 12/67 439/417
D274,903	S *	7/1984	Eckmann	D13/107
5,014,115	A *	5/1991	Moser	H01L 23/66 257/659
5,197,899	A *	3/1993	Akeda	H01R 13/5221 439/271
D381,338	S *	7/1997	Johansson	D14/253
5,943,836	A *	8/1999	Kassardjian	E04C 5/161 52/301
D549,648	S *	8/2007	McNabb	D13/110
D600,944	S *	9/2009	McConnell	D6/675

D631,006	S *	1/2011	Fahrendorff	D13/108
D685,323	S *	7/2013	Szymanski	D13/108
D827,594	S *	9/2018	Shim	D13/184
D885,404	S *	5/2020	Lee	D14/447
2020/0052513	A1 *	2/2020	Zhan	H01R 13/2414

OTHER PUBLICATIONS

“Arlo Charging Station”. Found online Jun. 30, 2021 at lowes.com. Reference dated Apr. 1, 2017. Retrieved from <https://www.lowes.com/pd/Arlo-Arlo-Pro-Charging-Station-White-Charging-Station/1000213141>. (Year: 2017).*

(Continued)

Primary Examiner — Kendra Leslie Hamilton

Assistant Examiner — Amanda Christensen

(74) *Attorney, Agent, or Firm* — Dale J. Ream

(57) **CLAIM**

The ornamental design for a recharging band for wireless clippers, as shown and described.

DESCRIPTION

FIG. 1 is a top, front, left side perspective view of a recharging band for wireless clippers showing our new design;

FIG. 2 is a top, front, left side perspective view thereof;

FIG. 3 is a front view thereof;

FIG. 4 is a back view thereof;

FIG. 5 is a left side view thereof;

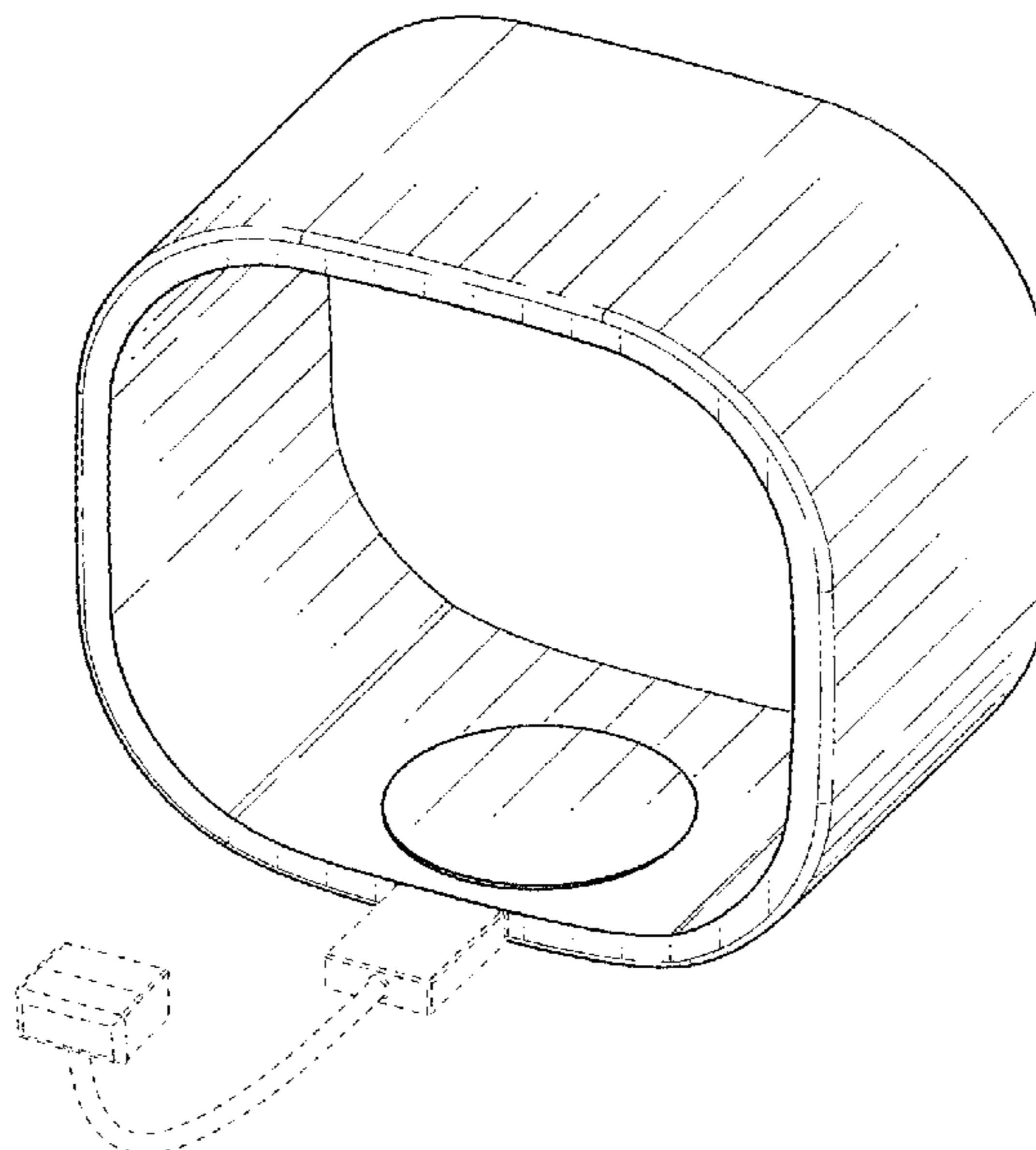
FIG. 6 is a right side view thereof;

FIG. 7 is a top view thereof; and,

FIG. 8 is a bottom view thereof.

In the drawings, the broken lines depict environment subject matter that form no part of the claimed design. The broken line showing a port in FIG. 3 depicts a portion of the recharging band for wireless clippers that forms no part of the claimed design.

1 Claim, 5 Drawing Sheets



(56)

References Cited

OTHER PUBLICATIONS

“Square Ring”. Found online Jul. 2, 2021 at facebook.com. Reference dated Dec. 5, 2018. Retrieved from <https://www.facebook.com/urbanolivedesign/photos/a.1991768224388535/2279834288915259/?type=3&theater>. (Year: 2018).*

“Square Cylinder”. Found online Jul. 2, 2021 at youtube.com. Reference dated Jul. 1, 2016. Retrieved from <https://www.youtube.com/watch?v=SKpOKXAVjGo>. (Year: 2016).*

* cited by examiner

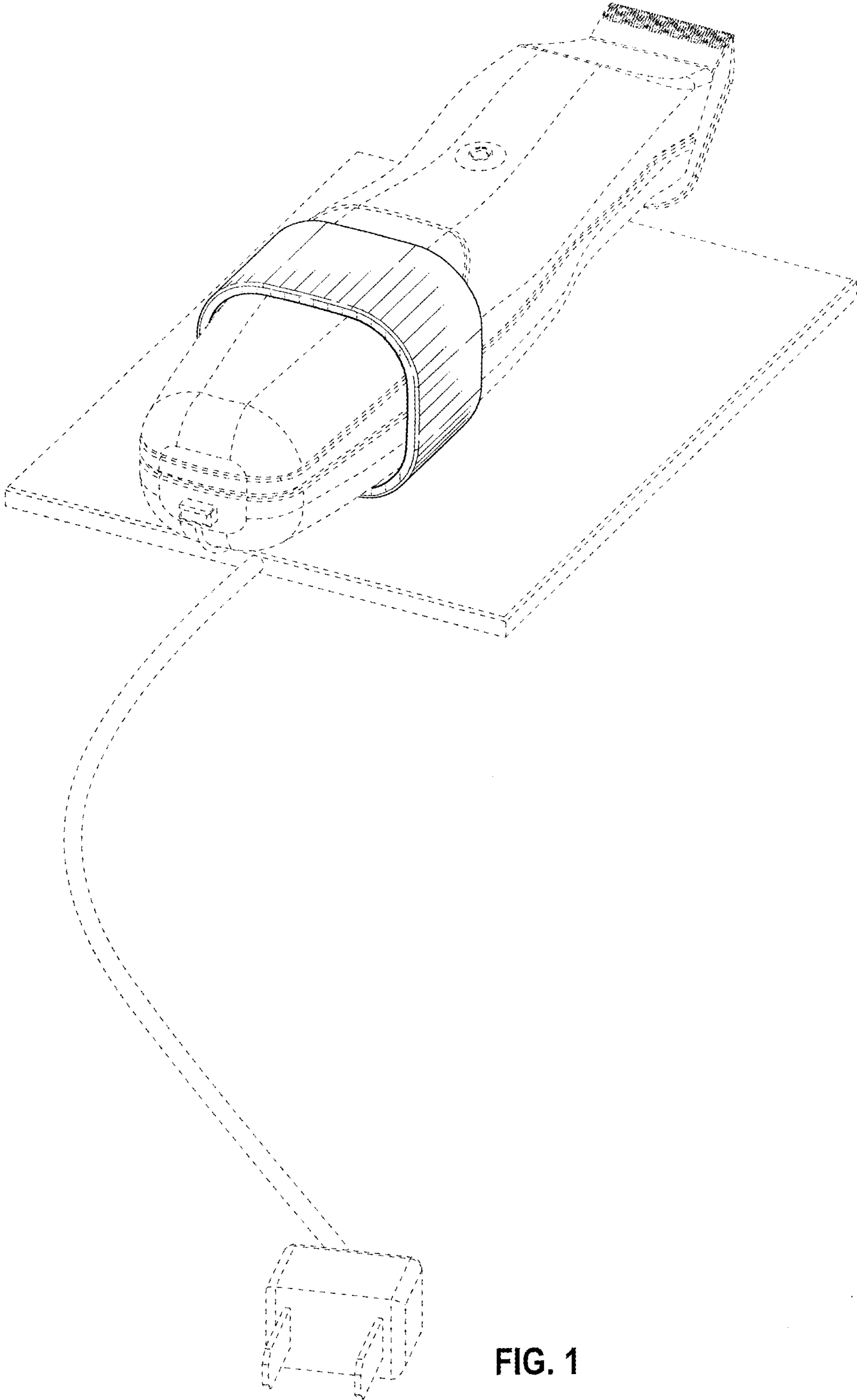


FIG. 1

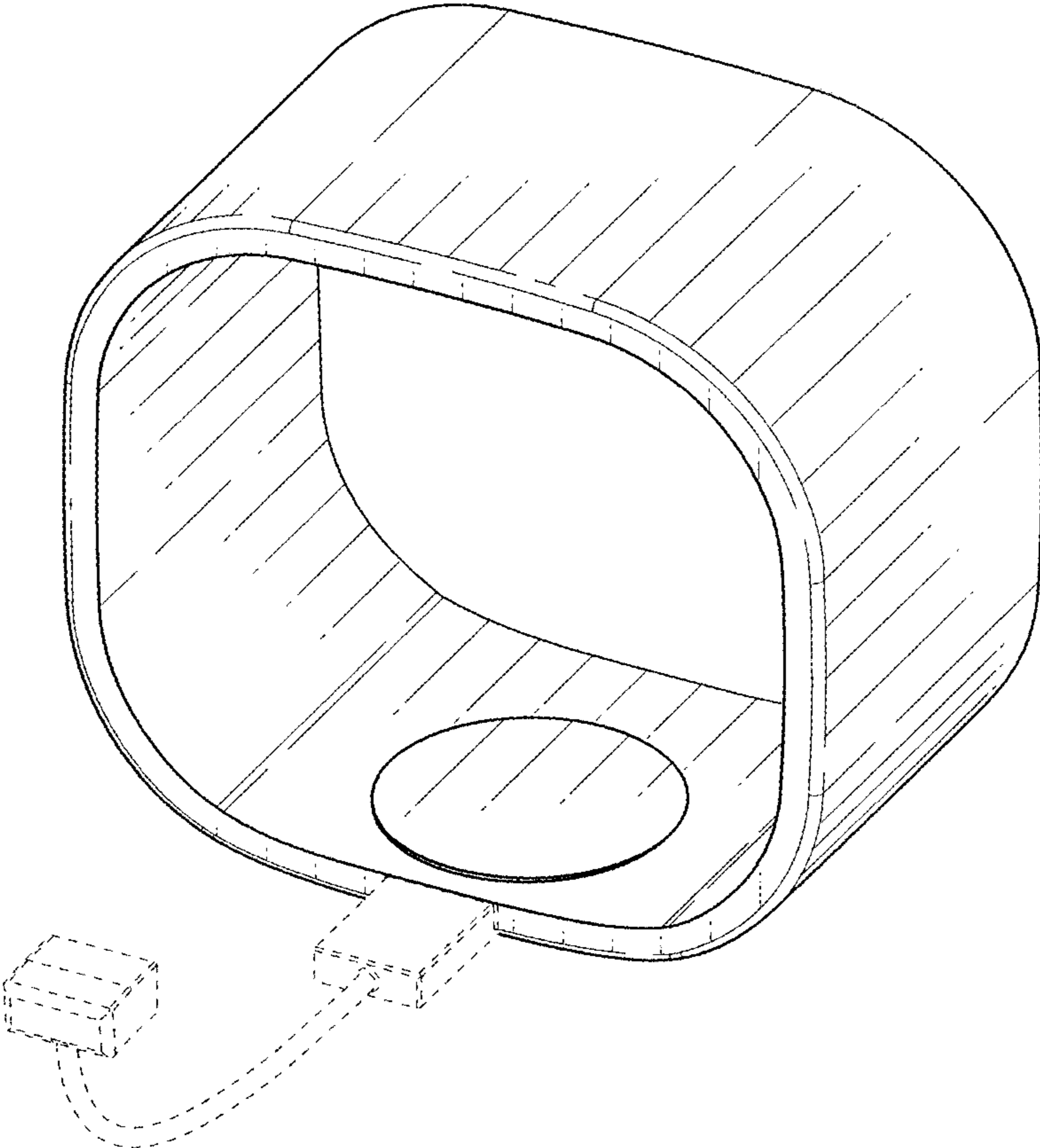


FIG. 2

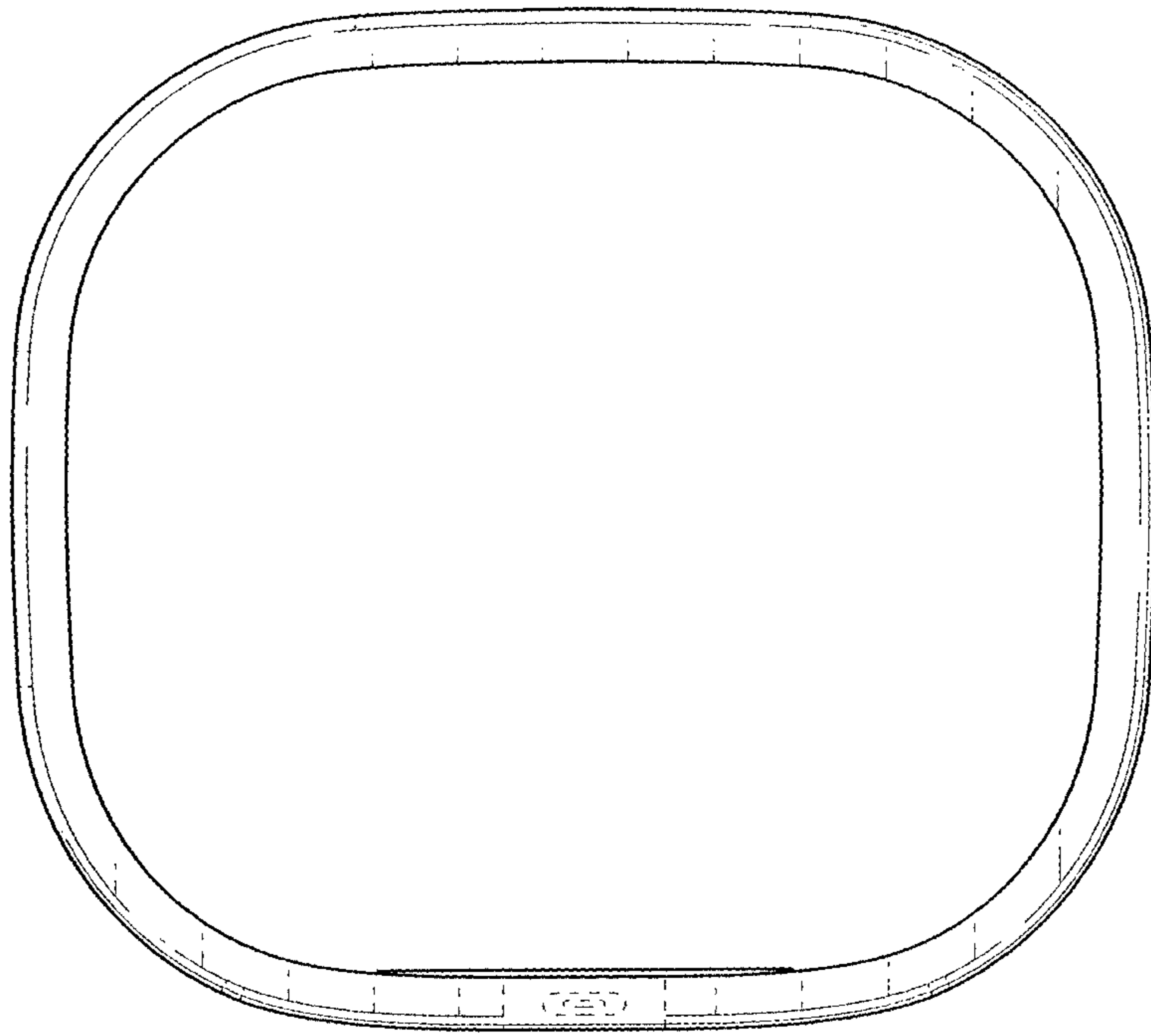


FIG. 3

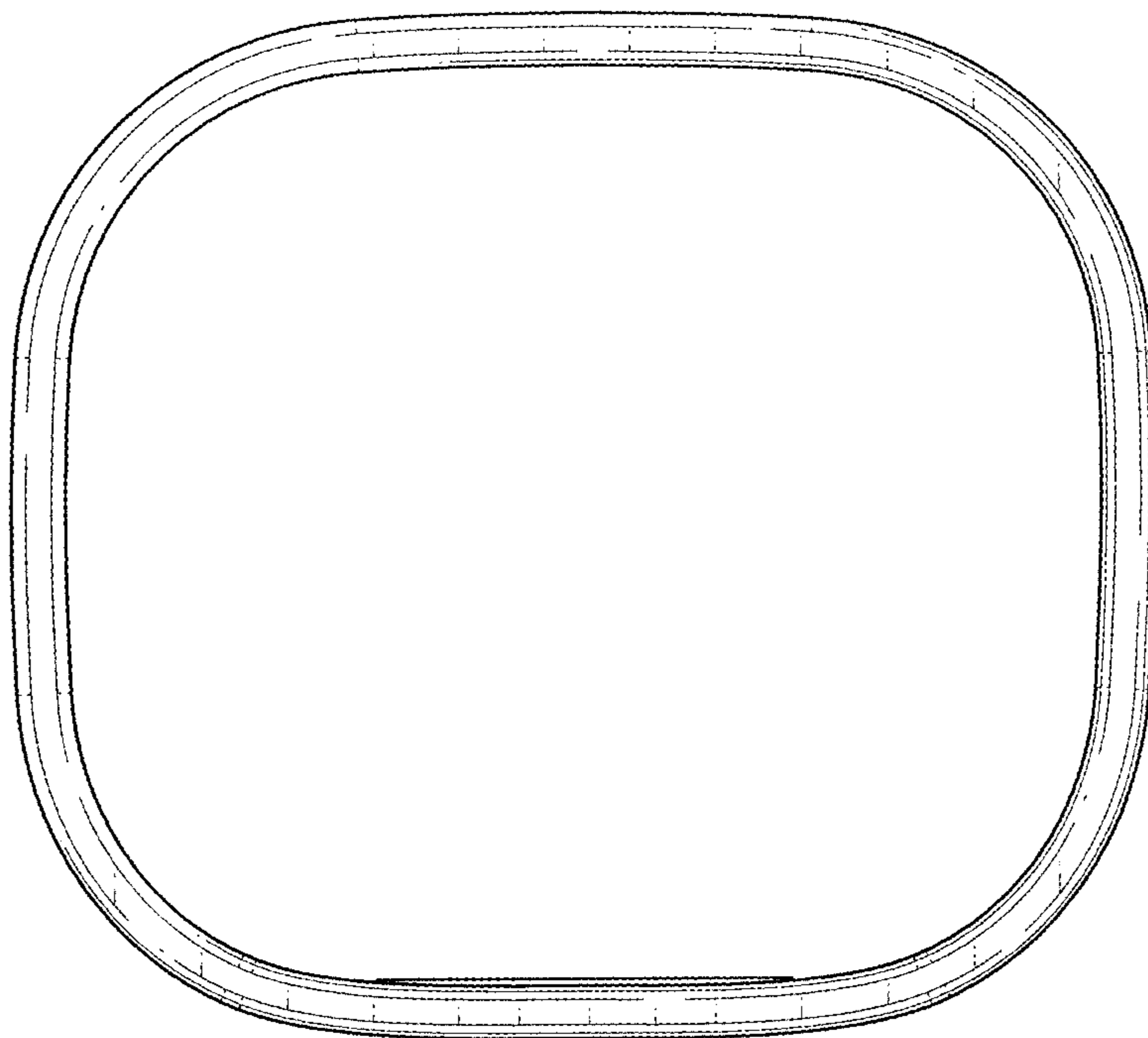


FIG. 4

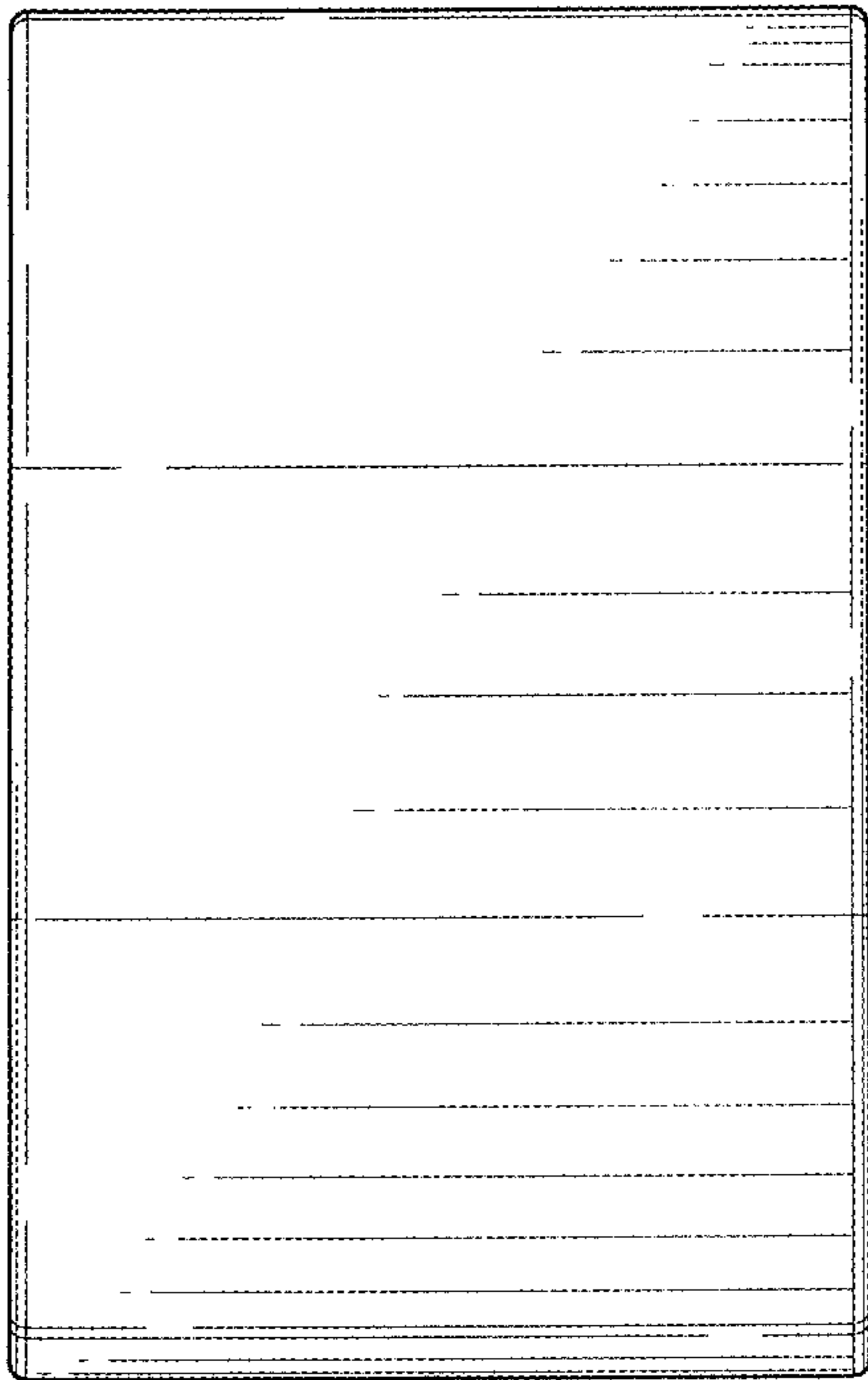


FIG. 5

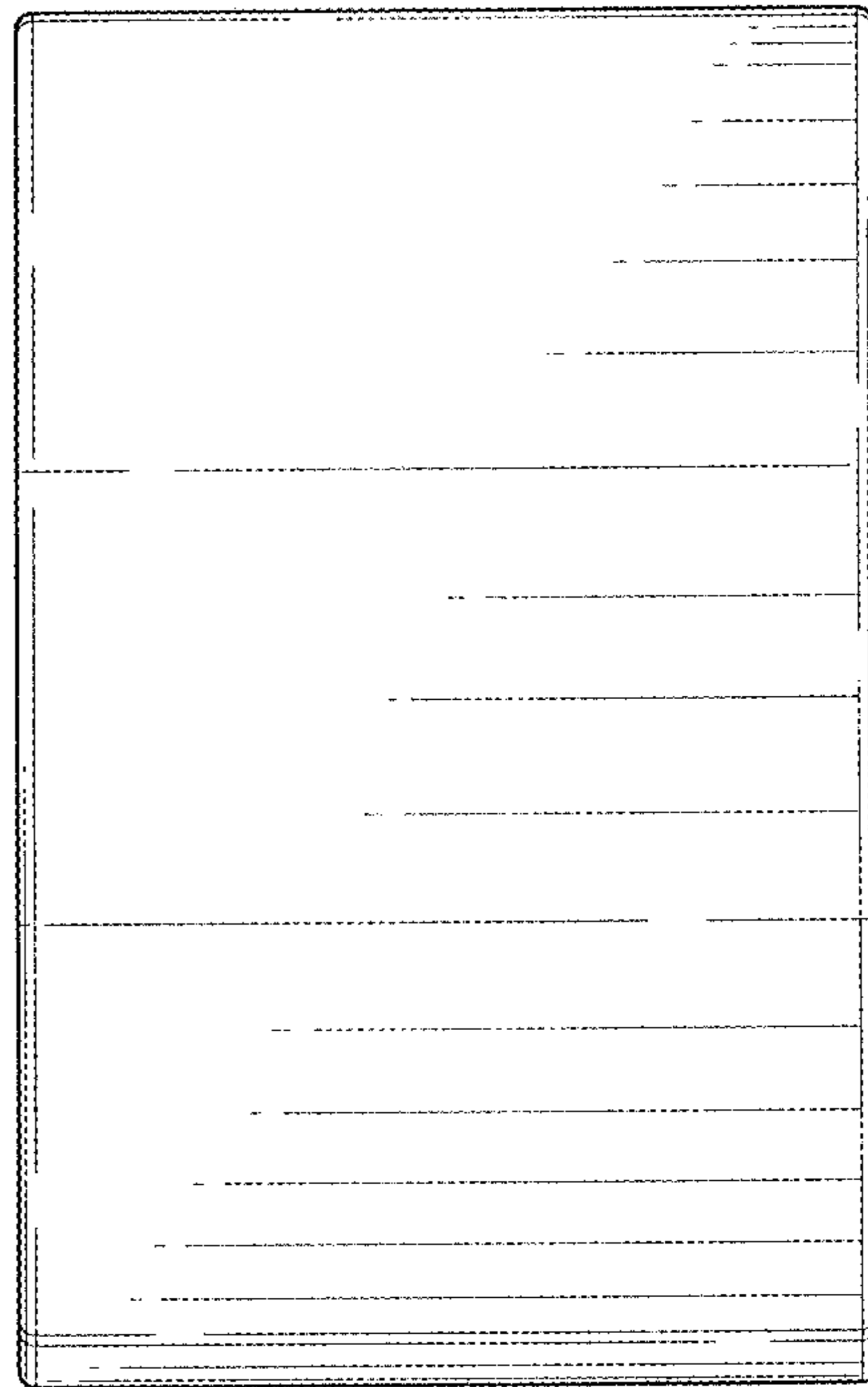


FIG. 6

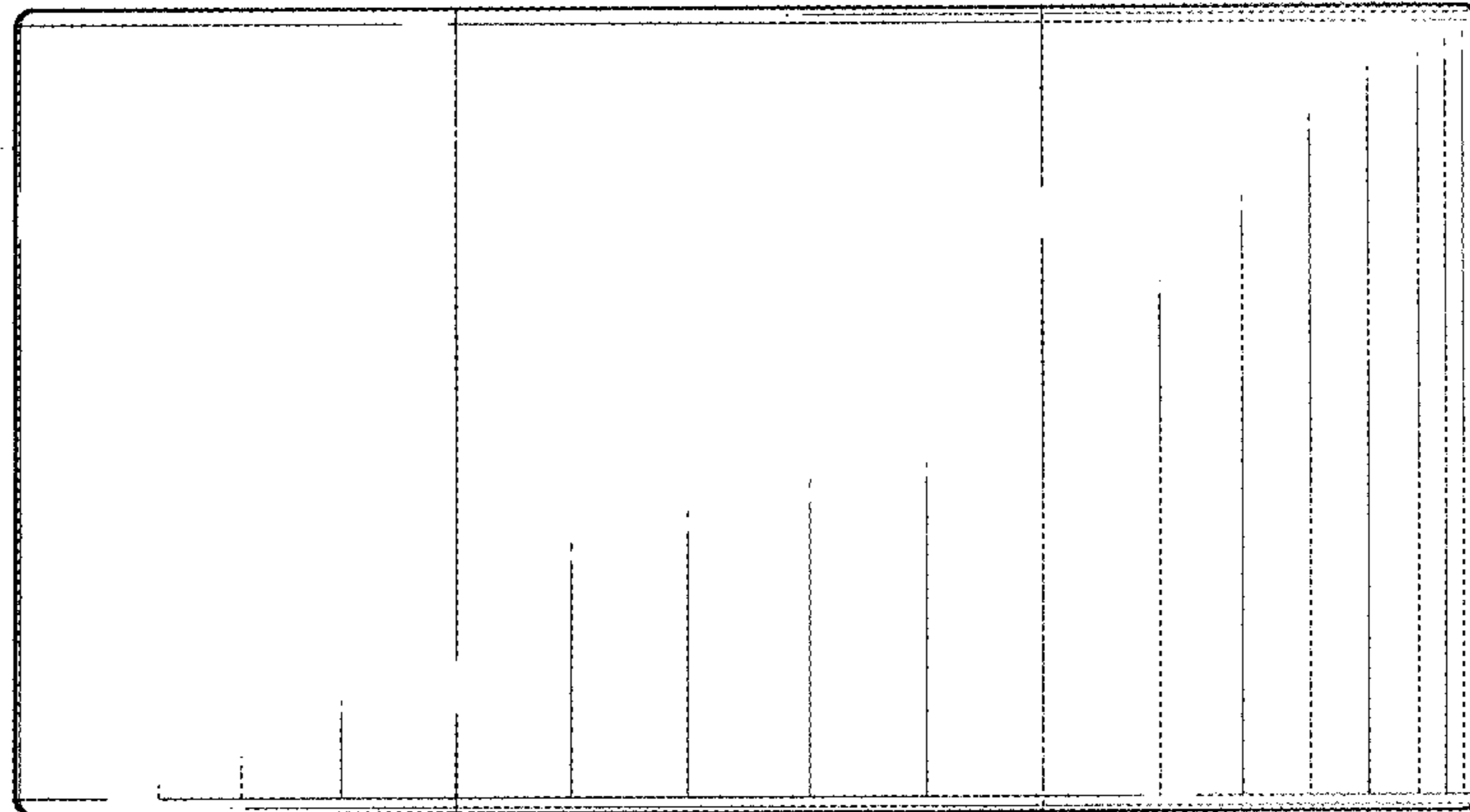


FIG. 7

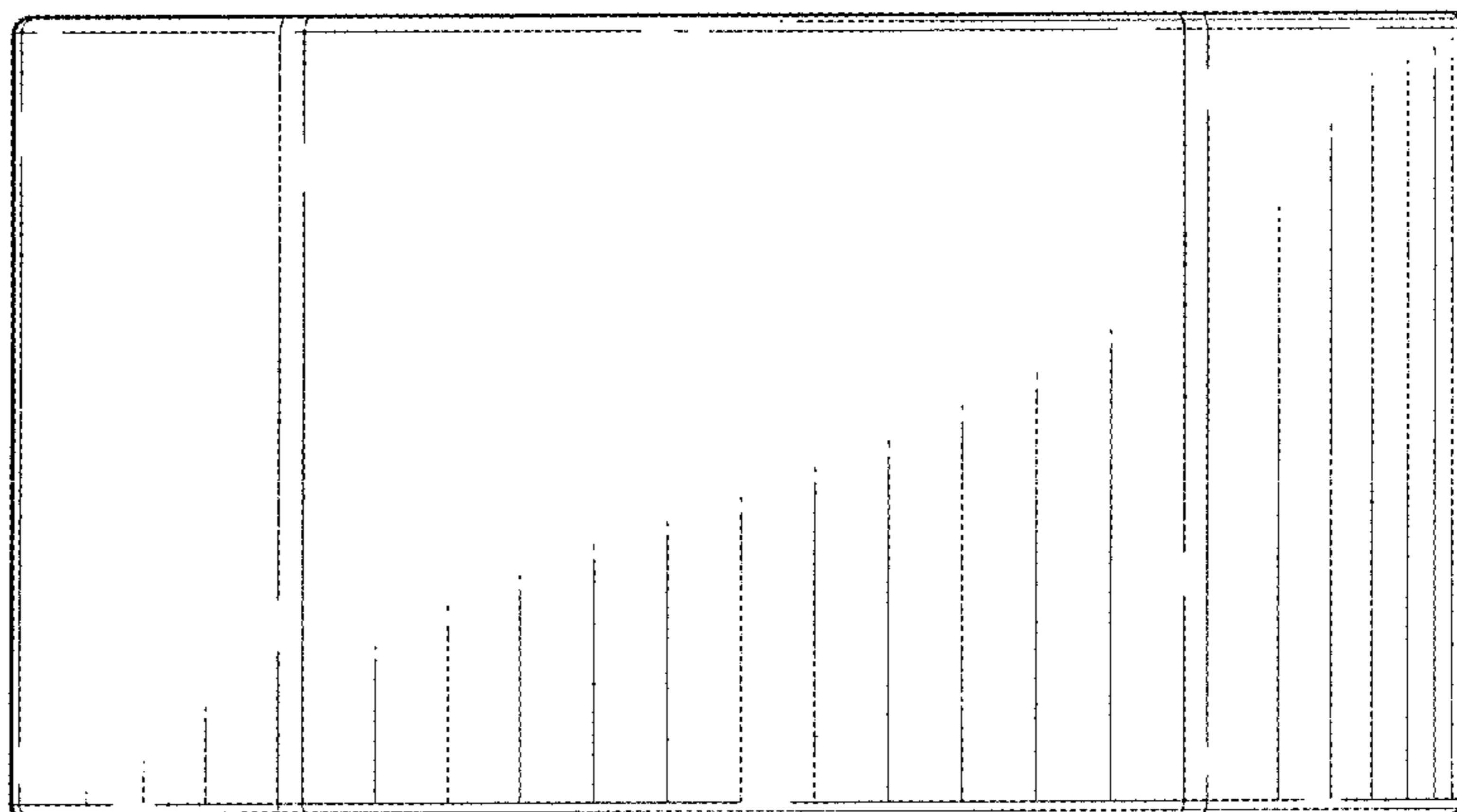


FIG. 8