



US00D945362S

(12) **United States Design Patent**  
**Sun et al.**

(10) **Patent No.:** **US D945,362 S**

(45) **Date of Patent:** **\*\* Mar. 8, 2022**

(54) **CHARGING TERMINAL**

(71) Applicant: **NIO CO., LTD.**, Shanghai (CN)

(72) Inventors: **Chuangcheng Sun**, Shanghai (CN);  
**Kechao Li**, Shanghai (CN)

(73) Assignee: **NIO CO., LTD.**, Shanghai (CN)

(\*\*) Term: **15 Years**

(21) Appl. No.: **29/700,478**

(22) Filed: **Aug. 2, 2019**

(30) **Foreign Application Priority Data**

Feb. 3, 2019 (CN) ..... 201930060996.9

(51) **LOC (13) Cl.** ..... **13-02**

(52) **U.S. Cl.**

USPC ..... **D13/108**

(58) **Field of Classification Search**

USPC ..... D13/103, 107-110, 118, 119, 146, 147,  
D13/153, 155, 184, 199, 154, 133

CPC ..... Y02E 60/12; H02J 7/025; H02J 7/0042;  
H02J 7/0044; H02J 7/0045; H02J 7/0003;  
H02J 7/0027; H02J 7/0013; H02J 7/0054;  
H02J 7/00; H02J 2001/008; H02J 3/32;  
H02J 3/008; H01F 38/14; H01R 13/6675;  
H01M 2/1022; H01M 2/1055; H01M  
10/44; H01M 10/46; H01M 10/425; B60L  
11/182; B60L 11/1809; B60L 11/1861;  
B60R 16/03

See application file for complete search history.

(56) **References Cited**

**U.S. PATENT DOCUMENTS**

D538,222 S \* 3/2007 Curello ..... D13/103  
D748,052 S \* 1/2016 Behar ..... D13/107

D864,112 S \* 10/2019 Chen ..... D13/110  
D870,034 S \* 12/2019 Lai ..... D13/103  
D876,341 S \* 2/2020 Tomasson ..... D13/107  
D881,806 S \* 4/2020 Schmidt ..... D13/107  
D885,332 S \* 5/2020 Han ..... D13/108  
D900,023 S \* 10/2020 Derouineau ..... D13/107  
D912,619 S \* 3/2021 Visser-de Lange ..... D13/107  
D922,314 S \* 6/2021 Helnerus ..... D13/107  
D922,942 S \* 6/2021 Huhne ..... D13/107  
2011/0145141 A1 \* 6/2011 Blain ..... G06Q 20/10  
705/39

**OTHER PUBLICATIONS**

Web.archive.org: Nio Power Charger. Archive date of May 7, 2019.  
Retrieved from the internet at <web.archive.org/web/20190507092933/  
https://www.nio.com/nio-power>, Dec. 3, 2020. 2 pages. (Year:  
2019).\*

\* cited by examiner

*Primary Examiner* — Christy Nemeth

(74) *Attorney, Agent, or Firm* — Sheridan Ross P.C.

(57)

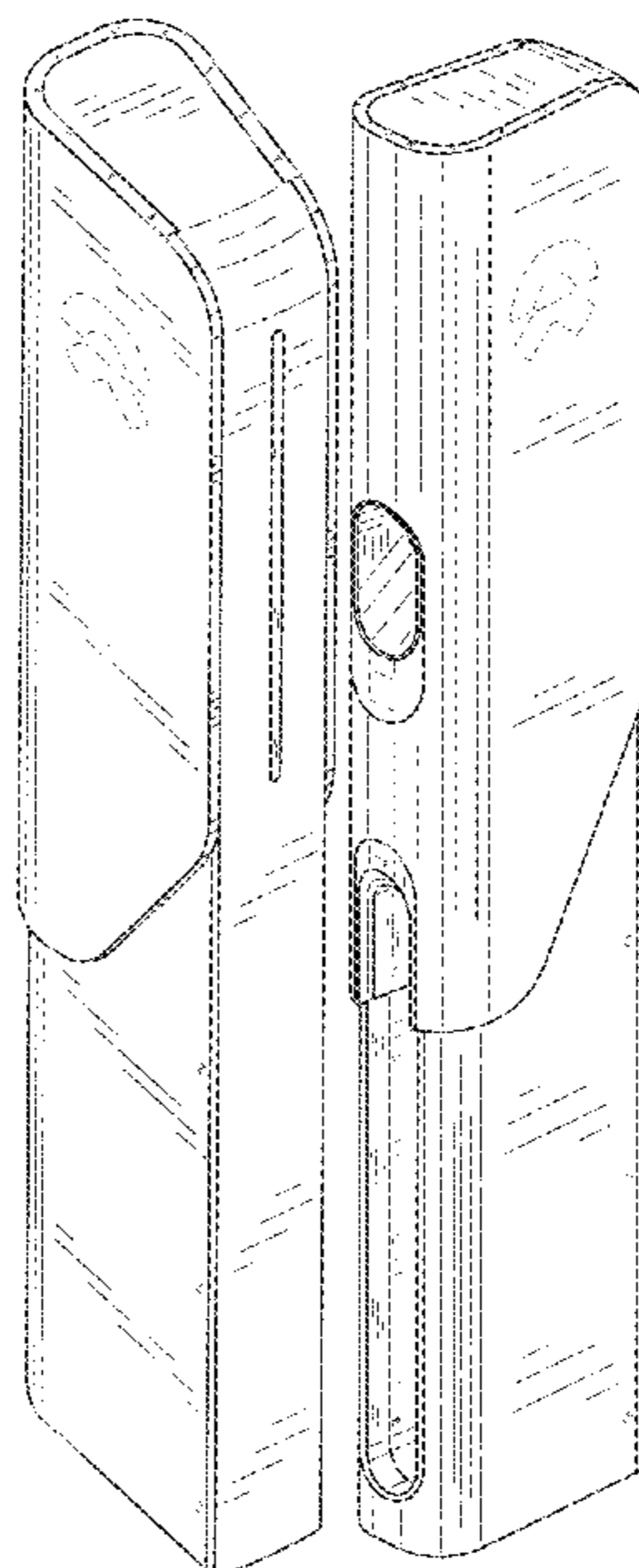
**CLAIM**

The ornamental design for a charging terminal, as shown  
and described.

**DESCRIPTION**

FIG. 1 is a front perspective view of the charging terminal;  
FIG. 2 is a rear perspective view of the charging terminal;  
FIG. 3 is a front view of the charging terminal;  
FIG. 4 is a rear view of the charging terminal;  
FIG. 5 is a left view of the charging terminal;  
FIG. 6 is a right view of the charging terminal; and,  
FIG. 7 is a top view of the charging terminal.  
The broken lines in the drawings illustrate portions of the  
article that form no part of the claim.

**1 Claim, 7 Drawing Sheets**



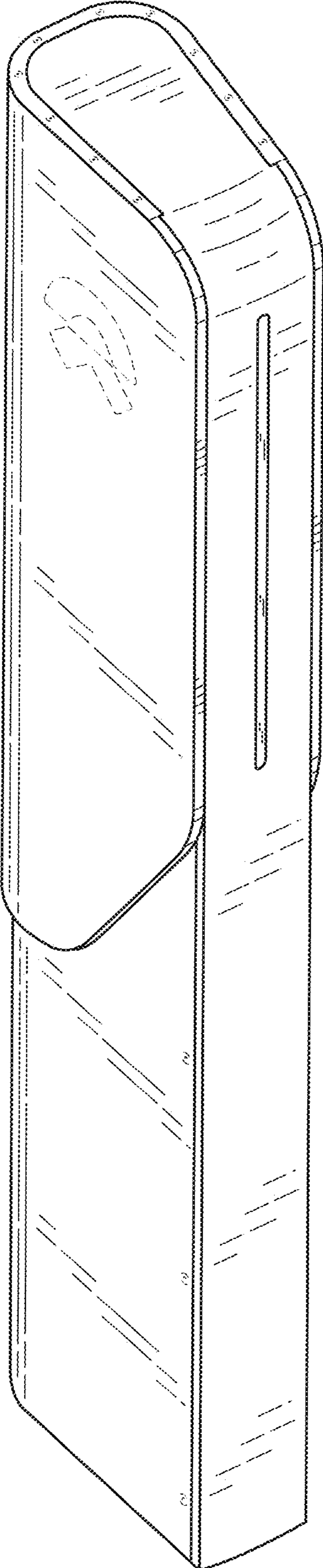


FIG.1

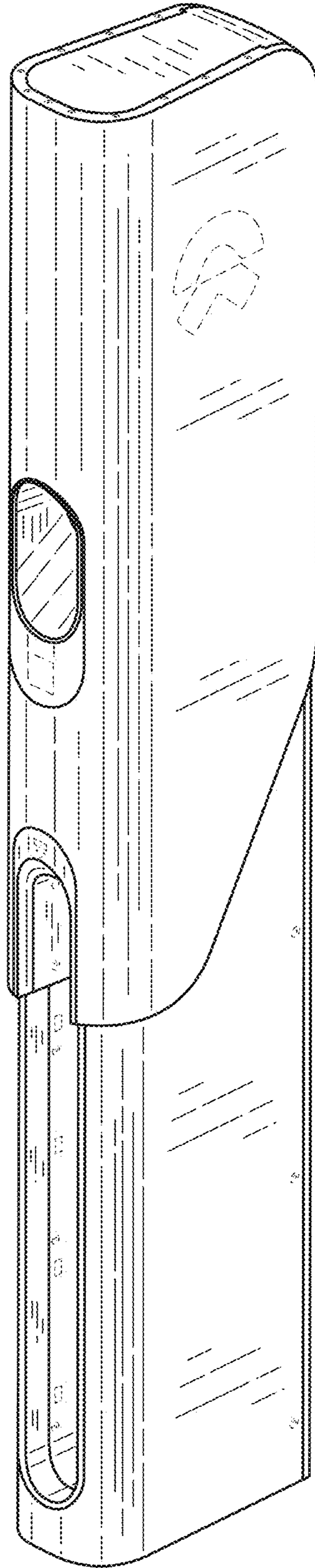


FIG.2

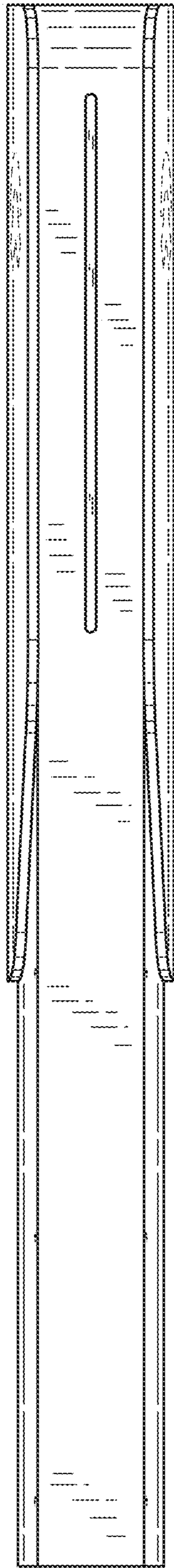


FIG.3

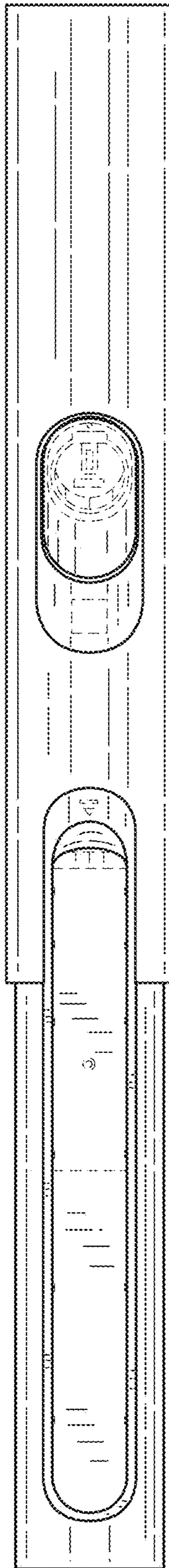


FIG.4

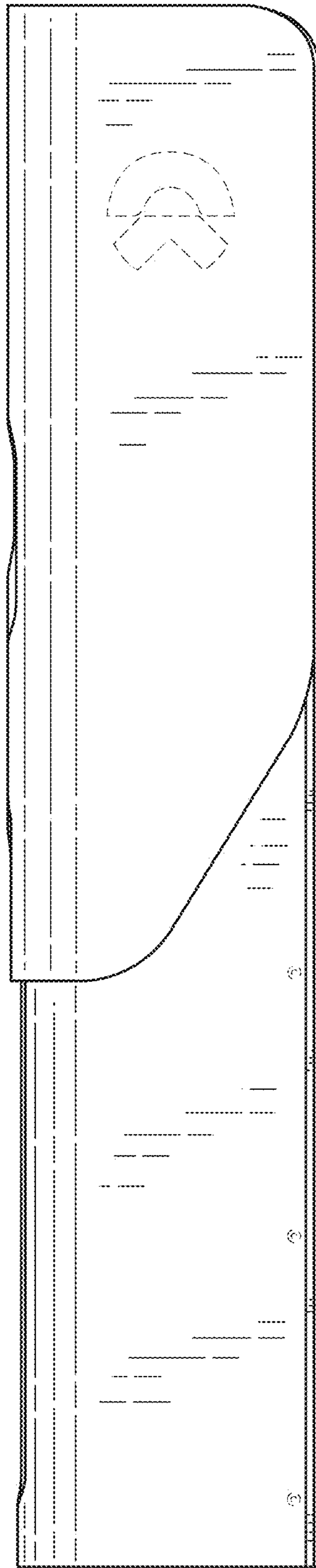


FIG.5

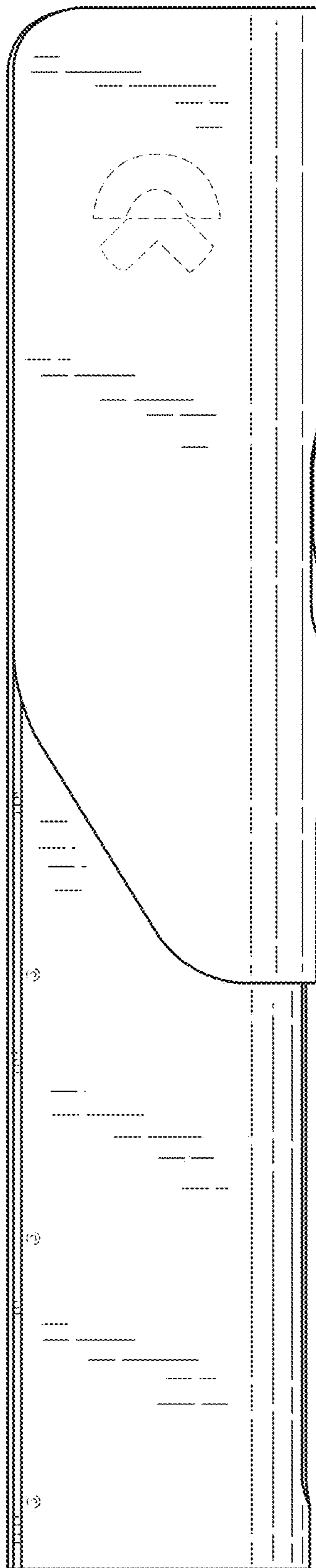


FIG.6

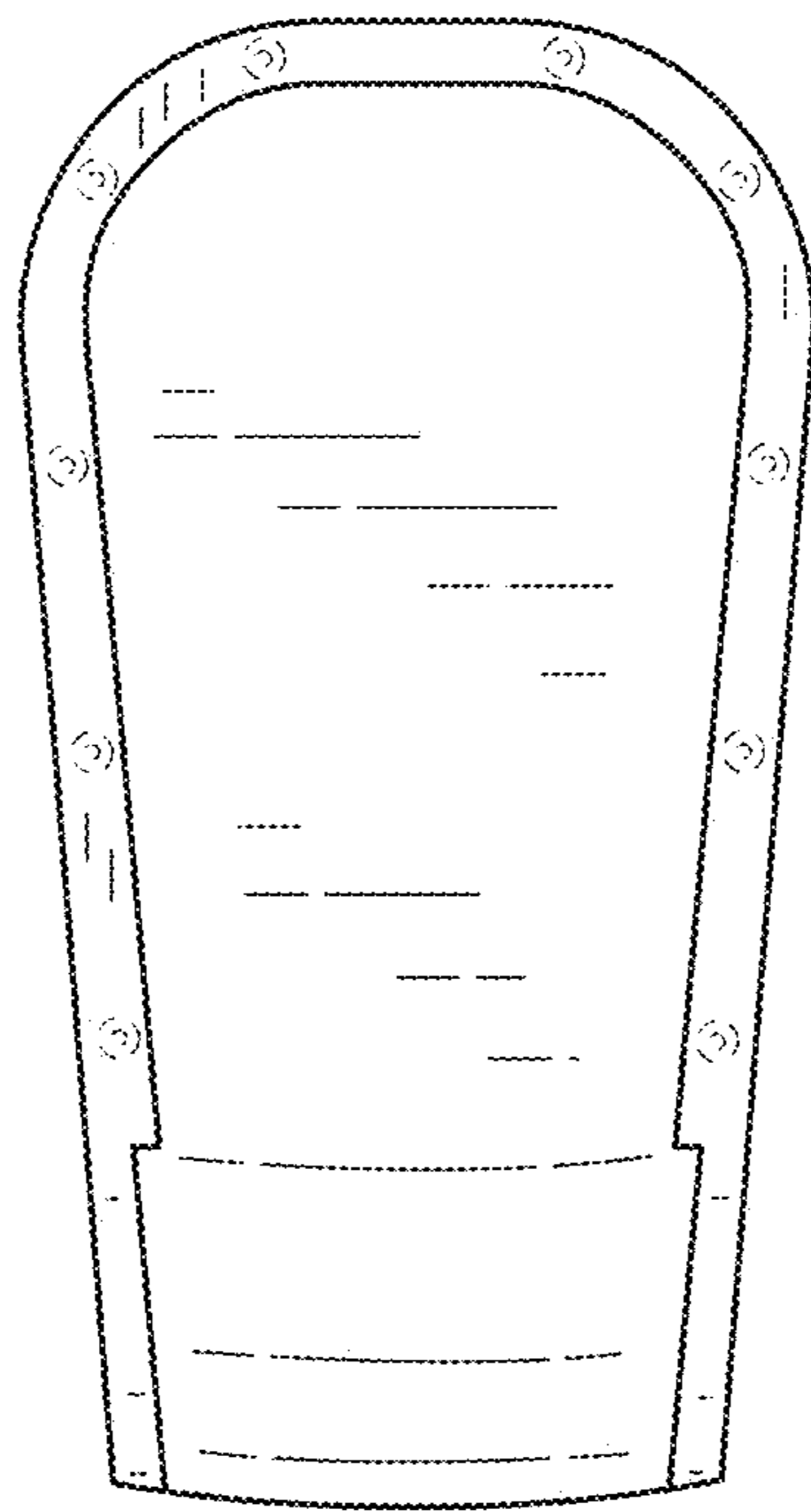


FIG.7