



US00D945360S

(12) **United States Design Patent**  
**Cao**

(10) **Patent No.:** **US D945,360 S**  
(45) **Date of Patent:** **\*\* Mar. 8, 2022**

(54) **BATTERY BOX**

(71) Applicant: **ZHONGRUI GREEN ENERGY TECHNOLOGY (SHENZHEN) CO. LTD**, Shenzhen (CN)

(72) Inventor: **Jinwei Cao**, Shenzhen (CN)

(73) Assignee: **ZHONGRUI GREEN ENERGY TECHNOLOGY (SHENZHEN) CO. LTD**, Shenzhen (CN)

(\*\*) Term: **15 Years**

(21) Appl. No.: **29/782,504**

(22) Filed: **May 7, 2021**

(30) **Foreign Application Priority Data**

Apr. 15, 2021 (CN) ..... 202130215109.8

(51) **LOC (13) Cl.** ..... **13-02**

(52) **U.S. Cl.**  
USPC ..... **D13/103; D13/119**

(58) **Field of Classification Search**  
USPC ..... D13/103-106, 110, 118-119, 184, 199  
CPC ..... H01M 10/0413; H01M 10/0445; H01M 10/0436; H01M 10/05; H01M 10/052; H01M 50/10; H01M 50/103; H01M 50/20; H01M 50/204; H01M 50/209; H01M 50/258

See application file for complete search history.

(56) **References Cited**

**U.S. PATENT DOCUMENTS**

D298,616 S \* 11/1988 Aschbacher ..... D13/110  
D326,200 S \* 5/1992 Allen ..... D13/184

D353,143 S \* 12/1994 Namba ..... D13/184  
D431,810 S \* 10/2000 Weng ..... D13/110  
D455,723 S \* 4/2002 Vackar ..... D13/184  
D606,018 S \* 12/2009 Steinhorn ..... D13/110  
8,054,041 B2 \* 11/2011 Kim ..... B60L 58/21  
320/112  
D684,129 S \* 6/2013 Vincent ..... D13/184  
D684,130 S \* 6/2013 Vincent ..... D13/184  
D695,681 S \* 12/2013 Nam ..... D13/103  
D698,724 S \* 2/2014 Palatini ..... D13/110  
D860,957 S \* 9/2019 Gao ..... D13/184  
D867,280 S 11/2019 Chen  
D872,010 S \* 1/2020 Pilliod ..... D13/103  
D884,632 S 5/2020 Xie  
2021/0376635 A1 \* 12/2021 Luangrath ..... H02J 7/00032  
2022/0006138 A1 \* 1/2022 Norimine ..... H01M 50/30

\* cited by examiner

*Primary Examiner* — Rosemary K Tarcza

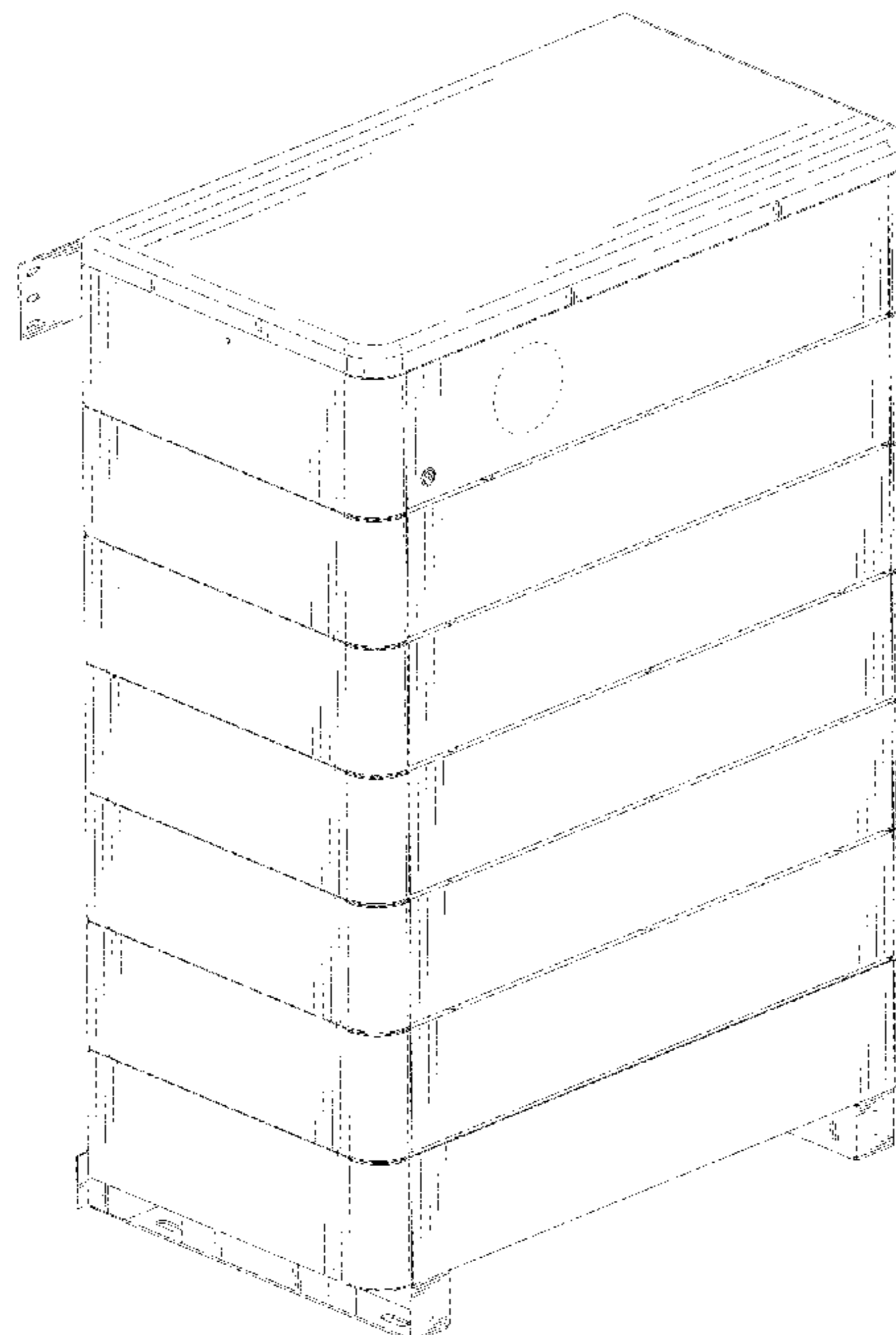
(57) **CLAIM**

The ornamental design for a battery box, as shown and described.

**DESCRIPTION**

FIG. 1 is a perspective view of a battery box showing my new design;  
FIG. 2 is another perspective view thereof;  
FIG. 3 is a front elevational view thereof;  
FIG. 4 is a rear elevational view thereof;  
FIG. 5 is a left side elevational view thereof;  
FIG. 6 is a right side elevational view thereof;  
FIG. 7 is a top plan view thereof;  
FIG. 8 is a bottom plan view thereof; and,  
FIG. 9 is an enlarged view of portion 9 shown in FIG. 2.  
The broken lines in the drawings depict portions of the battery box that form no part of the claimed design.

**1 Claim, 9 Drawing Sheets**



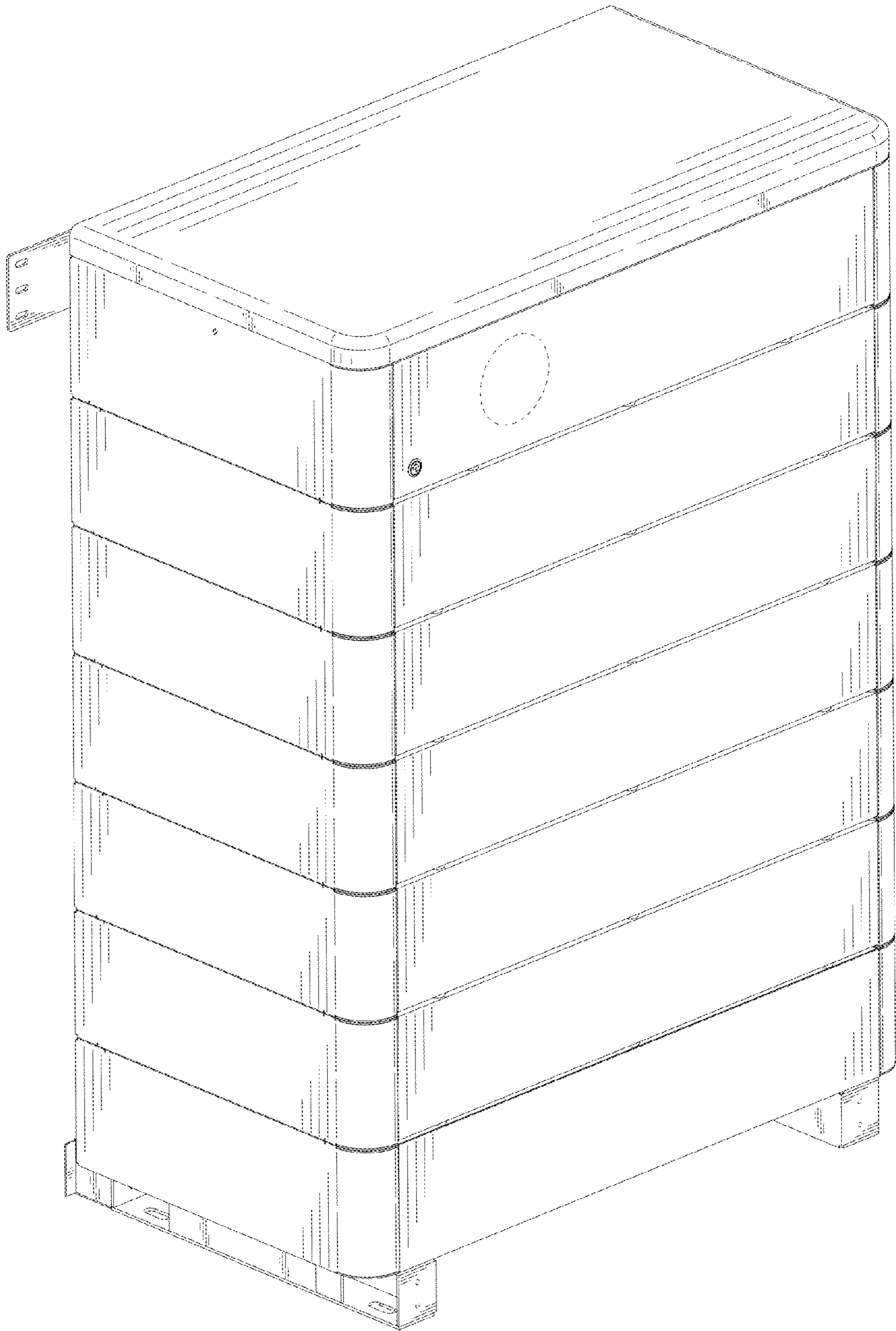


FIG. 1

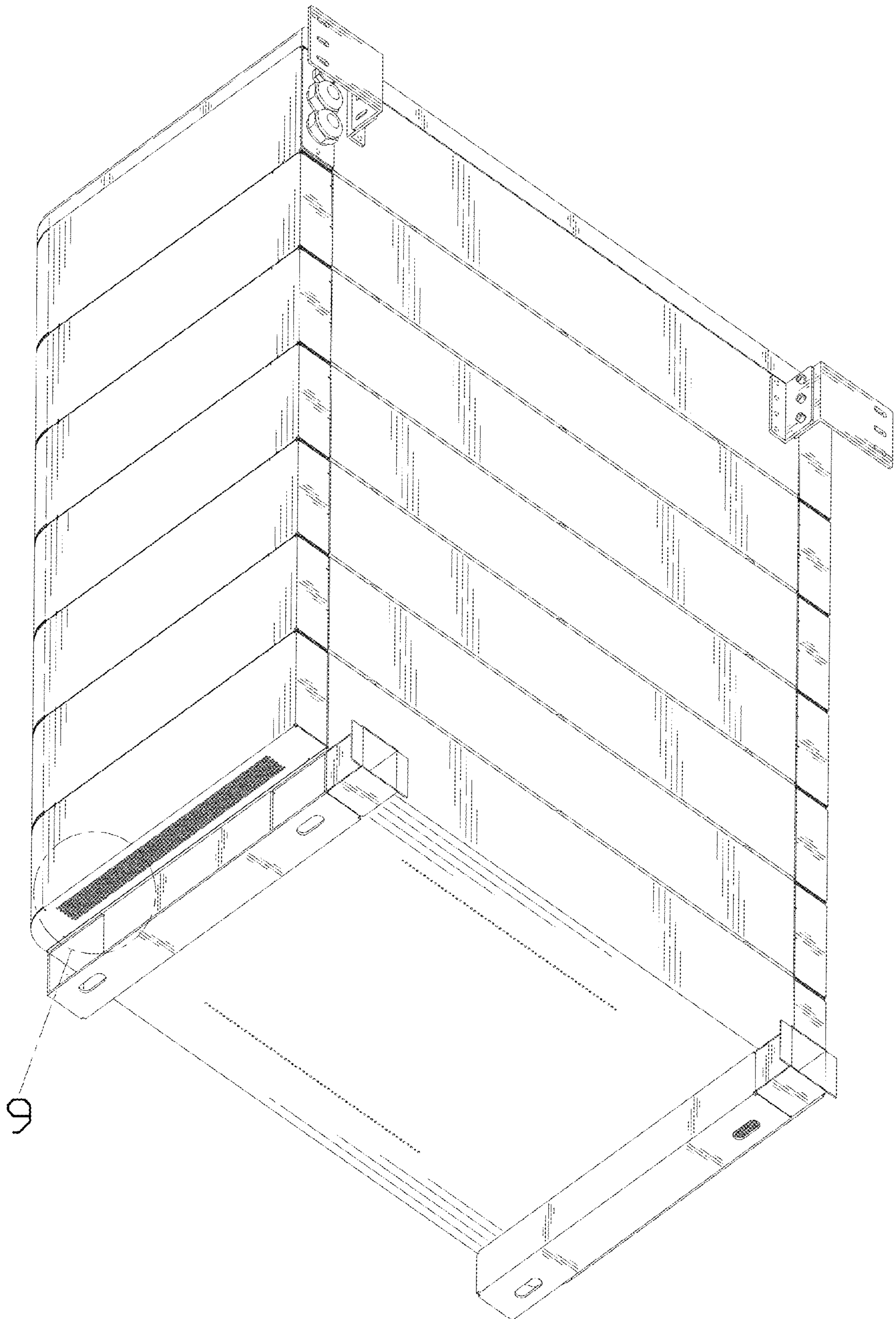


FIG. 2

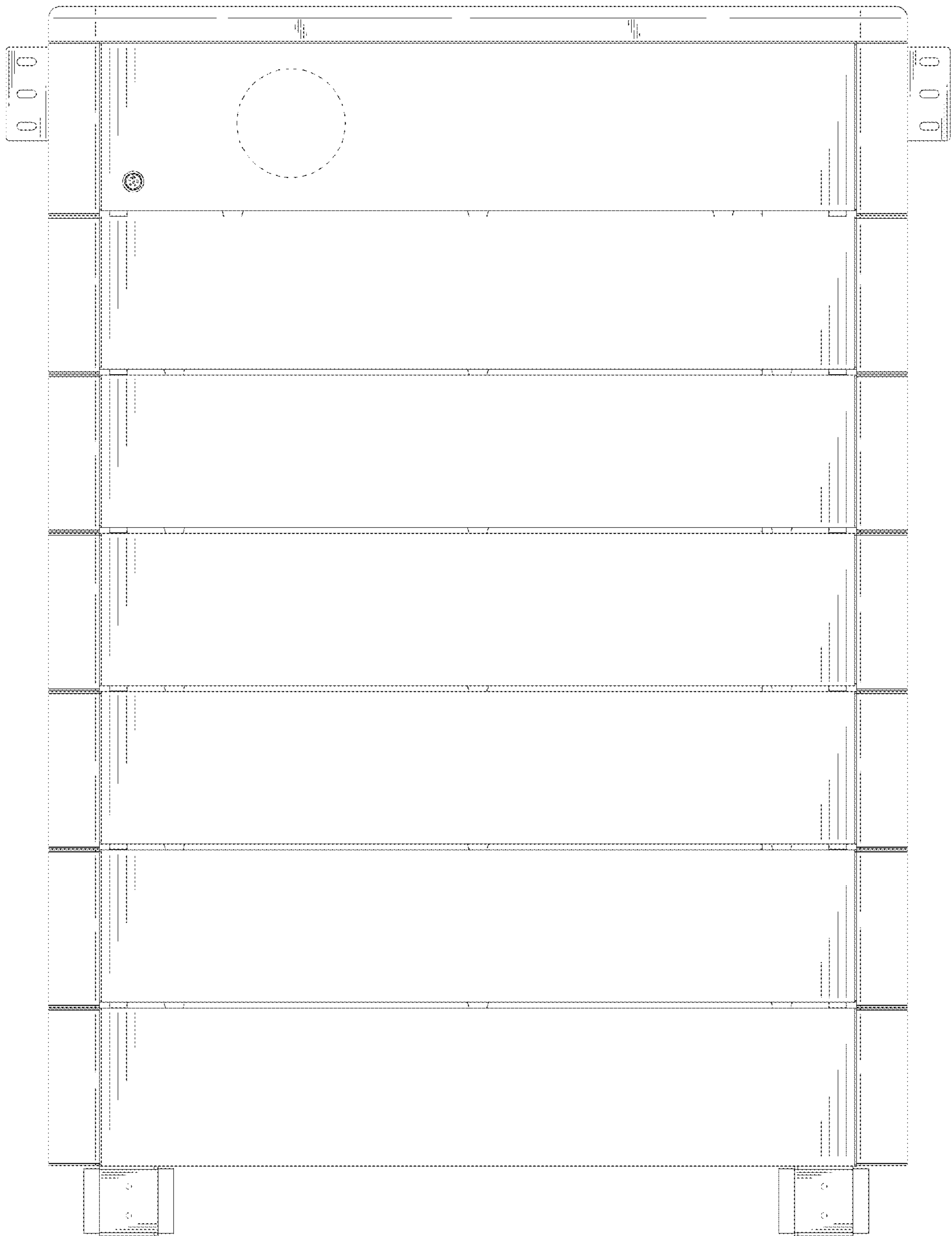


FIG. 3

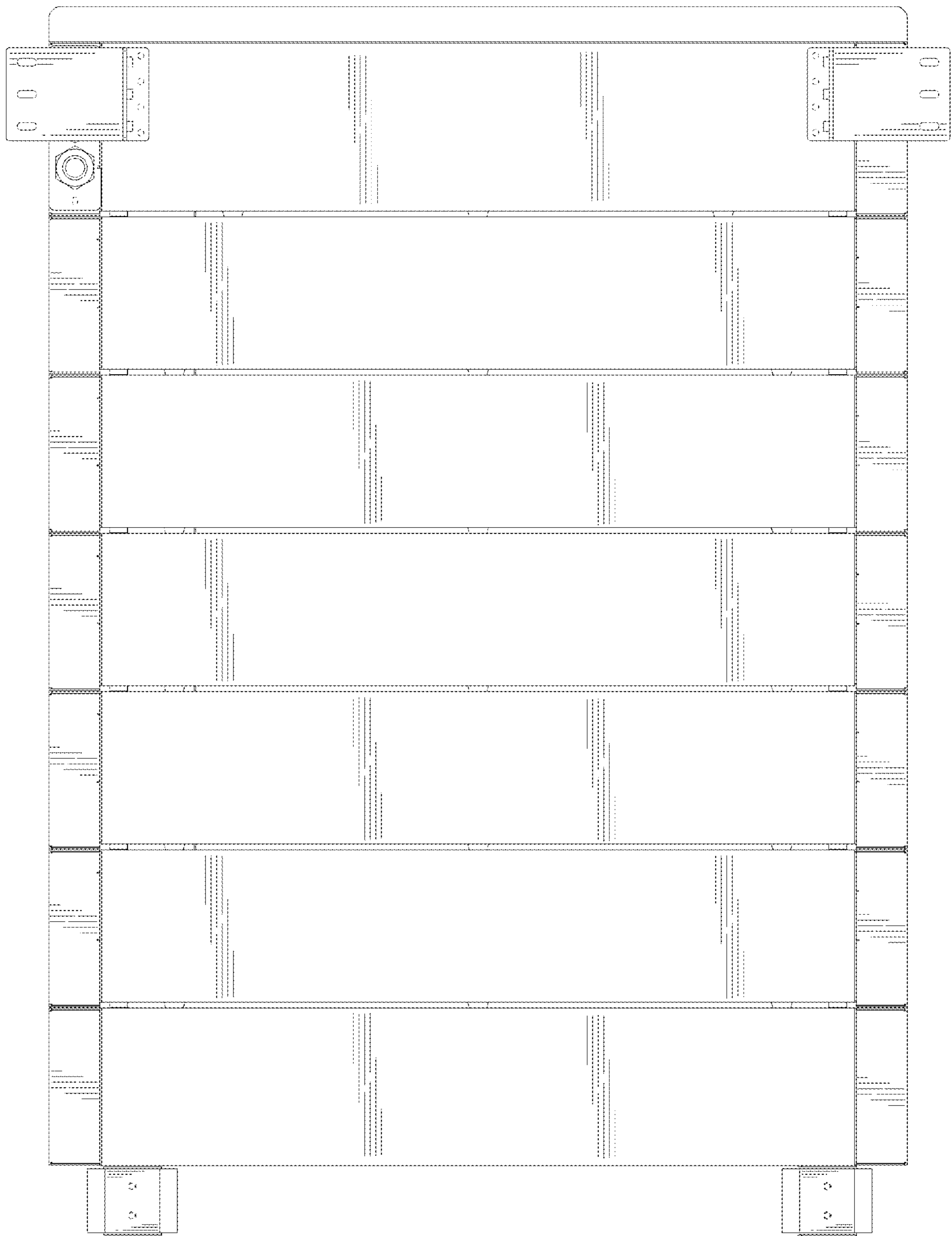


FIG. 4

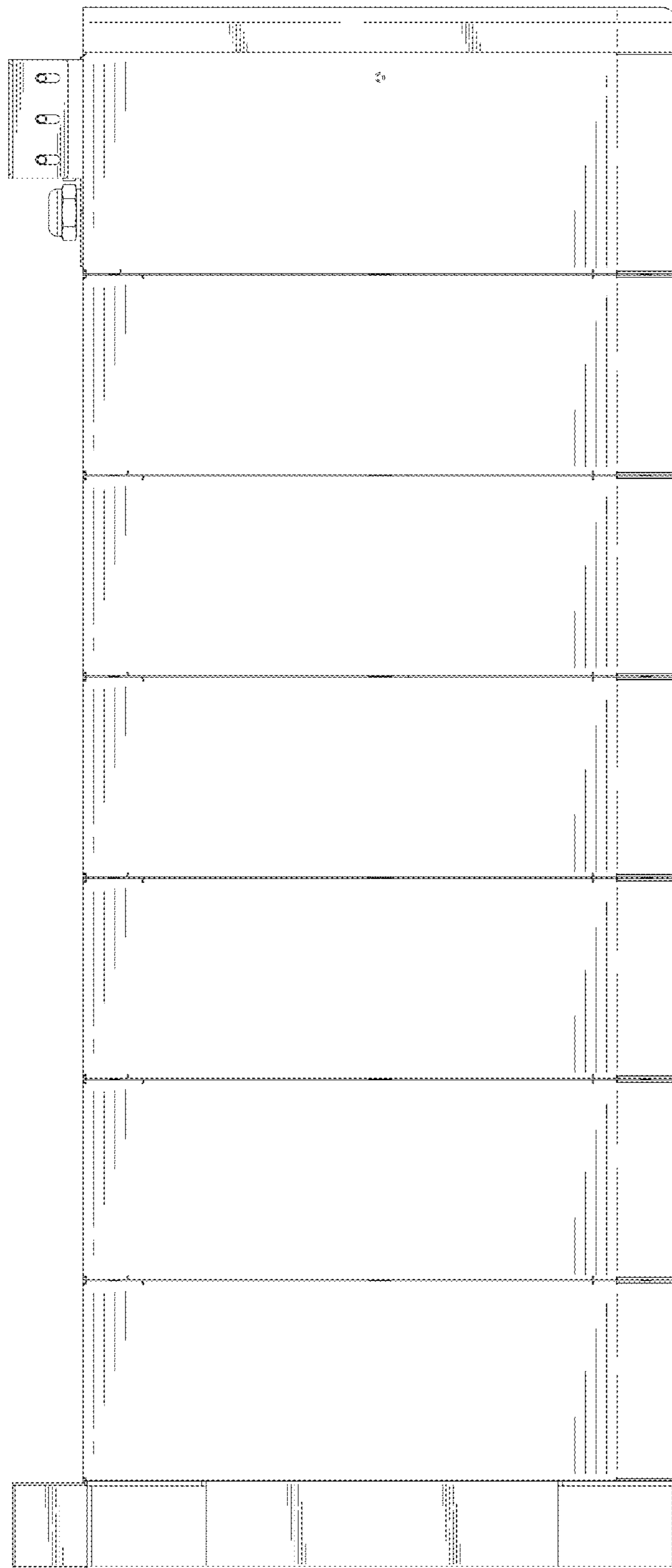


FIG. 5

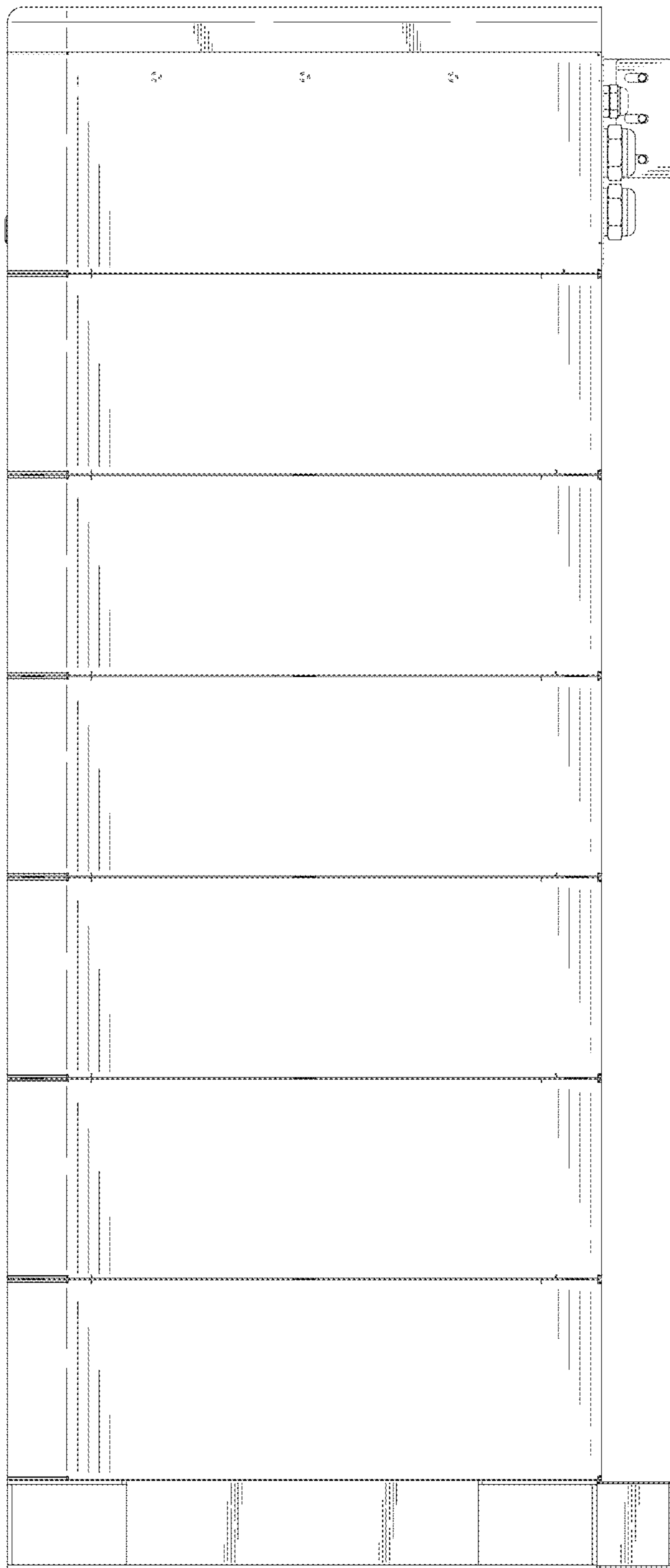


FIG. 6



FIG. 7



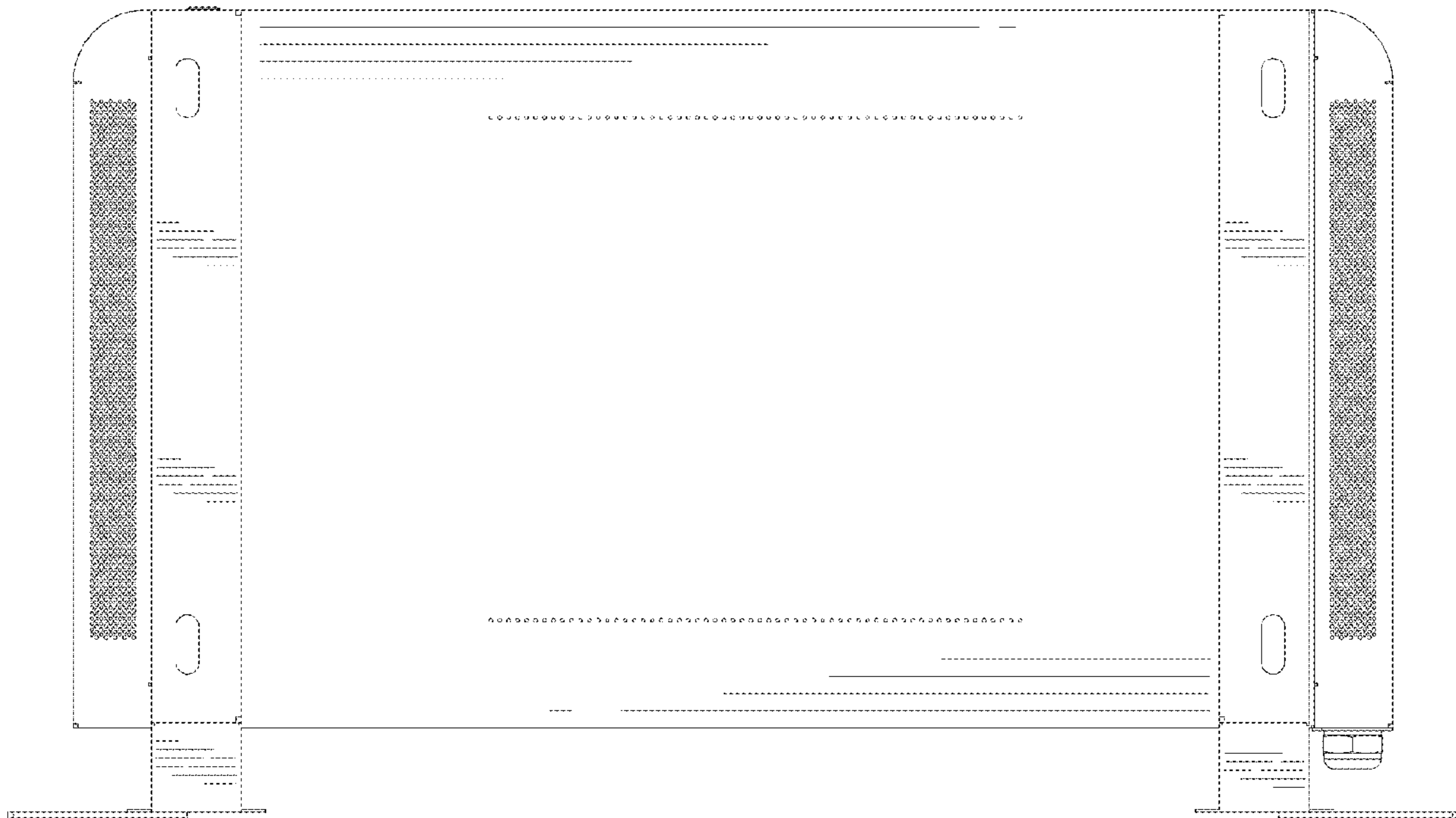


FIG. 8

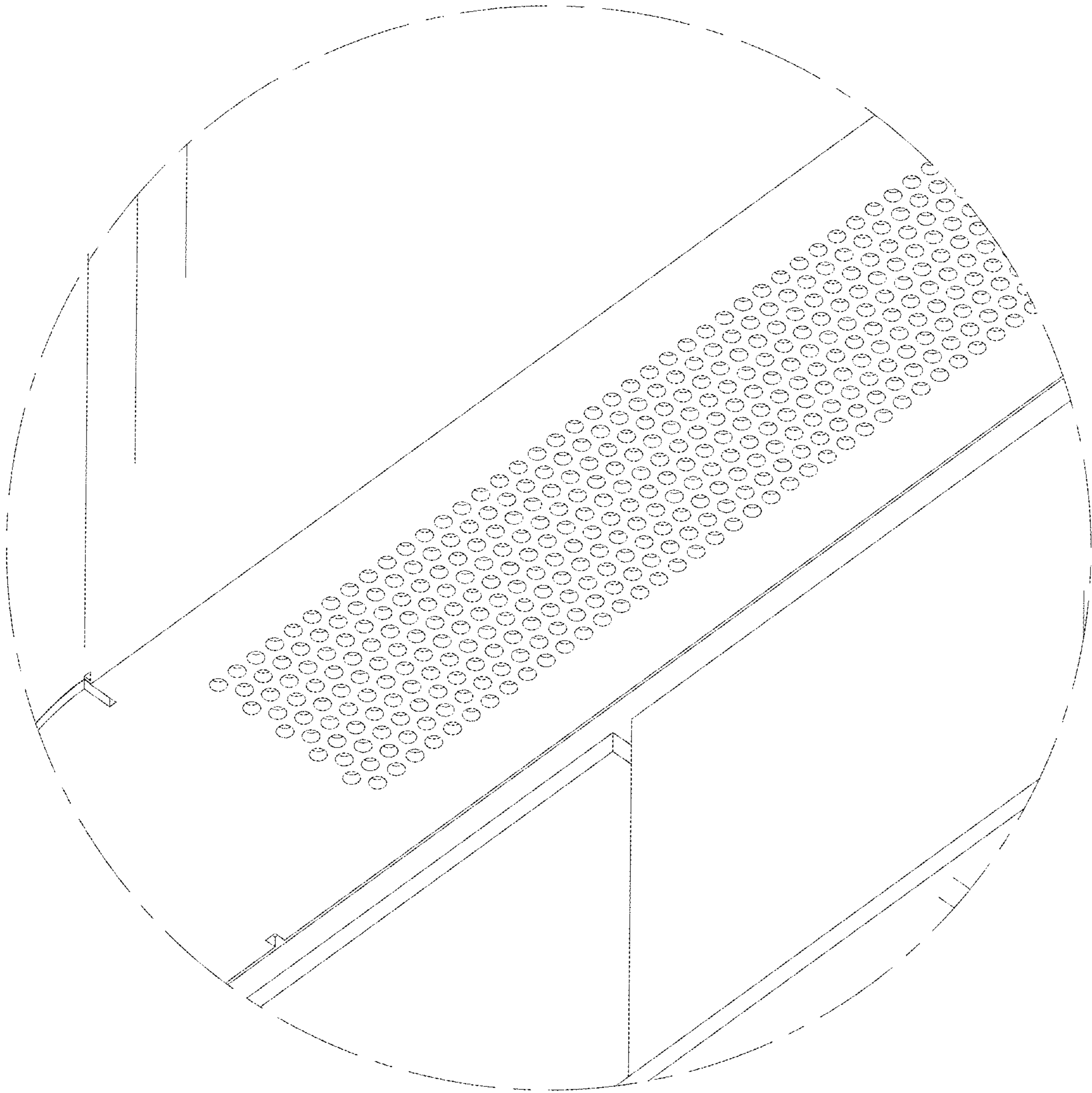


FIG. 9