



US00D945359S

(12) **United States Design Patent**
Bentley

(10) **Patent No.:** **US D945,359 S**
(45) **Date of Patent:** **** Mar. 8, 2022**

- (54) **COMBINED BATTERY AND COMPONENT FOR BATTERY**
- (71) Applicant: **Skipper TM Limited**, Stockport (GB)
- (72) Inventor: **Alan Bentley**, Alderley Edge (GB)
- (73) Assignee: **SKIPPER TM LIMITED**, Stockport (GB)
- (**) Term: **15 Years**
- (21) Appl. No.: **29/687,107**
- (22) Filed: **Apr. 10, 2019**
- (51) **LOC (13) Cl.** **13-02**
- (52) **U.S. Cl.**
USPC **D13/103; D13/108**
- (58) **Field of Classification Search**
USPC D13/102-104, 106-110, 112, 114, 116, D13/118-123, 130-131, 133, 137.2, D13/137.4, 139.1, 144, 147, 149, 151, D13/153, 154, 156, 158, 159-160, 162, D13/168-169, 175, 177, 184
CPC . Y02E 60/10; H01M 2220/30; H01M 50/209; H01M 50/213; H01M 50/183; H01M 50/10; H01M 50/529; H01M 50/531; H01M 10/0525; H01M 10/0436; H01M 10/052; H01M 10/0565; H01M 10/30; H01M 10/345; H01M 10/425; H01M 2010/0495; B25F 5/02; B25F 5/00; A61B 2017/00734
See application file for complete search history.

- (56) **References Cited**
U.S. PATENT DOCUMENTS
3,615,867 A * 10/1971 Cich H01M 50/502
29/623.1
D390,229 S * 2/1998 Lee D14/168

- D420,975 S * 2/2000 Honda D13/115
- D439,689 S * 3/2001 Yuen D26/42
- D448,002 S * 9/2001 Yang D13/103
- D520,658 S * 5/2006 Yuen D26/38
- D524,288 S * 7/2006 Lee D14/168
- D575,734 S * 8/2008 Groh D13/119
- D617,268 S * 6/2010 Yen D13/108
- D625,865 S * 10/2010 Poon D26/48
- D652,162 S * 1/2012 Wu D26/47
- D692,717 S * 11/2013 Lai D7/354
- D709,824 S * 7/2014 Evans D13/103
- D730,278 S * 5/2015 Licciardello, Jr. D13/103
- D770,374 S * 11/2016 He D13/103
- D814,084 S * 3/2018 James D26/41
- D839,823 S * 2/2019 Lemelson D13/103
- D848,943 S * 5/2019 Chojnowski D13/103
- D853,321 S * 7/2019 Sutenas D13/103
- D858,837 S * 9/2019 Vasquez D26/60

(Continued)

Primary Examiner — Nathaniel D. Buckner
(74) *Attorney, Agent, or Firm* — Trego, Hines & Ladenheim, PLLC

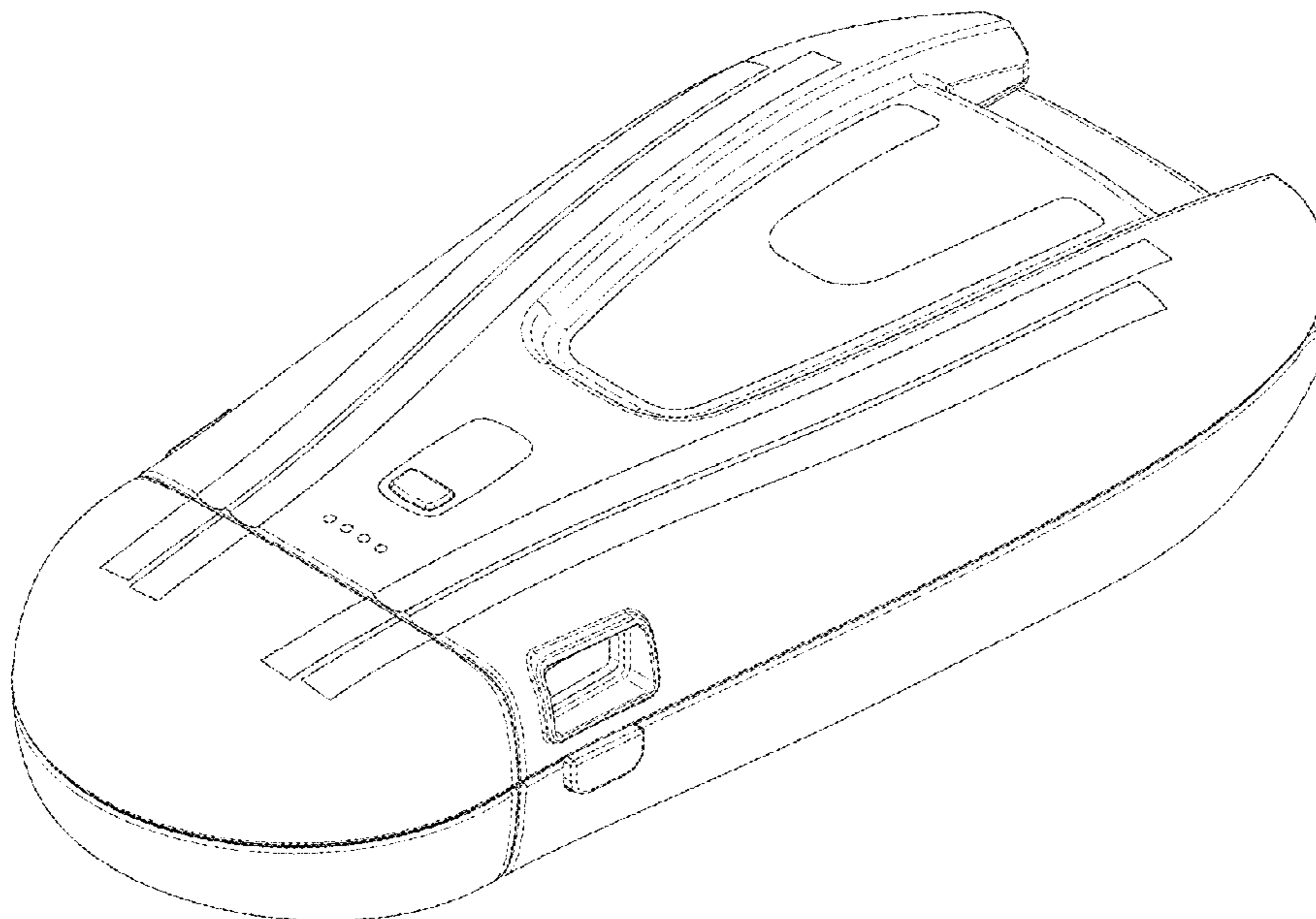
(57) **CLAIM**

I claim the ornamental design for a combined battery and component for battery, as shown and described.

DESCRIPTION

FIG. 1 is an upper perspective view of a battery, component for battery, and accessory for battery, showing my new design;
FIG. 2 is a lower perspective view of the design of FIG. 1;
FIG. 3 is a front elevation view of the design of FIG. 1;
FIG. 4 is a rear elevation view of the design of FIG. 1;
FIG. 5 is a right side elevation view of the design of FIG. 1;
FIG. 6 is a left side elevation view of the design of FIG. 1;
FIG. 7 is a top plan view of the design of FIG. 1; and,
FIG. 8 is a top plan view of the design of FIG. 1.

1 Claim, 5 Drawing Sheets



(56)

References Cited

U.S. PATENT DOCUMENTS

D890,700	S	*	7/2020	Kawamoto	D13/110
D892,039	S	*	8/2020	Chen	D13/103
D895,541	S	*	9/2020	Zhang	D13/108
D900,021	S	*	10/2020	Shen	D13/103
D903,588	S	*	12/2020	Shoemake	D13/108
D921,250	S	*	6/2021	Xiao	D26/41
D921,575	S	*	6/2021	Zhao	D13/103
2020/0313124	A1	*	10/2020	Kaneko	H01M 50/20
2020/0411813	A1	*	12/2020	Maggert	H01M 50/247
2021/0068283	A1	*	3/2021	Qin	H01R 13/5833
2021/0184410	A1	*	6/2021	Huang	H01R 33/94

* cited by examiner

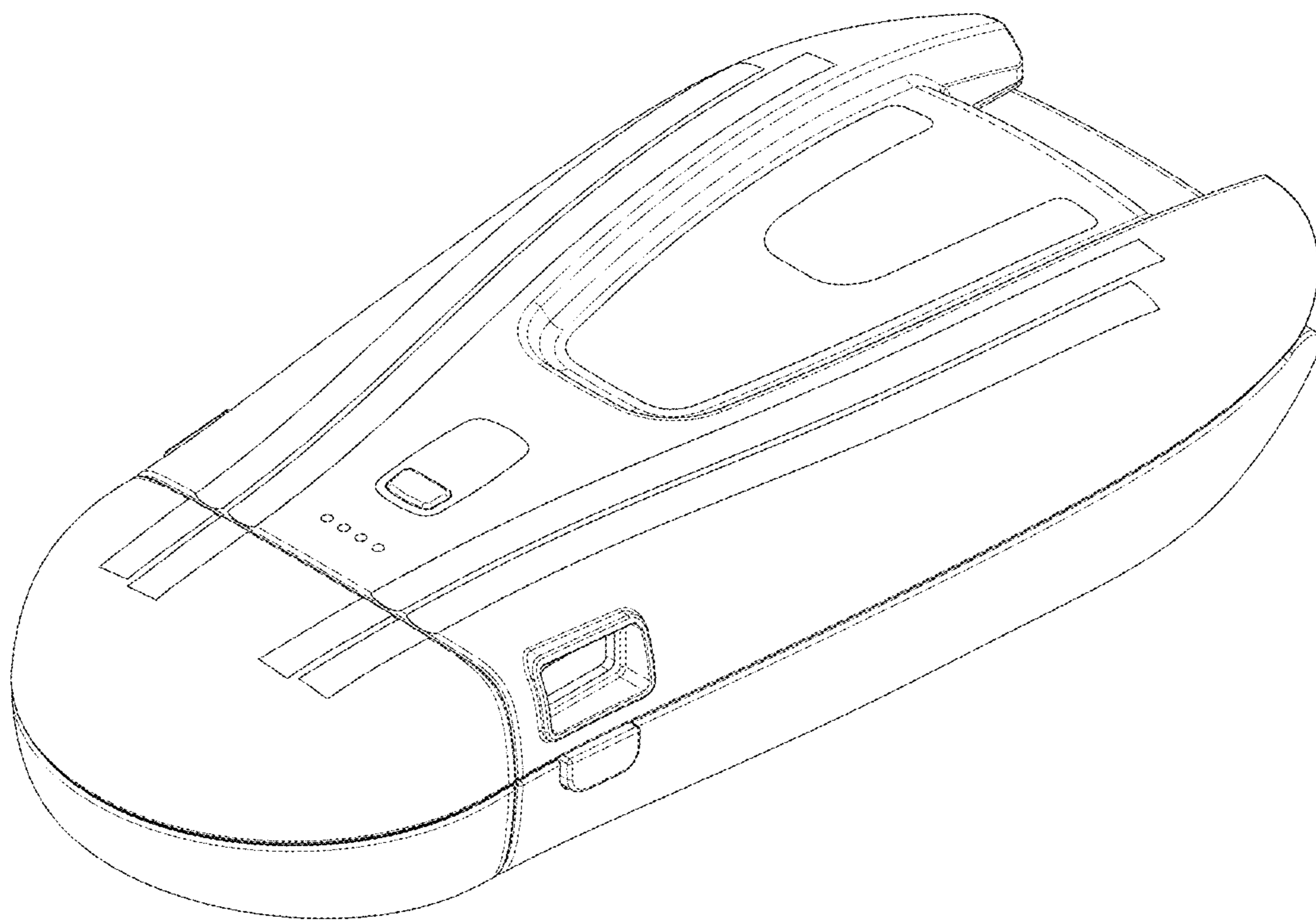


FIG. 1

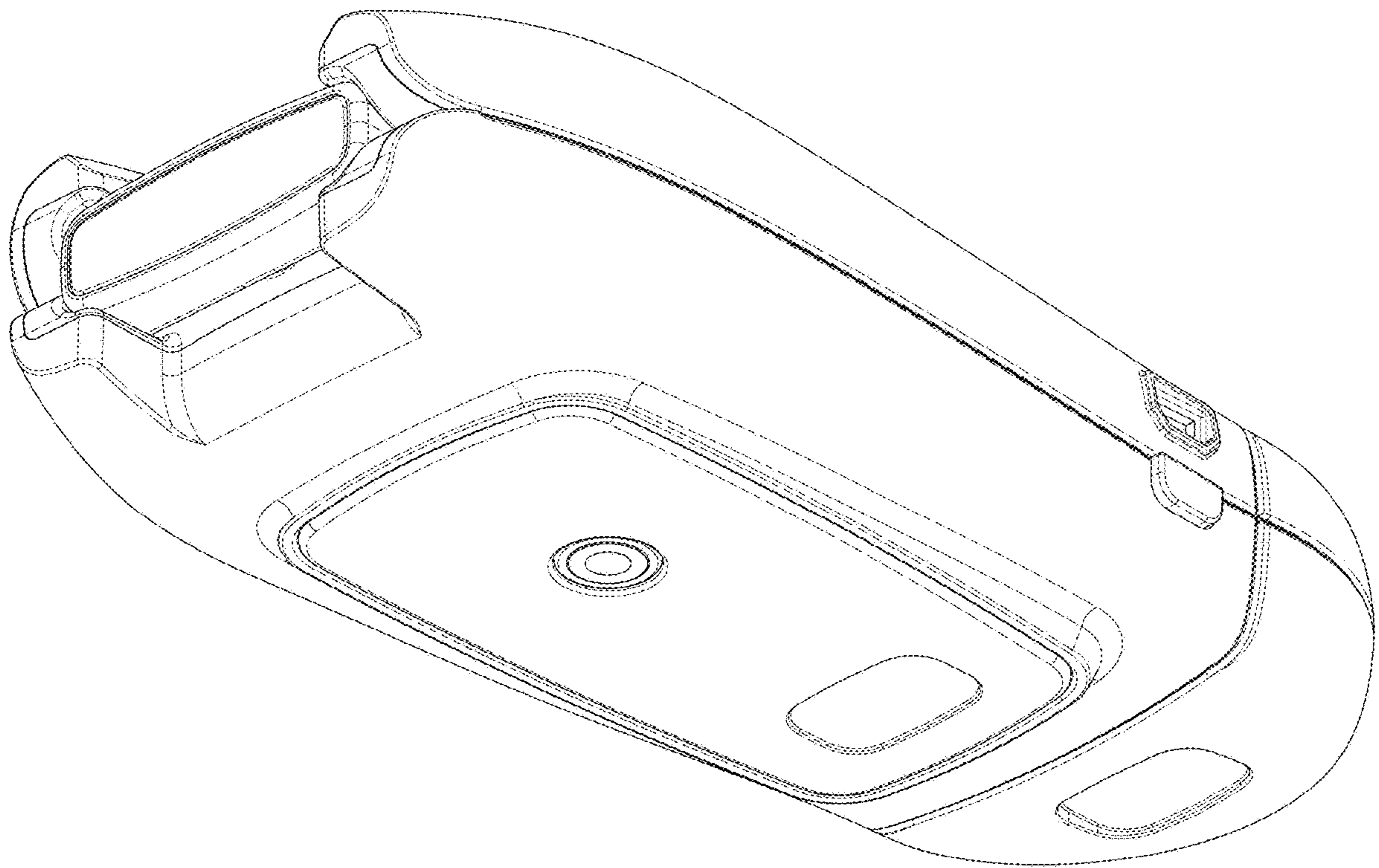


FIG. 2

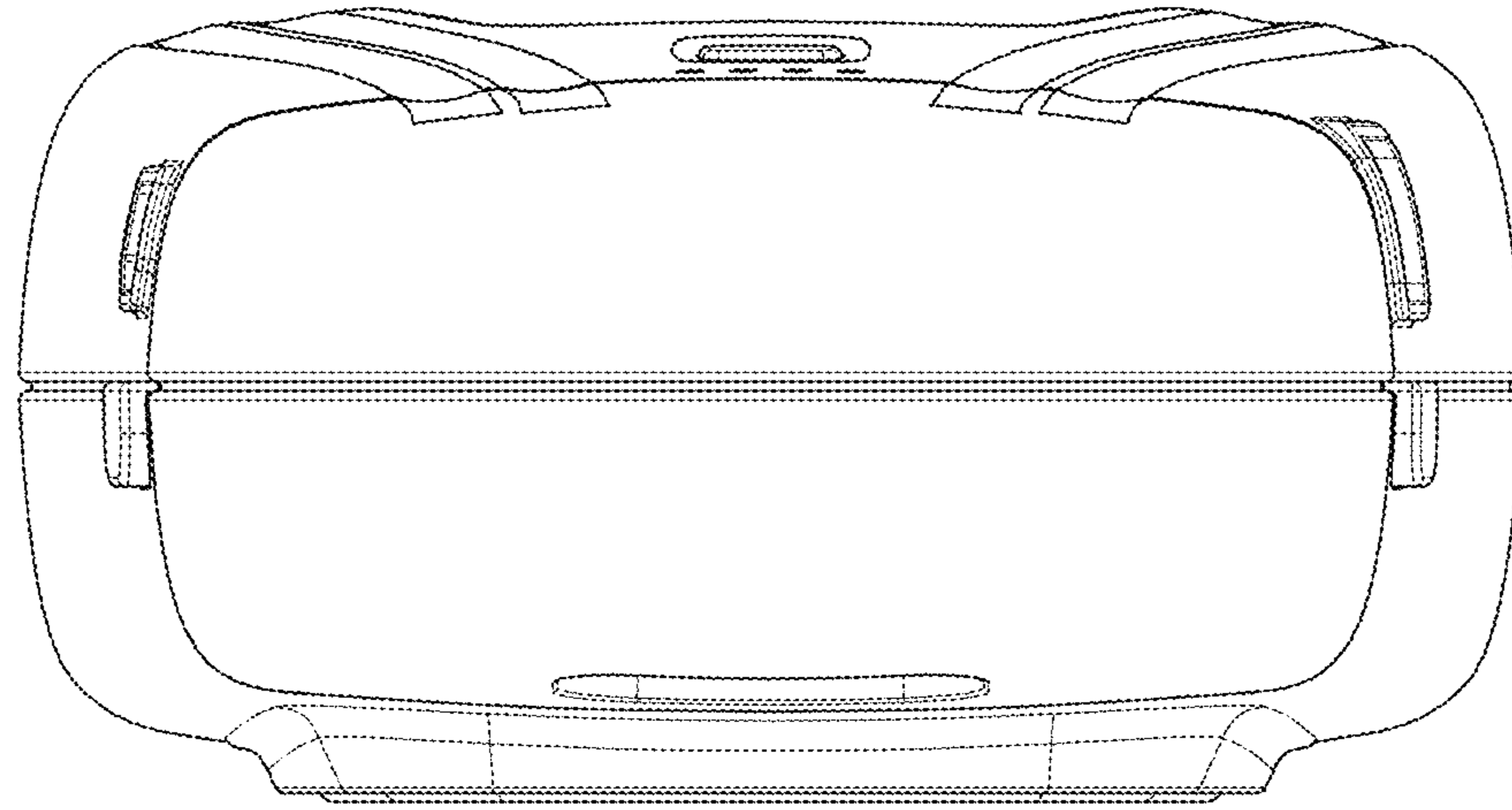


FIG. 3

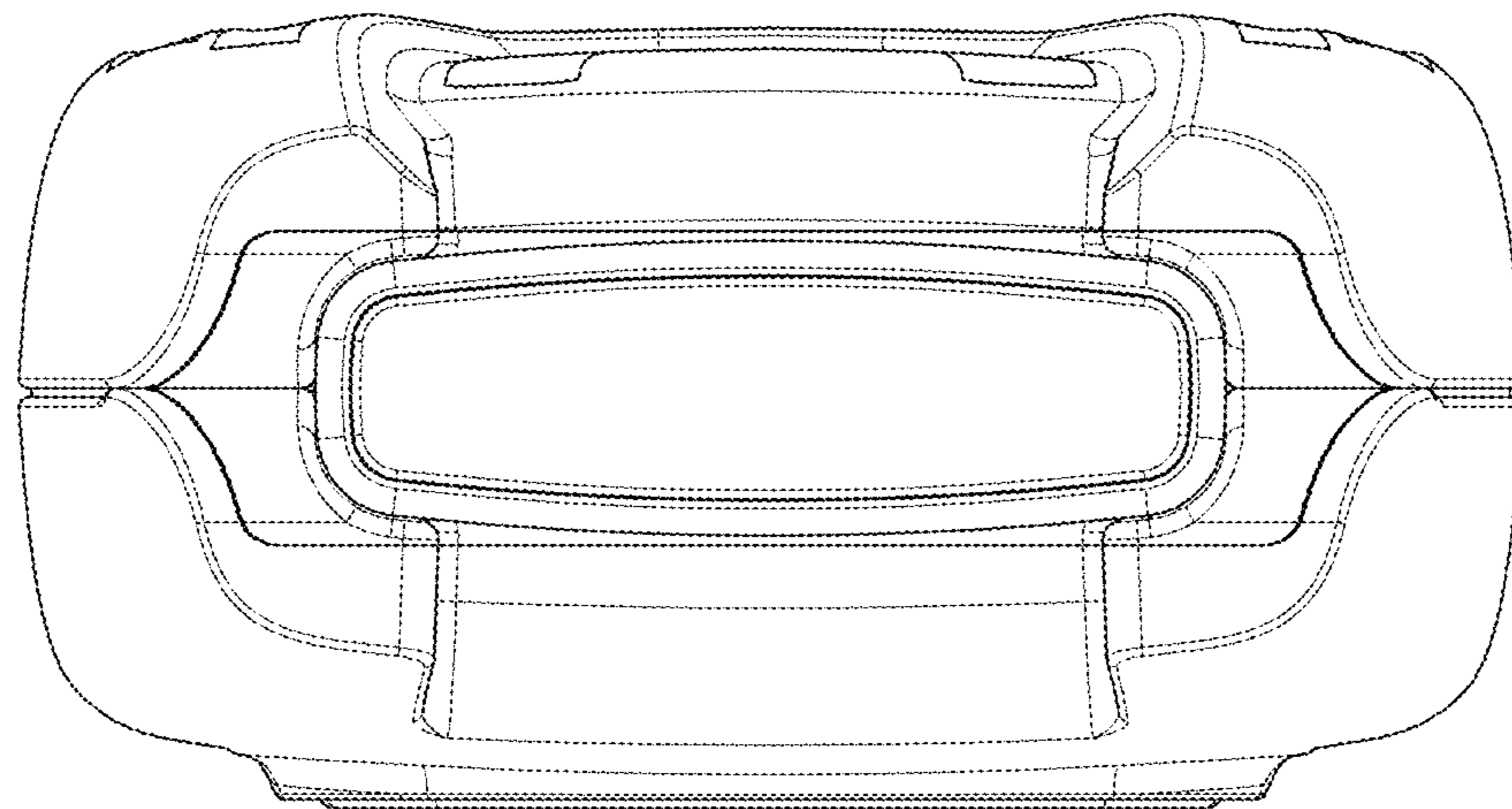


FIG. 4

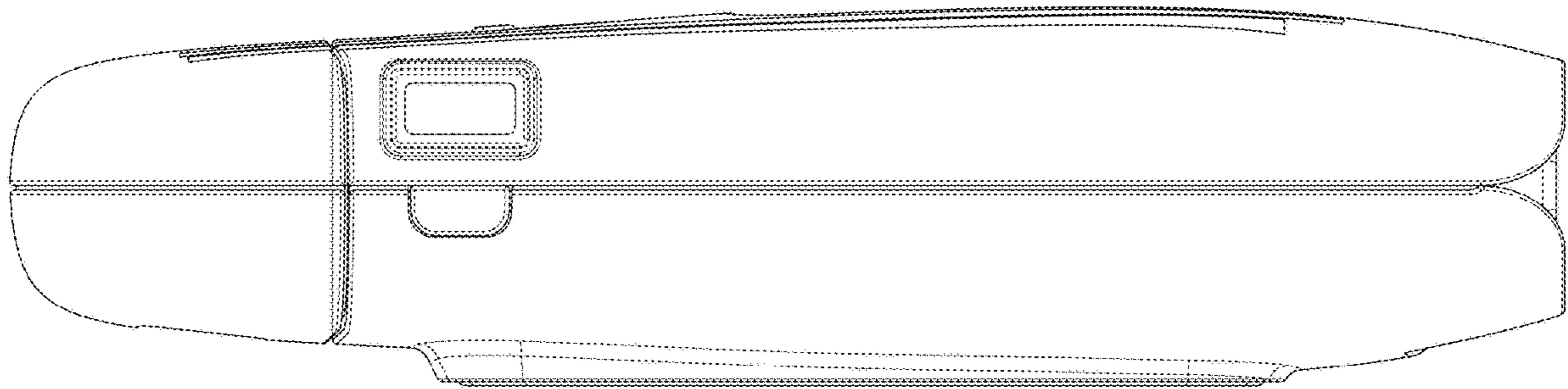


FIG. 5

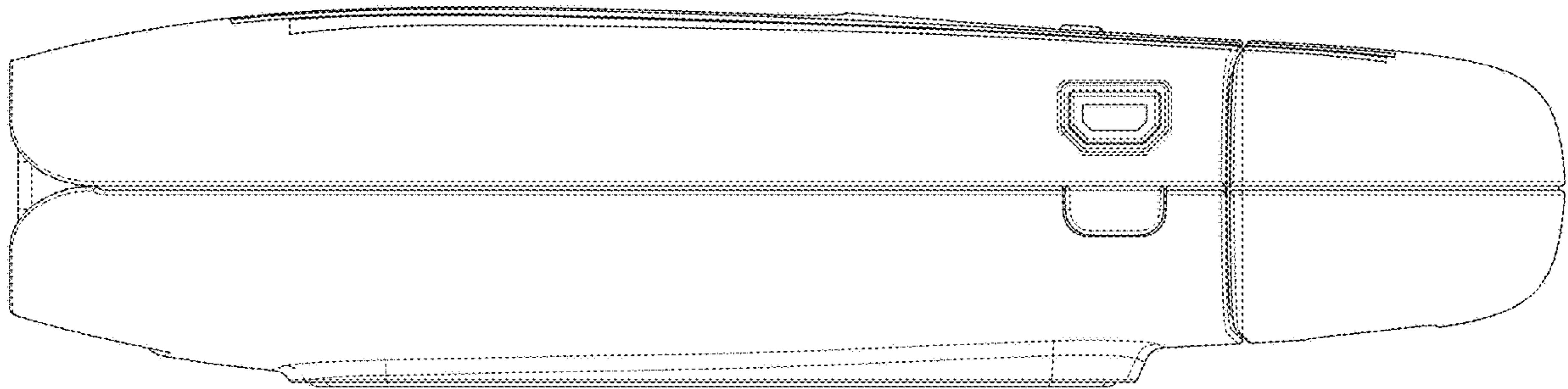


FIG. 6

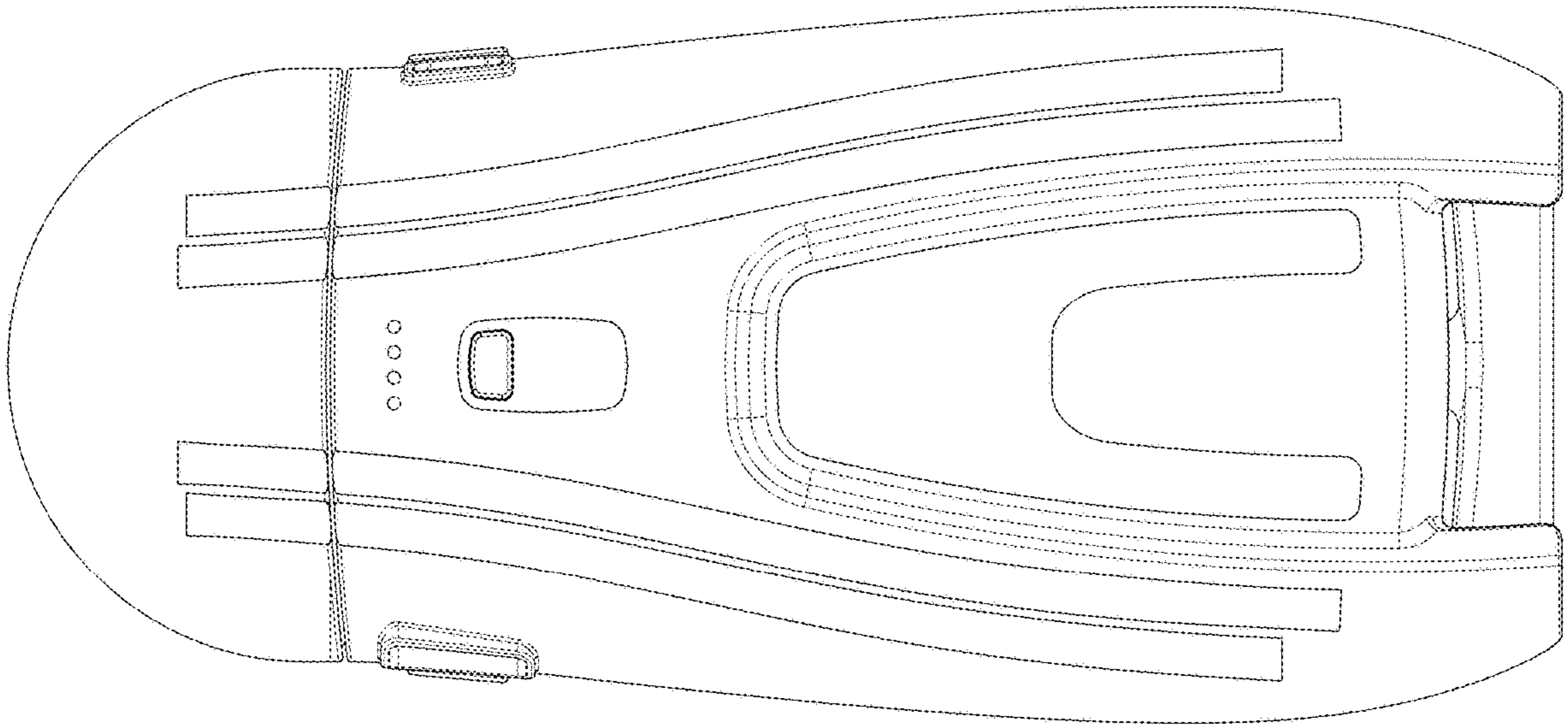


FIG. 7

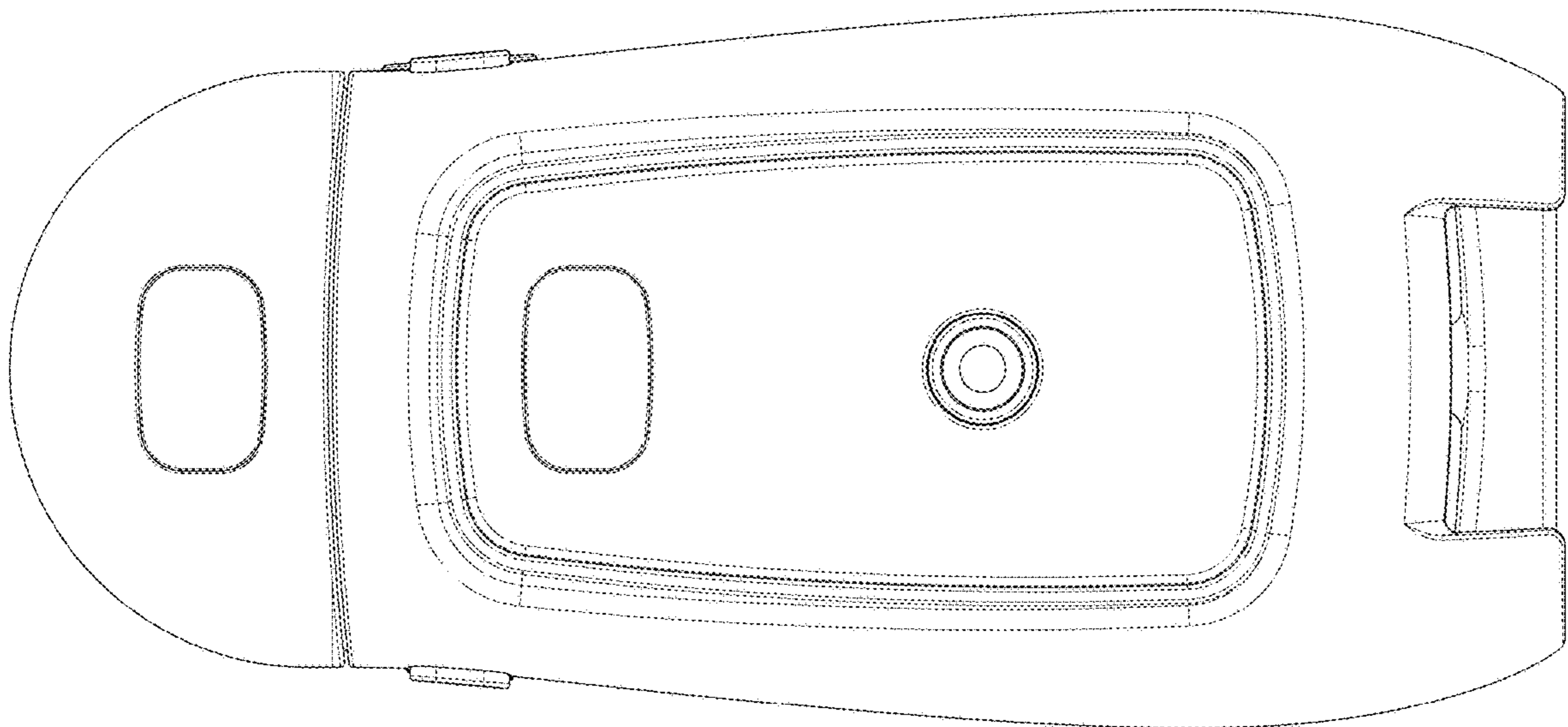


FIG. 8