



US00D945356S

(12) **United States Design Patent** (10) **Patent No.:** **US D945,356 S**
Ganshaw et al. (45) **Date of Patent:** **** Mar. 8, 2022**

(54) **BRACKET**
(71) Applicant: **Unirac Inc.**, Albuquerque, NM (US)
(72) Inventors: **Todd Ganshaw**, Albuquerque, NM (US); **Ernest Gallegos**, Albuquerque, NM (US); **Sai Uppu**, Albuquerque, NM (US)
(73) Assignee: **Unirac Inc.**, Albuquerque, NM (US)
(**) Term: **15 Years**
(21) Appl. No.: **29/696,417**
(22) Filed: **Jun. 27, 2019**
(51) **LOC (13) Cl.** **13-02**
(52) **U.S. Cl.**
USPC **D13/102; D8/354**
(58) **Field of Classification Search**
USPC D13/102, 118, 184, 199; D8/355, 356, D8/354, 394; D25/119, 123, 124, 125
CPC F24J 2/46; F24J 2/526; F24J 2/5207; F24J 2/5211; F24J 2/5245; F24J 2/5258; Y02E 10/47; Y02B 10/20; H01L 31/043; H01L 31/02021
See application file for complete search history.

(56) **References Cited**
U.S. PATENT DOCUMENTS
D369,581 S * 5/1996 McCoy D12/162
D517,402 S * 3/2006 Cairns D8/381
7,866,099 B2 1/2011 Komamine et al.
D651,969 S * 1/2012 Turk D13/102
D663,608 S * 7/2012 Ruperto D8/354
D668,379 S * 10/2012 Storey D26/138
8,595,996 B2 * 12/2013 Korman F24S 25/35 52/173.3
8,713,858 B1 * 5/2014 Xie F24S 25/613 52/58
8,938,932 B1 1/2015 Wentworth et al.
D729,043 S * 5/2015 Poppell D8/354

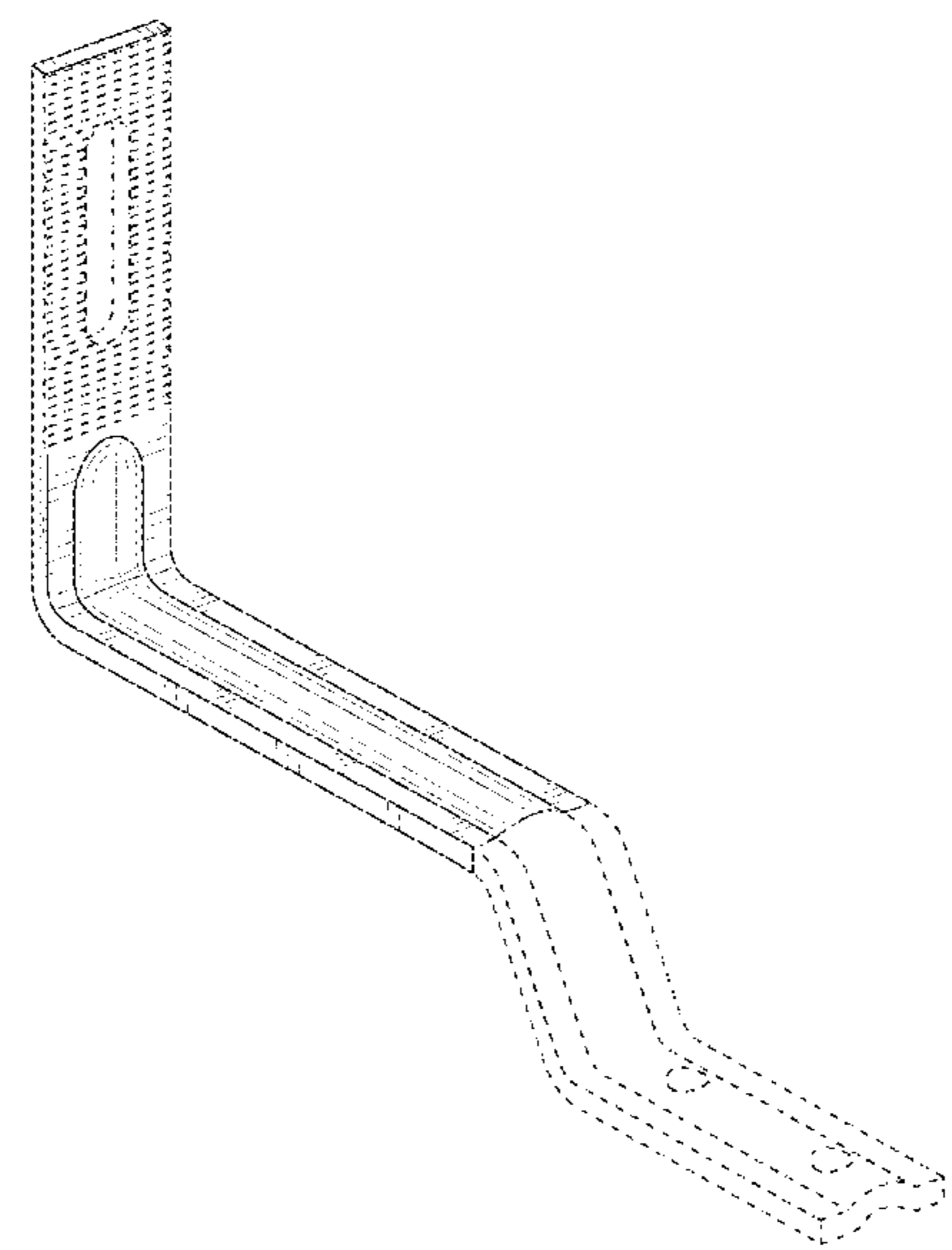
D745,346 S * 12/2015 Birgl D8/14
D774,874 S * 12/2016 Wentzel D8/349
9,825,581 B2 11/2017 Wildes
D843,932 S * 3/2019 Sinai D13/102
2005/0017142 A1 * 1/2005 Ogden E04G 11/365 248/247
2007/0040083 A1 * 2/2007 McAloon F21V 21/02 248/242
2012/0073220 A1 3/2012 Kobayashi et al.

* cited by examiner
Primary Examiner — Derrick E Holland
(74) *Attorney, Agent, or Firm* — Lee & Hayes, P.C.

(57) **CLAIM**
The ornamental design for a bracket, as shown and described.

DESCRIPTION
FIG. 1 is a perspective view of a first embodiment of a bracket;
FIG. 2 is a front view thereof;
FIG. 3 is a back view thereof;
FIG. 4 is a left-side view thereof;
FIG. 5 is a right-side view thereof;
FIG. 6 is a top view thereof;
FIG. 7 is a bottom view thereof;
FIG. 8 is a perspective view of a second embodiment of a bracket;
FIG. 9 is a front view thereof;
FIG. 10 is a back view thereof;
FIG. 11 is a left-side view thereof;
FIG. 12 is a right-side view thereof;
FIG. 13 is a top view thereof; and,
FIG. 14 is a bottom view thereof.
The dashed broken lines depict portions of the bracket that form no part of the claimed design. The dot-dashed broken lines represent boundaries of the claimed bracket and form no part of the claimed design.

1 Claim, 14 Drawing Sheets



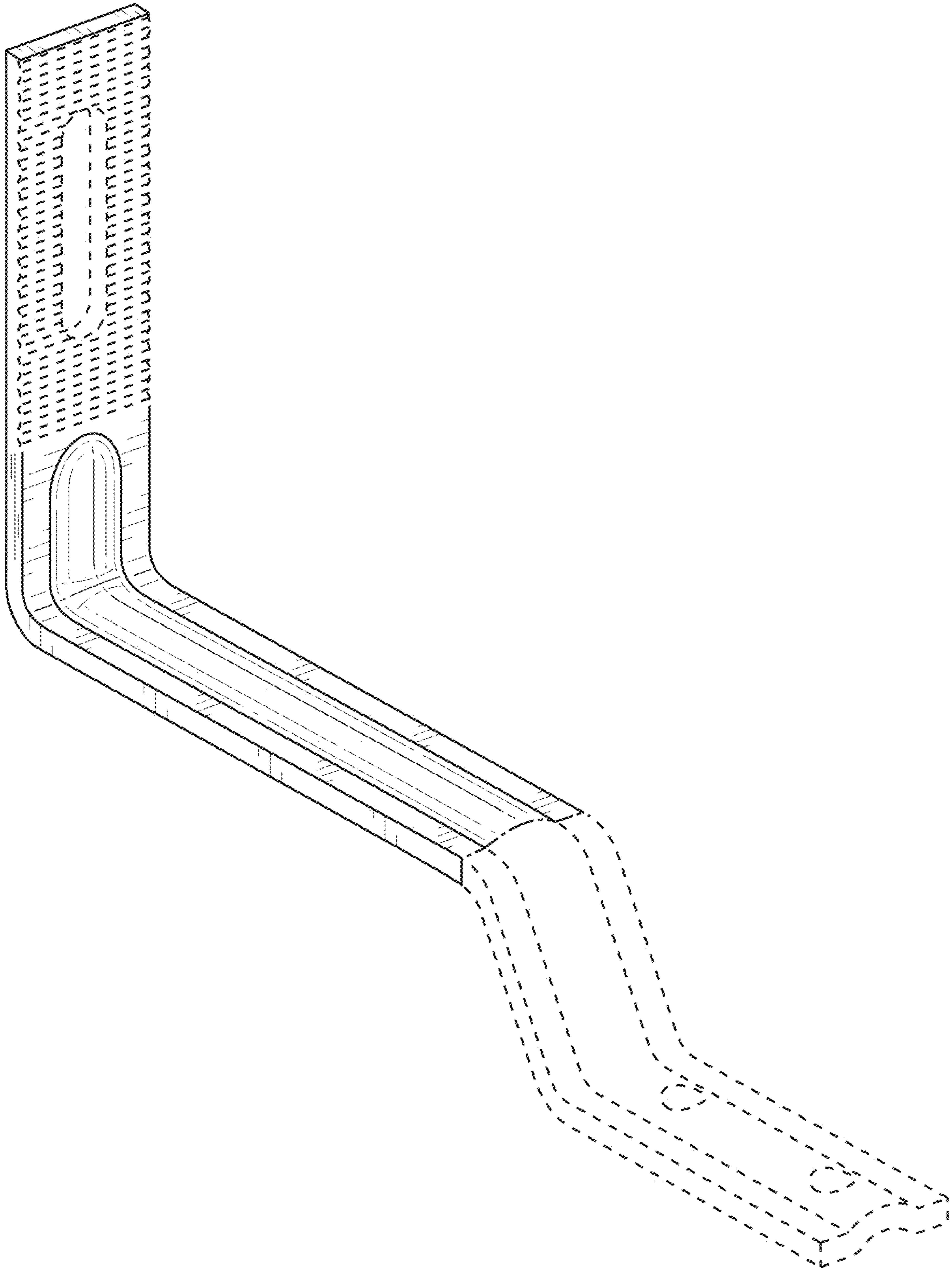


FIG. 1

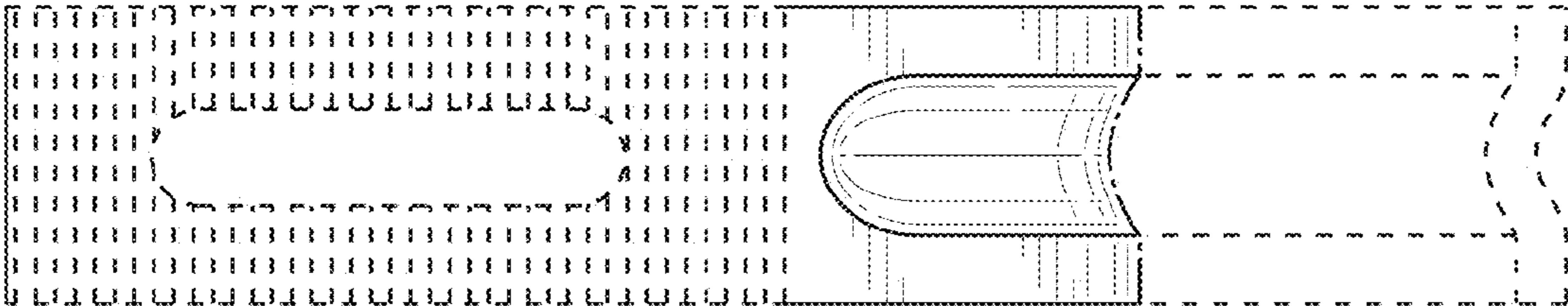


FIG. 2

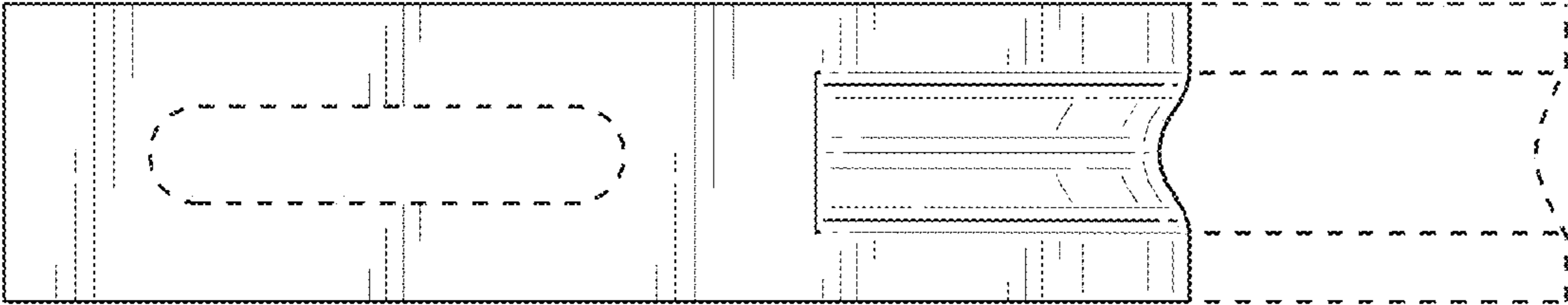


FIG. 3

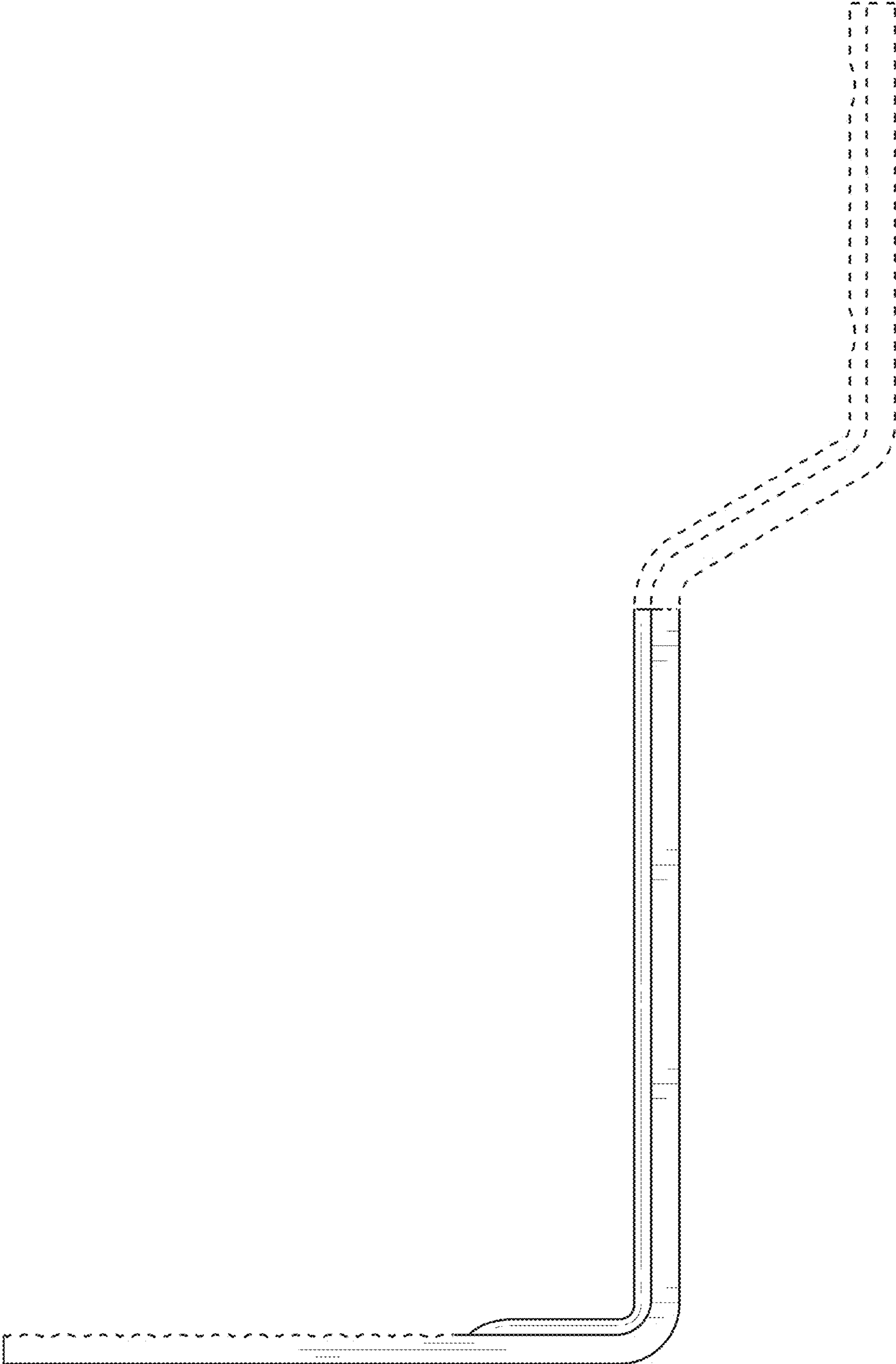


FIG. 4

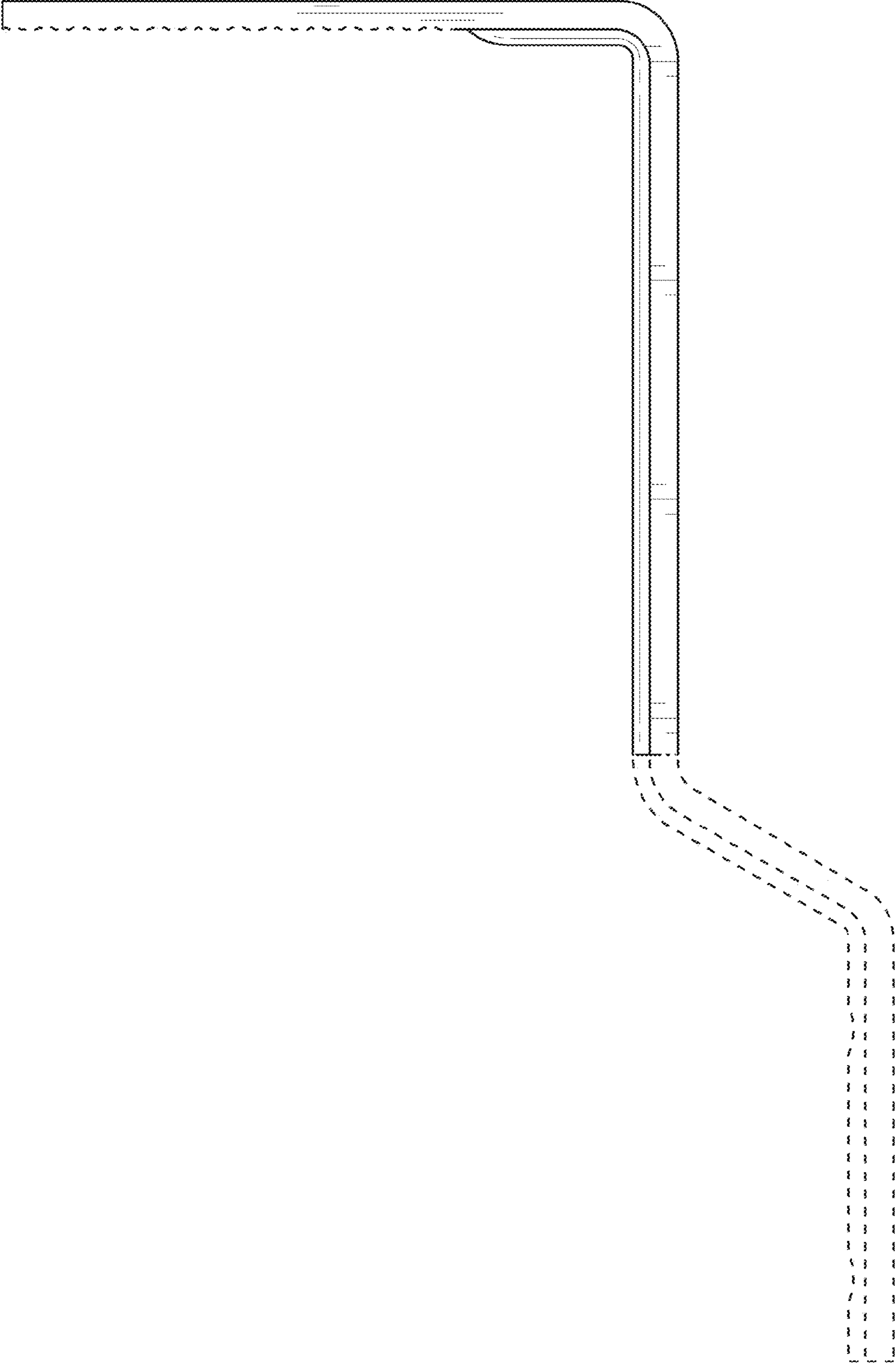


FIG. 5

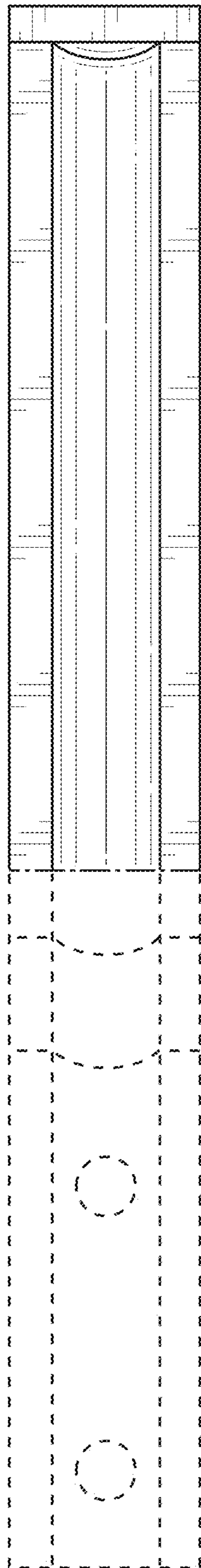


FIG. 6

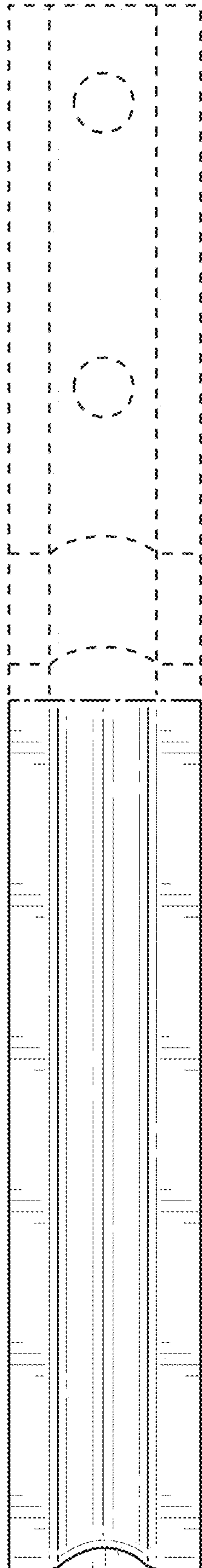


FIG. 7

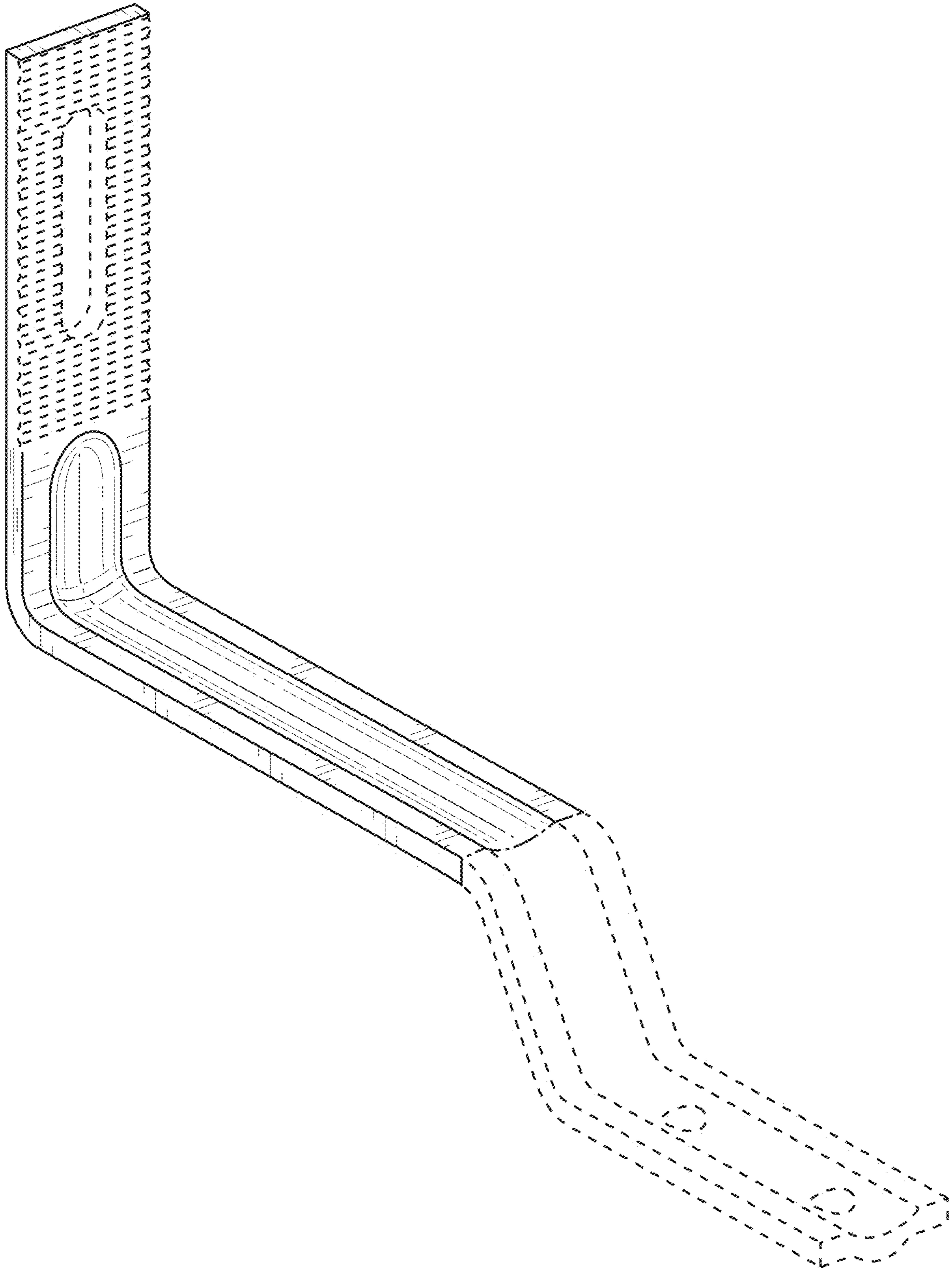


FIG. 8

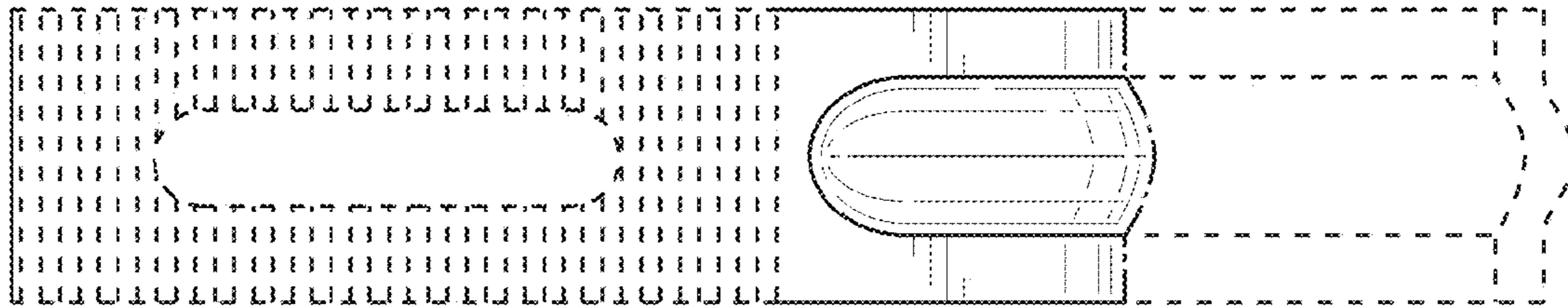


FIG. 9

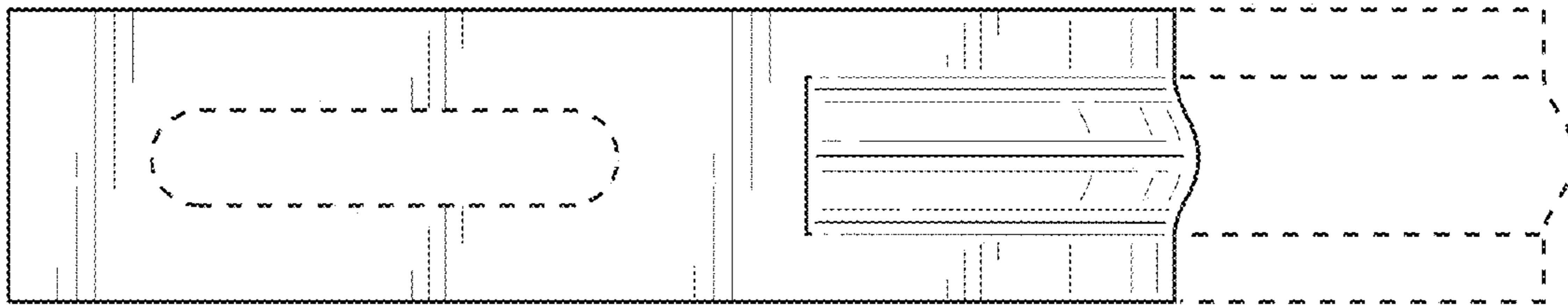


FIG. 10

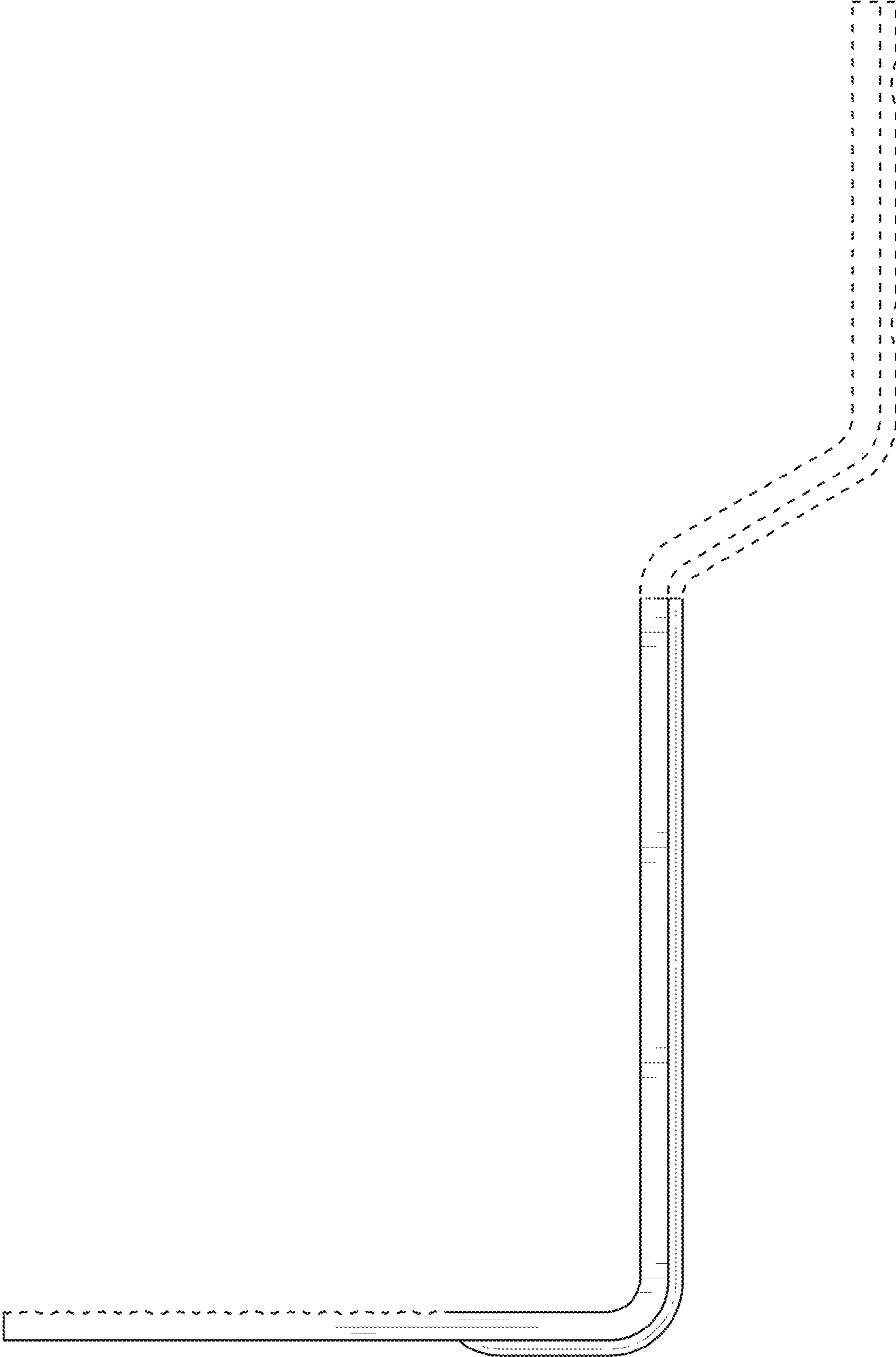


FIG. 11

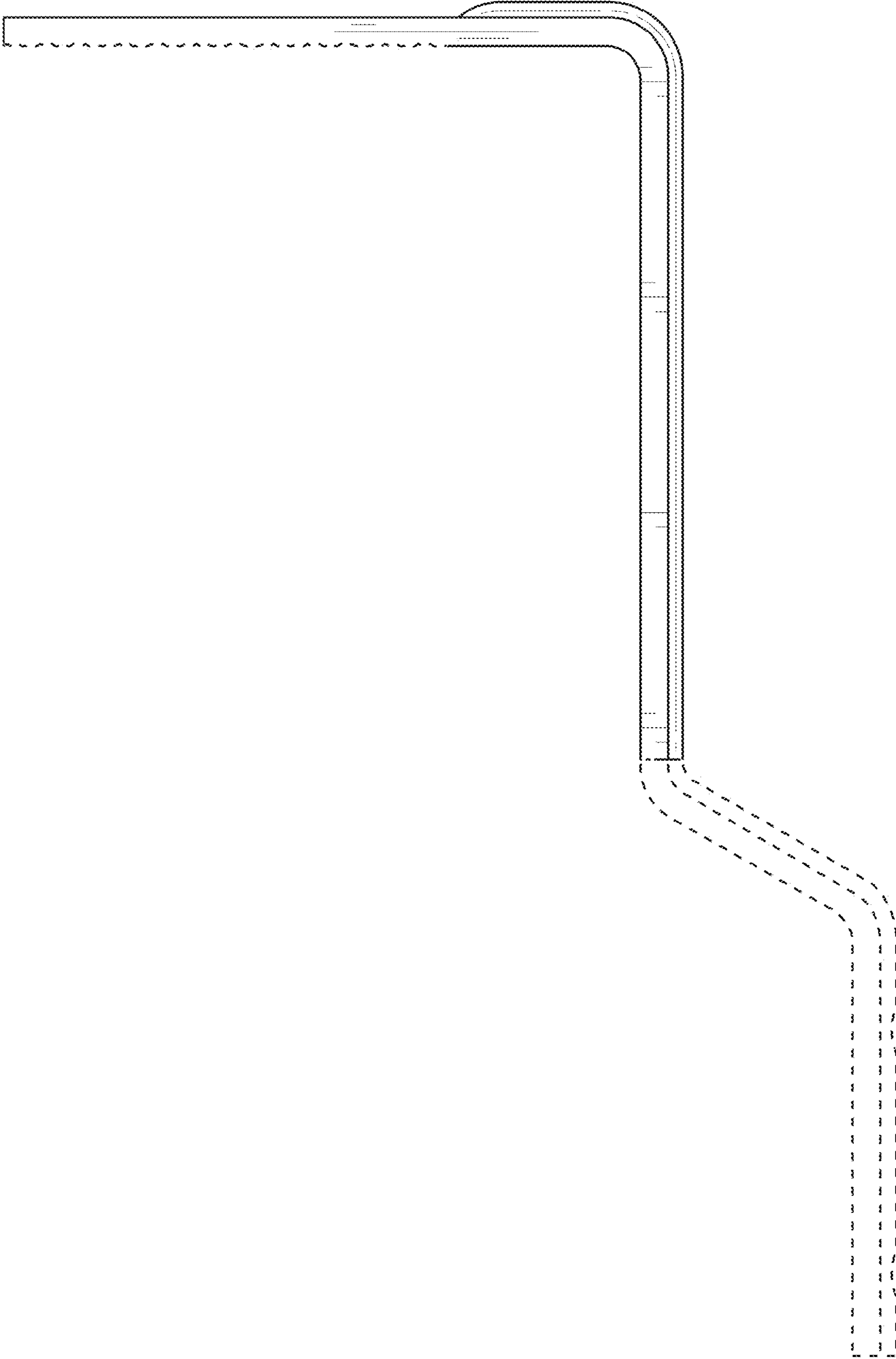


FIG. 12

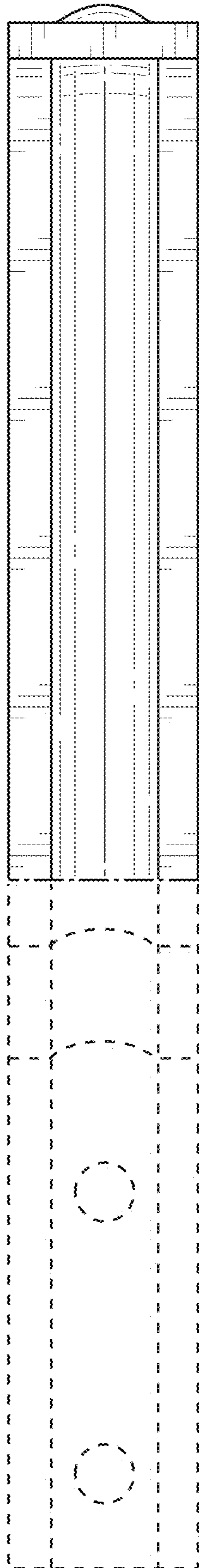


FIG. 13

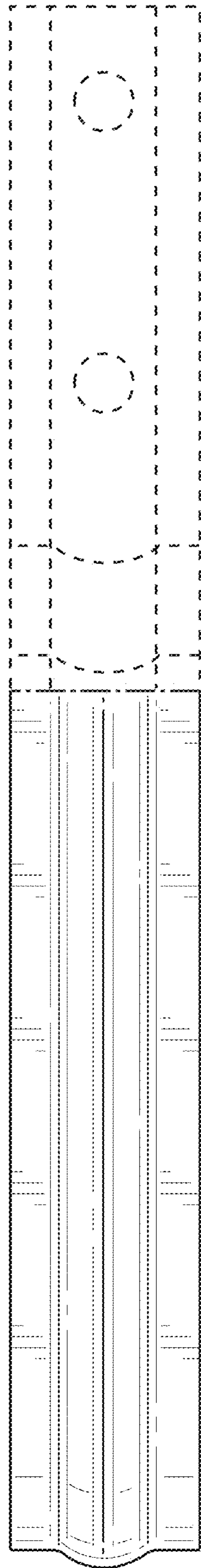


FIG. 14