



US00D945354S

(12) **United States Design Patent** (10) **Patent No.:** **US D945,354 S**
Richner (45) **Date of Patent:** **** Mar. 8, 2022**

(54) **GOLF CART CARGO BOX**

(71) Applicant: **Chris T. Richner**, Marine On St. Croix, MN (US)

(72) Inventor: **Chris T. Richner**, Marine On St. Croix, MN (US)

(**) Term: **15 Years**

(21) Appl. No.: **29/746,023**

(22) Filed: **Aug. 11, 2020**

(51) **LOC (13) Cl.** **12-16**

(52) **U.S. Cl.**
USPC **D12/414.1**

(58) **Field of Classification Search**
USPC D12/406–414.1
CPC B60R 9/04; B60R 9/055; B60R 9/052;
B60R 9/058
See application file for complete search history.

(56) **References Cited**

U.S. PATENT DOCUMENTS

D462,933 S *	9/2002	Itakura	D12/410
D480,680 S *	10/2003	Yonai	D12/410
D630,156 S *	1/2011	Farber	D12/413
D656,081 S *	3/2012	Yonai	D12/410
D670,230 S *	11/2012	Kataoka	D12/410
D840,323 S *	2/2019	Tako	D12/410
D863,203 S *	10/2019	Eriksson	D12/413
D876,317 S *	2/2020	Richner	D12/415
D911,254 S *	2/2021	Bourassa	D12/413

OTHER PUBLICATIONS

“Madjax Golf Cart Steel Cargo Utility Box” Madjax., posted date Sep. 1, 2018 [online], [retrieved on Sep. 23, 2021]. Retrieved from

the Internet <URL: <https://www.petesgolfcarts.com/truck-beds-bodies-parts/utility-beds/madjax-golf-cart-steel-cargo-utility-box-universal/>> (Year: 2018).*

“Revenge Golf Cart Cargo” Revenge Golf., posted date Nov. 11, 2014 [online], [retrieved on Sep. 23, 2021]. Retrieved from the Internet <URL: https://www.amazon.com/CARGO-Caddie-Plastic-Cargo-Straps/dp/B010EJQSHK/ref=sr_1_7?dchild=1&keywords=golf+cart+cargo+box&qid=1632446182&sr=8-7> (Year: 2014).*

“Polaris Lock & Ride 69 QT Cargo Box” Polaris., posted date Aug. 21, 2015 [online], [retrieved on Sep. 23, 2021]. Retrieved from the Internet <URL: https://www.amazon.com/Polaris-Lock-Cargo-Black-2881193/dp/B01LWBEANL/ref=sr_1_40?dchild=1&keywords=golf+cart+cargo+box&qid=1632446182&sr=8-40> (Year: 2015).*

* cited by examiner

Primary Examiner — Darlington Ly

Assistant Examiner — Nasim Abdulaziz Ali

(74) *Attorney, Agent, or Firm* — Edwin E. Voigt, II

(57) **CLAIM**

The ornamental design for a golf cart cargo box, as shown and described.

DESCRIPTION

FIG. 1 is a front perspective view of the golf cart cargo box showing my new design as positioned on a golf cart shown in broken line;

FIG. 2 is a front perspective view thereof;

FIG. 3 is a front elevation view thereof;

FIG. 4 is a right side elevation view thereof;

FIG. 5 is a rear elevation view thereof;

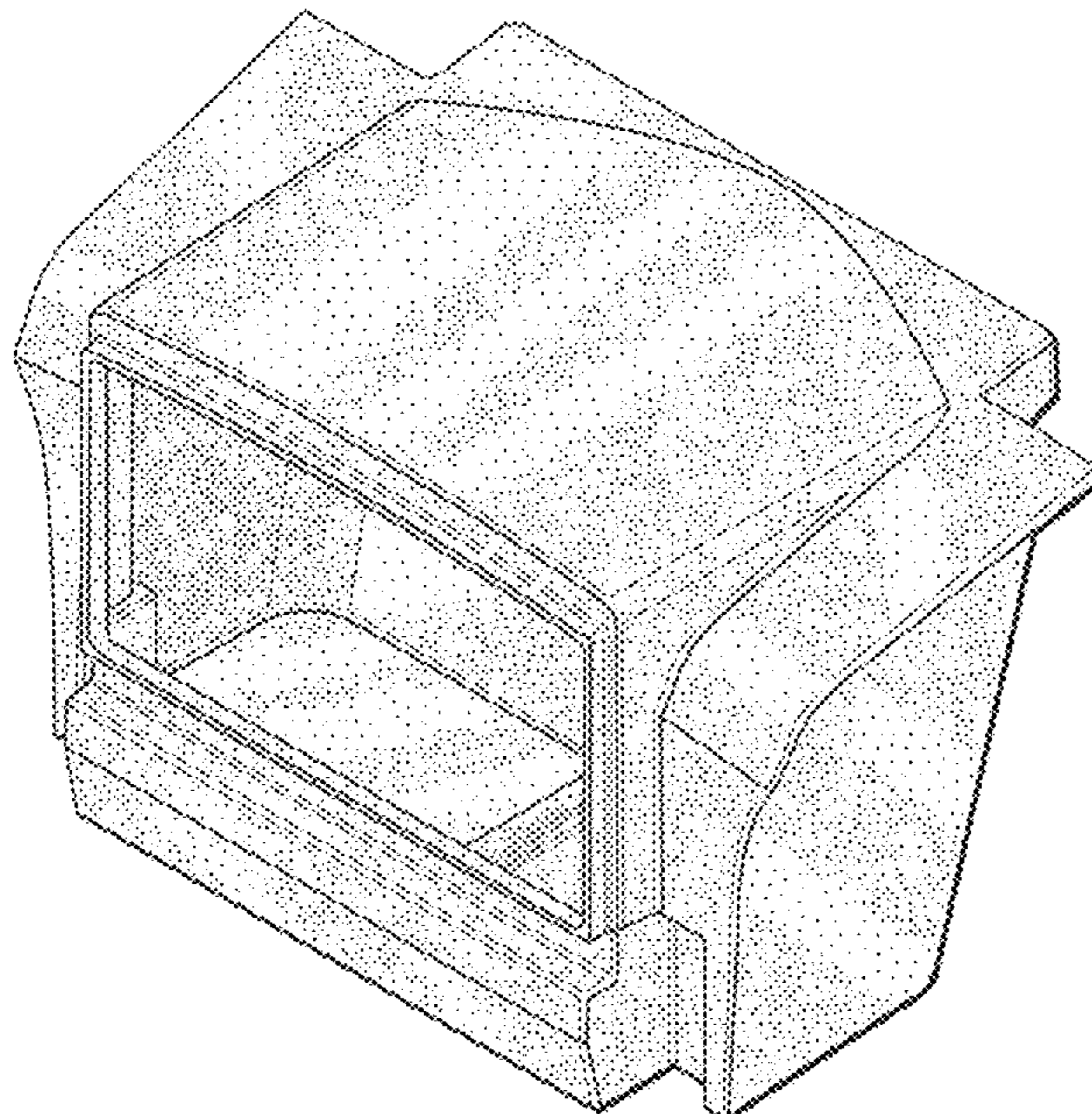
FIG. 6 is a bottom plan view thereof;

FIG. 7 is a top plan view thereof; and,

FIG. 8 is a left side elevation view thereof.

The broken lines in the drawings illustrate portions of the golf cart cargo box and environmental golf cart that do not form part of the claimed design.

1 Claim, 4 Drawing Sheets



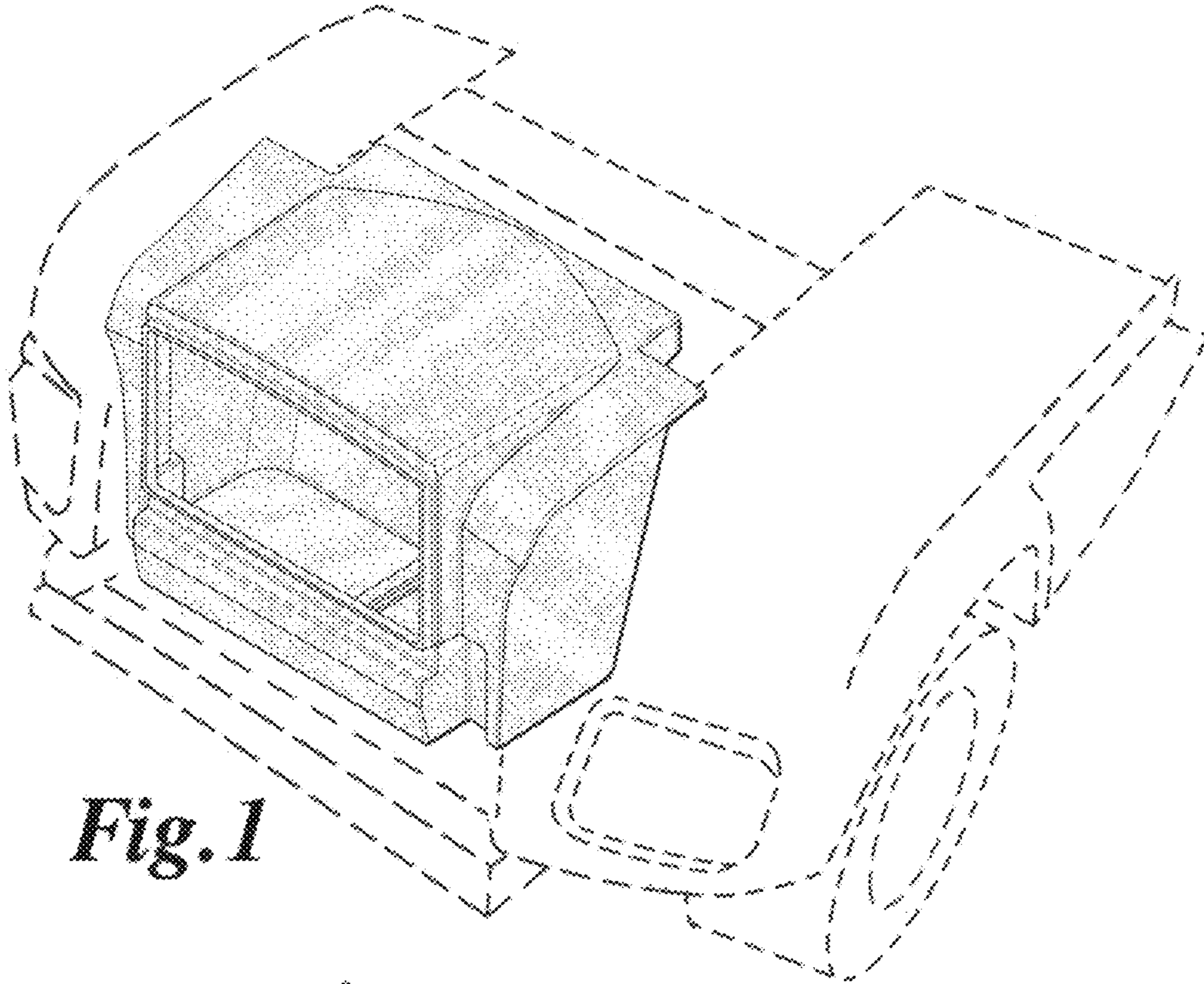


Fig. 1

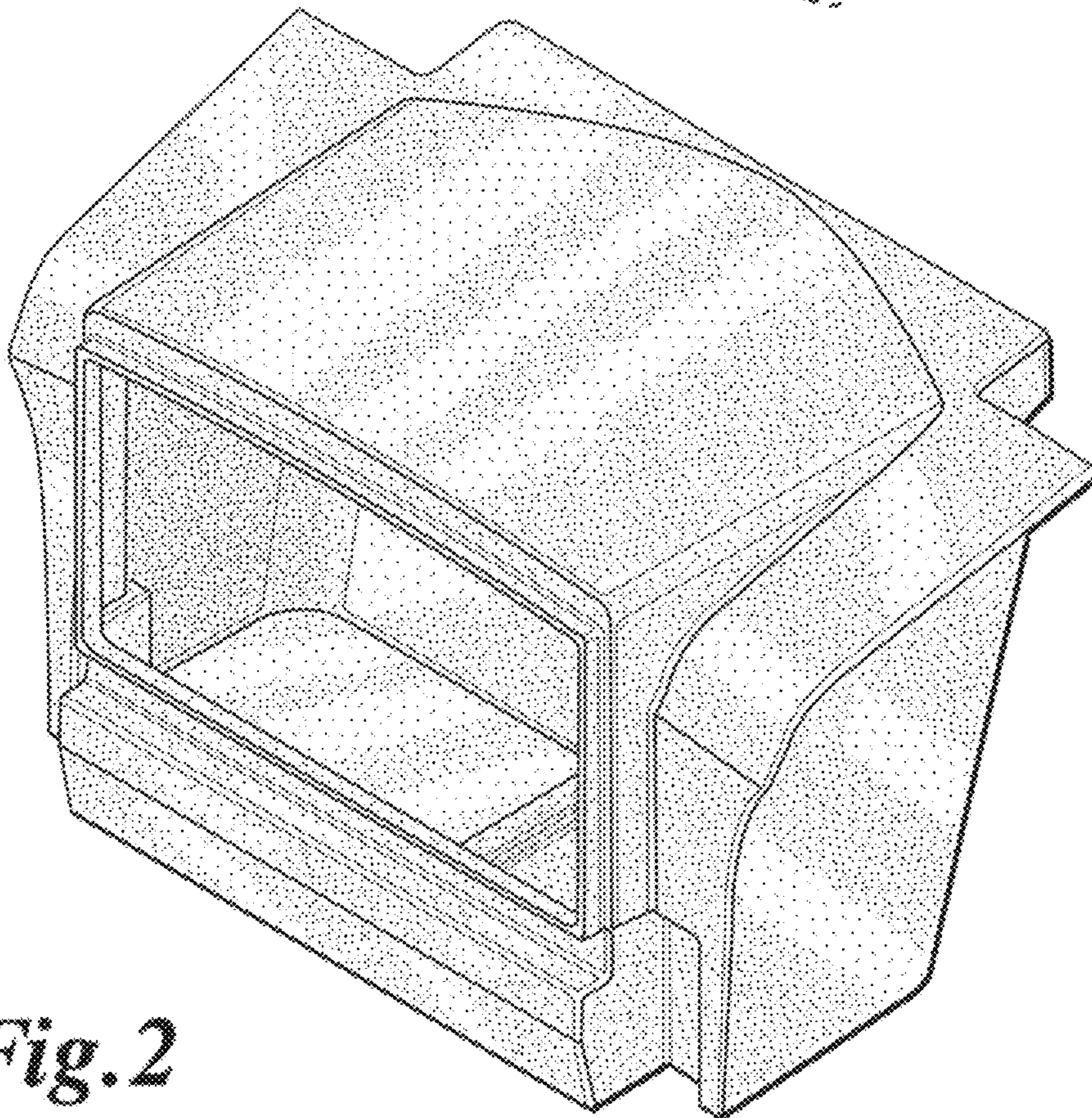


Fig. 2

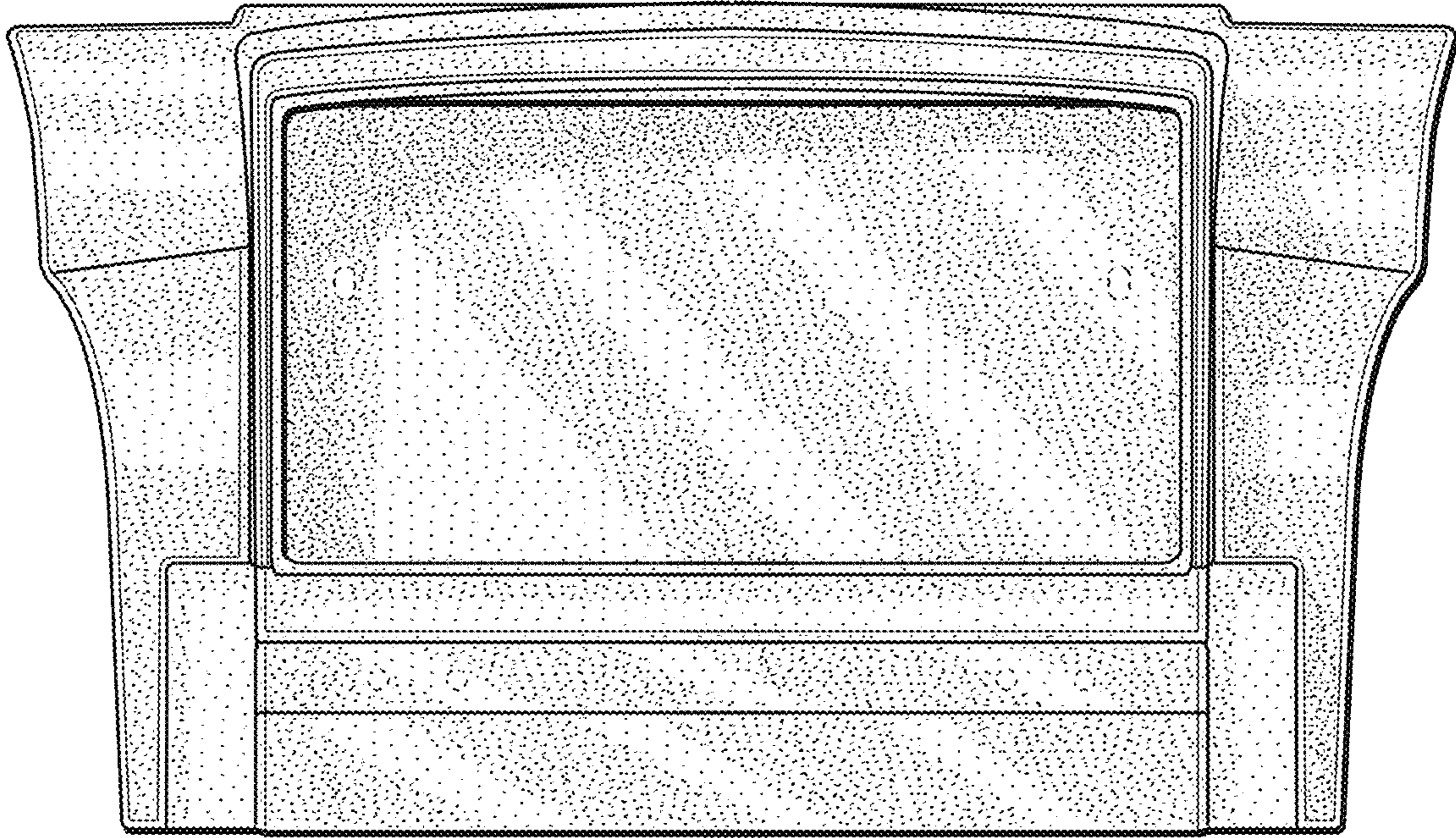


Fig. 3

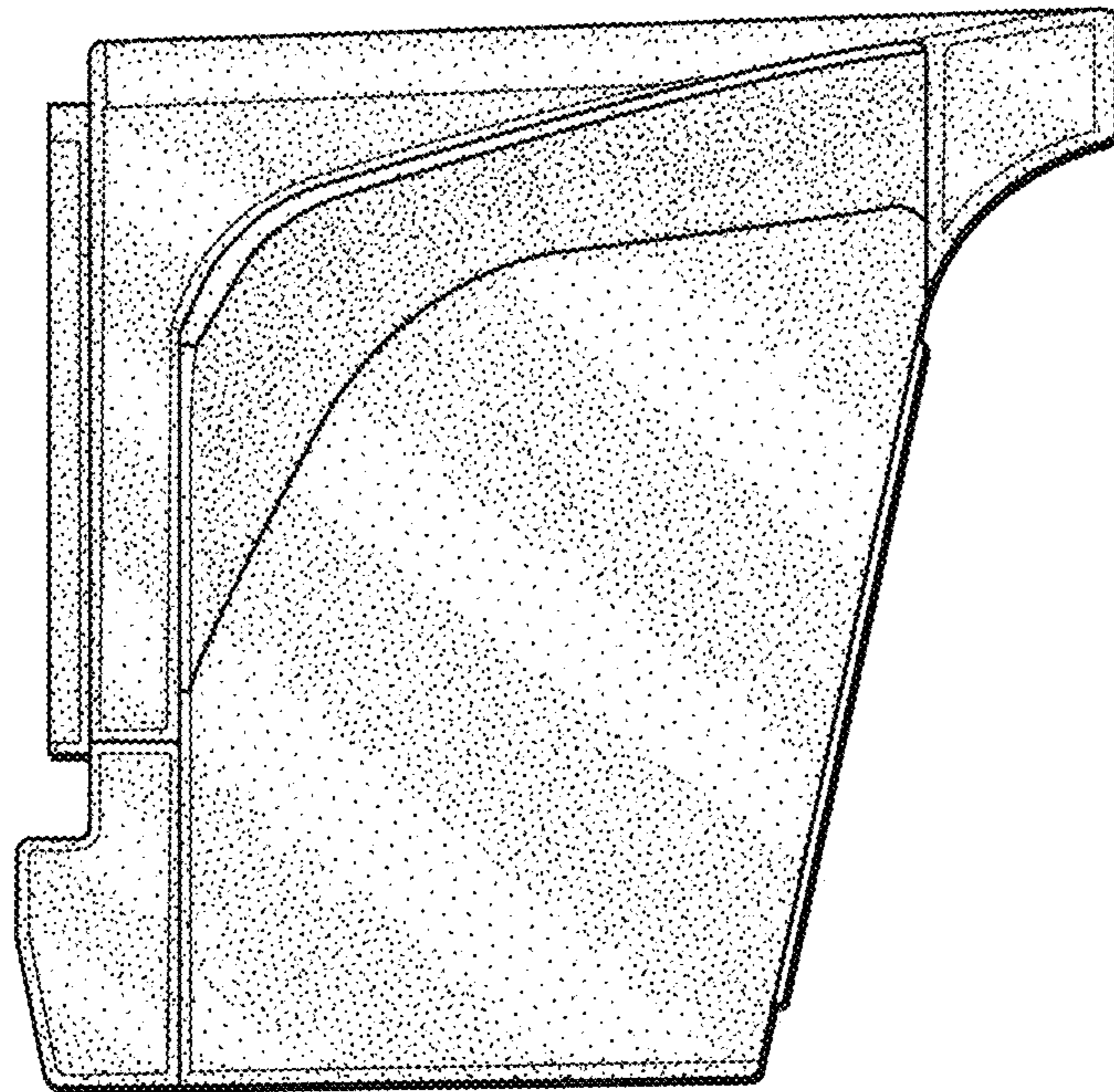


Fig. 4

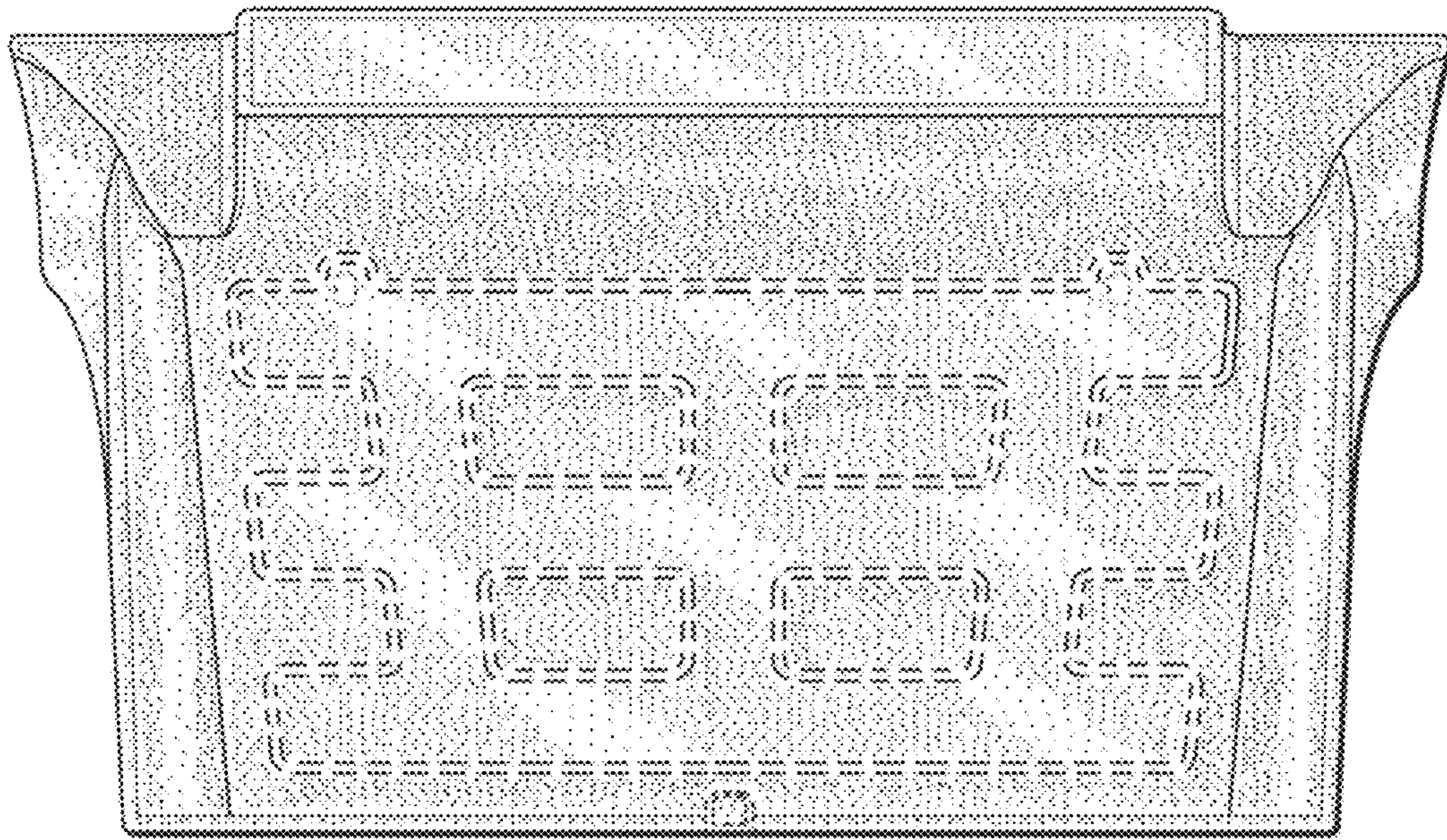


Fig. 5

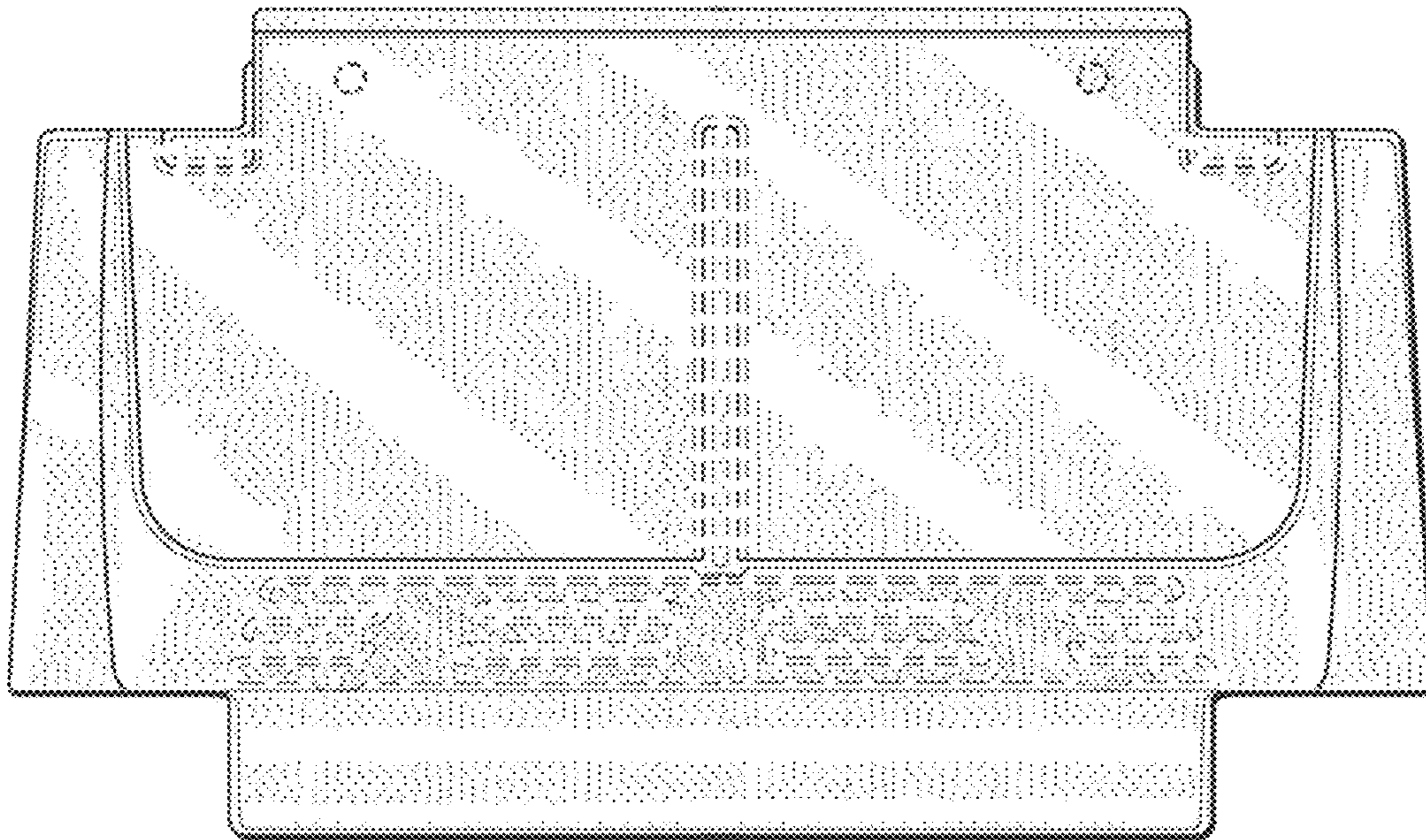


Fig. 6

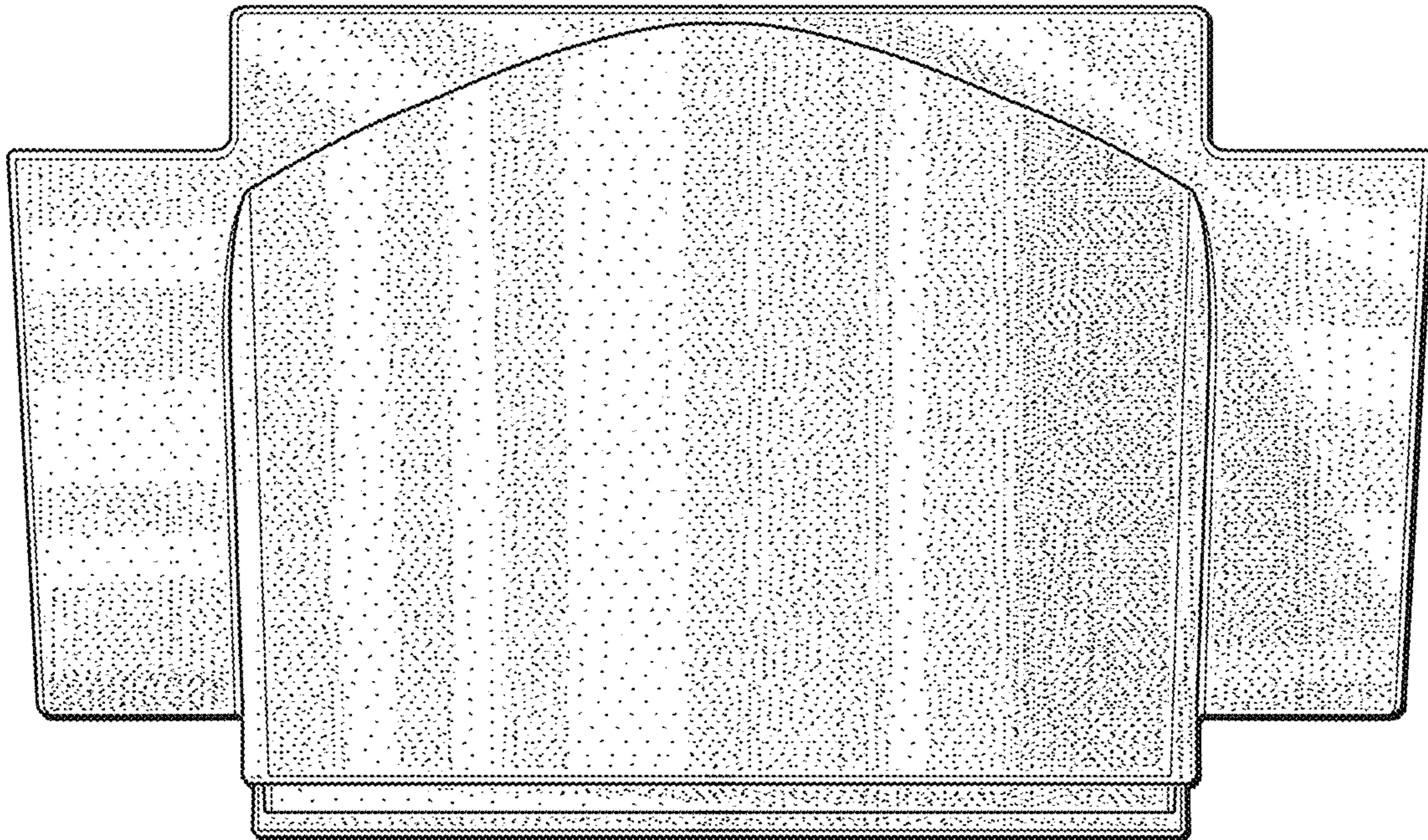


Fig. 7

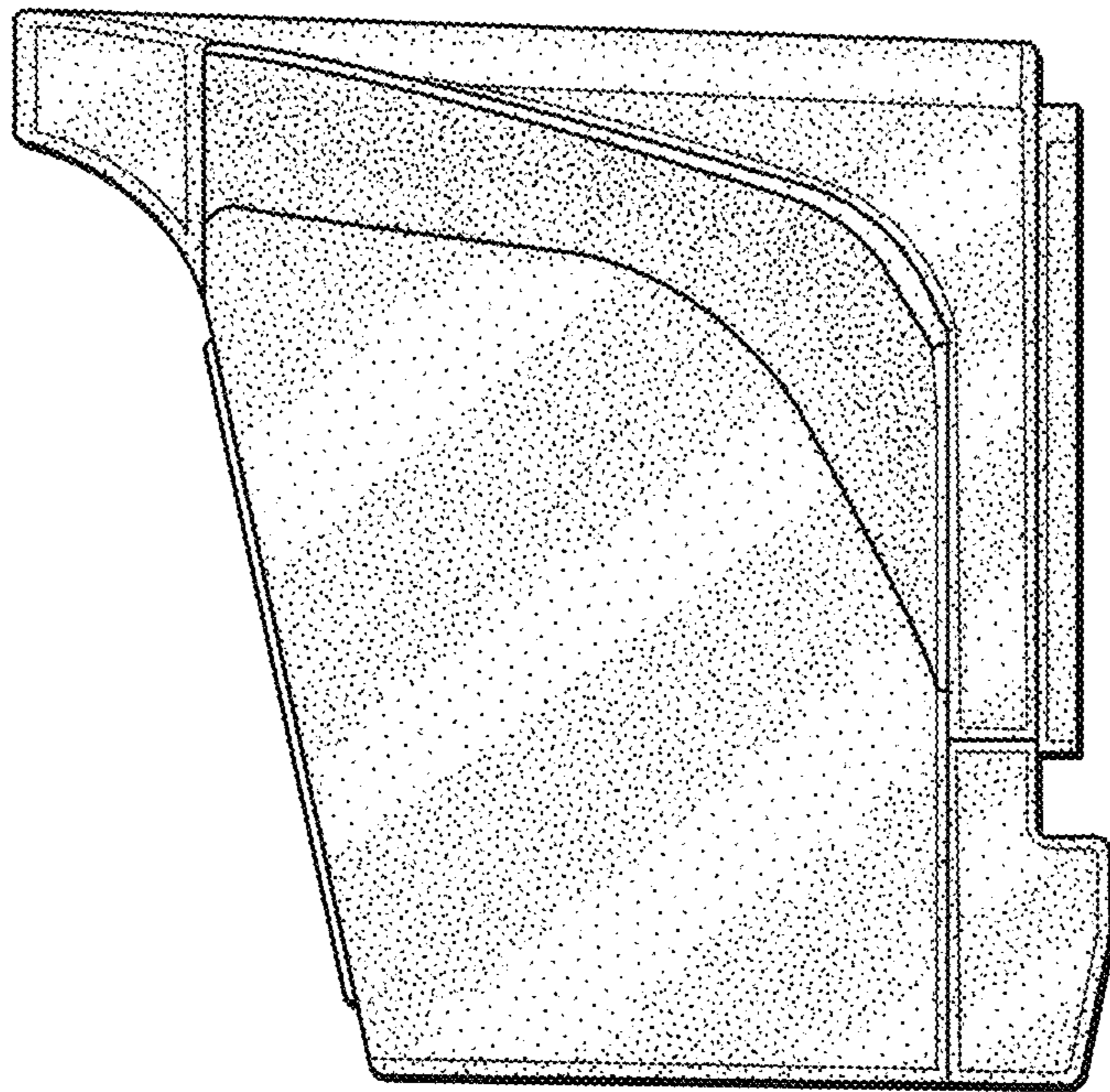


Fig. 8