



US00D945353S

(12) **United States Design Patent** (10) **Patent No.:** **US D945,353 S**  
**Venter** (45) **Date of Patent:** **\*\* Mar. 8, 2022**

(54) **PAYLOAD DELIVERY DEVICE**  
(71) Applicant: **Jacques Venter**, Rivonia (ZA)  
(72) Inventor: **Jacques Venter**, Rivonia (ZA)  
(\*\*) Term: **15 Years**  
(21) Appl. No.: **29/698,204**  
(22) Filed: **Jul. 15, 2019**

(30) **Foreign Application Priority Data**

Jan. 14, 2019 (ZA) ..... A2019/00106

(51) **LOC (13) Cl.** ..... **12-16**

(52) **U.S. Cl.**  
USPC ..... **D12/406**

(58) **Field of Classification Search**  
USPC ..... D12/401-414; D6/610-611, 552;  
D3/304-306  
CPC .... B60R 9/00; B60R 9/02; B60R 9/04; B60R  
9/08; B60R 9/042; B60R 9/0423; B60R  
9/0426; B60R 9/045; B60R 9/048; B60R  
9/0485; B60R 9/05; B60R 9/052; B60R  
9/055; B60R 9/058; B60R 9/06; B60R  
9/065; B60R 9/10; B60R 9/12

See application file for complete search history.

(56) **References Cited**

**U.S. PATENT DOCUMENTS**

D244,268 S *	5/1977	Hinch	.....	D12/412
D306,003 S *	2/1990	Berkan, Jr.	.....	D12/414
D398,284 S *	9/1998	Carter	.....	D12/406
D646,621 S *	10/2011	Mulanon	.....	B62D 33/02
				D12/406
D751,971 S *	3/2016	Patel	.....	D12/406
D829,636 S *	10/2018	Murty	.....	D12/406
D830,947 S *	10/2018	Adler	.....	B60R 9/06
				D12/406
D843,922 S *	3/2019	Ting	.....	D12/414

D919,550 S *	5/2021	Teng	.....	B62D 33/0207
				D12/412
2014/0034696 A1 *	2/2014	Marr	.....	B60R 9/045
				224/405
2017/0057419 A1 *	3/2017	Olsen	.....	B60R 9/06
2018/0072237 A1 *	3/2018	Kuschmeader	.....	B60R 9/10
2020/0406827 A1 *	12/2020	Ni	.....	B60R 9/06

\* cited by examiner

*Primary Examiner* — Katrina A Betton

(74) *Attorney, Agent, or Firm* — Banner & Witcoff, Ltd.

(57) **CLAIM**

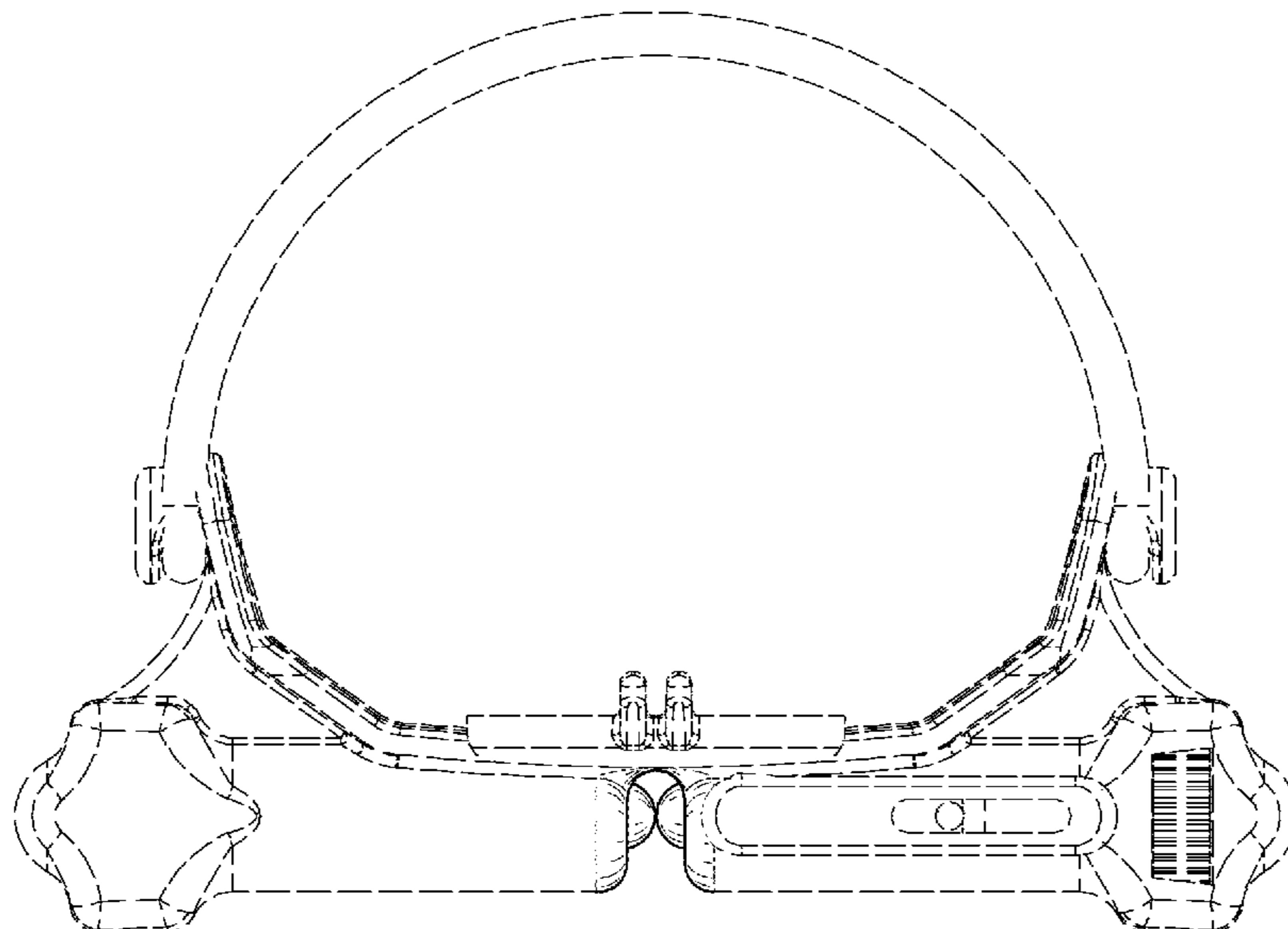
The ornamental design for a payload delivery device, as shown and described.

**DESCRIPTION**

FIG. 1 is a front view of the payload delivery device showing a first embodiment of my new design; FIG. 2 is a bottom plan view thereof; FIG. 3 is an enlarged front view thereof; FIG. 4 is a cross-sectional view taken through line 4-4 of FIG. 3; FIG. 5 is a bottom perspective view thereof; FIG. 6 is an enlarged bottom perspective view thereof; FIG. 7 is a rear perspective view of the payload delivery device showing a second embodiment of my new design; FIG. 8 is a front view thereof; FIG. 9 is a bottom view thereof; FIG. 10 is an enlarged front view thereof; FIG. 11 an enlarged bottom-rear perspective view thereof; and, FIG. 12 a cross-sectional view taken through line 12-12 of FIG. 10.

The uneven-length broken lines adjacent the shaded area represent boundaries of the design and form no part thereof. The even-length broken line showing of the remainder of the payload delivery device represents portions which form no part of the claimed design.

**1 Claim, 5 Drawing Sheets**



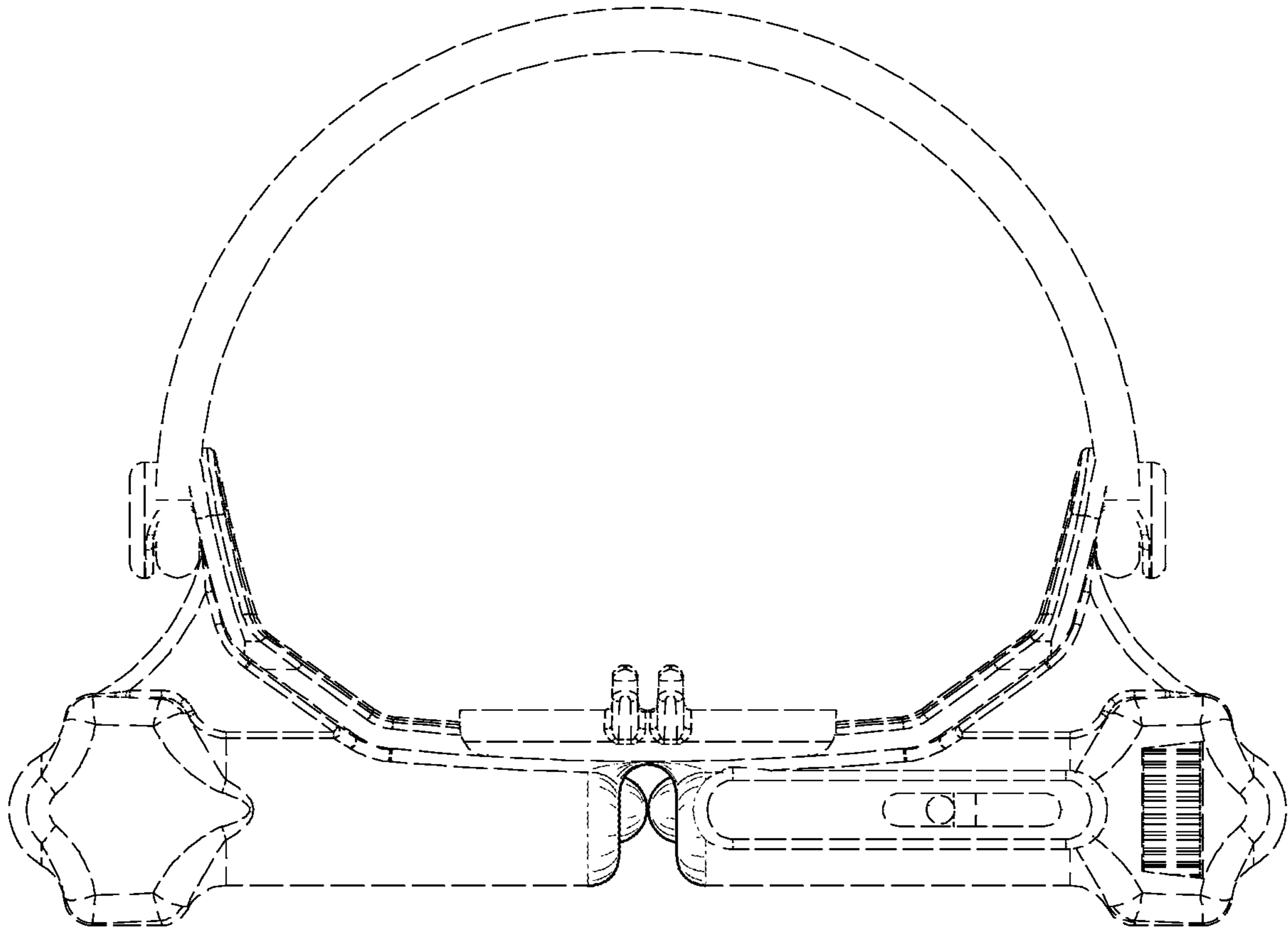


FIG. 1

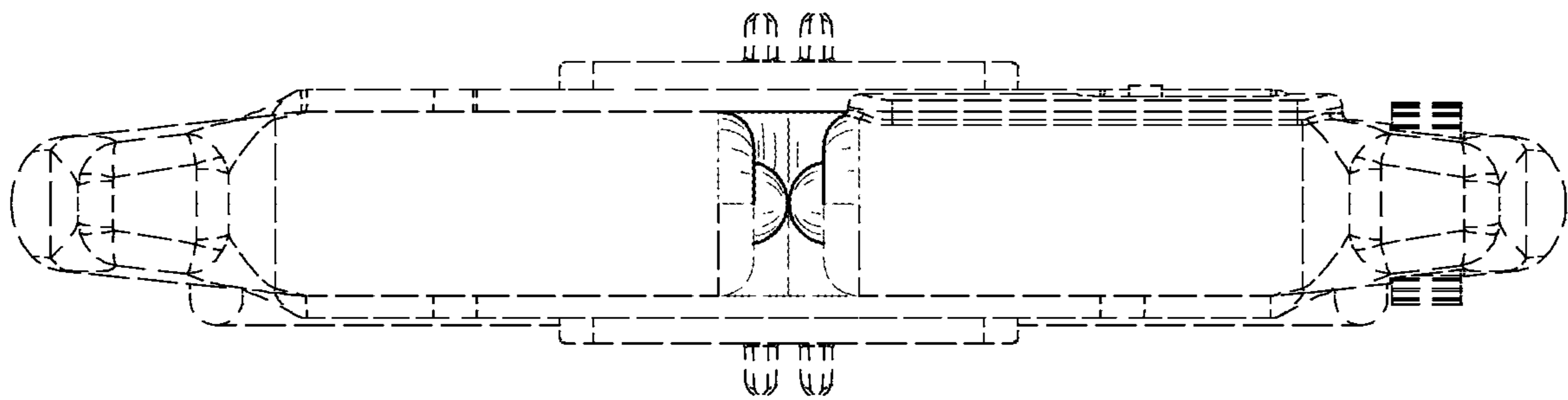


FIG. 2

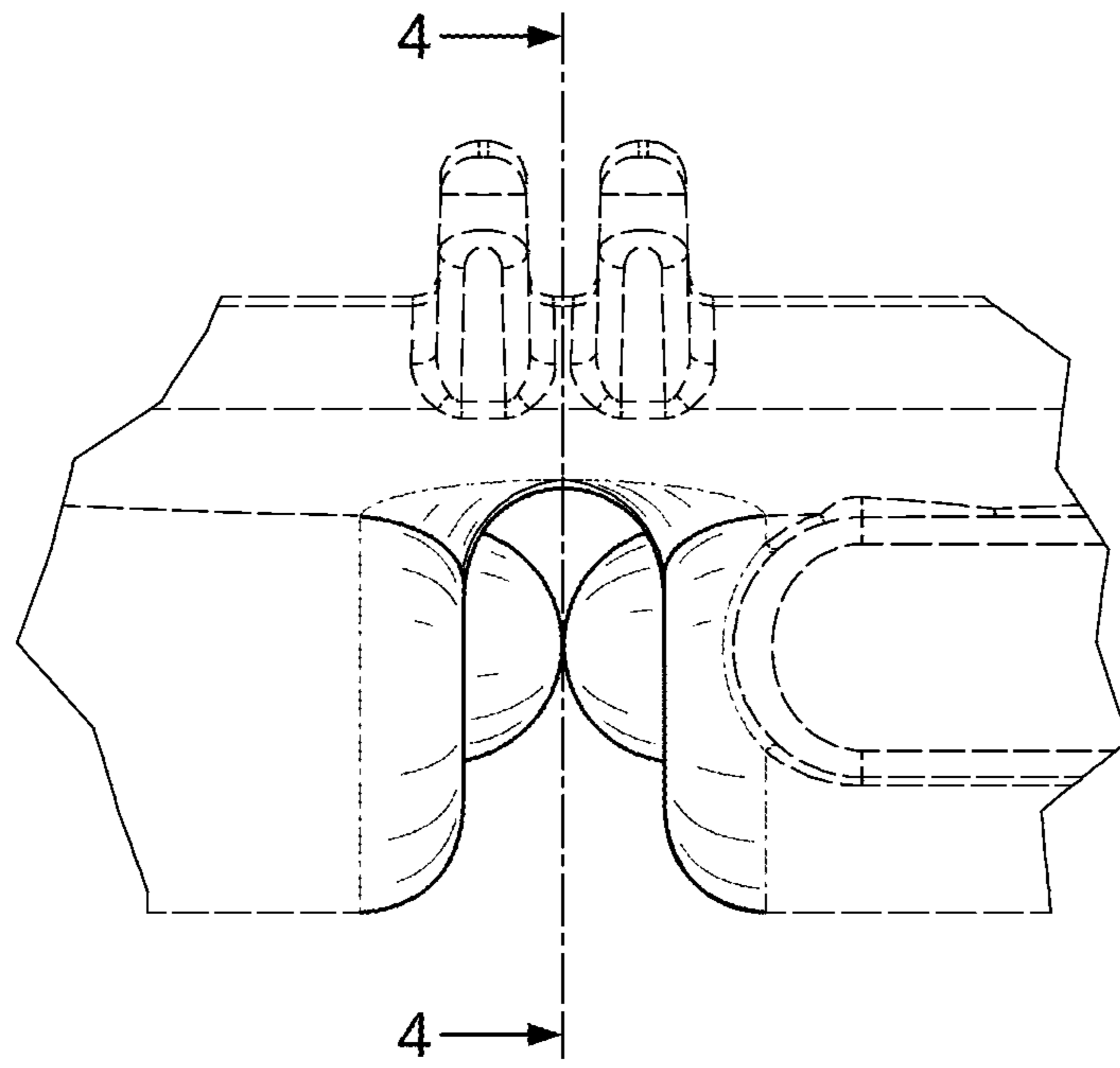


FIG. 3

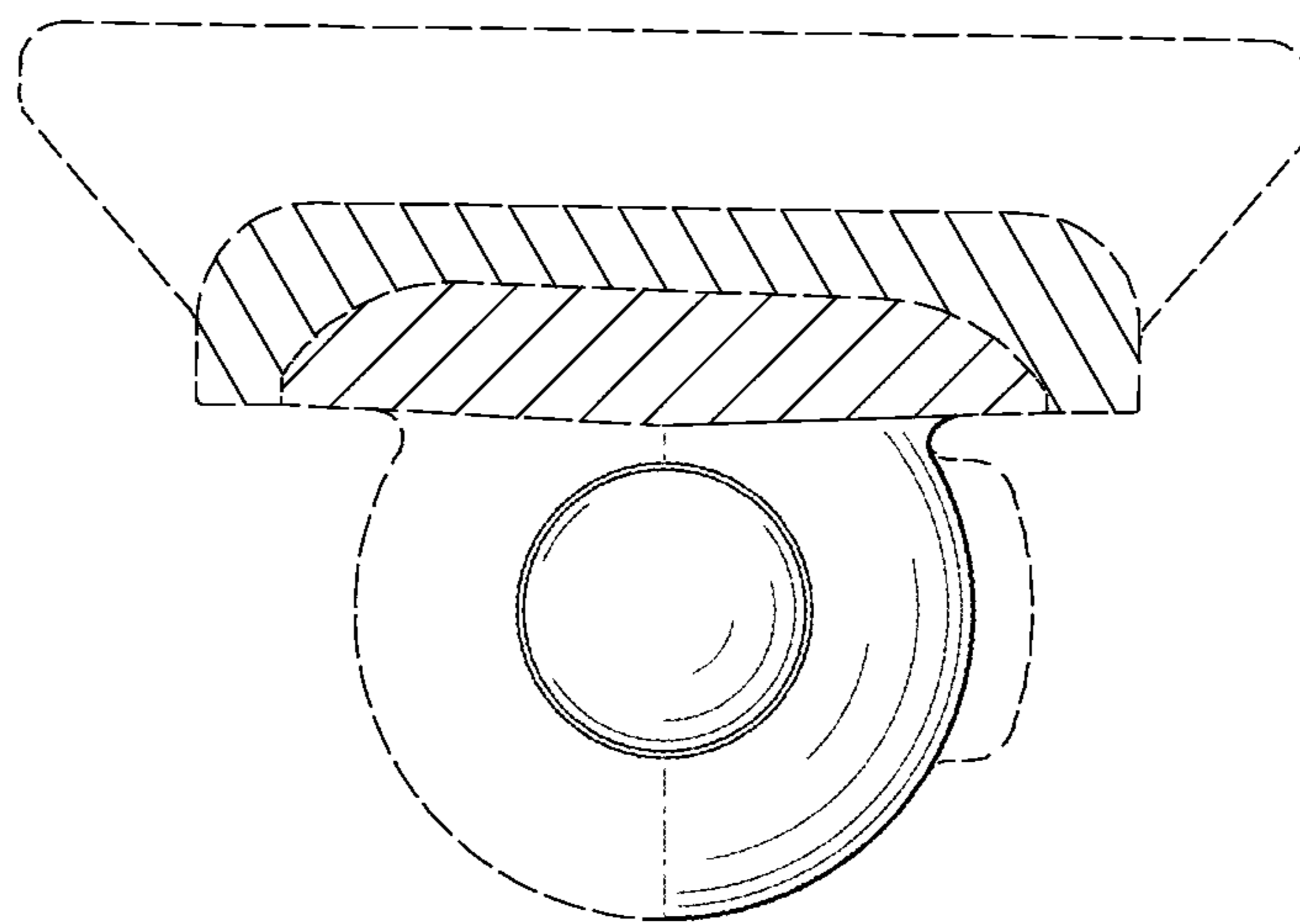


FIG. 4

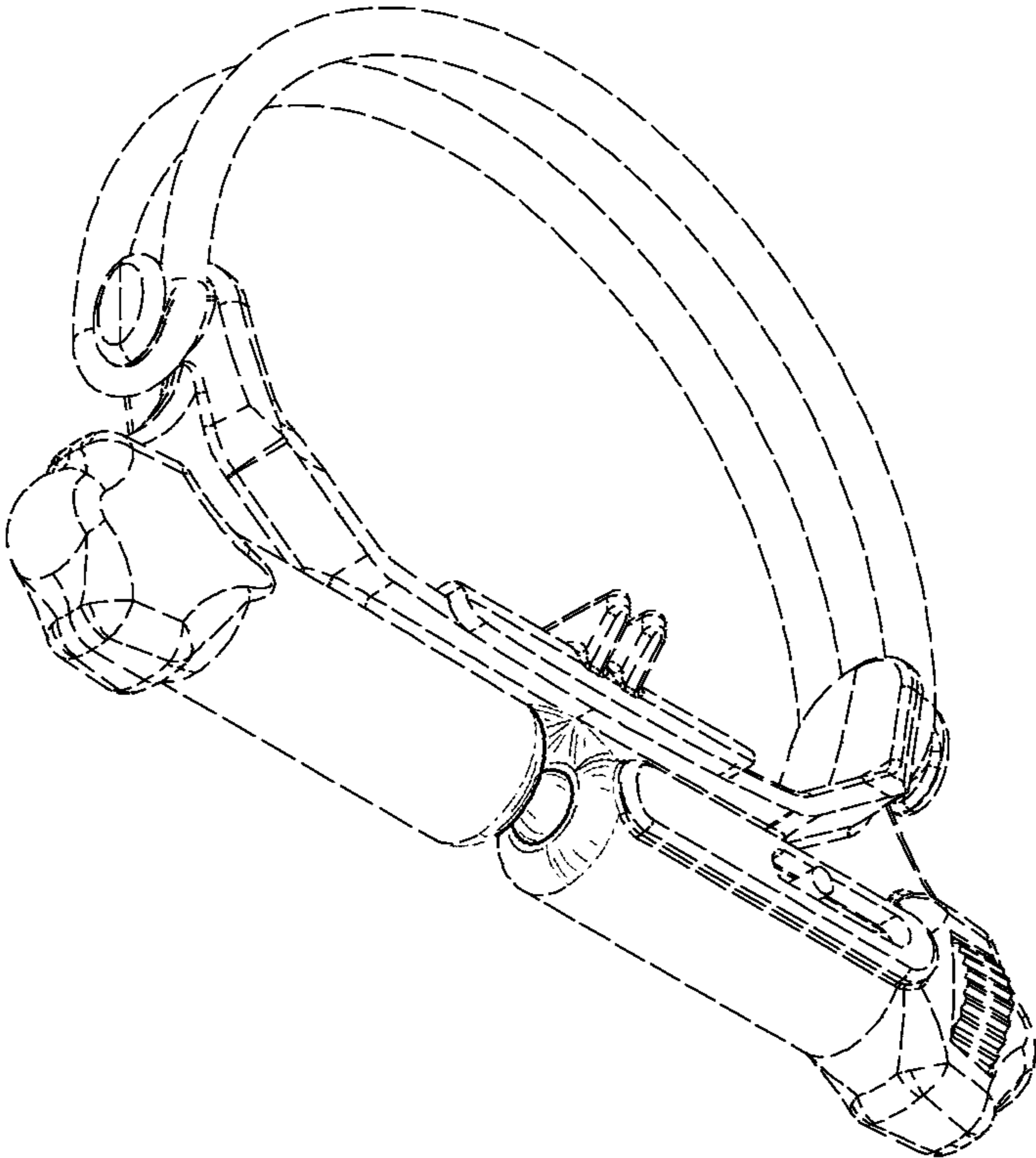


FIG. 5

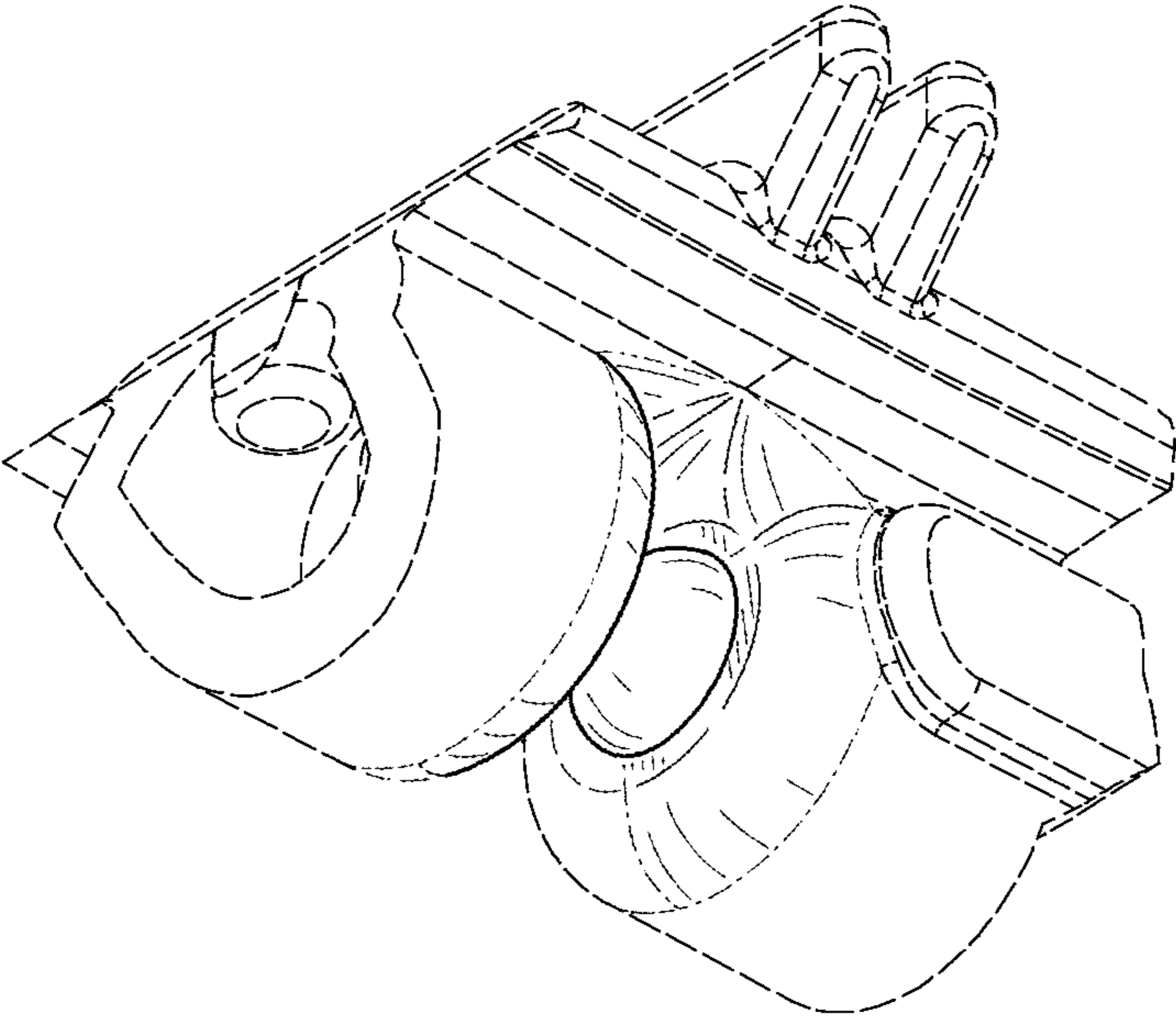


FIG. 6



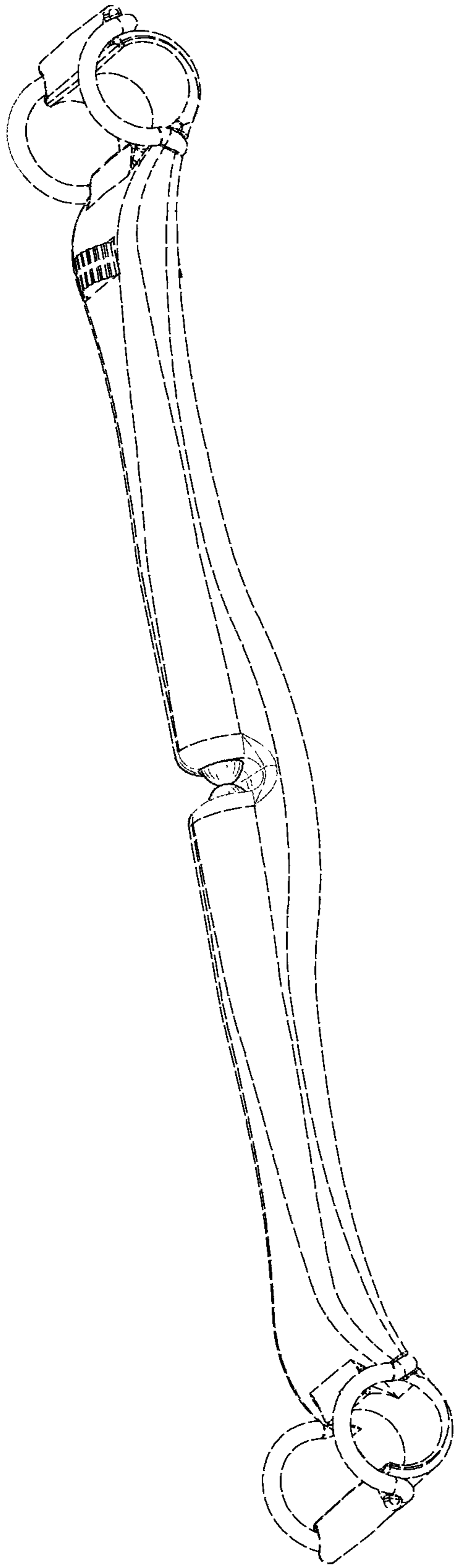


FIG. 7

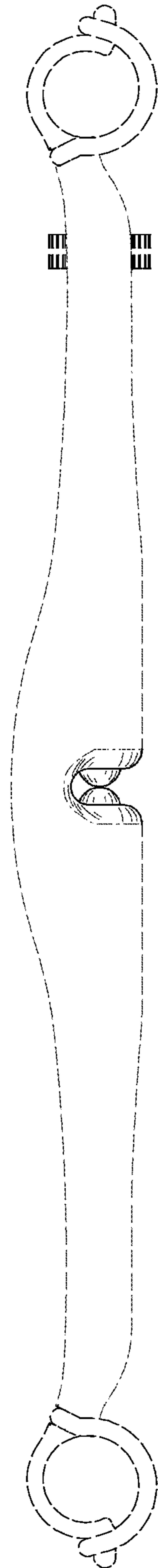


FIG. 8

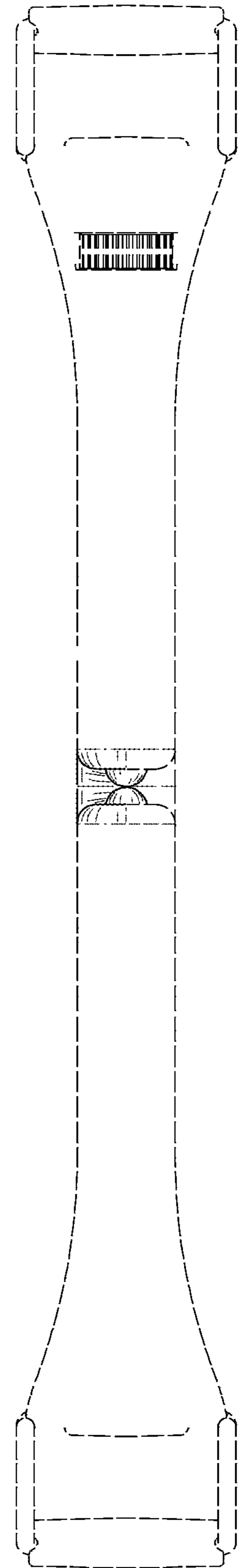


FIG. 9

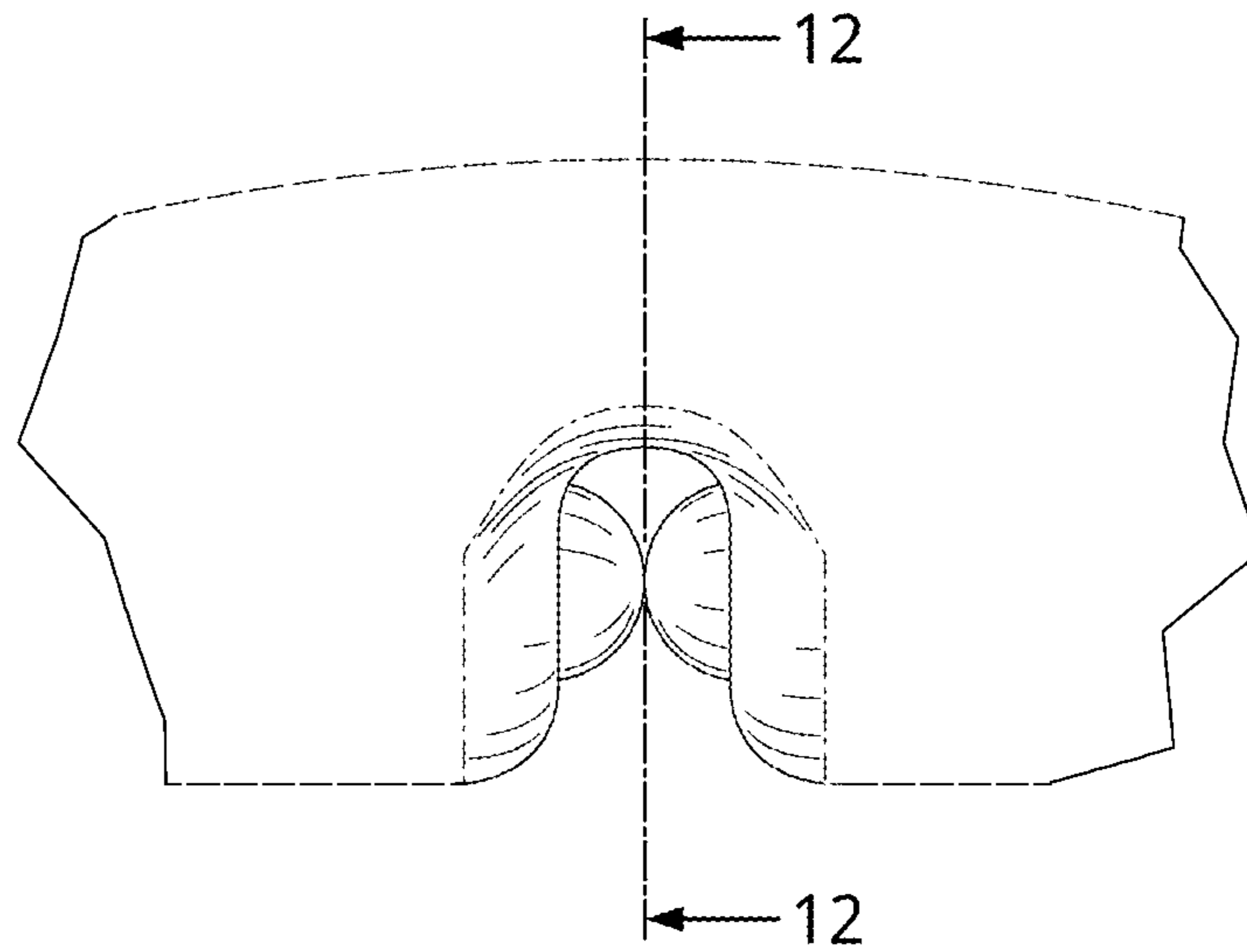


FIG. 10

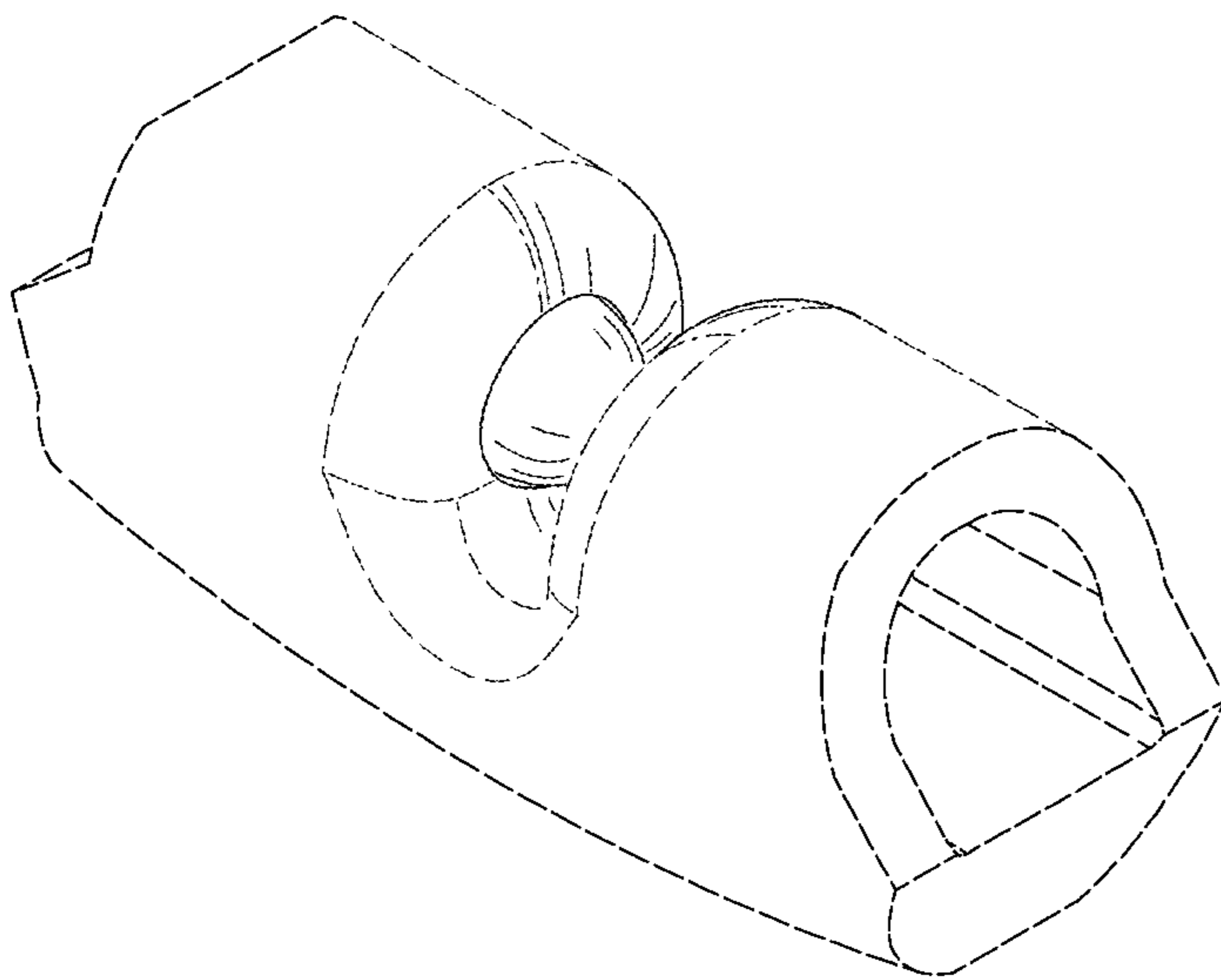


FIG. 11

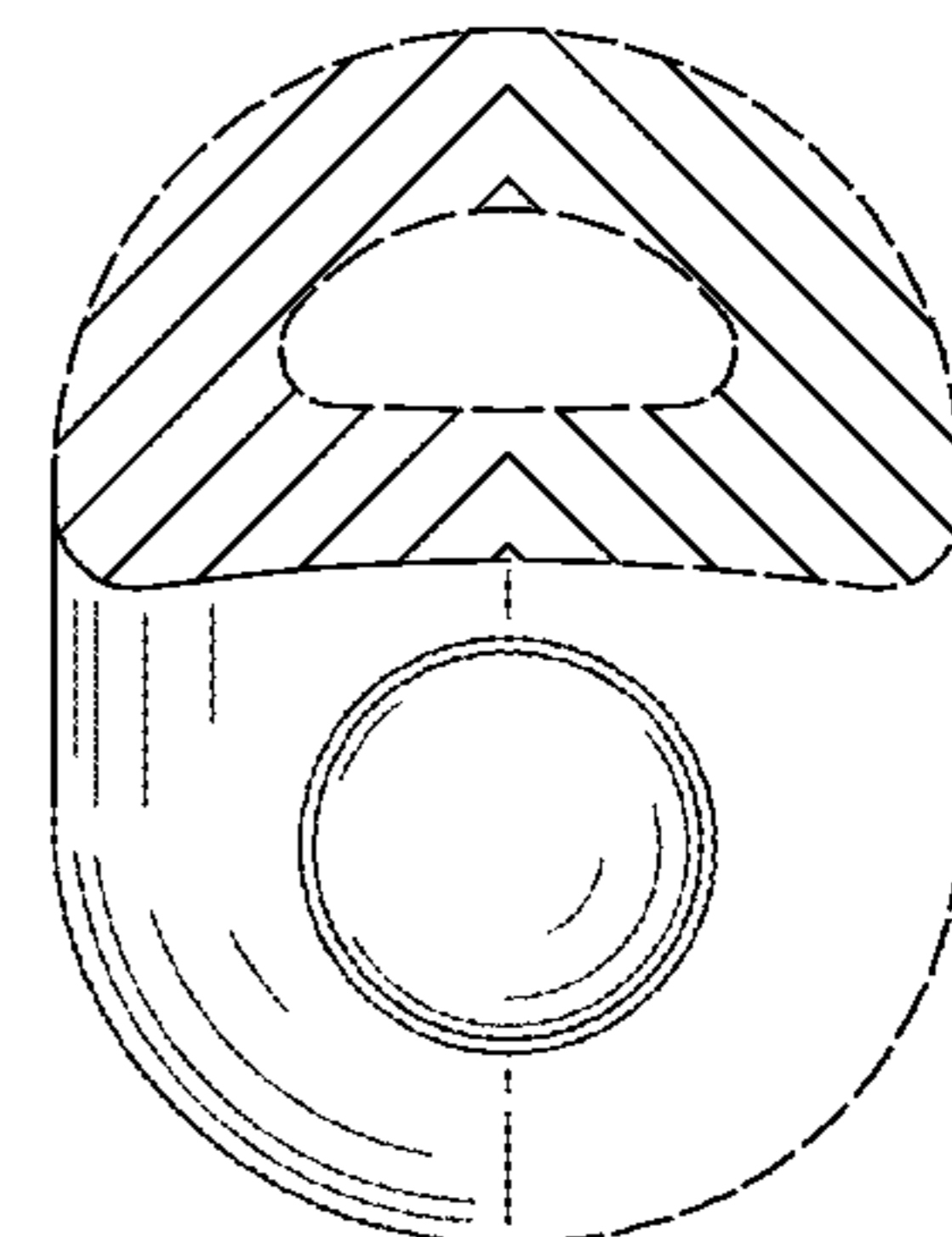


FIG. 12