



US00D945352S

(12) **United States Design Patent** (10) **Patent No.:** **US D945,352 S**  
**Naylor** (45) **Date of Patent:** **\*\* Mar. 8, 2022**

(54) **ROBOTICALLY ASSISTED POWER LINE  
AERIAL DIVERTER MOUNTING TOOL**

(71) Applicant: **Connell Naylor**, Rock Springs, WY  
(US)

(72) Inventor: **Connell Naylor**, Rock Springs, WY  
(US)

(\*\*) Term: **15 Years**

(21) Appl. No.: **29/666,650**

(22) Filed: **Oct. 15, 2018**

**Related U.S. Application Data**

(63) Continuation-in-part of application No. 16/160,401,  
filed on Oct. 15, 2018, now Pat. No. 10,456,926.

(51) **LOC (13) Cl.** ..... **12-07**

(52) **U.S. Cl.**  
USPC ..... **D12/345**; D12/16.1

(58) **Field of Classification Search**

USPC ..... D21/436, 441, 442, 443, 444, 447, 448,  
D21/449, 450, 451, 452, 453; D12/16.1,  
D12/174, 400, 223, 345; D14/433;  
D8/354, 349

CPC ..... B64C 2201/18; B64C 39/024; B64C  
2201/108; B64C 2201/088; B64C  
2201/165; B64C 2201/104; B64C  
2201/208; B64C 2201/128; B64C  
2201/141; B64C 29/0091; B64C  
2201/148; B25J 15/0033; B25J 15/0019;  
B64F 1/22; B64D 45/04; G08G 5/0013;  
G08G 5/02

See application file for complete search history.

(56) **References Cited**

**U.S. PATENT DOCUMENTS**

D386,666 S \* 11/1997 Hodges ..... D8/349  
D439,135 S \* 3/2001 Elmer ..... D8/349

D666,205 S \* 8/2012 Li ..... D14/452  
8,438,998 B2 5/2013 Spencer  
D716,642 S \* 11/2014 Harges ..... D8/380  
D766,159 S \* 9/2016 Noorani ..... D12/345  
D795,785 S \* 8/2017 Morrison ..... D12/345  
D849,007 S \* 5/2019 Clayman, Jr. .... D14/433  
D859,413 S \* 9/2019 Clayman, Jr. .... D14/433  
10,456,926 B1 \* 10/2019 Naylor ..... B64D 47/00  
2015/0158598 A1 \* 6/2015 You ..... B64F 1/18  
701/16  
2015/0175276 A1 \* 6/2015 Koster ..... B64C 39/024  
244/114 R

(Continued)

**OTHER PUBLICATIONS**

Prodrone, PD6B-AW-ARM, <https://www.prodrone.com/products/pd6b-aw-arm/>, Apr. 27, 2018.

(Continued)

*Primary Examiner* — Sandra Snapp  
*Assistant Examiner* — Ieisha N Price

(57) **CLAIM**

The ornamental design for a robotically assisted power line aerial diverter mounting tool, as shown and described.

**DESCRIPTION**

FIG. 1 is a top perspective view of a robotically assisted power line aerial diverter mounting tool showing my new design;

FIG. 2 is a bottom perspective view thereof;

FIG. 3 is a front elevation view thereof;

FIG. 4 is a back elevation view thereof;

FIG. 5 is a left elevation view thereof;

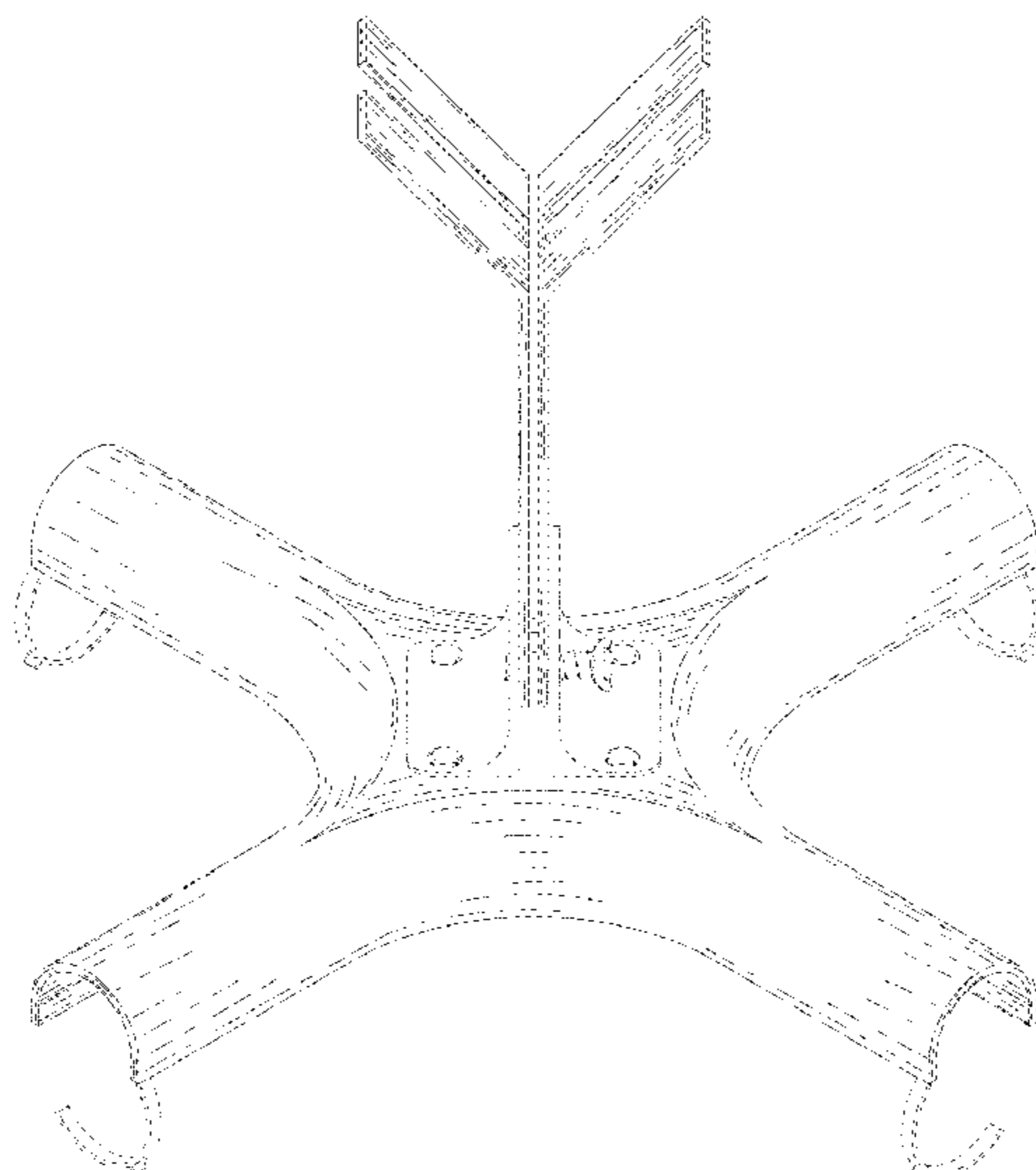
FIG. 6 is a right elevation view thereof;

FIG. 7 is a top plan view thereof; and,

FIG. 8 is a bottom plan view thereof.

The broken lines in the drawings illustrate portions of the robotically assisted power line aerial diverter mounting tool and form no part of the claimed design.

**1 Claim, 8 Drawing Sheets**



(56)

**References Cited**

U.S. PATENT DOCUMENTS

2015/0266575 A1\* 9/2015 Borko ..... B64F 1/12  
701/3  
2016/0039541 A1\* 2/2016 Beardsley ..... B64C 39/024  
701/2  
2016/0376031 A1\* 12/2016 Michalski ..... G08G 5/0013  
701/15  
2017/0073084 A1\* 3/2017 Mozer ..... B64F 1/24  
2017/0217323 A1\* 8/2017 Antonini ..... B60L 53/30  
2019/0016476 A1\* 1/2019 Scherz ..... B64F 1/364  
2019/0202578 A1\* 7/2019 Fox ..... B64C 39/024  
2020/0239161 A1\* 7/2020 Garth ..... B64F 1/32  
2020/0290753 A1\* 9/2020 Anastassacos ..... B64C 39/028  
2020/0377210 A1\* 12/2020 McRoberts ..... B64C 39/022

OTHER PUBLICATIONS

Crocfast, Crocfast Fitting Tool, <https://birddiverter.eu/fitting-tool>,  
Apr. 30, 2018.

\* cited by examiner

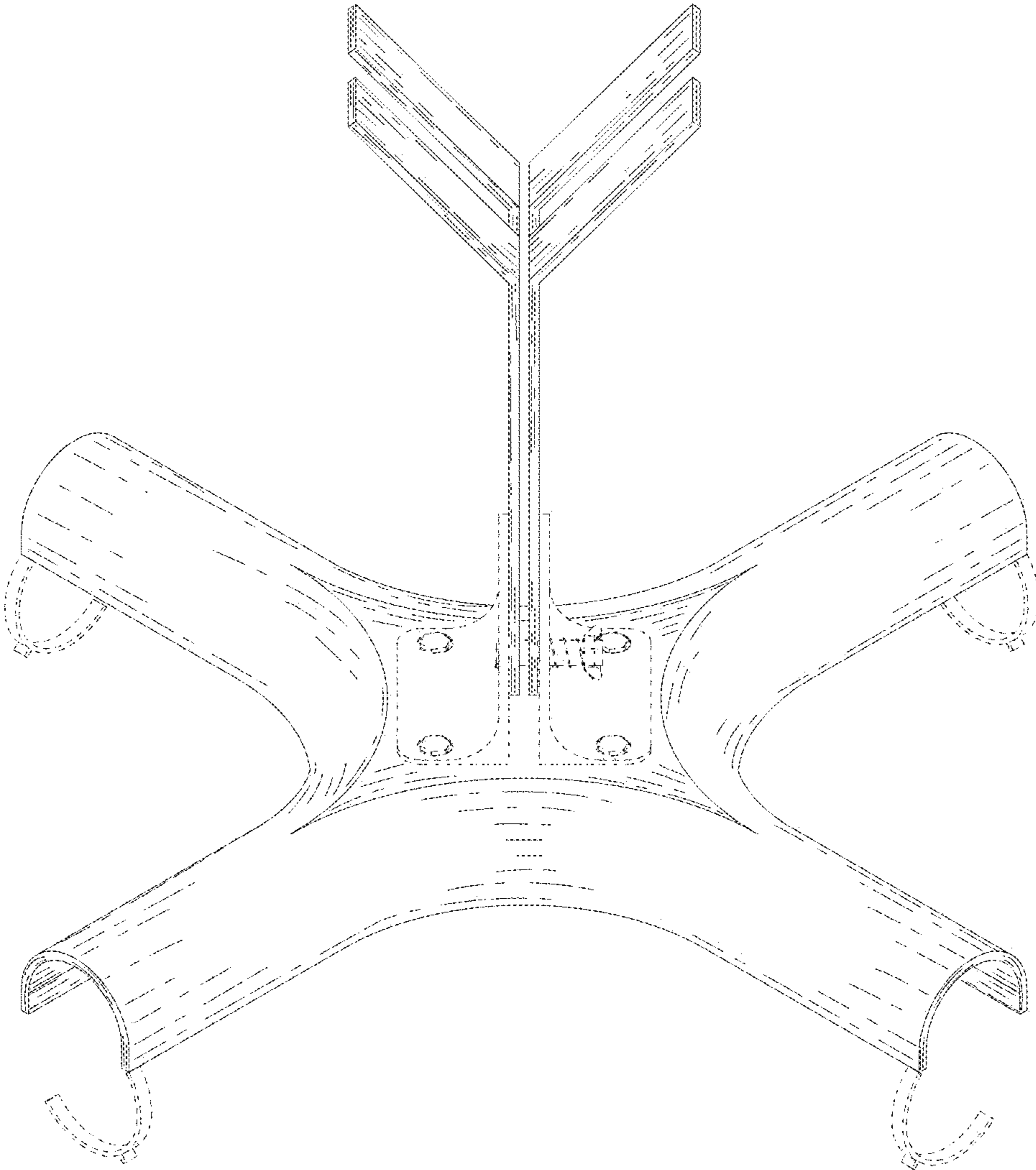


FIG. 1

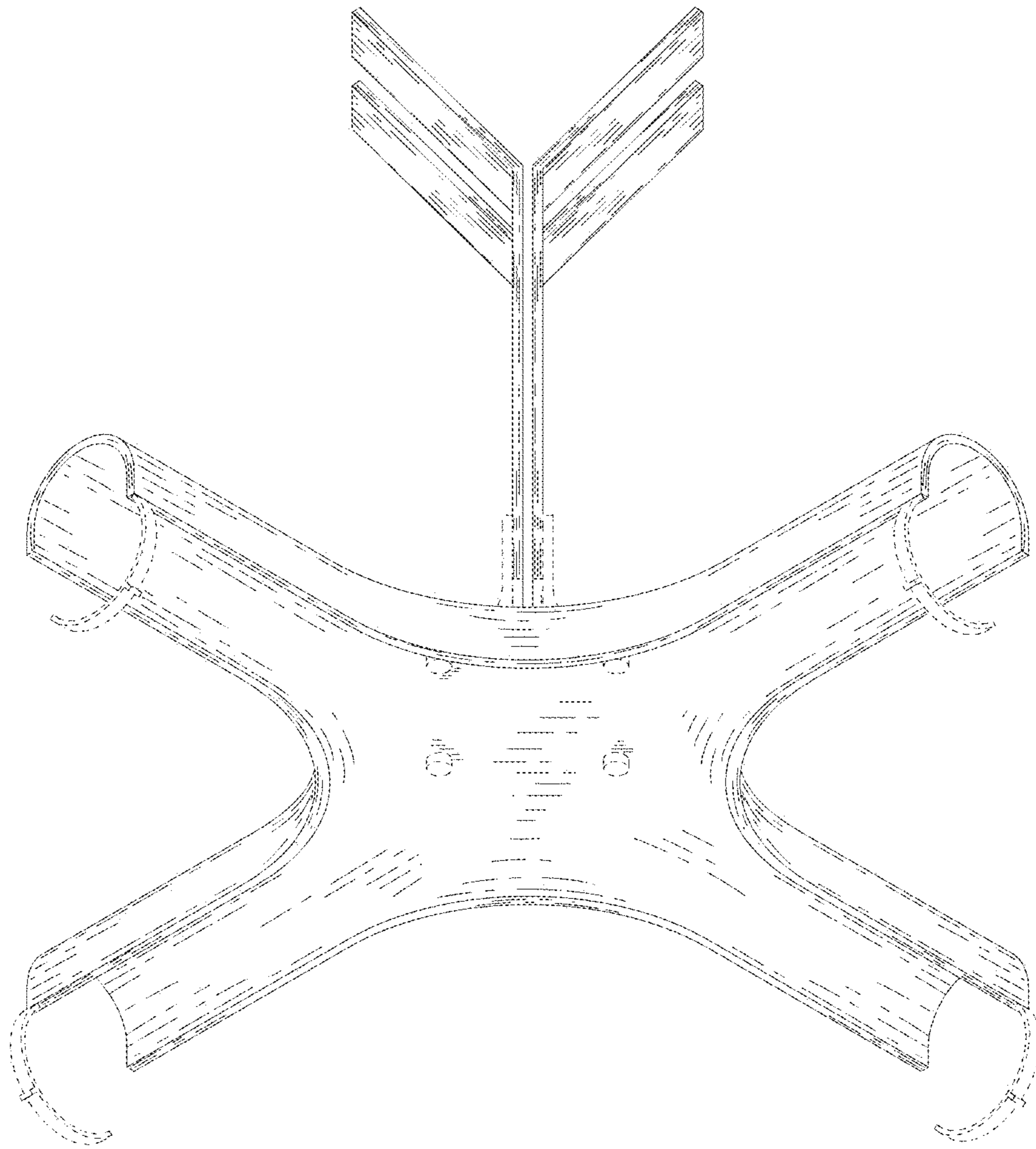


FIG. 2

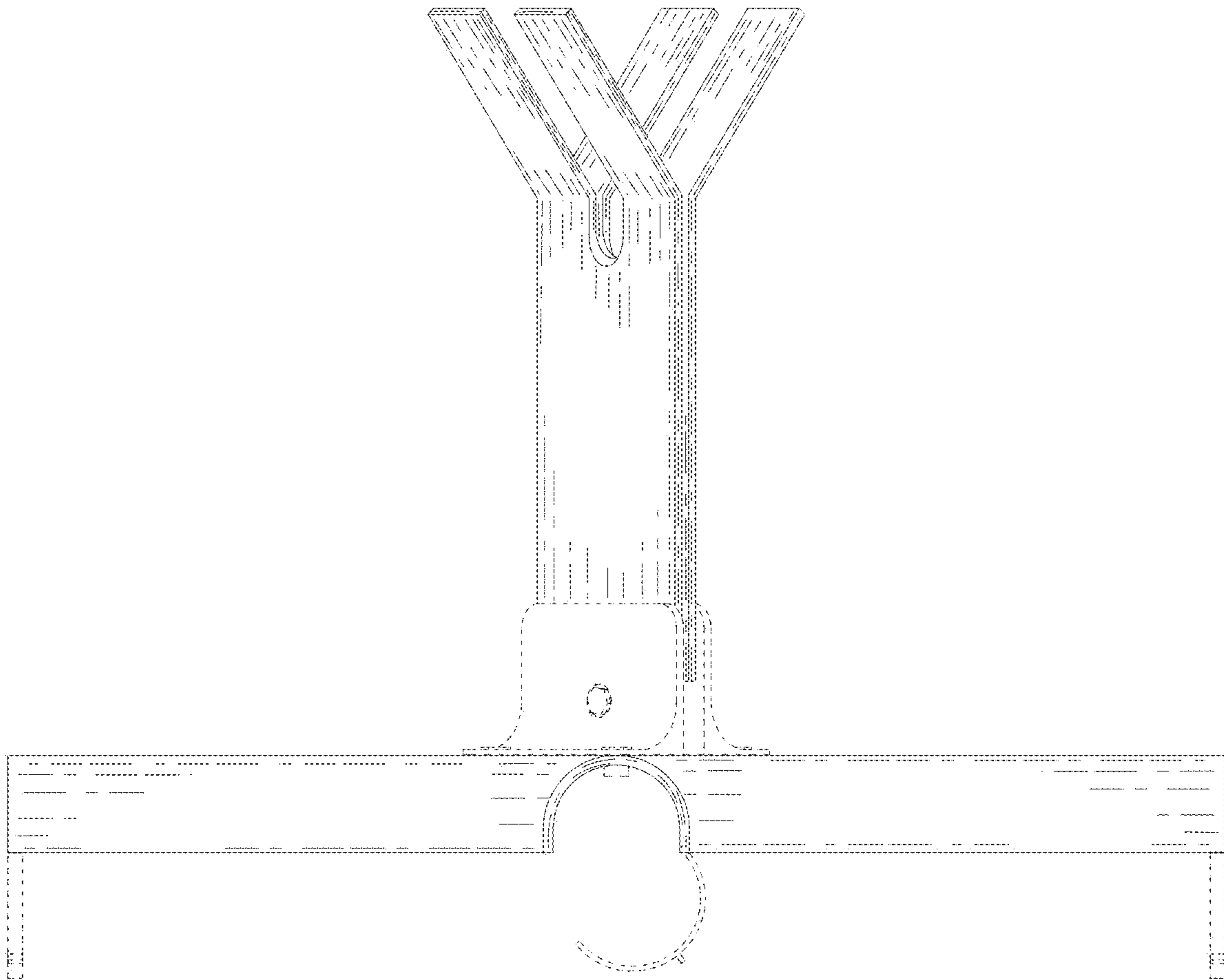


FIG. 3

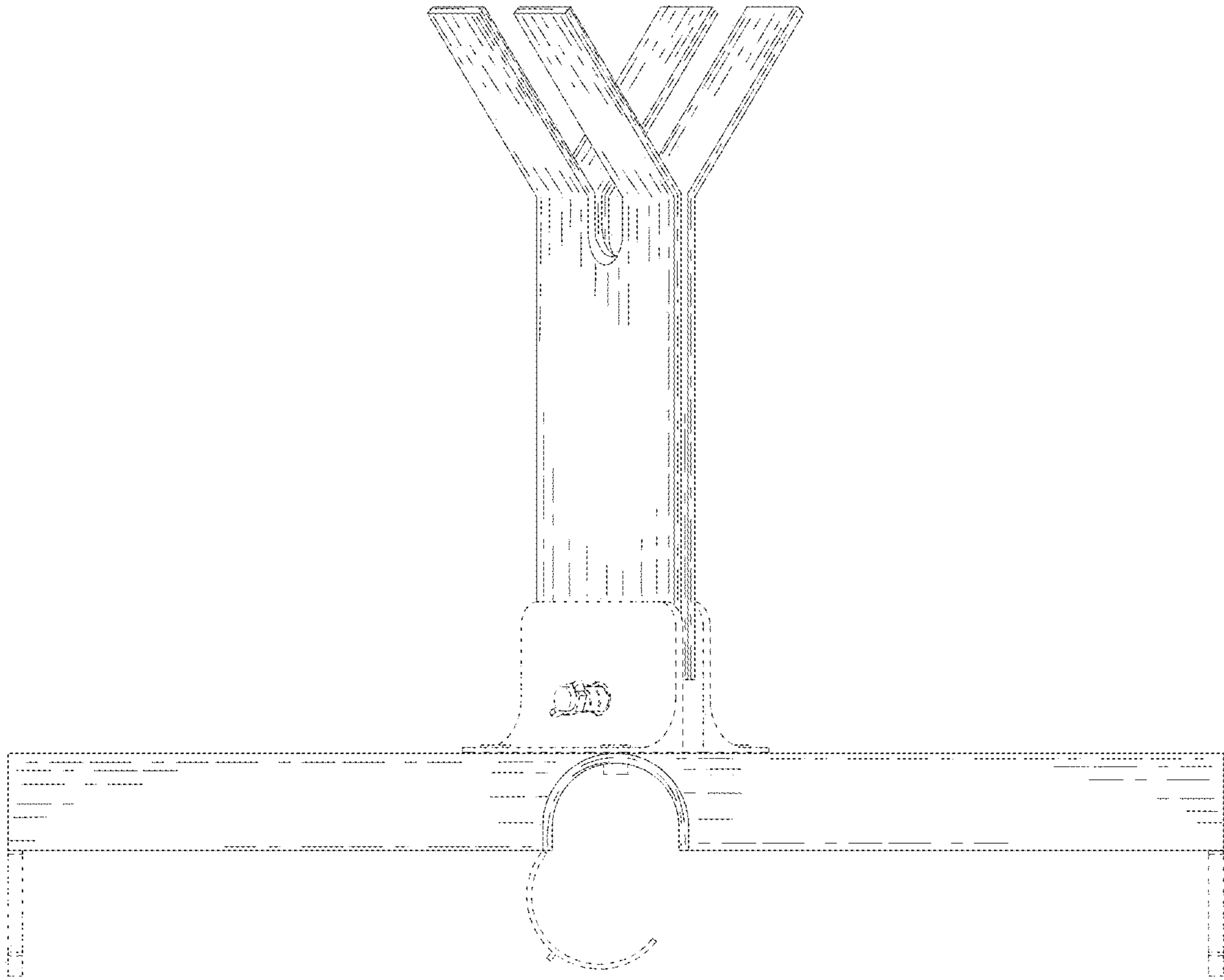


FIG. 4

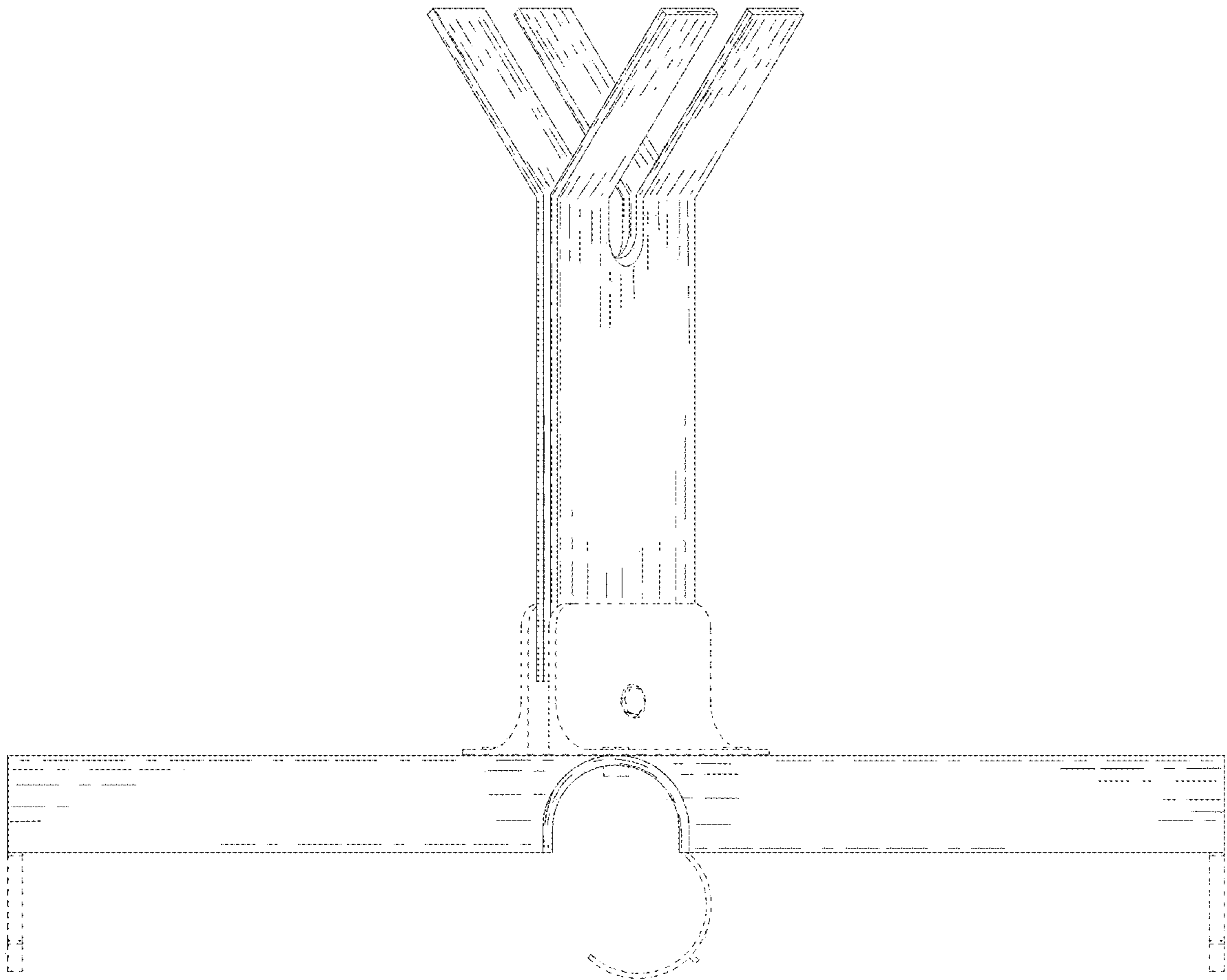


FIG. 5

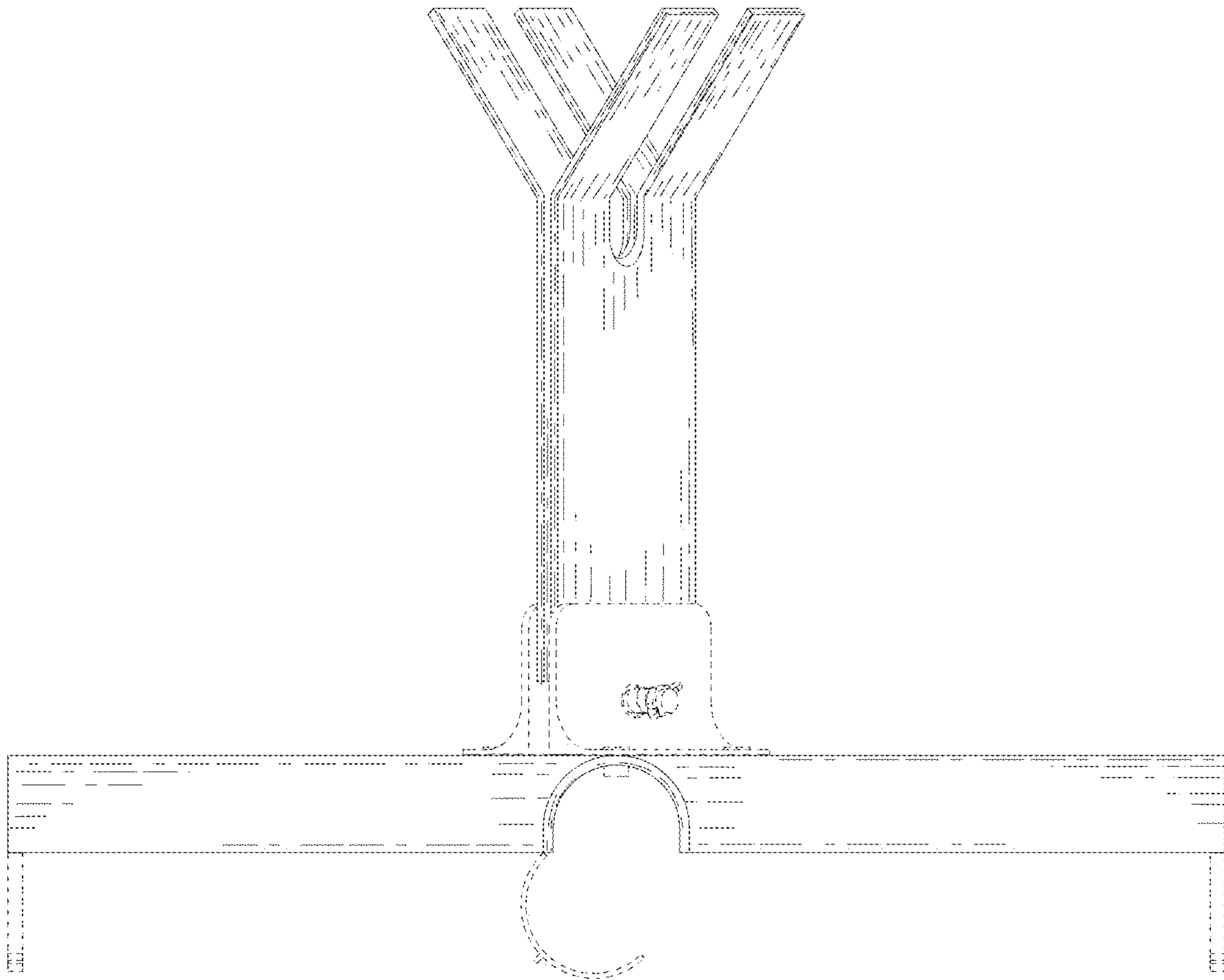


FIG. 6



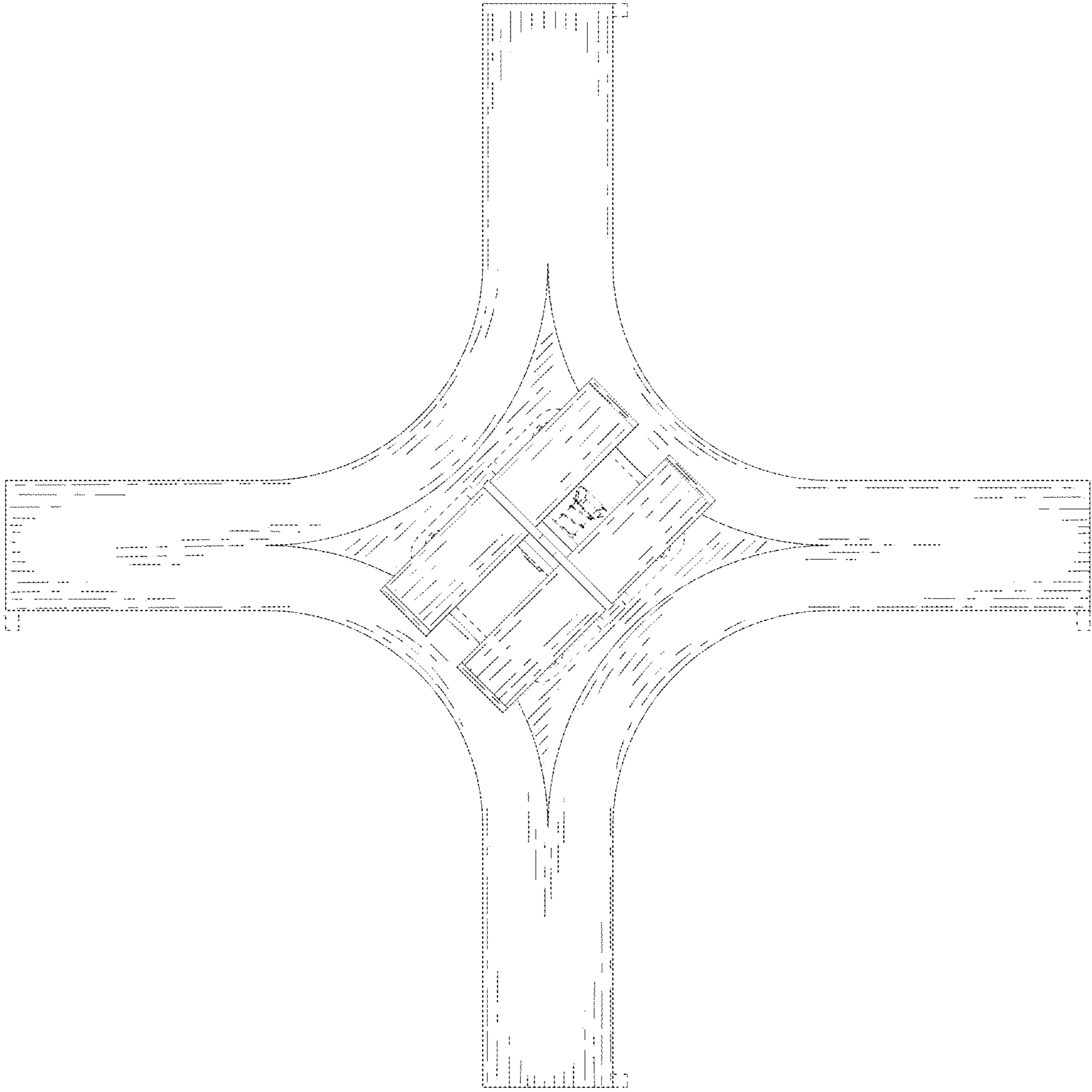


FIG. 7

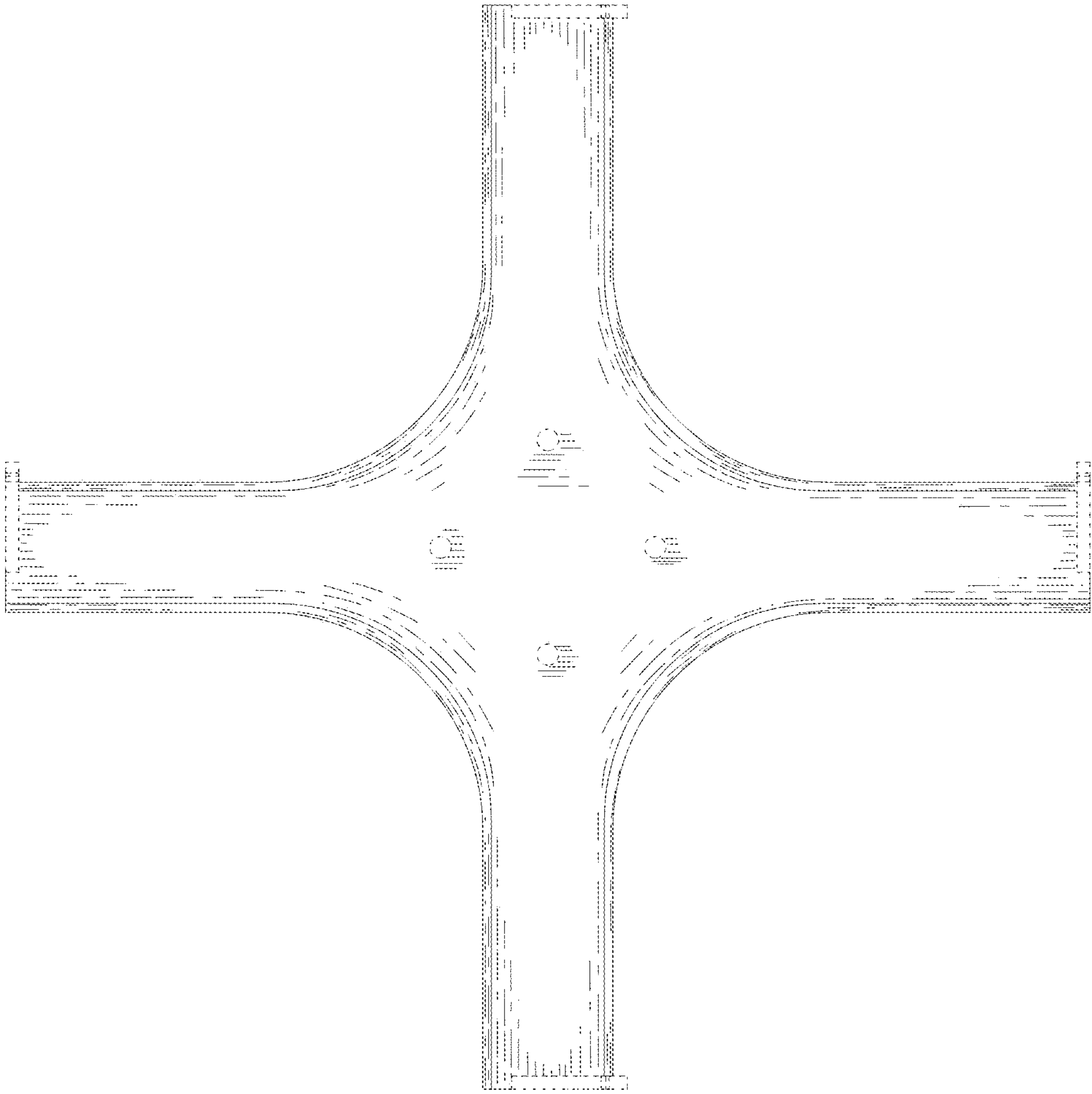


FIG. 8