



US00D945349S

(12) **United States Design Patent**  
**Ring et al.**

(10) **Patent No.:** **US D945,349 S**  
(45) **Date of Patent:** **\*\* Mar. 8, 2022**

(54) **AUTOMOBILE HOOD HINGE**

FOREIGN PATENT DOCUMENTS

(71) Applicant: **Ringbrothers, LLC**, Spring Green, WI (US)

JP 54003720 A \* 1/1979 ..... E05D 3/145  
WO WO-2017148494 A1 \* 9/2017 ..... B60R 21/38

(72) Inventors: **James Alan Ring**, Spring Green, WI (US); **Michael Daniel Ring**, Plain, WI (US); **Ryan Schwartz**, Mazomanie, WI (US)

OTHER PUBLICATIONS

1969-1972 Cutlass Hood Hinge Kit—Solid Frame—Fiberglass—Natural, Retrieved on May 22, 2021 (online) via Internet Archive WayBack Machine, Earliest Date Provided: Sep. 28, 2020, <<https://web.archive.org/web/20200928101816/https://www.ringbrothers.com/1969-1972-cutlass-hood-hinge-kit-solid-frame-fiberglass-natural>>.\*

(73) Assignee: **Ringbrothers, LLC**, Spring Green, WI (US)

(\*\*) Term: **15 Years**

(Continued)

(21) Appl. No.: **29/732,207**

*Primary Examiner* — Holly E Thurman

(22) Filed: **Apr. 22, 2020**

*Assistant Examiner* — Ieisha N Price

(51) **LOC (13) Cl.** ..... **12-16**

(74) *Attorney, Agent, or Firm* — Fitch, Even, Tabin & Flannery LLP

(52) **U.S. Cl.**

USPC ..... **D12/223**; D8/323

(58) **Field of Classification Search**

USPC ..... D12/223, 400, 173, 317, 345, 106;

D8/323, 51, 382, 349, 354, 499

CPC ... E05D 3/145; E05D 5/062; E05D 2011/009;

E05D 2011/0027; E05D 7/04; E05D 3/06;

B60R 21/38; B62D 25/105; E05Y

2900/536

See application file for complete search history.

(57) **CLAIM**

The ornamental design for an automobile hood hinge, as shown and described.

**DESCRIPTION**

FIG. 1 is a top, left perspective view of an automobile hood hinge showing our new ornamental design;

FIG. 2 is a top plan view thereof;

FIG. 3 is a left side elevation view thereof;

FIG. 4 is a front elevation view thereof;

FIG. 5 is a rear elevation view thereof;

FIG. 6 is a right side elevation view thereof; and,

FIG. 7 is a bottom plan view thereof.

The shaded regions immediately adjacent to the solid lines of the drawing disclosure are intended to be claimed subject matter and form a part of the claimed design. The broken lines in the drawings illustrate portions of the Automobile Hood Hinge and form no part of the claimed design.

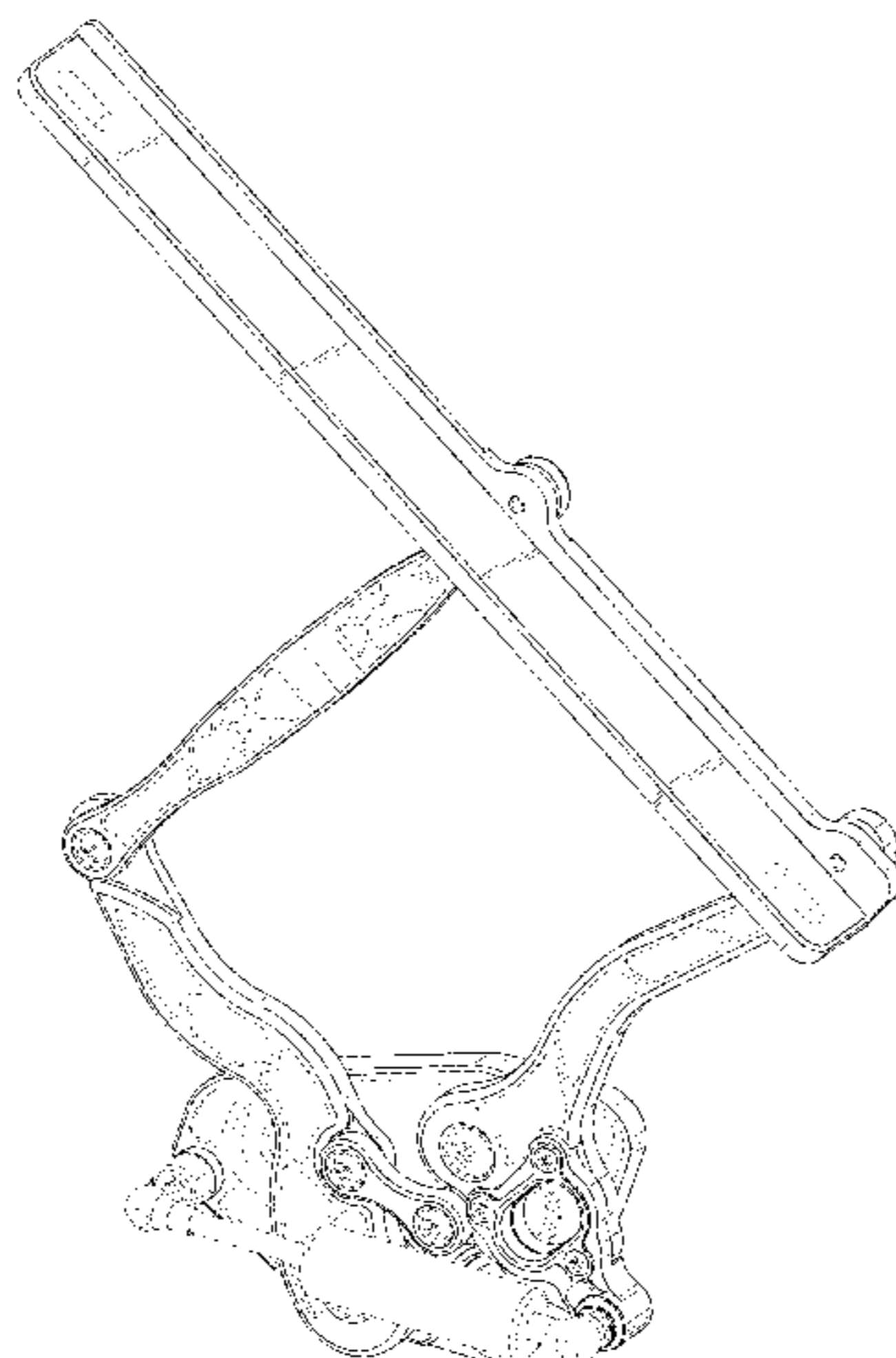
(56) **References Cited**

U.S. PATENT DOCUMENTS

3,135,011 A	6/1964	Fiedler	
3,153,257 A	10/1964	Daenzer	
3,351,975 A	11/1967	Goto	
D223,595 S	5/1972	Persinger	
3,815,176 A	6/1974	Porter	
4,012,807 A	3/1977	Kern	
D335,622 S	5/1993	Millsap	
D336,841 S	6/1993	Wilson	
D367,808 S	3/1996	Blomqvist	
5,557,829 A	9/1996	Schoen	
6,618,904 B1 *	9/2003	Nagy	..... E05D 3/145 16/288

(Continued)

**1 Claim, 4 Drawing Sheets**





(56)

References Cited

U.S. PATENT DOCUMENTS

7,207,406 B1 \* 4/2007 Polz ..... B60R 21/34  
180/274

7,506,716 B1 3/2009 Salmon

7,596,833 B2 10/2009 Erwin

7,802,345 B2 9/2010 Mathew

8,201,306 B2 6/2012 Kim

8,296,906 B2 \* 10/2012 Wisniewski ..... E05D 3/14  
16/370

8,484,804 B2 7/2013 Mehta

D717,634 S 11/2014 Lu

D726,637 S 4/2015 Ring

9,308,885 B2 4/2016 Schabenbergers

D758,164 S 6/2016 Lu

9,366,066 B2 6/2016 Hwang

D765,488 S 9/2016 Held

9,481,340 B2 11/2016 Kim

9,701,275 B2 7/2017 Kim

9,701,277 B2 7/2017 McIntyre

9,783,154 B2 10/2017 Kim

D804,276 S 12/2017 Lu

10,100,565 B2 10/2018 Waskie

D834,916 S 12/2018 Lu

10,239,484 B2 3/2019 Hwang

D853,828 S 7/2019 Lucas

10,336,291 B2 7/2019 Schabenberger

10,384,638 B2 8/2019 Leschnik

10,703,326 B2 7/2020 Gabler

10,752,201 B2 8/2020 Fredriksson

11,002,047 B2 \* 5/2021 French ..... E05D 7/04

D921,558 S \* 6/2021 Ring ..... D12/223

D921,559 S \* 6/2021 Ring ..... D12/223

2003/0056330 A1 3/2003 Westerdale

2003/0217436 A1 11/2003 Hashim

2004/0205934 A1 10/2004 Derbis

2005/0173943 A1 \* 8/2005 Duffy ..... E05D 11/06  
296/146.12

2007/0080010 A1 \* 4/2007 Gust ..... B60R 21/38  
180/69.2

2007/0151791 A1 7/2007 Gust

2007/0256277 A1 \* 11/2007 Shaw ..... E05D 11/1057  
16/343

2008/0034552 A1 2/2008 Nguyen

2008/0276425 A1 \* 11/2008 Gherardi ..... F24C 15/023  
16/319

2009/0188081 A1 7/2009 Mathew

2009/0230713 A1 \* 9/2009 Martin ..... E05D 3/145  
296/76

2010/0024162 A1 2/2010 Walz

2010/0107365 A1 \* 5/2010 Kim ..... E05C 17/32  
16/297

2010/0223851 A1 \* 9/2010 Odoi ..... B60J 7/1855  
49/340

2011/0285166 A1 \* 11/2011 Baba ..... E05D 3/145  
296/97.22

2012/0084942 A1 \* 4/2012 Mehta ..... B60R 21/38  
16/223

2014/0359974 A1 \* 12/2014 Agell Merino ..... E05D 11/00  
16/319

2016/0144822 A1 5/2016 Kim

2016/0245003 A1 8/2016 McIntyre

2016/0258196 A1 9/2016 Yamamoto

2017/0113648 A1 4/2017 Kim

2017/0259776 A1 9/2017 McLundie

2017/0327074 A1 \* 11/2017 Schabenberger ..... B62D 25/12

2017/0335610 A1 11/2017 Hall

2017/0369028 A1 12/2017 Patterson

2018/0056928 A1 \* 3/2018 Leschnik ..... B60R 21/38

2019/0168705 A1 6/2019 Springsklee

2019/0241150 A1 \* 8/2019 Fredriksson ..... E05D 11/1014

2019/0299921 A1 10/2019 Maeda

2019/0375369 A1 \* 12/2019 Hufen ..... B60R 21/38

2019/0383074 A1 \* 12/2019 Schabenberger ..... E05D 3/02

2020/0056410 A1 2/2020 French

2020/0108793 A1 4/2020 Kim

2020/0141164 A1 5/2020 Kim

2020/0157859 A1 5/2020 Szente

2020/0164831 A1 5/2020 Wood

2020/0165851 A1 5/2020 Page

OTHER PUBLICATIONS

Non-Final Office Action issued in related U.S. Appl. No. 29/648,429, dated Jan. 22, 2021, 13 pages.

Screen captures of a Wayback Machine Internet Archive showing images of a ‘1955-1956 Tri-Five Billet Hood Hinge Kit—Solid Frame’ and a ‘1955-1956 Tri-Five Billet Hood Hinge Kit—Air Frame’ as published and offered for sale at least as early as Apr. 24, 2016 at the following URL: <http://ringbrothers.com/hinges/hood-hinges/chevrolet/tri-five.html?cat=347>; enlarged images of the hinge kits as published at the referenced URL address (2 pages).

Screen captures of a Wayback Machine Internet Archive showing images of a ‘1957 Tri Five Air Billet Hood Hinge Kit—Air Frame’ as published and offered for sale at least as early as Apr. 15, 2016 at the following URL: <https://ringbrothers.com/1957-tri-five-air-billet-hood-hingekit-air-frame.html>; enlarged image of the hinge kit as published at the referenced URL address (2 pages).

Screen captures of a Wayback Machine Internet Archive showing images of a ‘1957 Tri Five Billet Hood Hinge Kit—Solid Frame’ as published and offered for sale at least as early as Apr. 14, 2016 at the following URL: <http://ringbrothers.com/1957-tri-five-billet-hood-hingekit-solid-frame.html>; enlarged image of the hinge kit as published at the referenced URL address (2 pages).

Screen captures of a Wayback Machine Internet Archive showing images of a ‘1963-1964 Impala Billet Hood Hinge Kit—Solid Frame’ and ‘1963-1964 Impala Billet Hood Hinge Kit—Air Frame’ as published and offered for sale at least as early as Apr. 13, 2016 at the following URL: <http://ringbrothers.com/hinges/hood-hinges/chevrolet/impala.html?dir=desc&order=position>; enlarged images of the hinge kits as published at the referenced URL address (2 pages).

Screen captures of a Wayback Machine Internet Archive showing images of a ‘1963-1965 Nova Billet Hood Hinge Kit—Solid Frame’ and ‘1963-1965 Nova Billet Hood Hinge Kit—Air Frame’ as published and offered for sale at least as early as Apr. 15, 2016 at the following URL: <http://ringbrothers.com/hinges/hood-hinges/chevrolet/nova.html?cat=343>; enlarged images of the hinge kits as published at the referenced URL address (2 pages).

Screen captures of a Wayback Machine Internet Archive showing images of a ‘1964 Chevelle/El Camino Billet Hood Hinge Kit—Air Frame’ as published and offered for sale at least as early as Mar. 8, 2016 at the following URL: <https://ringbrothers.com/1964-chevelle-el-caminobillet-hood-hinge-kit-air-frame.html>; enlarged image of the hinge kit as published at the referenced URL address (2 pages).

Screen captures of a Wayback Machine Internet Archive showing images of a ‘1964 Chevelle/El Camino Billet Hood Hinge Kit—Solid Frame’ published and offered for sale at least as early as Apr. 13, 2016 at the following URL: <http://ringbrothers.com/1964-chevelle-el-camino-billethood-hinge-kit-solid-frame.html>; enlarged image of the hinge kit as published at the referenced URL address (2 pages).

Screen captures of a Wayback Machine Internet Archive showing images of a ‘1964-1967 Oldsmobile Cutlass Billet Hood Hinge Kit—Air Frame’ as published and offered for sale at least as early as Mar. 24, 2017 at the following URL: <http://ringbrothers.com:80/1964-1967-oldsmobile-cutlass-hood-hinge-kit-air-frame.html>; enlarged image of the hinge kit as published at the referenced URL address (2 pages).

Screen captures of a Wayback Machine Internet Archive showing images of a ‘1964-1967 Oldsmobile Cutlass Billet Hood Hinge Kit—Solid Frame’ as published and offered for sale at least as early as Mar. 24, 2017 at the following URL: <http://ringbrothers.com:80/1964-1967-oldsmobile-cutlass-hood-hinge-kit-solid-frame.html>; enlarged image of the hinge kit as published at the referenced URL address (2 pages).

Screen captures of a Wayback Machine Internet Archive showing images of a ‘1965-1966 Ford Mustang Billet Hood Hinge Kit—



(56)

**References Cited**

## OTHER PUBLICATIONS

Solid Frame' and a '1965-1966 Ford Mustang Billet Hood Hinge Kit—Air Frame' as published and offered for sale at least as early as Apr. 15, 2016 at the following URL: <http://ringbrothers.com/hinges/hood-hinges/ford.html?cat=350>; enlarged images of the hinge kits.

Screen captures of a Wayback Machine Internet Archive showing images of a '1965-1967 Chevelle/El Camino Billet Hood Hinge Kit—Solid Frame' and a '1965-1967 Chevelle/El Camino Billet Hood Hinge Kit—Air Frame' as published and offered for sale at least as early as Apr. 13, 2016 at the following URL: <http://ringbrothers.com/hinges/hood-hinges/chevrolet-chevelle-el-camino/1965-1967-chevelle-el-camino.html>; enlarged images of the hinge kits as published at the referenced URL address (2 pages).

Screen captures of a Wayback Machine Internet Archive showing images of a '1965-1967 Impala Billet Hood Hinge Kit—Solid Frame' and a '1965-1967 Impala Billet Hood Hinge Kit—Air Frame' as published and offered for sale at least as early as Apr. 13, 2016 at the following URL: <http://ringbrothers.com/hinges/hood-hinges/chevrolet/impala.html?dir=desc&order=position>; enlarged images of the hinge kits as published at the referenced URL address (2 pages).

Screen captures of a Wayback Machine Internet Archive showing images of a '1966-1967 GTO, Lemans, Tempest Billet Hood Hinge Kit—Solid Frame' and a '1966-1967 GTO, Lemans, Tempest Billet Hood Hinge Kit—Air Frame' as published and offered for sale at least as early as Jan. 3, 2017 at the following URL: <http://ringbrothers.com:80/hinges/hood-hinges/pontiac/gto-lemans-tempest/1966-1967-gto-lemans-tempest.html>; enlarged images of the hinge kits as published at the referenced URL address (2 pages).

Screen capture of a Wayback Machine Internet Archive showing images of a '1966-1967 Nova Billet Hood Hinge Kit—Air Frame (For Aftermarket Front Clips)' as published and offered for sale at least as early as Apr. 14, 2016 at the following URL: <https://ringbrothers.com/1966-1967-nova-billet-hood-hinge-kit-air-frame-for-aftermarket-front-clips.html>; enlarged image of the hinge kit as published at the referenced URL address (2 pages).

Screen captures of a Wayback Machine Internet Archive showing images of a '1966-1967 Nova Billet Hood Hinge Kit—Solid Frame' and a '1966-1967 Nova Billet Hood Hinge Kit—Air Frame' as published and offered for sale at least as early as Apr. 15, 2016 at the following URL: <http://ringbrothers.com/hinges/hood-hinges/chevrolet/nova.html?cat=344>; enlarged images of the hinge kits as published at the referenced URL address (2 pages).

Screen captures of a Wayback Machine Internet Archive showing images of a '1966-1967 Nova Billet Hood Hinge Kit—Solid Frame (For Aftermarket Front Clips)' as published and offered for sale at least as early as Apr. 13, 2016 at the following URL: <https://ringbrothers.com/1966-1967-nova-billet-hood-hinge-kit-solid-frame-for-aftermarket-front-clips.html>; enlarged image of the hinge kit as published at the referenced URL address (2 pages).

Screen captures of a wayback Machine Internet Archive showing images of a '1966-1970 B-Body Billet Hood Hinge Kit—Solid Frame' and a '1966-1970 B-Body Billet Hood Hinge Kit—Air Frame' as published and offered for sale at least as early as Mar. 7, 2017 at the following URL: <http://ringbrothers.com:80/hinges/hood-hinges/mopar.html>; enlarged images of the hinge kits as published at the referenced URL address (2 pages).

Screen captures of a Wayback Machine Internet Archive showing images of a '1967-1968 Mustang Billet Hood Hinge Kit—Air Frame' as published and offered for sale at least as early as Apr. 5, 2017 at the following URL: <https://ringbrothers.com/1967-1968-mustang-billet-hood-hinge-kit-air-frame.html>; enlarged image of the hinge kit as published at the referenced URL address (2 pages).

Screen captures of a wayback Machine Internet Archive showing images of a '1967-1968 Mustang Billet Hood Hinge Kit—Solid Frame' as published and offered for sale at least as early as Apr. 14, 2016 at the following URL: <https://ringbrothers.com/1967-1968-mustang-billethood-hinge-kit-solid-frame.html>; enlarged image of the hinge kit as published at the referenced URL address (2 pages).

Screen captures of a Wayback Machine Internet Archive showing images of a '1967-1969 Camaro Billet Hood Hinge Kit—Solid Frame' and a '1967-1969 Camaro Billet Hood Hinge Kit—Air Frame' as published and offered for sale at least as early as Apr. 14, 2016 at the following URL: <http://ringbrothers.com/hinges/hood-hinges/chevrolet/camaro/1967-1969-camaro.html?dir=desc&order=position>; enlarged images of the hinge kits as published at the referenced URL address (2 pages).

Screen captures of a wayback Machine Internet Archive showing images of a '1967-1969 Firebird Billet Hood Hinge Kit—Solid Frame' and a '1967-1969 Firebird Billet Hood Hinge Kit—Air Frame' as published and offered for sale at least as early as Apr. 13, 2016 at the following URL: <http://ringbrothers.com/hinges/hood-hinges/pontiac/firebird/1967-1969-firebird.html?dir=desc&order=position>; enlarged images of the hinge kits as published at the referenced URL address (2 pages).

Screen captures of a Wayback Machine Internet Archive showing images of a '1967-1970 Cougar Billet Hood Hinge Kit—Air Frame' as published and offered for sale at least as early as Apr. 21, 2016 at the following URL: <http://ringbrothers.com/hinges/hood-hinges/mercury.html?dir=desc&order=position>; enlarged image of the hinge kit as published at the referenced URL address (2 pages).

Screen captures of a Wayback Machine Internet Archive showing images of a '1967-1969 Cougar Billet Hood Hinge Kit—Solid Frame' as published and offered for sale at least as early as Jul. 11, 2016 at the following URL: <http://ringbrothers.com:80/1976-1970-cougar-billet-hood-hinge-kit-solid-frame.html>; enlarged image of the hinge kit as published at the referenced URL address (2 pages).

Screen captures of a Wayback Machine Internet Archive showing images of a 'Chevy/GMC Truck Billet Hood Hinge Kit—Solid Frame' and a 'Chevy/GMC Truck Billet Hood Hinge Kit—Air Frame' as published and offered for sale at least as early as Apr. 13, 2016 at the following URL: <http://ringbrothers.com/hinges/hood-hinges/chevrolet/chevy-gmc-truck.html?dir=desc&order=position>; enlarged images of the hinge kits as published at the referenced URL address (2 pages).

Screen captures of a Wayback Machine Internet Archive showing images of a '1968-1969 Chevelle/El Camino Billet Hood Hinge Kit—Solid Frame' and a '1968-1969 Chevelle/El Camino Billet Hood Hinge Kit—Air Frame' as published and offered for sale at least as early as Apr. 14, 2016 at the following URL: <http://ringbrothers.com/hinges/hood-hinges/chevrolet-chevelle-el-camino/1968-1969-chevelle-el-camino.html>; enlarged images of the hinge kits as published at the referenced URL address (2 pages).

Screen captures of a Wayback Machine Internet Archive showing images of a '1968-1972 GTO, Lemans, Tempest Billet Hood Hinge Kit—Air Frame' and a '1968-1972 GTO, Lemans, Tempest Billet Hood Hinge Kit—Solid Frame' as published and offered for sale at least as early as Jan. 3, 2017 at the following URL: <http://ringbrothers.com:80/hinges/hood-hinges/pontiac/gto-lemans-tempest/1968-1972-gto-lemans-tempest.html>; enlarged images of the hinge kits as published at the referenced URL address (2 pages).

Screen captures of a wayback Machine Internet Archive showing images of a '1968-1974 Nova Billet Hood Hinge Kit—Solid Frame' and a '1968-1974 Nova Billet Hood Hinge Kit—Air Frame' as published and offered for sale at least as early as Apr. 13, 2016 at the following URL: <http://ringbrothers.com/hinges/hood-hinges/chevrolet/nova.html?cat=345>; enlarged images of the hinge kits as published at the referenced URL address (2 pages).

Screen captures of a Wayback Machine Internet Archive showing images of a '1968-1974 Ventura Billet Hood Hinge Kit—Solid Frame' and a '1968-1974 Ventura Billet Hood Hinge Kit—Air Frame' as published and offered for sale at least as early as Jan. 3, 2017 at the following URL: <http://ringbrothers.com:80/hinges/hood-hinges/pontiac/ventura.html>; enlarged images of the hinge kits as published at the referenced URL address (2 pages).

Screen captures of a Wayback Machine Internet Archive showing images of a '1969-1970 Mustang Billet Hood Hinge Kit—Solid Frame' and a '1969-1970 Mustang Billet Hood Hinge Kit—Air Frame' as published and offered for sale at least as early as Jan. 3, 2017 at the following URL: <http://ringbrothers.com:80/hinges/hood-hinges/ford/1969-1970-mustang.html>; enlarged images of the hinge kits as published at the referenced URL address (2 pages).



(56)

**References Cited**

## OTHER PUBLICATIONS

Screen captures of a wayback Machine Internet Archive showing images of a '1970 Impala Billet Hood Hinge Kit—Solid Frame' and a '1970 Impala Billet Hood Hinge Kit—Air Frame' as published and offered for sale at least as early as Apr. 13, 2016 at the following URL: <http://ringbrothers.com/hinges/hood-hinges/chevrolet/impala.html?dir=desc&order=position>; enlarged images of the hinge kits as published at the referenced URL address (2 pages).

Screen captures of a Wayback Machine Internet Archive showing images of a '1970-1972 Chevelle/El Camino Billet Hood Hinge Kit—Solid Frame' and a '1970-1972 Chevelle/El Camino Billet Hood Hinge Kit—Air Frame' as published and offered for sale at least as early as Apr. 14, 2016 at the following URL: <http://ringbrothers.com/hinges/hood-hinges/chevrolet/chevelle-el-camino.html?cat=335>; enlarged images of the hinge kits as published at the referenced URL address (2 pages).

Screen captures of a Wayback Machine Internet Archive showing images of a '1970-1972 Monte Carlo Billet Hood Hinge Kit—Air Frame' as published and offered for sale at least as early as Apr. 24, 2016 at the following URL: <http://ringbrothers.com/hinges/hood-hinges/chevrolet/monte-carlo.html?dir=desc&order=position>; enlarged image of the hinge kit as published at the referenced URL address (2 pages).

Screen captures of a Wayback Machine Internet Archive showing images of a '1970-1974 E-Body Billet Hood Hinge Kit—Air Frame' as published and offered for sale at least as early as Apr. 1, 2017 at the following URL: <https://ringbrothers.com/1970-1974-e-body-billet-hoodhinge-kit-air-frame.html>; enlarged image of the hinge kit as published at the referenced URL address (2 pages).

Screen captures of a Wayback Machine Internet Archive showing images of a '1970-1974 E-Body Billet Hood Hinge Kit—Solid Frame' as published and offered for sale at least as early as Sep. 2, 2016, at the following URL: <http://ringbrothers.com/80/1970-1974-e-body-billethood-hinge-kit-solid-frame.html>; enlarged image of the hinge kit as published at the referenced URL address (2 pages).

Screen captures of a wayback Machine Internet Archive showing images of a '1970-1981 Camaro Billet Hood Hinge Kit—Solid Frame' and a '1970-1981 Camaro Billet Hood Hinge Kit—Air Frame' as published and offered for sale at least as early as Apr. 15, 2016, at the following URL: <https://ringbrothers.com/hinges/hood-hinges/chevrolet/camaro.html?cat=330>; enlarged images of the hinge kits as published at the referenced URL address (2 pages).

Screen captures of a Wayback Machine Internet Archive showing images of a '1970-1981 Firebird Billet Hood Hinge Kit—Air Frame' and a '1970-1981 Firebird Billet Hood Hinge Kit—Solid Frame' as published and offered for sale at least as early as Jan. 14, 2016, at the following URL: <https://ringbrothers.com/hinges.html>; enlarged images of the hinge kits as published at the referenced URL address (2 pages).

Screen captures of a Wayback Machine Internet Archive showing images of a 'HQ-W B Holden Monaro And LH-UC Torana Billet Hood Hinge Kit—Air Frame' as published and offered for sale at least as early as Apr. 14, 2016, at the following URL: <https://ringbrothers.com/1968-1971-holden-monaro-billet-hood-hinge-kit-air-frame.html>; enlarged image of the hinge kit as published at the referenced URL address (2 pages).

Screen captures of a wayback Machine Internet Archive showing images of a 'HQ-W B Holden Monaro And LH-UC Torana Billet Hood Hinge Kit—Solid Frame' as published and offered for sale at least as early as Apr. 14, 2016, at the following URL: <http://ringbrothers.com/1968-1971-holden-monaaro-billet-hood-hinge-kit->

[solidframe.html](#); enlarged image of the hinge kit as published at the referenced URL address (2 pages).

Screen captures of a Wayback Machine Internet Archive showing images of a 'Ford Falcon Billet Hood Hinge Kit—Air Frame' as published and offered for sale at least as early as Apr. 14, 2016, at the following URL: <http://ringbrothers.com/hinges/hood-hinges/ford-australia.html?dir=desc&order=position>; enlarged image of the hinge kit as published at the referenced URL address (2 pages).

PageVault Screen captures of a Wayback Machine Internet Archive showing images of a '1982-1992 Firebird Billet Hood Hinge Kit—Air Frame' as published at the following URL: <https://web.archive.org/web/20190324155203/https://ringbrothers.com/hinges/hood-hinges/pontiac/firebird/1982-1992-firebird.html> believed to be publicly available at least as early as May 10, 2018 (2 pages).

PageVault Screen captures of a Wayback Machine Internet Archive showing images of a '1982-1992 Camaro Billet Hood Hinge Kit—Air Frame' as published at the following URL: <https://web.archive.org/web/20190324143949/https://ringbrothers.com/hinges/hood-hinges/chevrolet/camaro/1982-1992.html> believed to be publicly available at least as early as May 10, 2018 (2 pages).

Screen captures of a Wayback Machine Internet Archive showing images of a '1973-1977 Chevelle Billet Hood Hinge Kit—Solid Frame' and a '1973-1977 Chevelle Billet Hood Hinge Kit—Air Frame' as published and offered for sale at least as early as May 8, 2018, at the following URL: <https://ringbrothers.com/hinges/hoodhinges/chevrolet/chevelle-el-camino/1973-1977-chevelle.html>; enlarged images of the hinge kits as published at the referenced URL address (2 pages).

Screen captures of a Wayback Machine Internet Archive showing images of a '1973-1977 Cutlass Billet Hood Hinge Kit—Solid Frame' and a '1973-1977 Cutlass Billet Hood Hinge Kit—Air Frame' as published and offered for sale at least as early as May 8, 2018, at the following URL: <https://ringbrothers.com/hinges/hoodhinges/oldsmobile/1973-1977-cutlass.html>; enlarged images of the hinge kits as published at the referenced URL address (2 pages).

Screen captures of a Wayback Machine Internet Archive showing images of a '1973-1977 Monte Carlo Billet Hood Hinge Kit—Solid Frame' and a '1973-1977 Monte Carlo Billet Hood Hinge Kit—Air Frame' as published and offered for sale at least as early as May 8, 2018, at the following URL: <https://ringbrothers.com/hinges/hoodhinges/chevrolet/monte-carlo/1973-1977-monte-carlos.html>; enlarged images of the hinge kits as published at the referenced URL address (2 pages).

Screen captures of a Wayback Machine Internet Archive showing images of a '1973-1980 Chevy/GMC Truck Hood Hinge Kit—Solid Frame' and a '1973-1980 Chevy/GMC Hood Hinge Kit—Air Frame' as published and offered for sale at least as early as Aug. 1, 2018, at the following URL: <https://ringbrothers.com/hinges/hood-hinges/chevrolet/chevy-gmc-truck/1973-1980-chevy-gmc-truck.html>; enlarged images of the hinge kits as published at the referenced URL address (2 pages).

Enlarged image of a '1967-1972 F100 Hood Hinge Solid Frame—Natural' as published and offered for sale at least as early as Sep. 16, 2019 on <https://www.ringbrothers.com/1967-1972-f100-truck-hood-hinge-kit-solid-frame-fiberglass-natural>, (1 page).

Notice of Allowance dated Oct. 29, 2020, issued in related U.S. Appl. No. 29/682,895, 15 pages.

Notice of Allowance dated Oct. 29, 2020, issued in related U.S. Appl. No. 29/682,885, 15 pages.

Office Action dated May 25, 2021, issued in related U.S. Appl. No. 29/732,215, 8 pages.

Office Action dated May 25, 2021, issued in related U.S. Appl. No. 29/747,896, 8 pages.

\* cited by examiner



FIG. 1

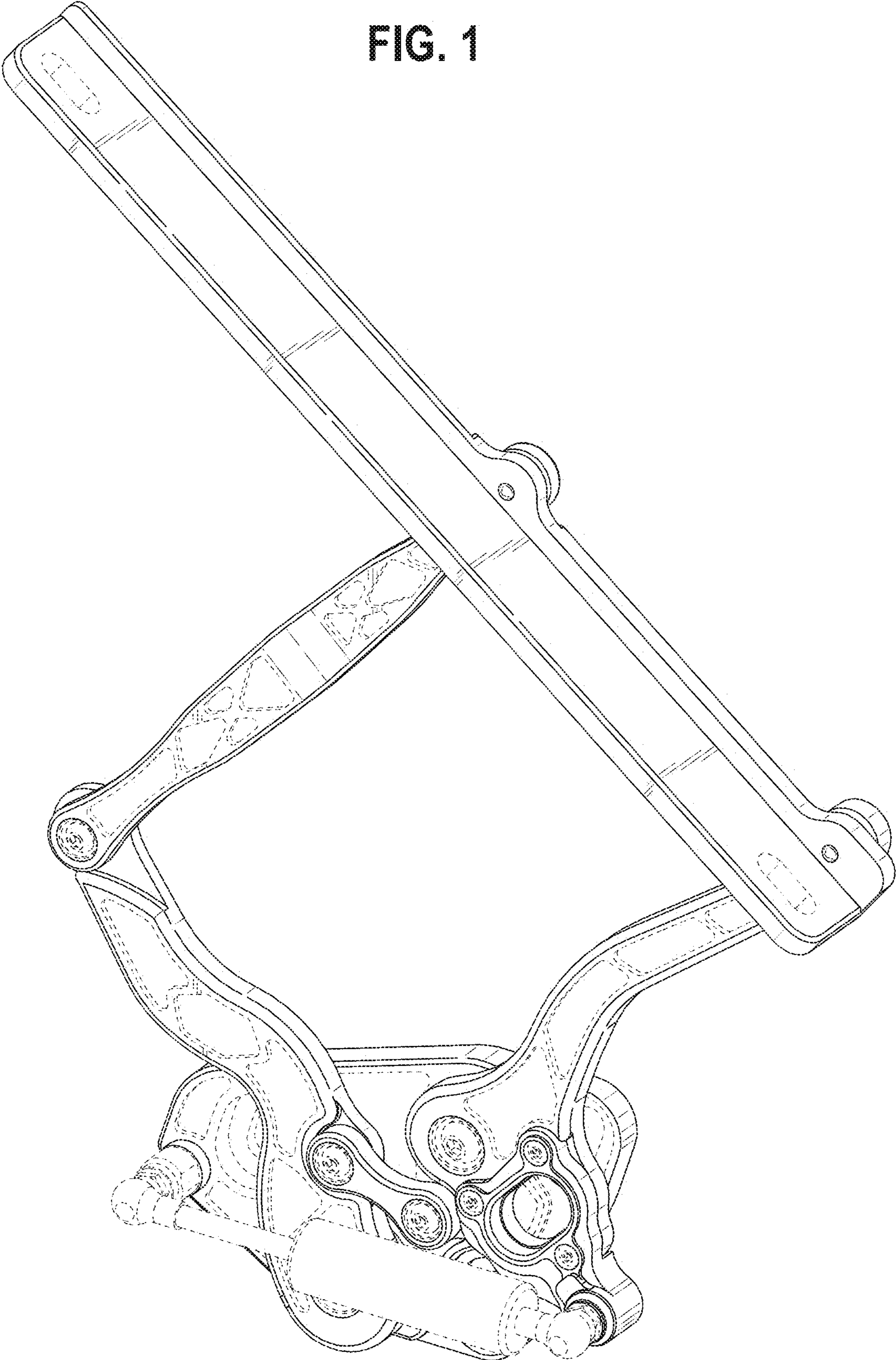


FIG. 2

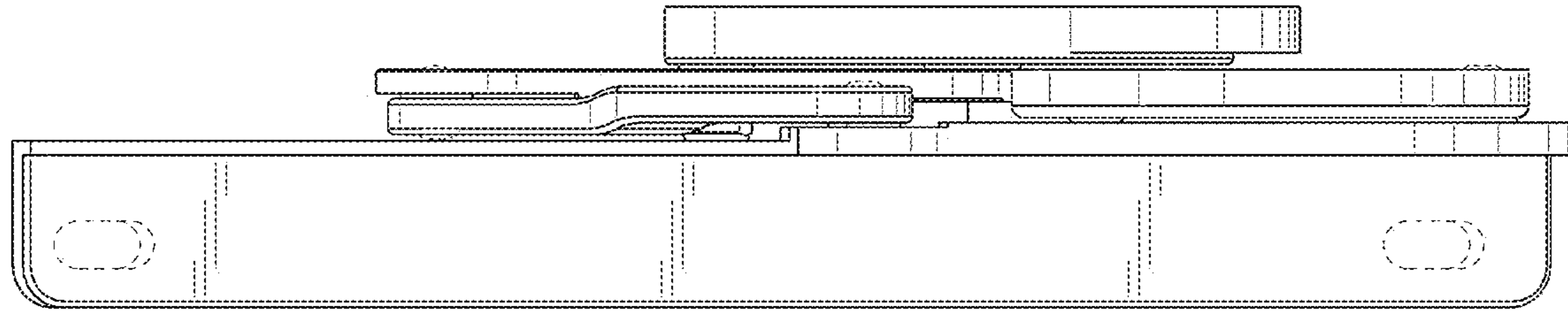


FIG. 3

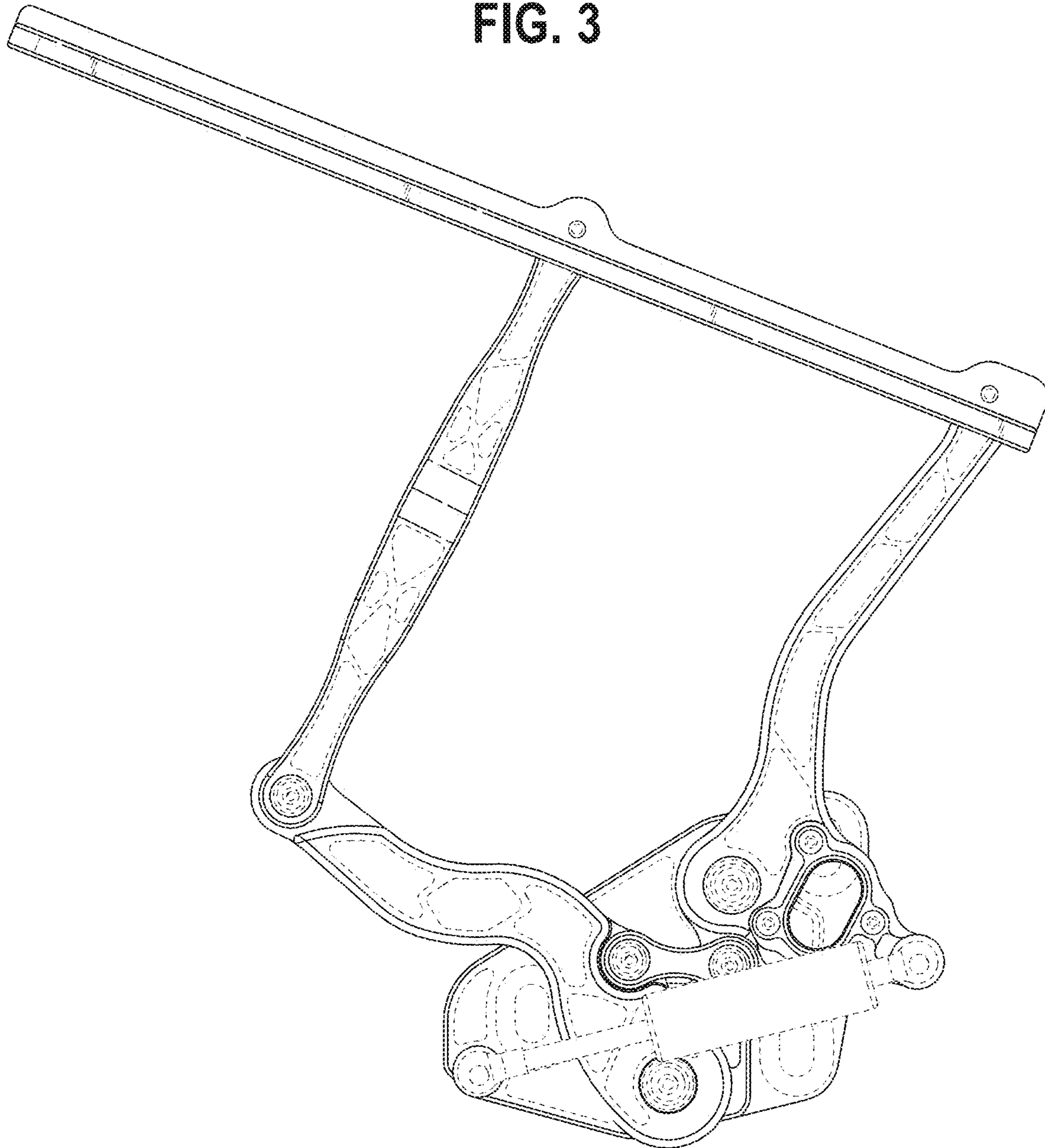


FIG. 4

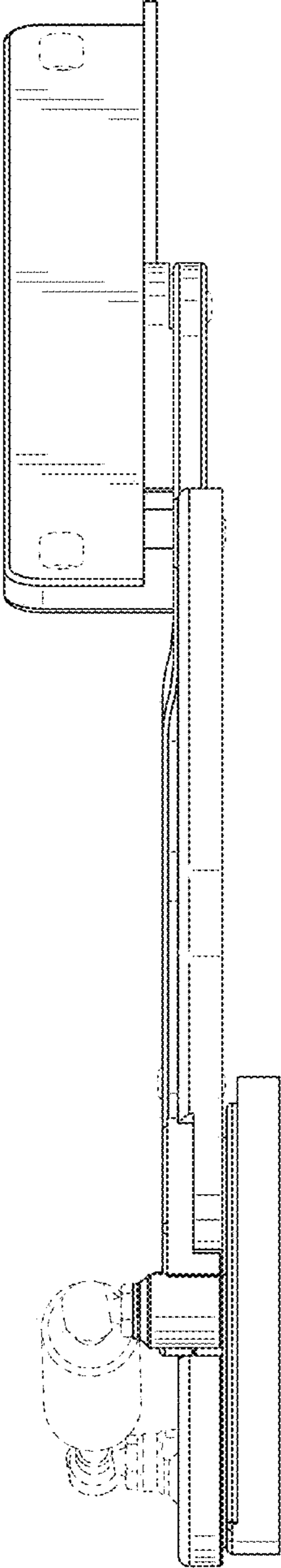
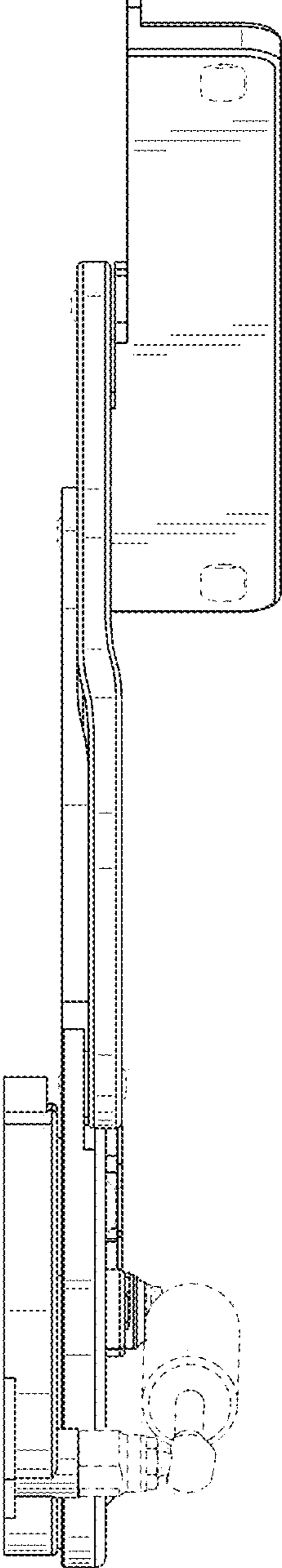
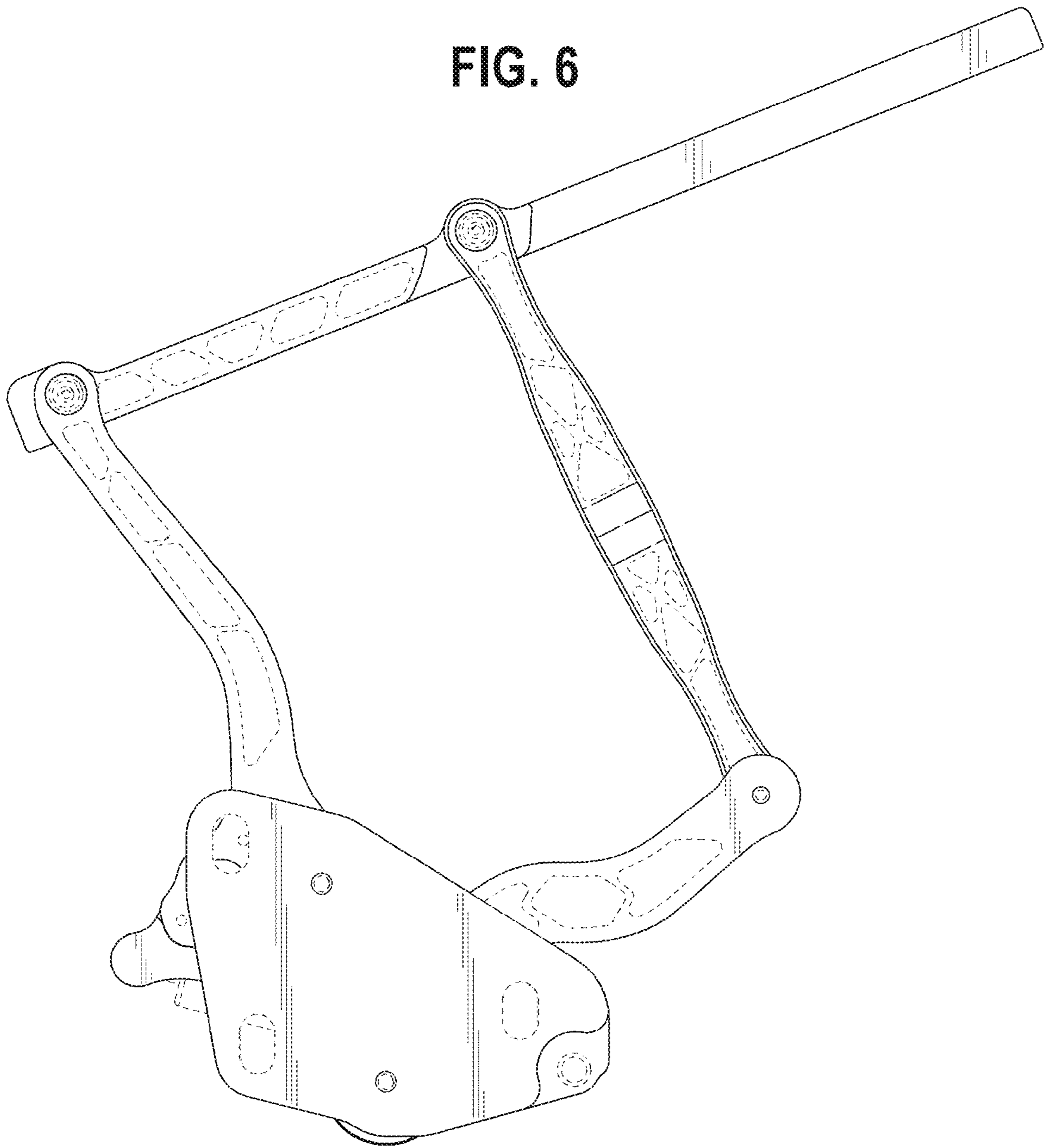


FIG. 5



**FIG. 6**



**FIG. 7**

