



US00D945348S

(12) **United States Design Patent**
Sempek

(10) **Patent No.:** **US D945,348 S**
(45) **Date of Patent:** **** Mar. 8, 2022**

- (54) **WHEEL RIM**
- (71) Applicant: **Allied Wheel Components**, Garden Grove, CA (US)
- (72) Inventor: **Christopher Sean Sempek**, Long Beach, CA (US)
- (73) Assignee: **ALLIED WHEEL COMPONENTS**, Graden Grove, CA (US)
- (**) Term: **15 Years**
- (21) Appl. No.: **29/719,633**
- (22) Filed: **Jan. 6, 2020**
- (51) **LOC (13) Cl.** **12-16**
- (52) **U.S. Cl.**
USPC **D12/211**
- (58) **Field of Classification Search**
USPC D12/204–213; D21/563
CPC B60B 7/00; B60B 7/02; B60B 7/04; B60B 7/01; B60B 7/06; B60B 3/02; B60B 3/04; B60B 3/06; B60B 3/10; B60B 1/00; B60B 1/08; B60B 1/10; B60B 1/12
See application file for complete search history.

D513,728 S	1/2006	Yazawa et al.	
D516,490 S	3/2006	Baer	
D520,435 S *	5/2006	Kulla	D12/211
D524,217 S	7/2006	Aoki	
D529,426 S	10/2006	Metros et al.	
D534,473 S	1/2007	Bernoni	
D538,215 S	3/2007	Laengerer	
D542,210 S	5/2007	Plumer	
D543,922 S	6/2007	Young	
D555,065 S	11/2007	Hernandez	
D576,095 S *	9/2008	Chung	D12/211
D587,179 S	2/2009	Pfeiffer	
D593,474 S *	6/2009	Flueckiger	D12/209
D596,548 S *	7/2009	Gallert	D12/211
D599,268 S *	9/2009	Bernoni	D12/211
D608,711 S	1/2010	Jeurgens et al.	
D609,624 S	2/2010	Matsubara	
D617,710 S	6/2010	Ectors et al.	
D619,070 S	7/2010	Pollmann	

(Continued)

OTHER PUBLICATIONS

Raceline Wheels, Go Everywhere, Catalog, Apr. 7, 2017, Allied Wheel Components Inc. vol. 29, 16 pages.

(Continued)

Primary Examiner — Stacia A Cadmus
(74) *Attorney, Agent, or Firm* — Fish IP Law, LLP;
Joseph A. Andelin

(56) **References Cited**
U.S. PATENT DOCUMENTS

D58,279 S	6/1921	Wheeh et al.	
1,404,382 A	1/1922	Lewis et al.	
1,530,863 A	3/1925	Vanderveer et al.	
D339,561 S *	9/1993	Maiworm	D12/211
D396,208 S	7/1998	Baumgartner et al.	
D450,649 S	11/2001	Penzes	
D477,556 S	7/2003	Koch	
D481,984 S	11/2003	Sulahian	
D497,870 S	11/2004	Cahyono	
D504,101 S	4/2005	Pfeiffer	
D504,102 S	4/2005	Cheng	
D508,007 S	8/2005	Koch	

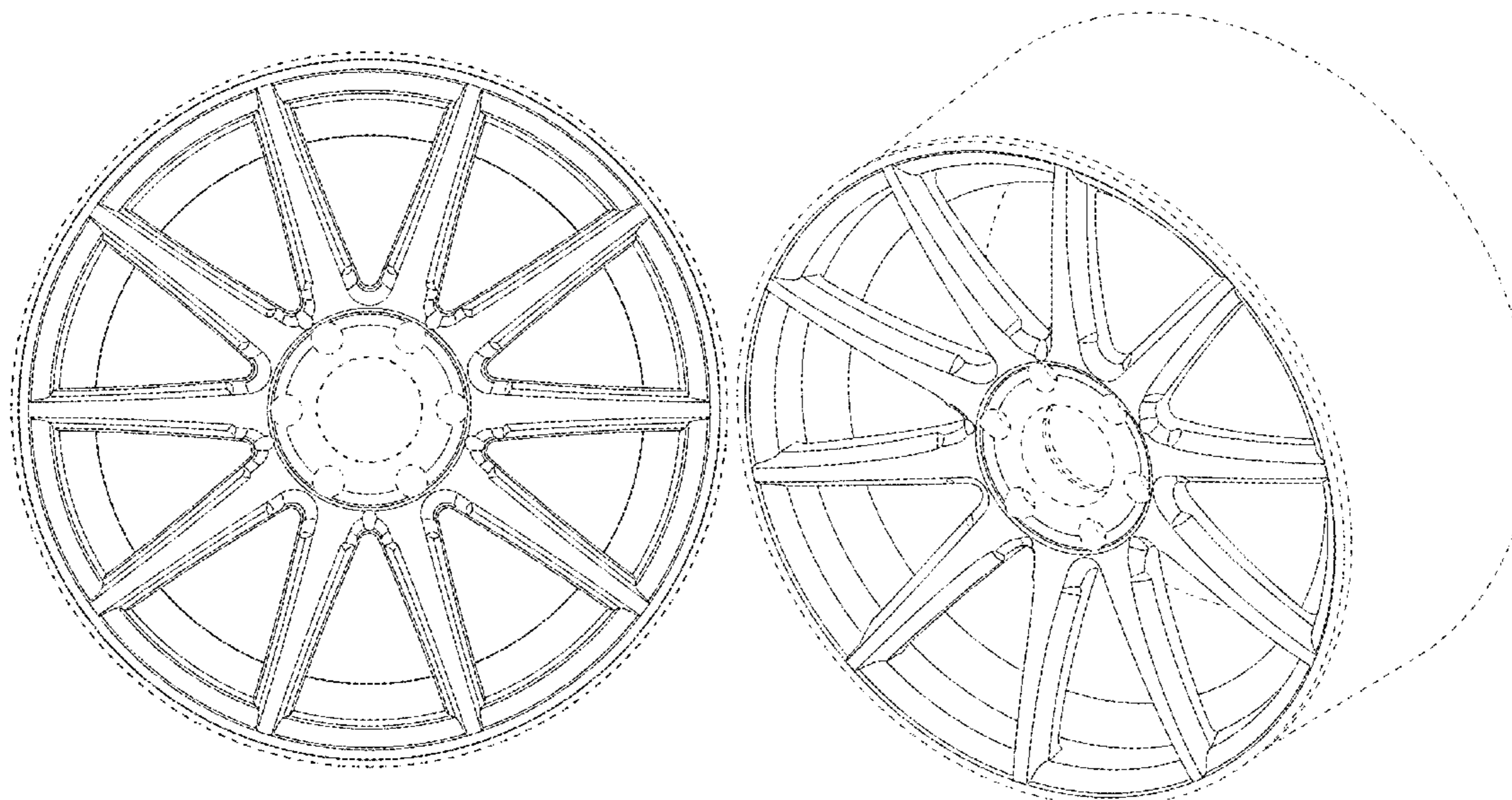
(57) **CLAIM**

I claim the ornamental design for a wheel rim, as shown and described.

DESCRIPTION

FIG. 1 is a front elevation view of a wheel rim of the new design; and,
FIG. 2 is a top, front, right side perspective view thereof. The broken lines depicting portions of the wheel rim form no part of the claim.

1 Claim, 2 Drawing Sheets



(56)

References Cited

U.S. PATENT DOCUMENTS

D620,862 S 8/2010 Pollmann
 D623,110 S 9/2010 Juergens et al.
 D628,948 S 12/2010 Chung
 D629,347 S 12/2010 Kim
 D632,239 S * 2/2011 Gallert D12/211
 D638,766 S * 5/2011 Hilpert D12/211
 D639,222 S 6/2011 Johnson
 D644,587 S 9/2011 Gotschke
 D655,663 S * 3/2012 Zhao D12/211
 D658,105 S * 4/2012 Hans D12/211
 D659,063 S 5/2012 Johnson
 D660,220 S 5/2012 Chan
 D666,546 S 9/2012 Juergens et al.
 D667,355 S 9/2012 Gotschke
 D682,180 S 5/2013 Zhao
 D688,190 S 8/2013 Hodges
 D691,542 S 10/2013 Chan
 D695,183 S 12/2013 Chung
 D696,616 S 12/2013 Gueler et al.
 D697,015 S 1/2014 Nemeth
 D702,173 S 4/2014 Perini
 D706,196 S 6/2014 Lee
 D715,722 S 10/2014 Johnson
 D717,224 S 11/2014 Kim
 D717,711 S 11/2014 Kern
 D720,271 S 12/2014 Mielke et al.
 D721,318 S 1/2015 Kim
 D722,937 S 2/2015 Johnson
 D724,515 S 3/2015 Chung
 D726,089 S 4/2015 Hodges
 D726,090 S 4/2015 Hilpert
 D726,617 S * 4/2015 Dingle D12/209
 D726,618 S * 4/2015 Dingle D12/209
 D739,329 S 9/2015 Watkin
 D744,399 S 12/2015 Juergens et al.
 D744,931 S 12/2015 Curic et al.
 D749,486 S 2/2016 Huang
 D751,017 S 3/2016 Chung
 D751,481 S 3/2016 Chung
 D751,966 S 3/2016 Zhao
 D754,049 S 4/2016 Valencia Pollex
 D755,690 S * 5/2016 von Tardy-Tuch D12/209
 D756,877 S 5/2016 Huang
 D763,766 S * 8/2016 Alfonso D12/211
 D766,155 S * 9/2016 Wheel D12/211
 D772,133 S 11/2016 Stone et al.
 D775,047 S 12/2016 Wheel
 D782,951 S 4/2017 Bjerke
 D786,768 S 5/2017 Yousswef
 D789,269 S 6/2017 Krause
 D791,035 S 7/2017 Palana
 D799,398 S 10/2017 Liffick
 D800,628 S 10/2017 Tran
 D802,511 S * 11/2017 Gallert D12/211
 D803,129 S 11/2017 McMath
 D803,133 S 11/2017 Bucher et al.
 D806,630 S 1/2018 McMath
 D808,325 S 1/2018 Chung

D813,137 S 3/2018 Sempek
 D813,780 S 3/2018 Sempek
 D815,005 S 4/2018 Cloke
 D817,840 S 5/2018 Chung
 D817,844 S 5/2018 Hale, Jr.
 D824,834 S 8/2018 Lickliter
 D828,271 S 9/2018 Han
 D828,802 S * 9/2018 McMath D12/211
 D833,941 S * 11/2018 Chung D12/209
 D834,487 S 11/2018 Han
 D837,708 S * 1/2019 Chung D12/209
 D845,204 S * 4/2019 Hilpert D12/211
 D845,860 S 4/2019 Kulla et al.
 D845,864 S * 4/2019 Han D12/211
 D855,540 S * 8/2019 Han D12/211
 D858,405 S 9/2019 Marmine et al.
 D860,908 S 9/2019 Han
 D860,912 S * 9/2019 Luo D12/211
 D867,954 S * 11/2019 Yeh D12/209
 D878,992 S 3/2020 Yeh
 D879,006 S 3/2020 Metros et al.
 D892,018 S 8/2020 Han
 D892,705 S * 8/2020 Wittinger D12/211
 D896,729 S * 9/2020 Chung D12/211
 D908,064 S * 1/2021 Mukti D12/209
 D908,069 S 1/2021 Lee
 D926,657 S * 8/2021 Kato D12/211
 D928,063 S * 8/2021 Han D12/211
 D928,064 S * 8/2021 Snyder D12/209
 D935,368 S * 11/2021 Yeh D12/209

OTHER PUBLICATIONS

Raceline Wheels, Go Everywhere, Catalog, Oct. 16, 2015, Allied Wheel Components Inc., vol. 24, 28 pages.
 Raceline Wheels, Go Everywhere, Catalog, Feb. 21, 2017, Allied Wheel Components Inc., vol. 22, 9 pages.
 Raceline Wheels, Go Everywhere, Catalog, Feb. 21, 2017, Allied Wheel Components Inc., vol. 23, 16 pages.
 Raceline Wheels, Go Everywhere, Catalog, Feb. 23, 2017, Allied Wheel Components Inc., vol. 28, 20 pages.
 Raceline Wheels, Go Everywhere, Catalog, Mar. 24, 2016, Allied Wheel Components Inc., vol. 26, 28 pages.
 Raceline Wheels, Go Everywhere, Catalog, Oct. 24, 2016, Allied Wheel Components Inc., vol. 27, 20 pages.
 Raceline Wheels, Go Everywhere, Catalog, Oct. 25, 2017, Allied Wheel Components Inc., vol. 30, 20 pages.
 Raceline Wheels, Go Everywhere, Catalog, Jan. 26, 2016, Allied Wheel Components Inc., vol. 25, 28 pages.
 Raceline Wheels, Go Everywhere, Catalog, Feb. 27, 2018, Allied Wheel Components Inc., vol. 31, 24 pages.
 Raceline Wheels, Go Everywhere, Catalog, Allied Wheel Components Inc., vol. 22, 16 pages.
 Raceline Wheels, Go Everywhere, Catalog, Allied Wheel Components Inc., vol. 26, 13 pages.
 Office Action, U.S. Appl. No. 29/719,784, dated May 19, 2021.
 Raceline Wheels, SEMA, Catalog, 2019, Allied Wheel Components INC., vol. 32, 24 pages.

* cited by examiner

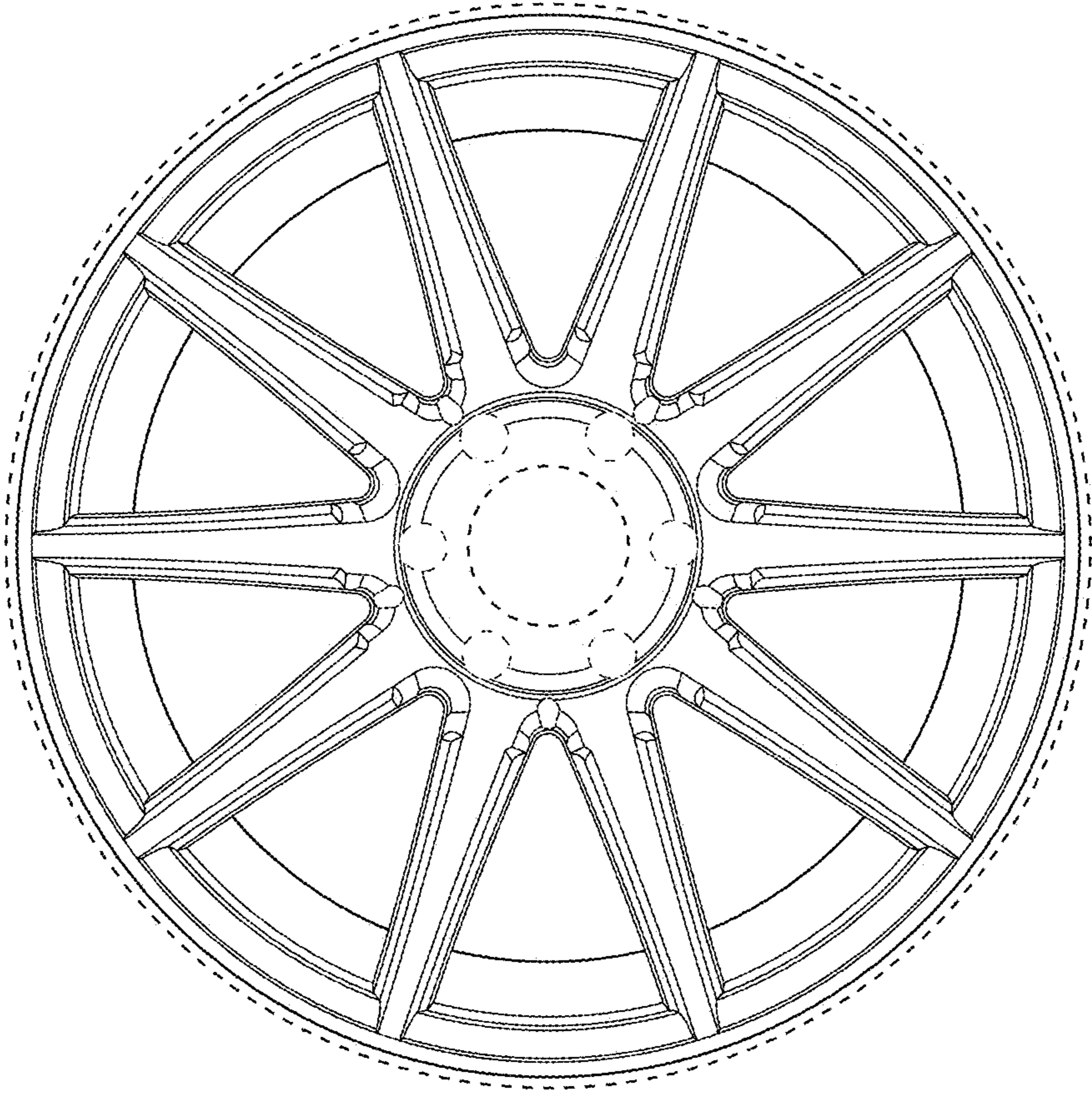


FIG. 1

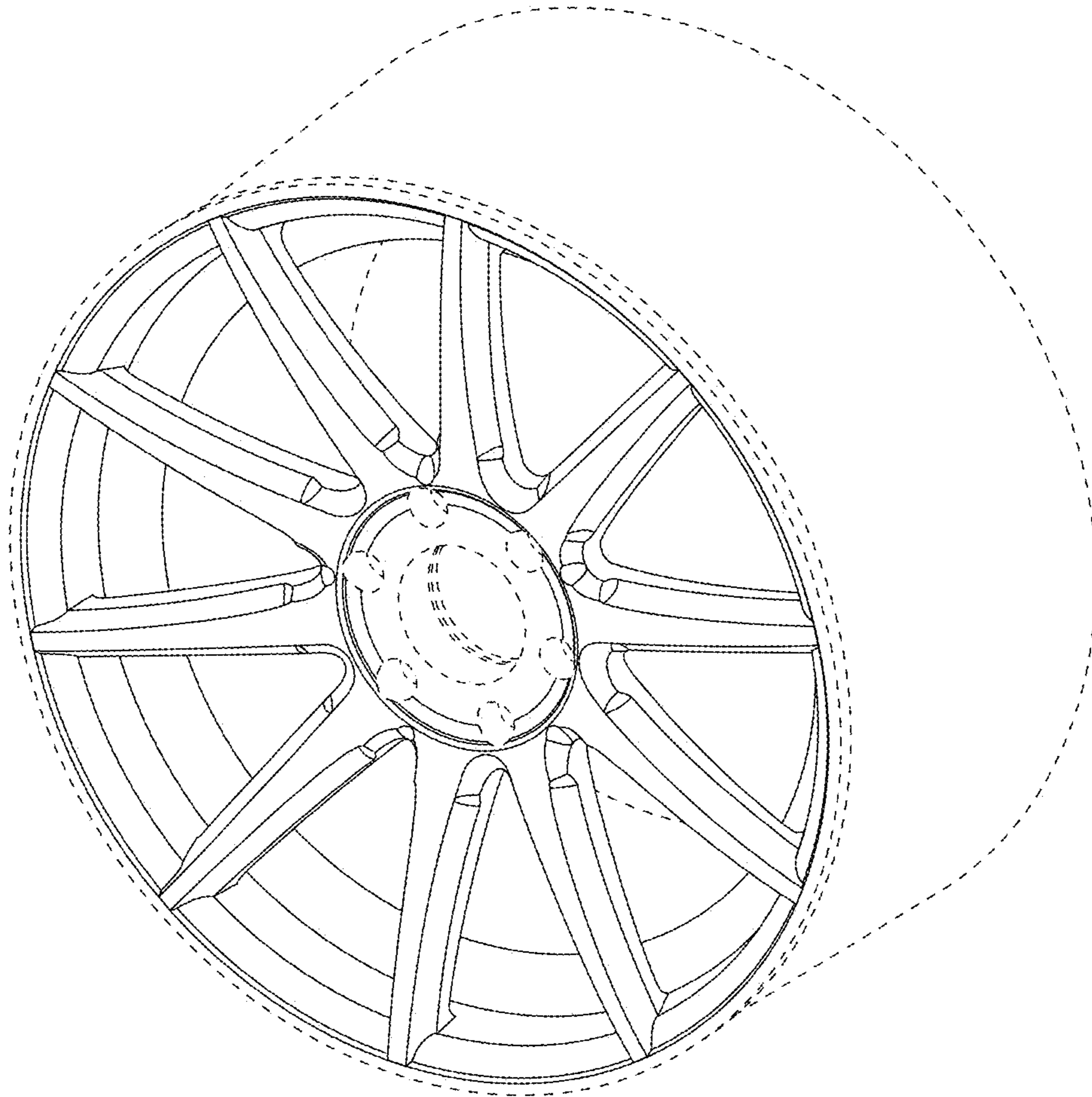


FIG. 2