



US00D945346S

(12) **United States Design Patent**  
**Abderrazak**

(10) **Patent No.:** **US D945,346 S**  
(45) **Date of Patent:** **\*\* Mar. 8, 2022**

- (54) **WHEEL RIM**
- (71) Applicant: **Naim Abderrazak**, Arlington, TX (US)
- (72) Inventor: **Naim Abderrazak**, Arlington, TX (US)
- (\*\*) Term: **15 Years**
- (21) Appl. No.: **29/748,779**
- (22) Filed: **Sep. 1, 2020**
- (51) **LOC (13) Cl.** ..... **12-16**
- (52) **U.S. Cl.**  
USPC ..... **D12/209**
- (58) **Field of Classification Search**  
USPC ..... D12/204–213; D21/563  
CPC .... B60B 7/00; B60B 7/02; B60B 7/04; B60B  
7/01; B60B 7/06; B60B 3/02; B60B 3/04;  
B60B 3/06; B60B 3/10; B60B 1/00;  
B60B 1/08; B60B 1/10; B60B 1/12  
See application file for complete search history.

|              |        |                 |       |         |
|--------------|--------|-----------------|-------|---------|
| D688,189 S * | 8/2013 | Alfonso         | ..... | D12/211 |
| D702,613 S * | 4/2014 | Scheinhutte     | ..... | D12/211 |
| D748,035 S * | 1/2016 | Wagener         | ..... | D12/211 |
| D749,031 S * | 2/2016 | Zhao            | ..... | D12/211 |
| D755,101 S * | 5/2016 | Gallert         | ..... | D12/211 |
| D760,636 S * | 7/2016 | Kolb            | ..... | D12/211 |
| D791,048 S * | 7/2017 | Valencia Pollex | ..... | D12/211 |
| D822,576 S * | 7/2018 | Austin          | ..... | D12/211 |
| D844,532 S * | 4/2019 | Austin          | ..... | D12/211 |
| D887,940 S * | 6/2020 | Preyss          | ..... | D12/209 |
| D906,939 S * | 1/2021 | Ma              | ..... | D12/211 |
| D908,586 S * | 1/2021 | Setter          | ..... | D12/211 |
| D922,928 S * | 6/2021 | Kong            | ..... | D12/211 |

\* cited by examiner

*Primary Examiner* — Stacia A Cadmus

(74) *Attorney, Agent, or Firm* — Eric Karich; Karich & Associates

(57) **CLAIM**

The ornamental design for a wheel rim, as shown and described.

**DESCRIPTION**

FIG. 1 is a perspective view of a wheel rim, showing my new design; and,

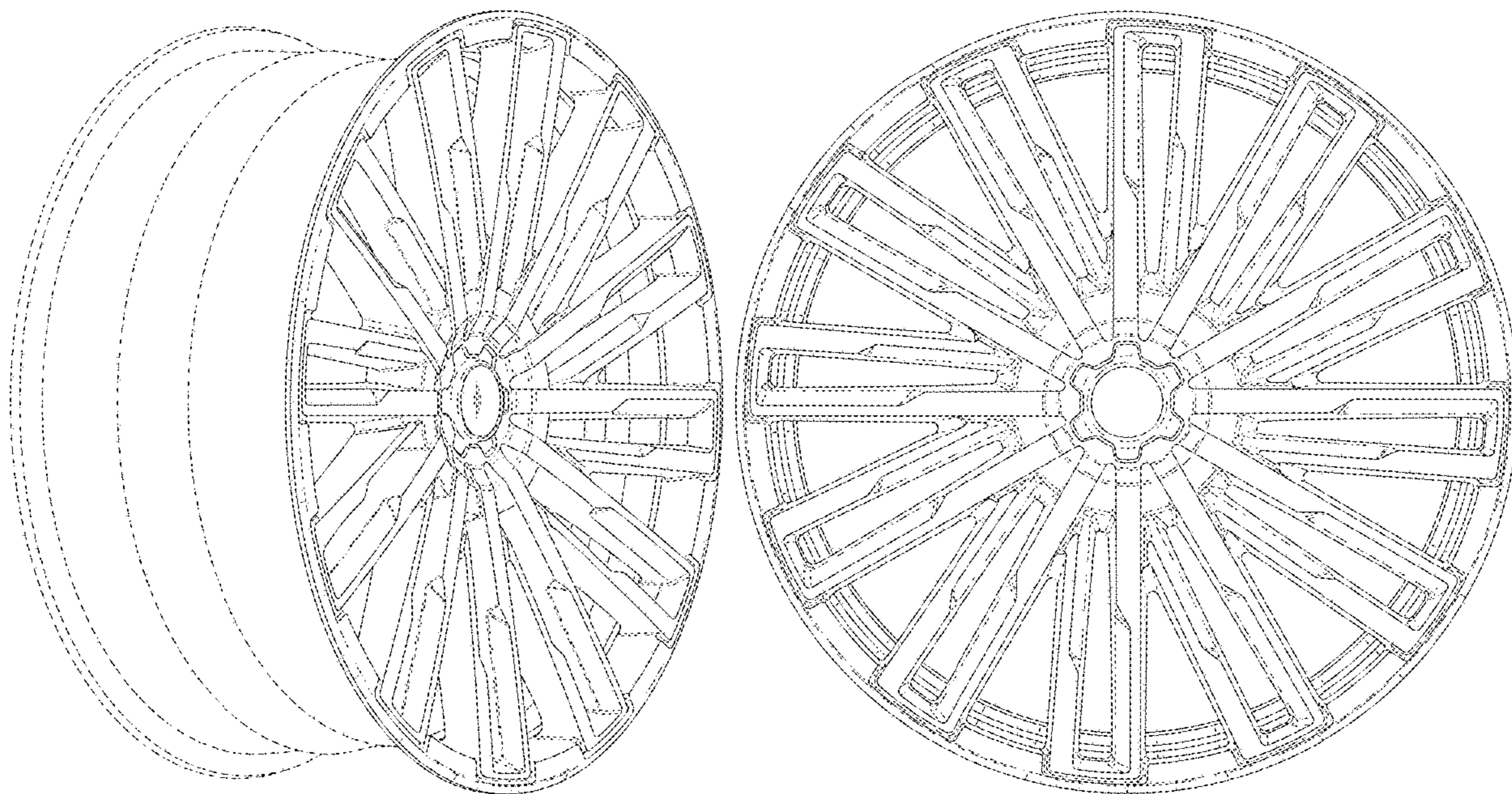
FIG. 2 is a front elevational view thereof.

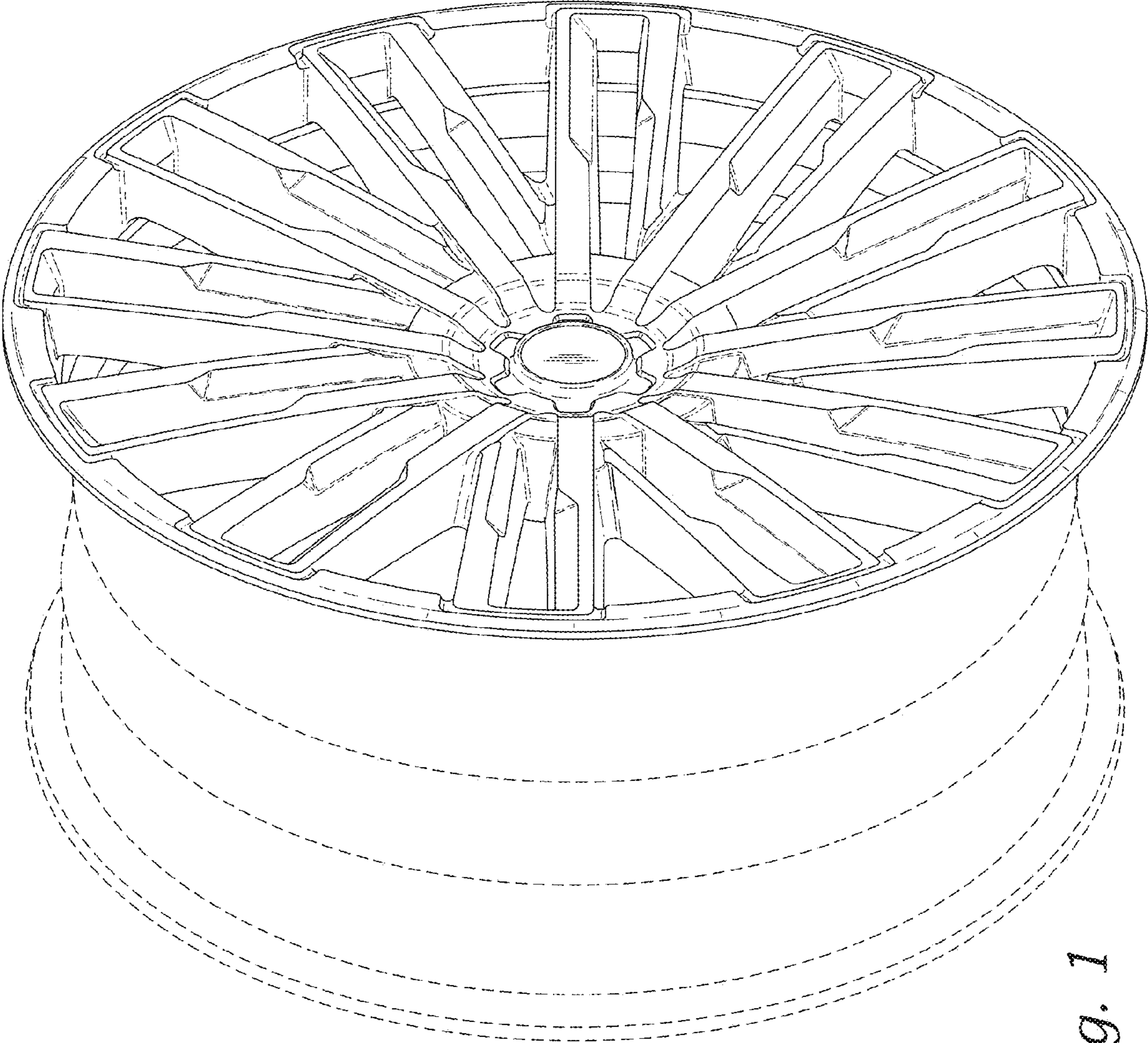
In the drawings the broken lines depict portions of the wheel rim that form no part of the claimed design.

**1 Claim, 2 Drawing Sheets**

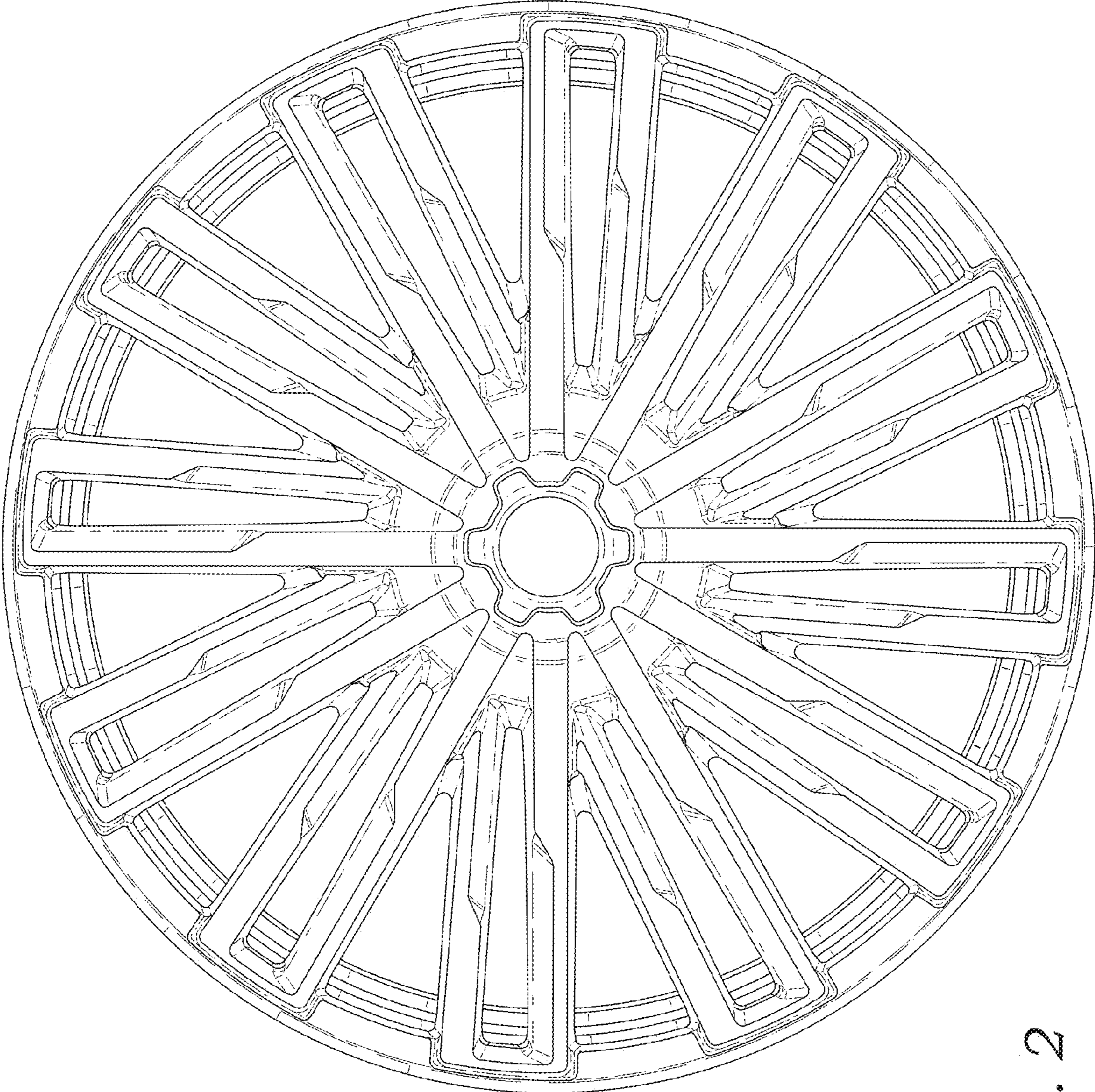
(56) **References Cited**  
U.S. PATENT DOCUMENTS

|              |         |          |       |         |
|--------------|---------|----------|-------|---------|
| D500,726 S * | 1/2005  | Hettler  | ..... | D12/211 |
| D525,932 S * | 8/2006  | Hettler  | ..... | D12/211 |
| D578,455 S * | 10/2008 | Pfeiffer | ..... | D12/211 |
| D591,661 S * | 5/2009  | Baum     | ..... | D12/209 |
| D668,197 S * | 10/2012 | Gotschke | ..... | D12/211 |





*Fig. 1*



*Fig. 2*