

US00D945345S

(12) **United States Design Patent**
Abderrazak

(10) **Patent No.:** **US D945,345 S**

(45) **Date of Patent:** **** Mar. 8, 2022**

(54) **WHEEL RIM**

(71) Applicant: **Naim Abderrazak**, Arlington, TX (US)

(72) Inventor: **Naim Abderrazak**, Arlington, TX (US)

(**) Term: **15 Years**

(21) Appl. No.: **29/748,776**

(22) Filed: **Sep. 1, 2020**

(51) **LOC (13) Cl.** **12-16**

(52) **U.S. Cl.**
USPC **D12/209**

(58) **Field of Classification Search**
USPC D12/204–213; D21/563
CPC B60B 7/00; B60B 7/02; B60B 7/04; B60B
7/01; B60B 7/06; B60B 3/02; B60B 3/04;
B60B 3/06; B60B 3/10; B60B 1/00;
B60B 1/08; B60B 1/10; B60B 1/12
See application file for complete search history.

(56) **References Cited**

U.S. PATENT DOCUMENTS

D584,673 S	*	1/2009	Chung	D12/209
D639,223 S	*	6/2011	Johnson	D12/209
D649,107 S	*	11/2011	Hale, Jr.	D12/211
D680,047 S	*	4/2013	Hale, Jr.	D12/209
D701,480 S	*	3/2014	Kong	D12/209

D719,890 S	*	12/2014	Johnson	D12/209
D736,133 S	*	8/2015	Hale	D12/209
D736,138 S	*	8/2015	Hale	D12/213
D746,209 S	*	12/2015	Chung	D12/209
D756,281 S	*	5/2016	Chung	D12/209
D759,561 S	*	6/2016	Hale, Jr.	D12/209
D787,412 S	*	5/2017	Alfonso	D12/211
D791,043 S	*	7/2017	Johnson	D12/209
D865,611 S	*	11/2019	Interrante	D12/209
D883,891 S	*	5/2020	Johnson	D12/209
D908,580 S	*	1/2021	Mukti	D12/209
D908,582 S	*	1/2021	Mukti	D12/209
D912,594 S	*	3/2021	Ranum	D12/209
D922,927 S	*	6/2021	Kaoud	D12/209

* cited by examiner

Primary Examiner — Stacia A Cadmus

(74) *Attorney, Agent, or Firm* — Eric Karich; Karich & Associates

(57) **CLAIM**

The ornamental design for a wheel rim, as shown and described.

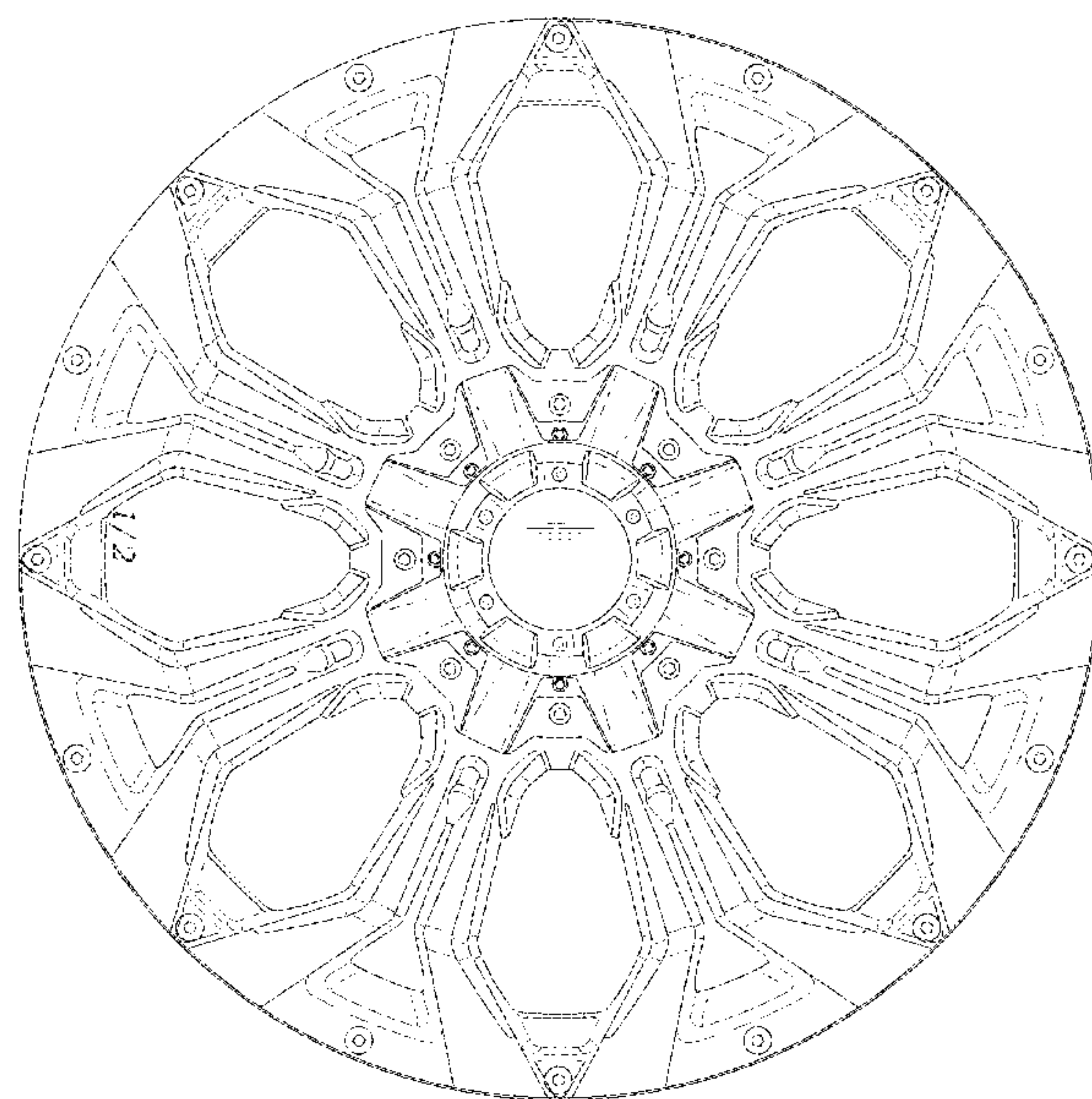
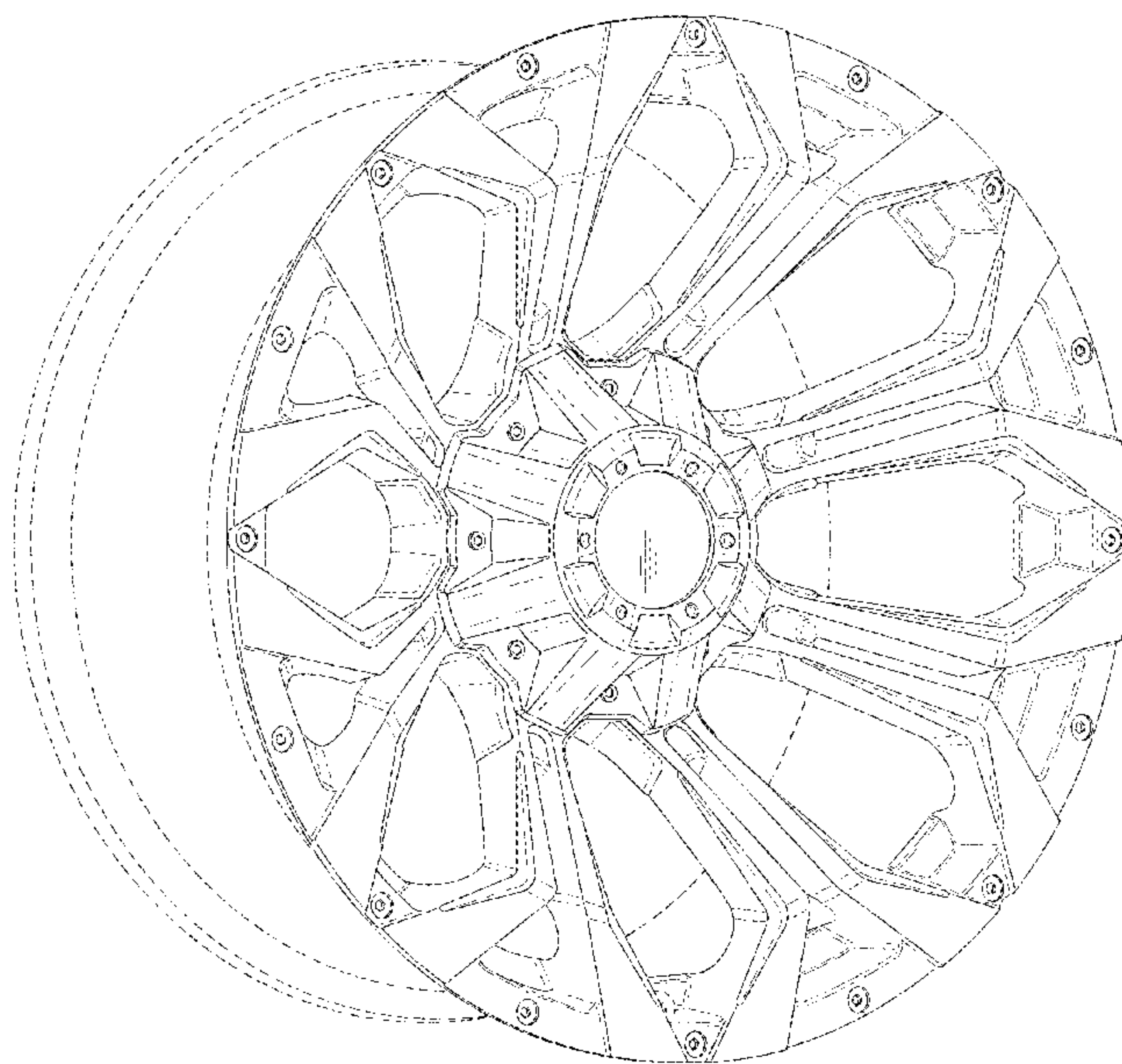
DESCRIPTION

FIG. 1 is a perspective view of a wheel rim, showing my new design; and,

FIG. 2 is a front elevational view thereof.

In the drawings the broken lines depict portions of the wheel rim that form no part of the claimed design.

1 Claim, 2 Drawing Sheets



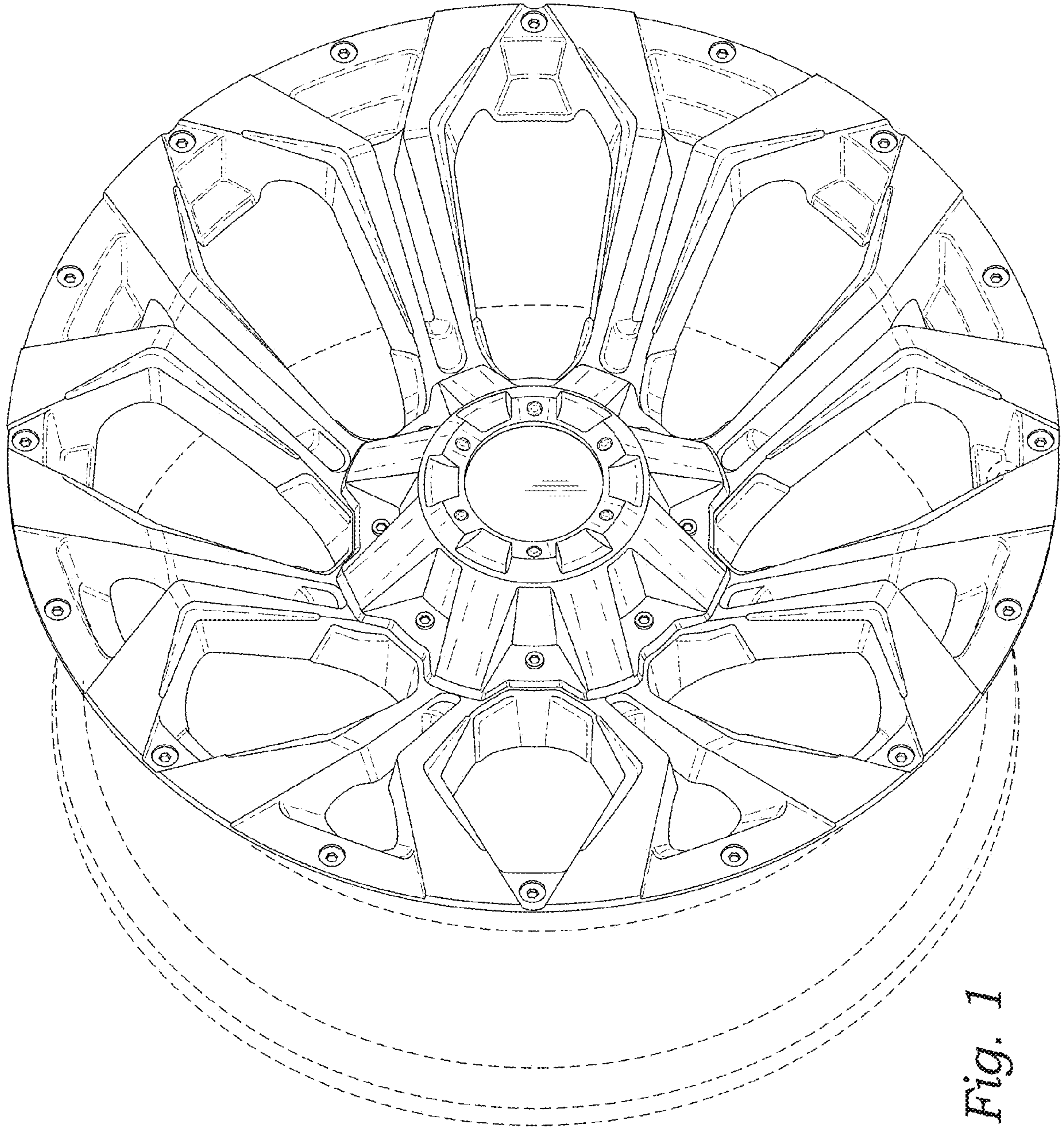


Fig. 1

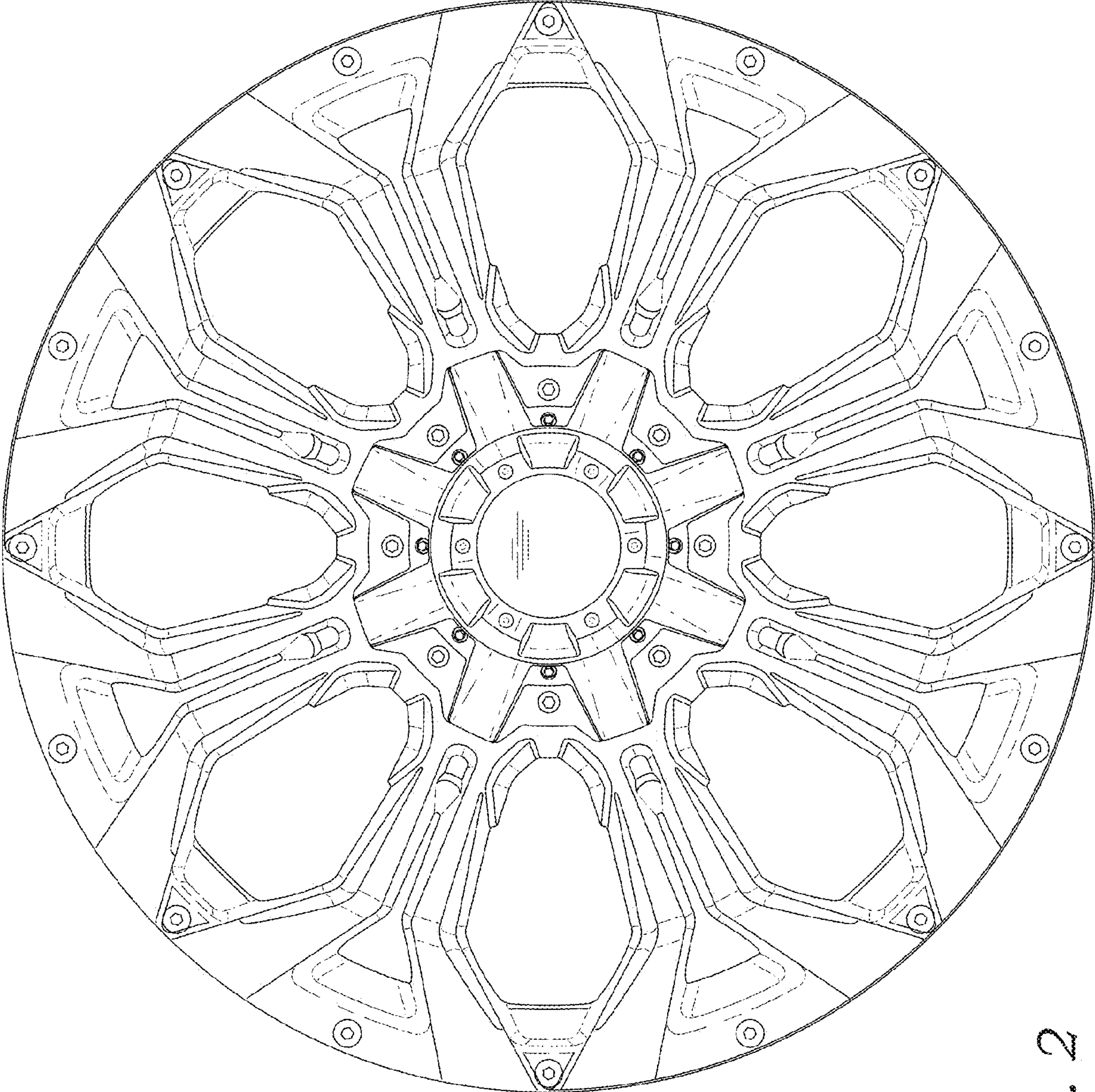


Fig. 2