



US00D945344S

(12) **United States Design Patent**
Abderrazak

(10) **Patent No.:** **US D945,344 S**

(45) **Date of Patent:** **** Mar. 8, 2022**

(54) **WHEEL RIM**

(71) Applicant: **Naim Abderrazak**, Arlington, TX (US)

(72) Inventor: **Naim Abderrazak**, Arlington, TX (US)

(**) Term: **15 Years**

(21) Appl. No.: **29/748,775**

(22) Filed: **Sep. 1, 2020**

(51) **LOC (13) Cl.** **12-16**

(52) **U.S. Cl.**
USPC **D12/209**

(58) **Field of Classification Search**
USPC D12/204–213; D21/563
CPC B60B 7/00; B60B 7/02; B60B 7/04; B60B
7/01; B60B 7/06; B60B 3/02; B60B 3/04;
B60B 3/06; B60B 3/10; B60B 1/00;
B60B 1/08; B60B 1/10; B60B 1/12
See application file for complete search history.

(56) **References Cited**

U.S. PATENT DOCUMENTS

D685,309 S *	7/2013	Alfonso	D12/209
D733,024 S *	6/2015	Valencia Pollex	D12/209
D740,196 S *	10/2015	Valencia Pollex	D12/209
D774,436 S *	12/2016	Valencia Pollex	D12/209
D784,897 S *	4/2017	Zhao	D12/211
D786,766 S *	5/2017	Rueckheim	D12/209
D788,673 S *	6/2017	Krause	D12/209
D798,212 S *	9/2017	Chung	D12/209

D819,538 S *	6/2018	Badstuebner	D12/211
D828,264 S *	9/2018	Owens	D12/209
D830,265 S *	10/2018	Chung	D12/209
D842,191 S *	3/2019	Han	D12/209
D847,063 S *	4/2019	Kikuchi	D12/209
D847,068 S *	4/2019	Juergens	D12/209
D848,344 S *	5/2019	Juergens	D12/209
D860,092 S *	9/2019	Milani	D12/209
D863,179 S *	10/2019	Gallert	D12/209
D863,190 S *	10/2019	Han	D12/209
D871,302 S *	12/2019	Han	D12/209
D889,364 S *	7/2020	Han	D12/209
D894,080 S *	8/2020	Valencia Pollex	D12/209
D911,910 S *	3/2021	Hale, Jr.	D12/209
D915,985 S *	4/2021	Hilpert	D12/209

* cited by examiner

Primary Examiner — Stacia A Cadmus

(74) *Attorney, Agent, or Firm* — Eric Karich; Karich & Associates

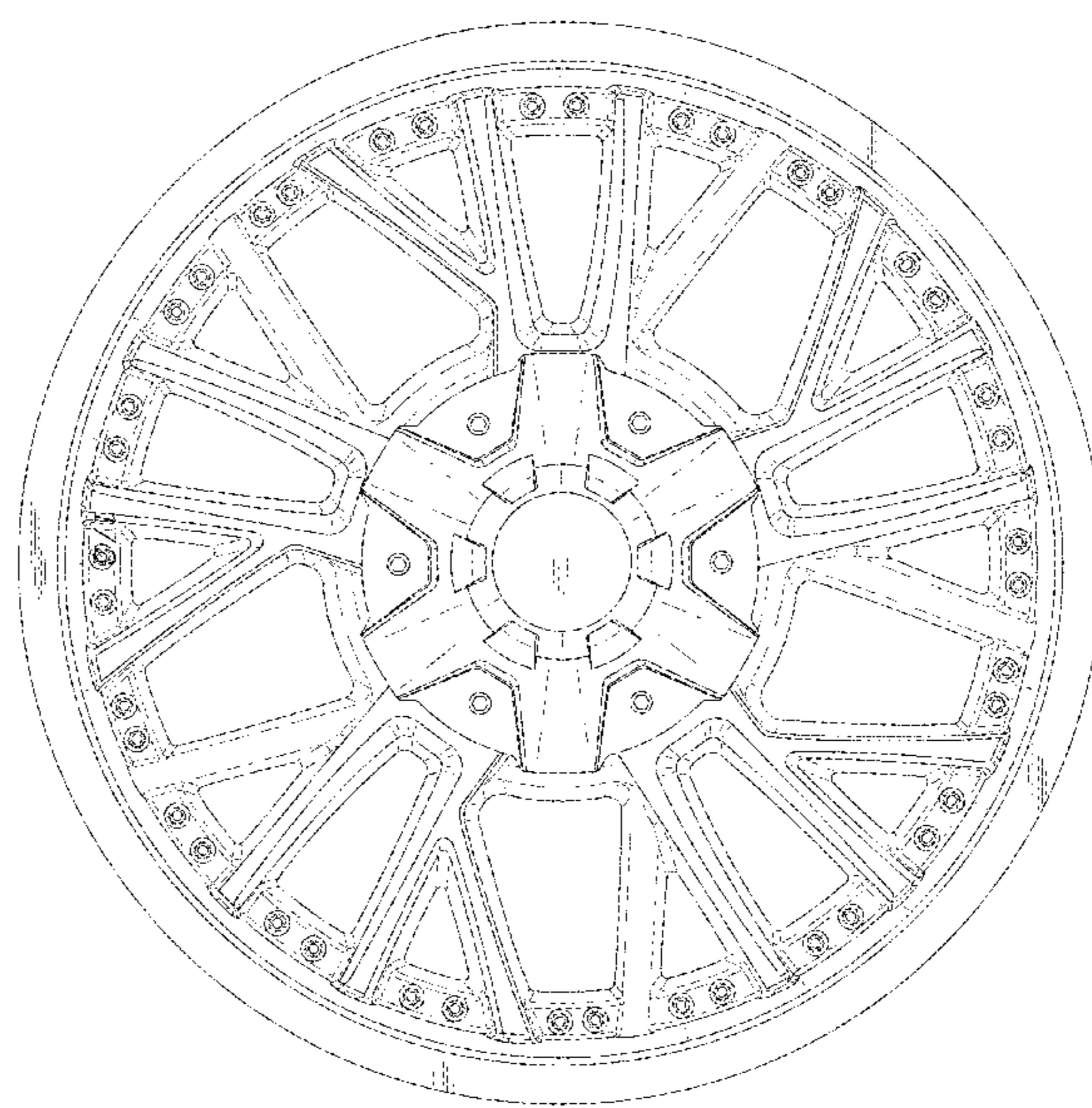
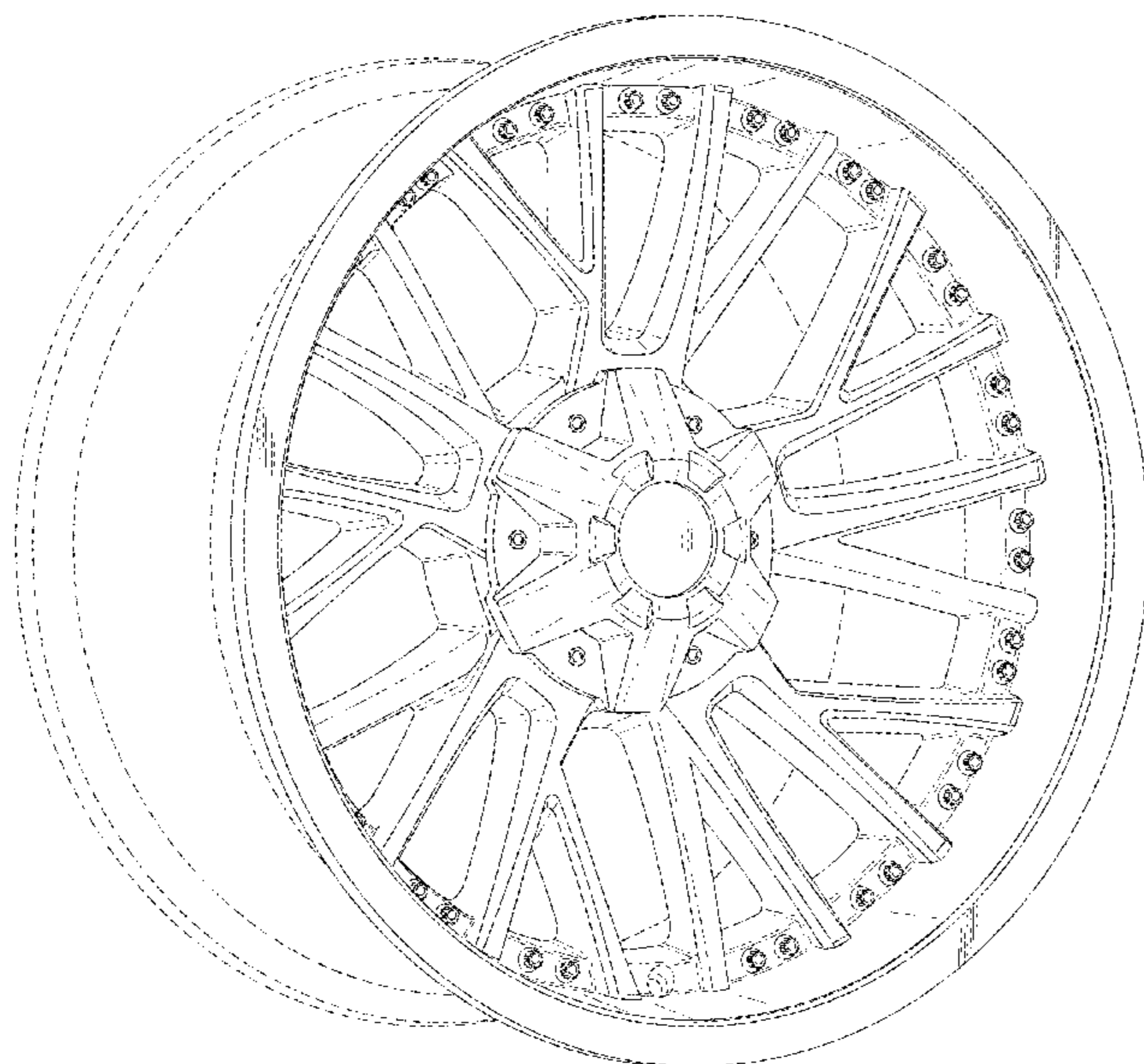
(57) **CLAIM**

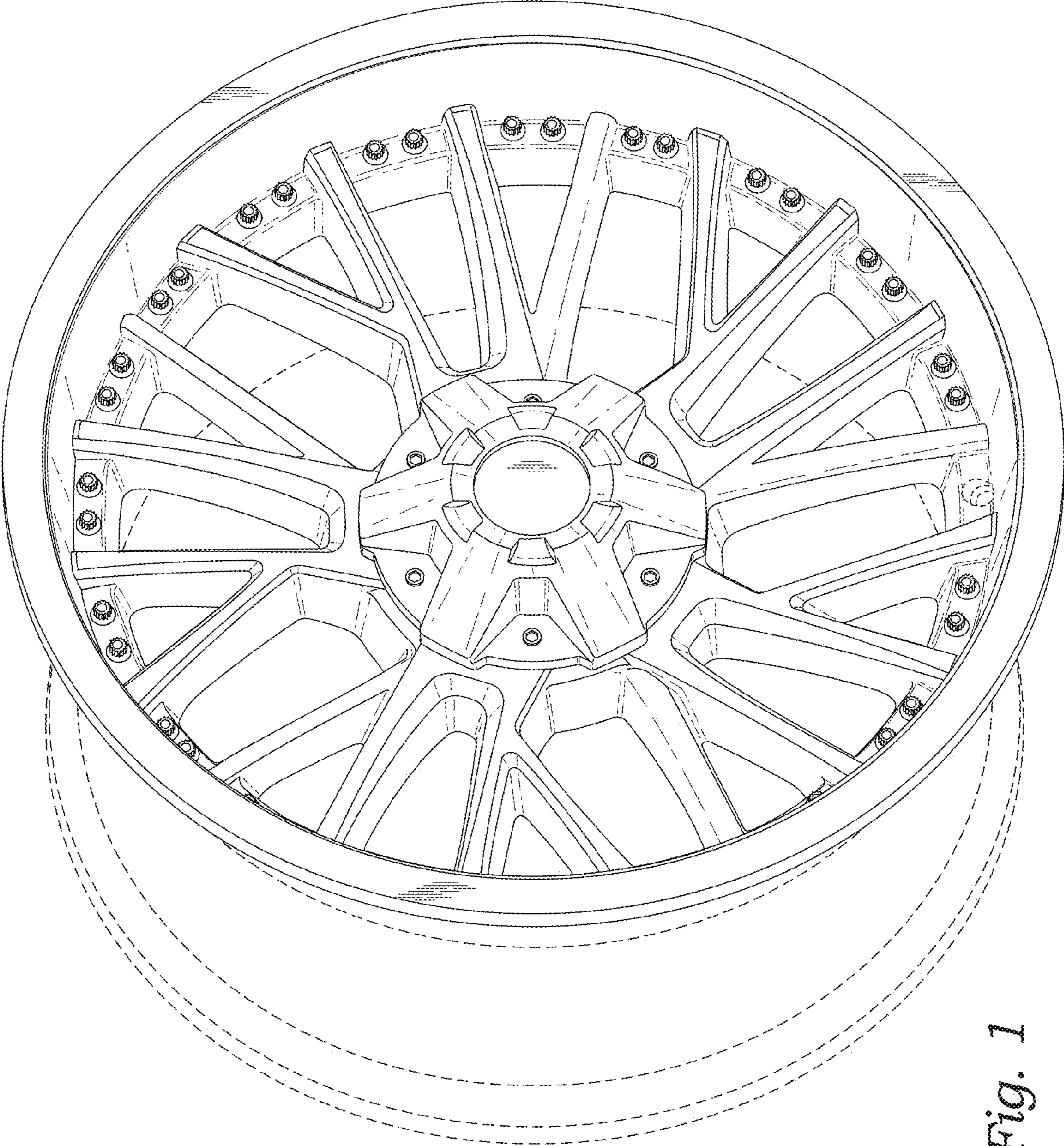
The ornamental design for a wheel rim, as shown and described.

DESCRIPTION

FIG. 1 is a perspective view of a wheel rim, showing my new design; and, FIG. 2 is a front elevational view thereof. In the drawings the broken lines depict portions of the wheel rim that form no part of the claimed design.

1 Claim, 2 Drawing Sheets





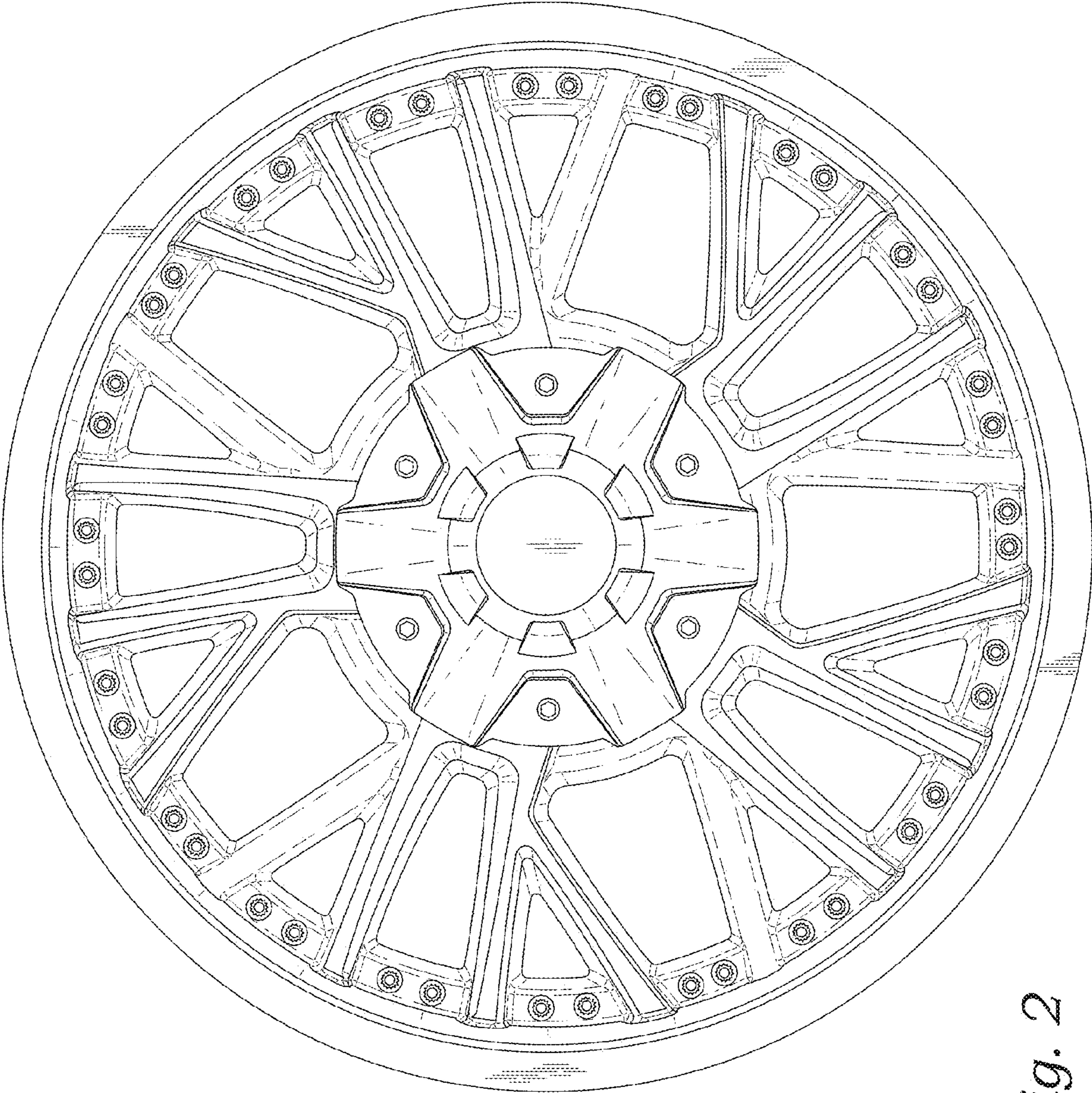


Fig. 2