



US00D945343S

(12) **United States Design Patent**
Abderrazak

(10) **Patent No.:** **US D945,343 S**

(45) **Date of Patent:** **** Mar. 8, 2022**

(54) **WHEEL RIM**

(71) Applicant: **Naim Abderrazak**, Arlington, TX (US)

(72) Inventor: **Naim Abderrazak**, Arlington, TX (US)

(**) Term: **15 Years**

(21) Appl. No.: **29/748,773**

(22) Filed: **Sep. 1, 2020**

(51) **LOC (13) Cl.** **12-16**

(52) **U.S. Cl.**
USPC **D12/209**

(58) **Field of Classification Search**
USPC D12/204-213; D21/563
CPC B60B 7/00; B60B 7/02; B60B 7/04; B60B
7/01; B60B 7/06; B60B 3/02; B60B 3/04;
B60B 3/06; B60B 3/10; B60B 1/00;
B60B 1/08; B60B 1/10; B60B 1/12
See application file for complete search history.

D754,046 S *	4/2016	Chung	D12/209
D756,281 S *	5/2016	Chung	D12/209
D759,561 S *	6/2016	Hale, Jr.	D12/209
D767,465 S *	9/2016	Liffick	D12/209
D826,819 S *	8/2018	Chung	D12/209
D842,204 S *	3/2019	Khachatryan	D12/209
D858,406 S *	9/2019	Johnson	D12/209
D860,100 S *	9/2019	Groth	D12/209
D883,891 S *	5/2020	Johnson	D12/209
D886,705 S *	6/2020	Williams	D12/209
D891,344 S *	7/2020	Platto	D12/209
D912,594 S *	3/2021	Ranum	D12/209
D922,927 S *	6/2021	Kaoud	D12/209

* cited by examiner

Primary Examiner — Stacia A Cadmus

(74) *Attorney, Agent, or Firm* — Eric Karich; Karich & Associates

(57) **CLAIM**

The ornamental design for a wheel rim, as shown and described.

(56) **References Cited**

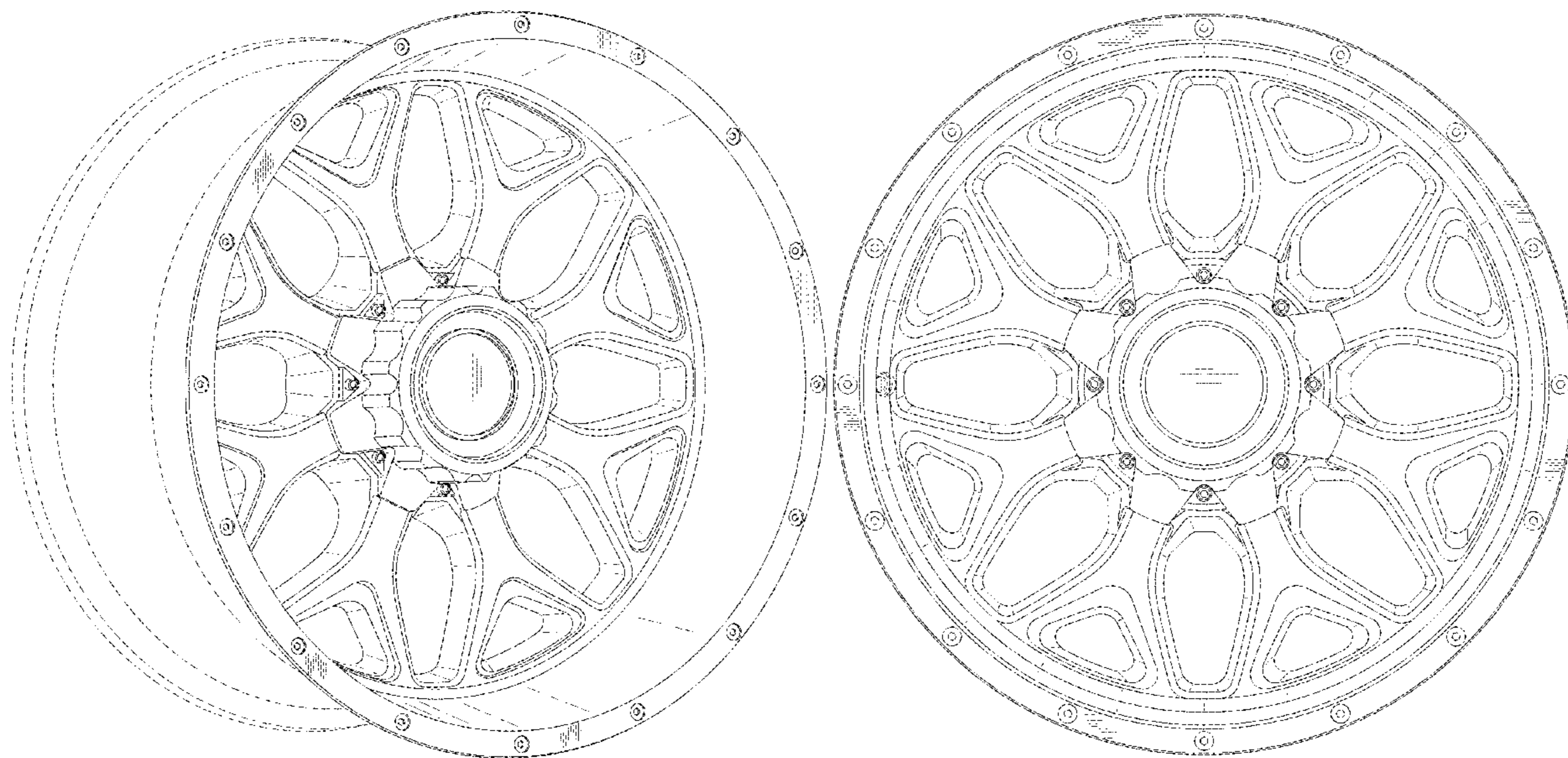
U.S. PATENT DOCUMENTS

D649,107 S *	11/2011	Hale, Jr.	D12/211
D695,182 S *	12/2013	Chung	D12/209
D714,202 S *	9/2014	Kim	D12/209
D715,717 S *	10/2014	Hodges	D12/209
D752,497 S *	3/2016	Johnson	D12/209
D753,569 S *	4/2016	Chung	D12/209
D754,045 S *	4/2016	Chung	D12/209

DESCRIPTION

FIG. 1 is a perspective view of a wheel rim, showing my new design; and,
FIG. 2 is a front elevational view thereof.
In the drawings the broken lines depict portions of the wheel rim that form no part of the claimed design.

1 Claim, 2 Drawing Sheets



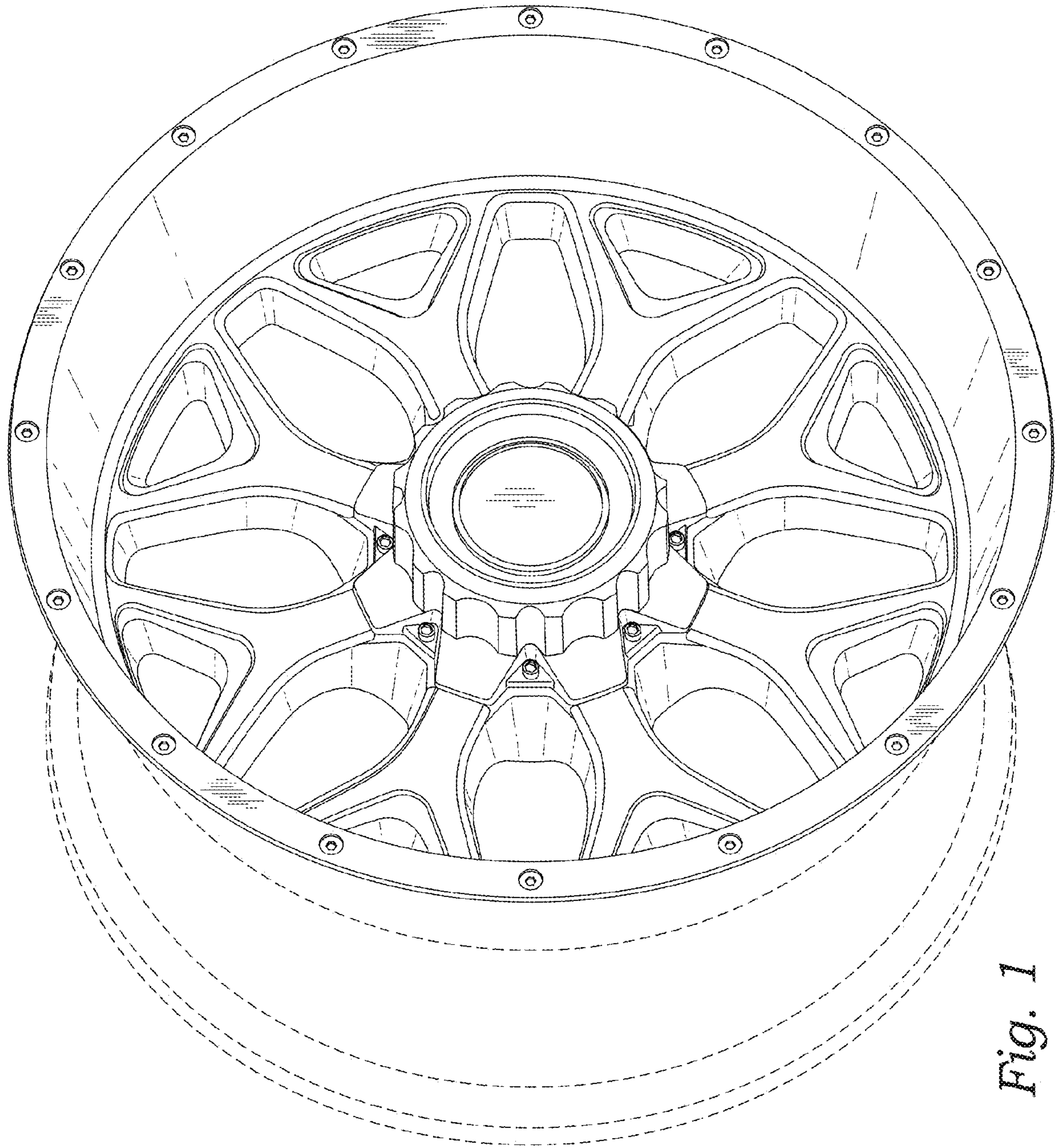


Fig. 1

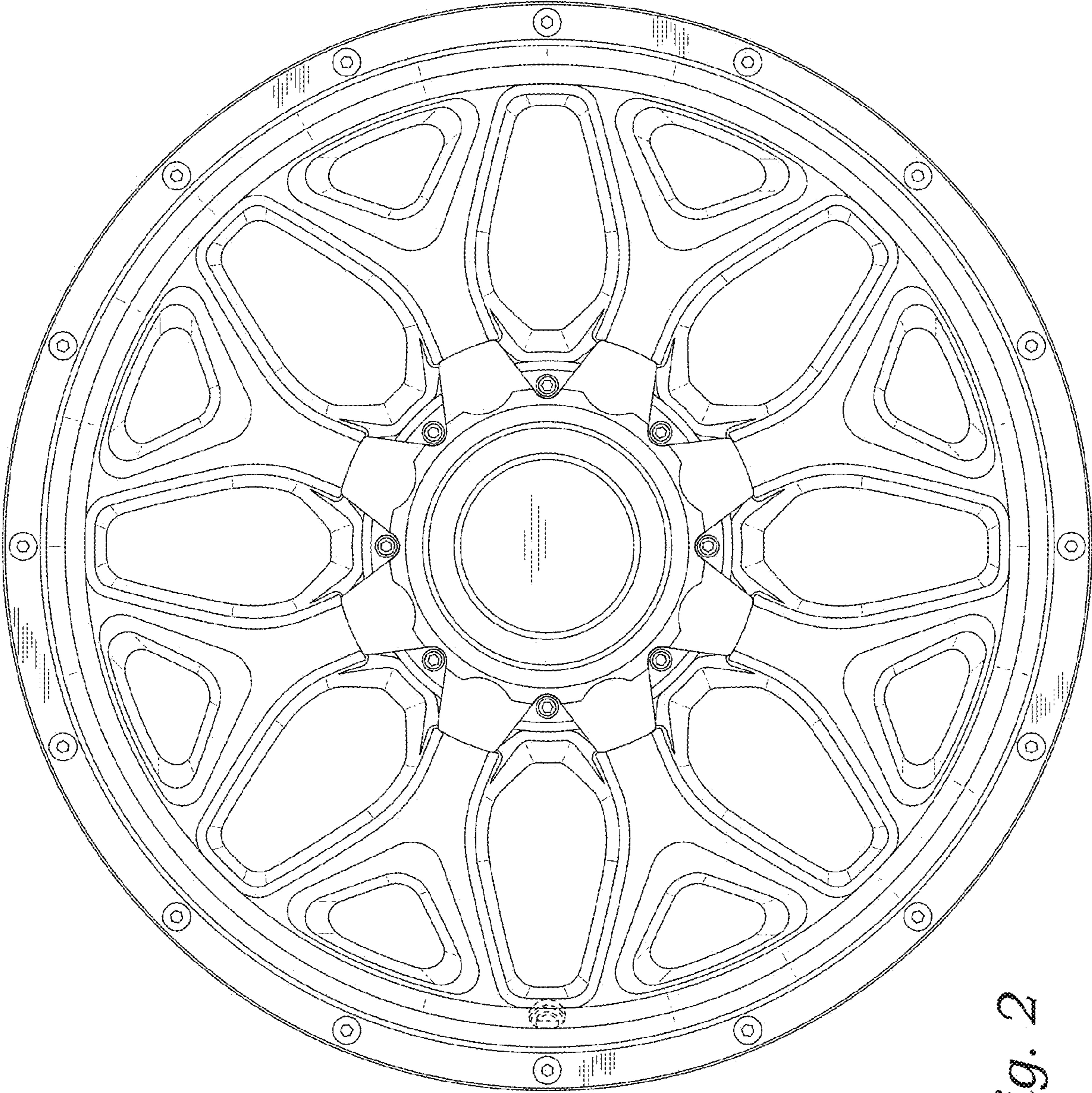


Fig. 2