



US00D945342S

(12) **United States Design Patent**  
**Sempek**

(10) **Patent No.:** **US D945,342 S**

(45) **Date of Patent:** **\*\* Mar. 8, 2022**

(54) **WHEEL RIM**

(71) Applicant: **Allied Wheel Components**, Garden Grove, CA (US)

(72) Inventor: **Christopher Sean Sempek**, Long Beach, CA (US)

(73) Assignee: **ALLIED WHEEL COMPONENTS**, Graden Grove, CA (US)

(\*\*) Term: **15 Years**

(21) Appl. No.: **29/719,776**

(22) Filed: **Jan. 7, 2020**

(51) **LOC (13) Cl.** ..... **12-16**

(52) **U.S. Cl.**  
USPC ..... **D12/209**

(58) **Field of Classification Search**  
USPC ..... D12/204–213; D21/563  
CPC .... B60B 7/00; B60B 7/02; B60B 7/04; B60B 7/01; B60B 7/06; B60B 3/02; B60B 3/04; B60B 3/06; B60B 3/10; B60B 1/00; B60B 1/08; B60B 1/10; B60B 1/12  
See application file for complete search history.

(56) **References Cited**

**U.S. PATENT DOCUMENTS**

D58,279 S	6/1921	Wheeh et al.	
1,404,382 A	1/1922	Lewis et al.	
1,530,863 A	3/1925	Vanderveer et al.	
D203,931 S *	3/1966	Hibbard	D12/211
D236,198 S *	8/1975	Clary	D12/211
D267,562 S *	1/1983	Palmer	D12/211
D268,261 S *	3/1983	Boyer	D12/211
D268,750 S *	4/1983	Eichstadt	D12/209
D324,200 S *	2/1992	Lorinser	D12/211
D345,338 S *	3/1994	Gabath	D12/209
D396,208 S	7/1998	Baumgartner et al.	
D406,807 S *	3/1999	Shikado	D12/211

D408,775 S *	4/1999	Shikado	D12/209
D416,850 S *	11/1999	Cohen	D12/211
D441,708 S *	5/2001	Pfeiffer	D12/211
D450,649 S	11/2001	Penzes	
D477,556 S	7/2003	Koch	
D481,984 S	11/2003	Sulahian	
D497,870 S	11/2004	Cahyono	
D502,136 S *	2/2005	Pfeiffer	D12/211
D504,101 S	4/2005	Pfeiffer	
D504,102 S	4/2005	Cheng	
D504,859 S *	5/2005	Sulahian	D12/209
D508,007 S	8/2005	Koch	
D513,728 S	1/2006	Yazawa et al.	
D516,490 S	3/2006	Baer	
D522,439 S *	6/2006	Laengerer	D12/211
D524,217 S	7/2006	Aoki	
D526,263 S *	8/2006	Brown	D12/209
D528,491 S *	9/2006	Wang Hsiao	D12/204
D529,426 S	10/2006	Metros et al.	

(Continued)

**OTHER PUBLICATIONS**

Raceline Wheels, Go Everywhere, Catalog, Apr. 7, 2017, Allied Wheel Components Inc. vol. 29, 16 pages.

(Continued)

*Primary Examiner* — Stacia A Cadmus

(74) *Attorney, Agent, or Firm* — Fish IP Law, LLP; Joseph A. Andelin

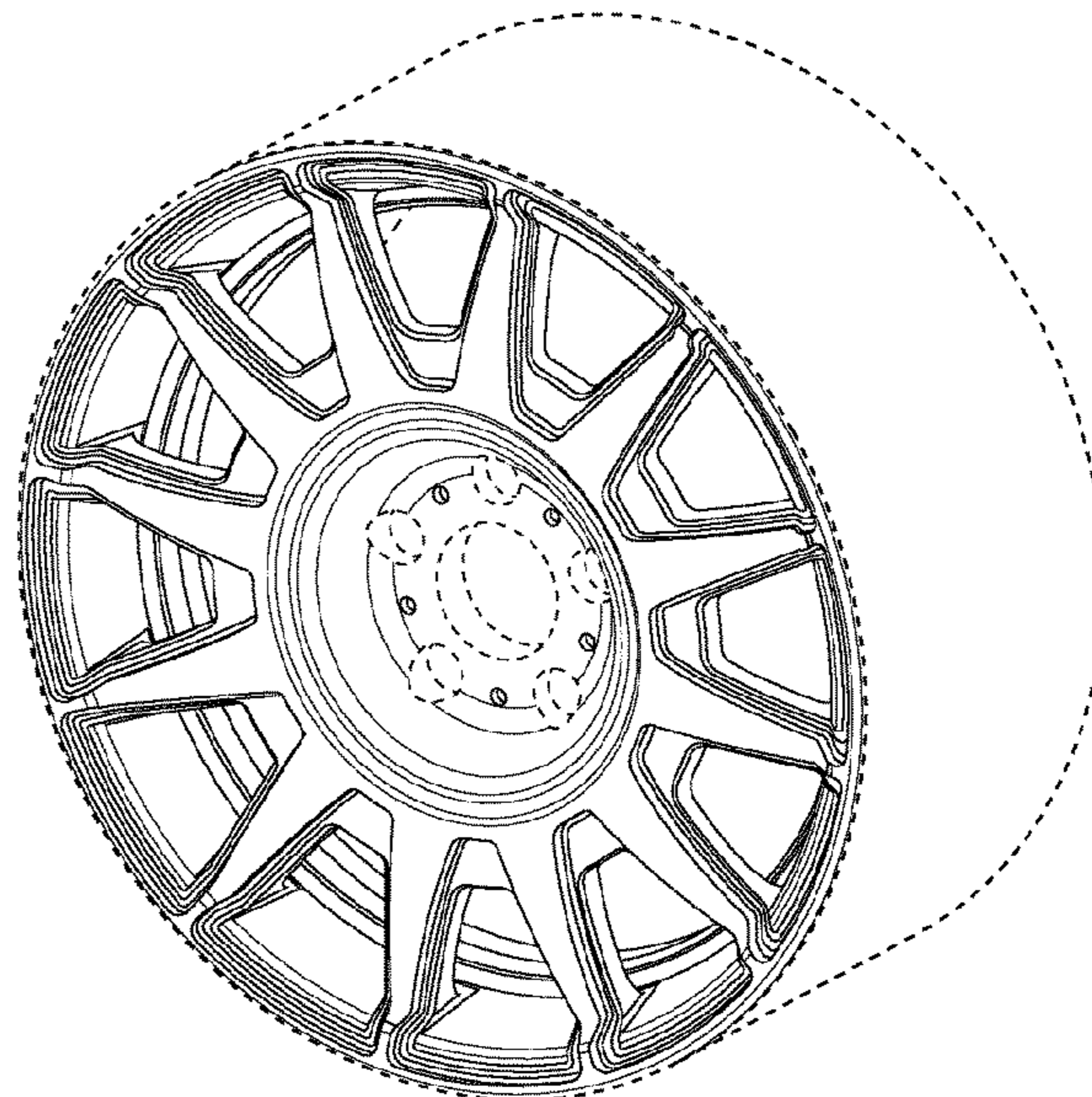
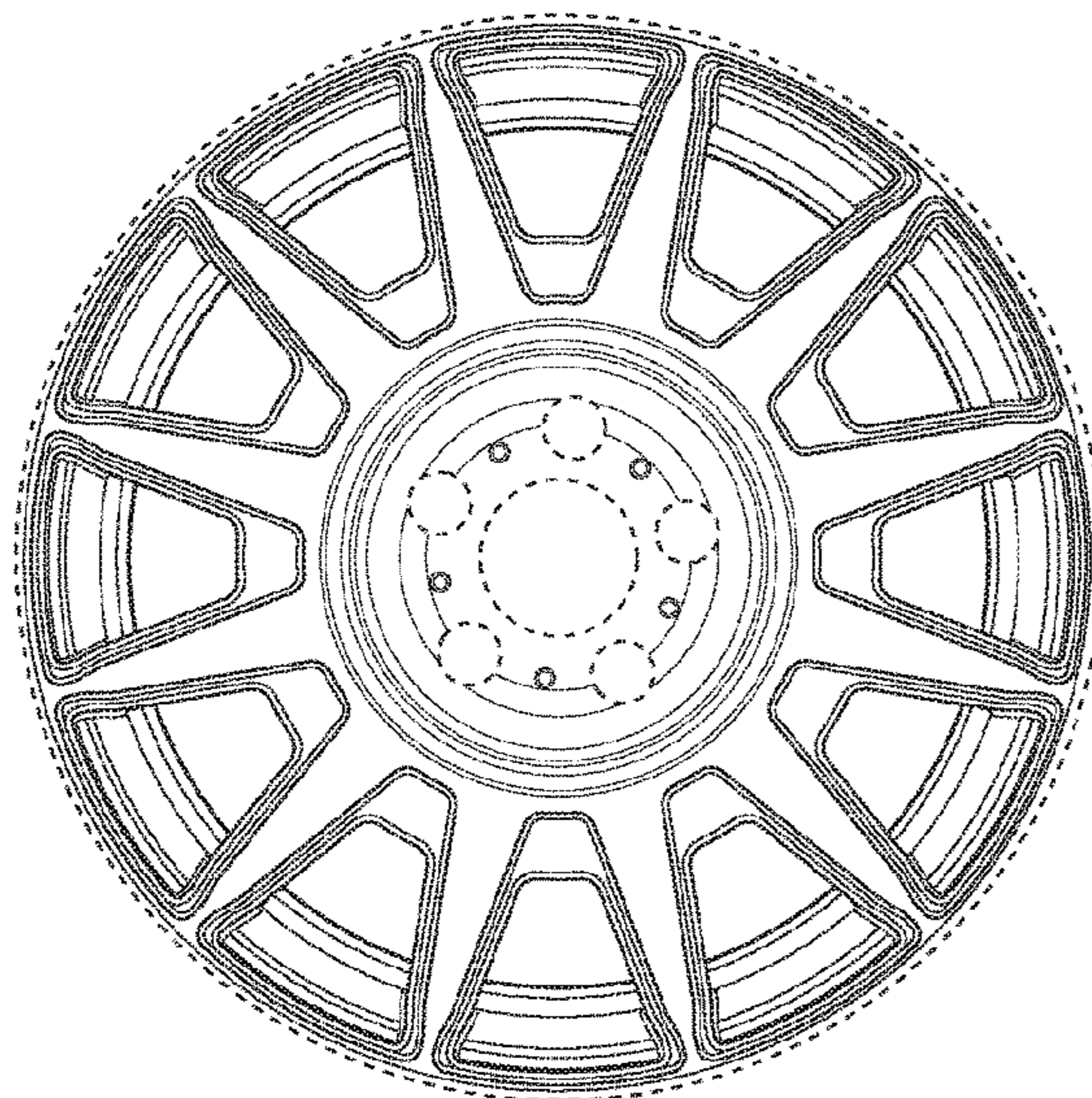
(57) **CLAIM**

I claim the ornamental design for a wheel rim, as shown and described.

**DESCRIPTION**

FIG. 1 is a front elevation view of a wheel rim of the new design; and, FIG. 2 is a top, front, right side perspective view thereof. The broken lines depicting portions of the wheel rim form no part of the claim.

**1 Claim, 2 Drawing Sheets**



(56)

References Cited

U.S. PATENT DOCUMENTS

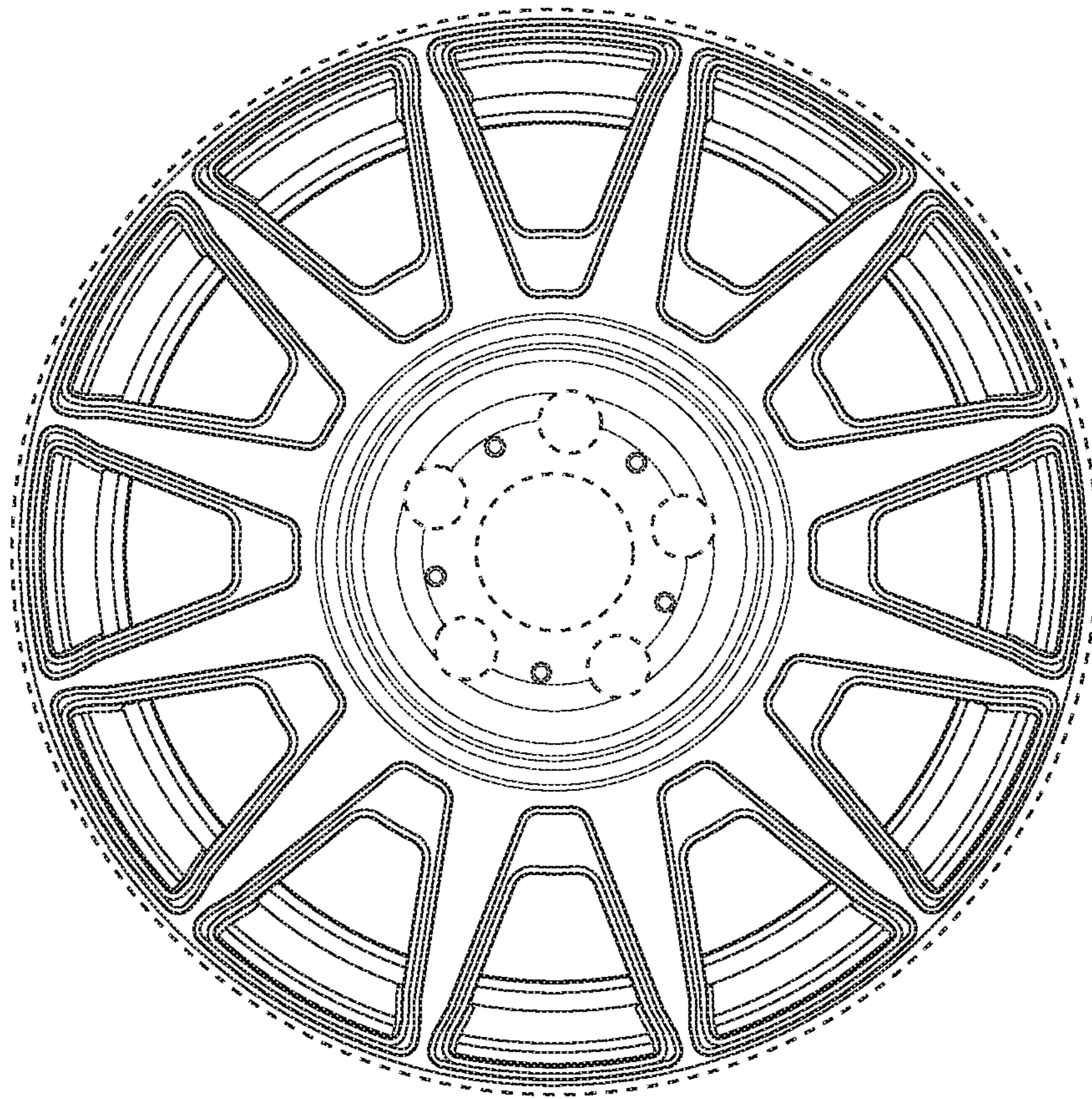
D531,559 S \* 11/2006 Schuster ..... D12/209  
 D534,473 S 1/2007 Bernoni  
 D538,215 S 3/2007 Laengerer  
 D542,210 S 5/2007 Plumer  
 D543,922 S 6/2007 Young  
 D555,065 S 11/2007 Hernandez  
 D573,523 S \* 7/2008 McMath ..... D12/211  
 D587,179 S 2/2009 Pfeiffer  
 D595,202 S \* 6/2009 Spoerle ..... D12/211  
 D608,711 S 1/2010 Jeurgens et al.  
 D609,624 S 2/2010 Matsubara  
 D617,710 S 6/2010 Ectors et al.  
 D619,070 S 7/2010 Pollmann  
 D620,425 S \* 7/2010 Zhao ..... D12/211  
 D620,862 S 8/2010 Pollmann  
 D623,110 S 9/2010 Juergens et al.  
 D625,244 S \* 10/2010 Zhao ..... D12/211  
 D628,948 S 12/2010 Chung  
 D629,347 S 12/2010 Kim  
 D632,239 S 2/2011 Gallert  
 D639,222 S 6/2011 Johnson  
 D644,587 S 9/2011 Gotschke  
 D658,562 S \* 5/2012 Junghanns ..... D12/211  
 D659,063 S 5/2012 Johnson  
 D660,220 S 5/2012 Chan  
 D666,546 S 9/2012 Juergens et al.  
 D667,355 S 9/2012 Gotschke  
 D678,155 S \* 3/2013 Gotschke ..... D12/209  
 D682,180 S 5/2013 Zhao  
 D684,915 S \* 6/2013 Zhao ..... D12/211  
 D688,190 S 8/2013 Hodges  
 D691,542 S 10/2013 Chan  
 D695,183 S 12/2013 Chung  
 D696,616 S 12/2013 Gueler et al.  
 D697,015 S 1/2014 Nemeth  
 D702,173 S 4/2014 Perini  
 D706,196 S 6/2014 Lee  
 D712,332 S \* 9/2014 Seidenberg ..... D12/211  
 D715,722 S 10/2014 Johnson  
 D717,224 S 11/2014 Kim  
 D717,711 S 11/2014 Kern  
 D720,271 S 12/2014 Mielke et al.  
 D721,318 S 1/2015 Kim  
 D722,002 S \* 2/2015 Stolz ..... D12/211  
 D722,937 S 2/2015 Johnson  
 D724,515 S 3/2015 Chung  
 D726,089 S 4/2015 Hodges  
 D726,090 S 4/2015 Hilpert  
 D727,233 S \* 4/2015 Kong ..... D12/209  
 D739,329 S 9/2015 Watkin  
 D744,399 S 12/2015 Juergens et al.  
 D744,929 S \* 12/2015 Zhao ..... D12/211  
 D744,931 S 12/2015 Curic et al.  
 D749,486 S 2/2016 Huang  
 D751,017 S 3/2016 Chung  
 D751,481 S 3/2016 Chung  
 D751,487 S \* 3/2016 Harriton ..... D12/211  
 D751,966 S 3/2016 Zhao  
 D754,049 S 4/2016 Valencia  
 D756,877 S 5/2016 Huang  
 D764,998 S \* 8/2016 Woodhouse ..... D12/204  
 D772,133 S 11/2016 Stone et al.  
 D775,047 S 12/2016 Wheel  
 D777,073 S \* 1/2017 Chung ..... D12/211  
 D782,951 S 4/2017 Bjerke  
 D786,768 S 5/2017 Yousswef  
 D788,008 S \* 5/2017 Zhao ..... D12/211  
 D788,009 S \* 5/2017 Zhao ..... D12/211  
 D789,269 S 6/2017 Krause

D791,035 S 7/2017 Palana  
 D795,150 S \* 8/2017 Tran ..... D12/209  
 D796,409 S \* 9/2017 Zhao ..... D12/211  
 D799,398 S 10/2017 Liffick  
 D800,628 S 10/2017 Tran  
 D803,129 S 11/2017 McMath  
 D803,133 S 11/2017 Bucher et al.  
 D806,630 S 1/2018 McMath  
 D808,325 S 1/2018 Chung  
 D809,447 S \* 2/2018 Wolff ..... D12/211  
 D813,137 S 3/2018 Sempek  
 D813,780 S 3/2018 Sempek  
 D815,005 S 4/2018 Cloke  
 D817,840 S 5/2018 Chung  
 D817,844 S 5/2018 Hale, Jr.  
 D820,185 S \* 6/2018 Mielke ..... D12/211  
 D824,834 S 8/2018 Licklitter  
 D824,835 S \* 8/2018 Ferrett ..... D12/211  
 D828,271 S 9/2018 Han  
 D830,275 S \* 10/2018 Aslam ..... D12/211  
 D834,487 S 11/2018 Han  
 D838,646 S \* 1/2019 Harriton ..... D12/209  
 D845,860 S 4/2019 Kulla et al.  
 D858,405 S 9/2019 Marmine et al.  
 D860,908 S 9/2019 Han  
 D866,435 S \* 11/2019 Interrante ..... D12/209  
 D877,017 S \* 3/2020 Baum ..... D12/209  
 D878,992 S 3/2020 Yeh  
 D879,006 S 3/2020 Metros et al.  
 D892,018 S 8/2020 Han  
 D892,021 S \* 8/2020 Sahara ..... D12/211  
 D892,705 S \* 8/2020 Wittinger ..... D12/211  
 D897,921 S \* 10/2020 Kafantaris ..... D12/209  
 D904,271 S \* 12/2020 Henderson ..... D12/209  
 D908,069 S 1/2021 Lee  
 D915,992 S \* 4/2021 VanRyn ..... D12/211  
 D923,547 S \* 6/2021 Hans ..... D12/211  
 D926,657 S \* 8/2021 Kato ..... D12/211  
 D926,658 S \* 8/2021 Licklitter ..... D12/211  
 D927,392 S \* 8/2021 Xia ..... D12/209  
 D928,059 S \* 8/2021 Han ..... D12/209  
 D929,289 S \* 8/2021 Chartier ..... D12/209

OTHER PUBLICATIONS

Raceline Wheels, Go Everywhere, Catalog, Oct. 16, 2015, Allied Wheel Components Inc., vol. 24, 28 pages.  
 Raceline Wheels, Go Everywhere, Catalog, Feb. 21, 2017, Allied Wheel Components Inc., vol. 22, 9 pages.  
 Raceline Wheels, Go Everywhere, Catalog, Feb. 21, 2017, Allied Wheel Components Inc., vol. 23, 16 pages.  
 Raceline Wheels, Go Everywhere, Catalog, Feb. 23, 2017, Allied Wheel Components Inc., vol. 28, 20 pages.  
 Raceline Wheels, Go Everywhere, Catalog, Mar. 24, 2016, Allied Wheel Components Inc., vol. 26, 28 pages.  
 Raceline Wheels, Go Everywhere, Catalog, Oct. 24, 2016, Allied Wheel Components Inc., vol. 27, 20 pages.  
 Raceline Wheels, Go Everywhere, Catalog, Oct. 25, 2017, Allied Wheel Components Inc., vol. 30, 20 pages.  
 Raceline Wheels, Go Everywhere, Catalog, Jan. 26, 2016, Allied Wheel Components Inc., vol. 25, 28 pages.  
 Raceline Wheels, Go Everywhere, Catalog, Feb. 27, 2018, Allied Wheel Components Inc., vol. 31, 24 pages.  
 Raceline Wheels, Go Everywhere, Catalog, Allied Wheel Components Inc., vol. 22, 16 pages.  
 Raceline Wheels, Go Everywhere, Catalog, Allied Wheel Components Inc., vol. 26, 13 pages.  
 Office Action, U.S. Appl. No. 29/719,784, dated May 19, 2021.

\* cited by examiner



*FIG. 1*

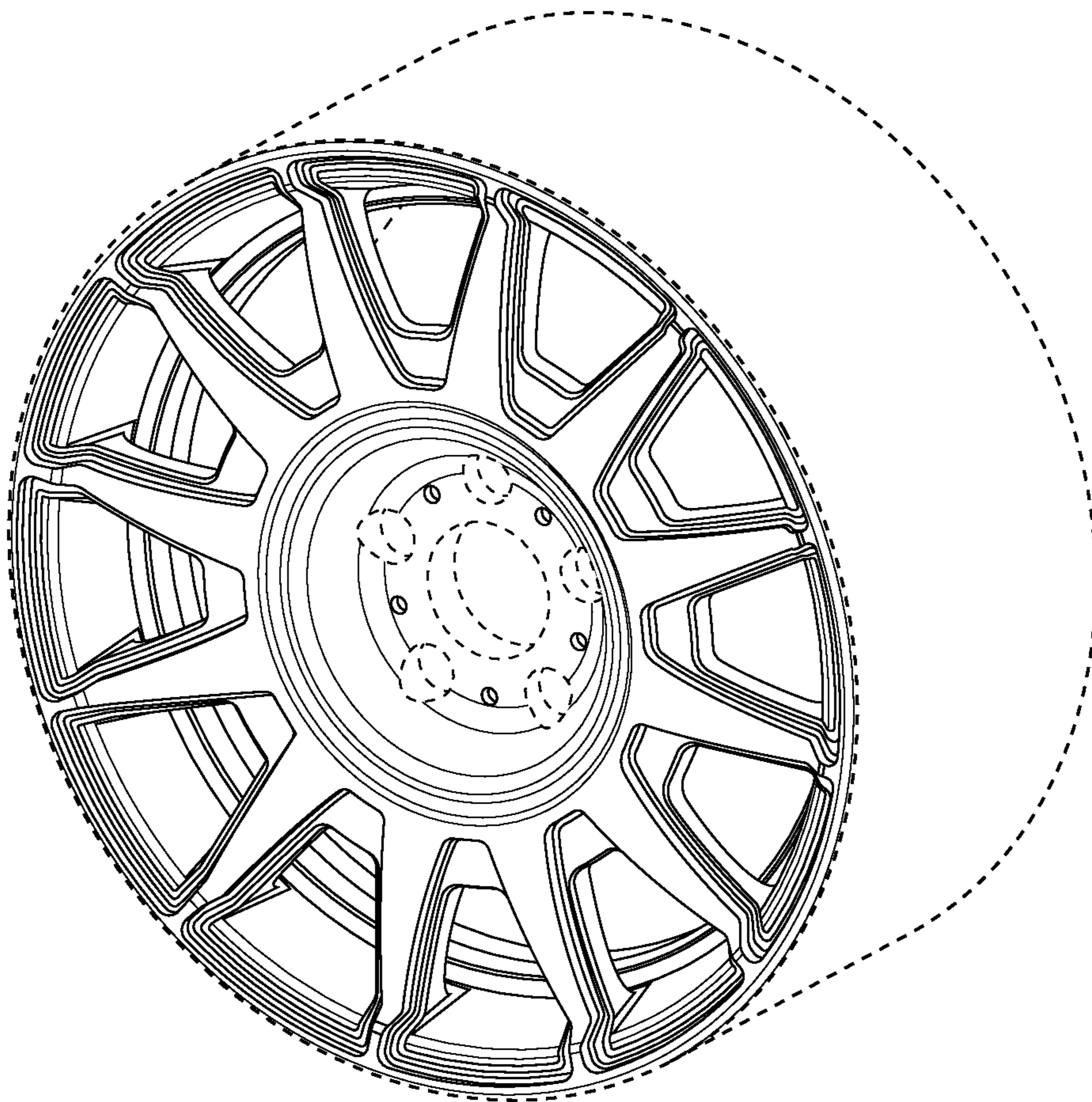


FIG. 2