



US00D945340S

(12) **United States Design Patent** (10) **Patent No.:** **US D945,340 S**
Lim et al. (45) **Date of Patent:** **** Mar. 8, 2022**

(54) **REAR DOOR PANEL FOR AN AUTOMOBILE**

(56) **References Cited**

(71) Applicants: **Kia Motors Corporation**, Seoul (KR);
Hyundai Motor Company, Seoul (KR)

U.S. PATENT DOCUMENTS

(72) Inventors: **Hwa Su Lim**, Incheon (KR); **Seung Wook Ryu**, Seoul (KR)

D489,305 S	*	5/2004	Kim	D12/196
D558,112 S	*	12/2007	Leclercq	D12/196
D580,331 S	*	11/2008	Gueler	D12/196
D671,471 S	*	11/2012	Yamada	D12/196
D779,407 S	*	2/2017	Bae	D12/196
D875,011 S	*	2/2020	Choi	D12/196
D890,058 S	*	7/2020	Lim	D12/196
D915,972 S	*	4/2021	Kim	D12/196

(73) Assignees: **Kia Motors Corporation**, Seoul (KR);
Hyundai Motor Company, Seoul (KR)

(**) Term: **15 Years**

* cited by examiner

(21) Appl. No.: **35/510,780**

Primary Examiner — George D. Kirschbaum

(22) Filed: **May 14, 2020**

(74) *Attorney, Agent, or Firm* — Mintz Levin Cohn Ferris
Glovsky and Popeo, P.C.; Peter F. Coriess

(80) **Hague Agreement Data**

Int. Filing Date: **May 14, 2020**
Int. Reg. No.: **DM/208455**
Int. Reg. Date: **May 14, 2020**
Int. Reg. Pub. Date: **Nov. 20, 2020**

(57) **CLAIM**

The ornamental design for a rear door panel for an automo-
bile, as shown and described.

(30) **Foreign Application Priority Data**

Jan. 2, 2020 (KR) 30-2020-0000062

(51) **LOC (13) Cl.** **12-16**

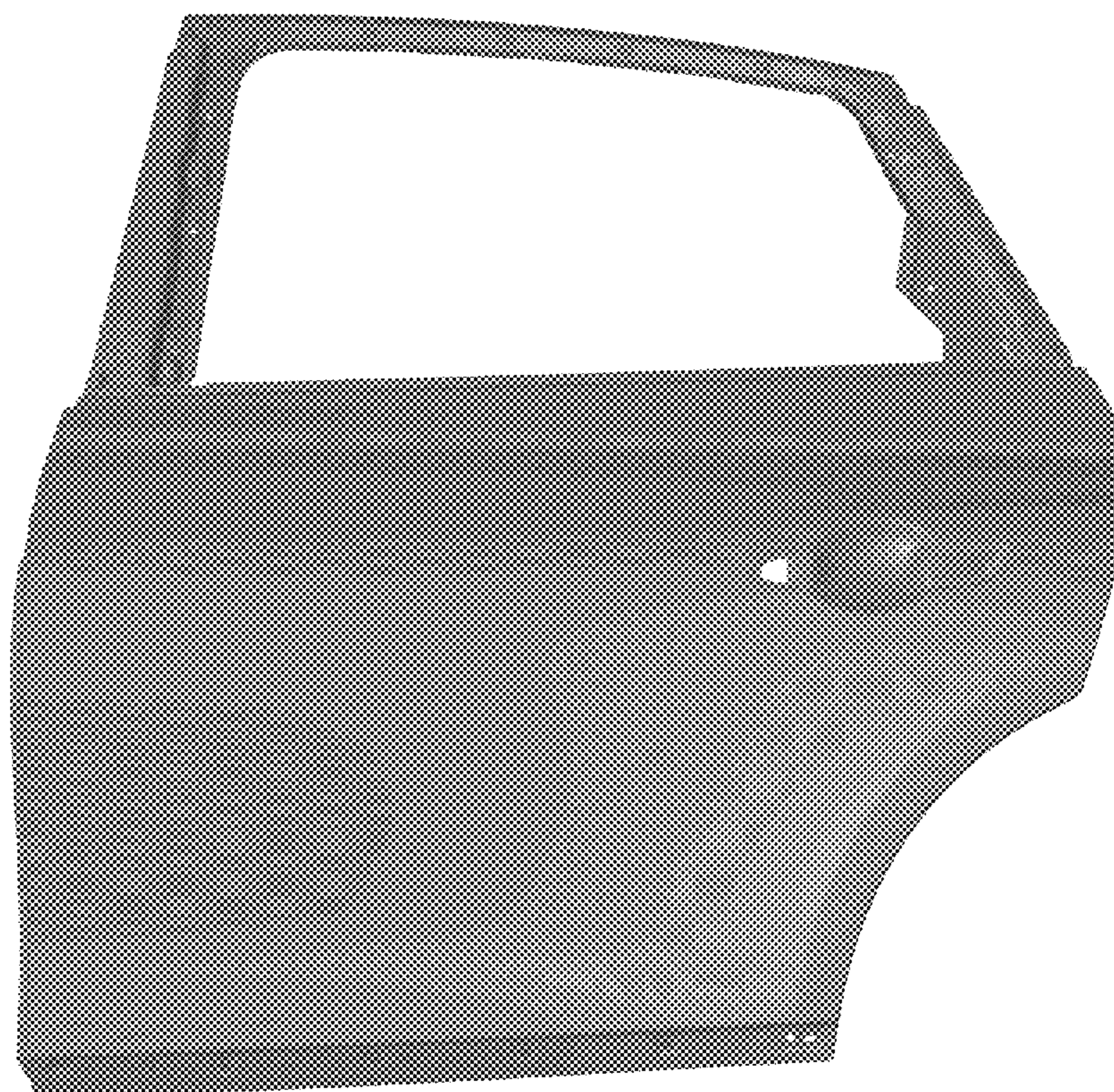
(52) **U.S. Cl.**
USPC **D12/196**

(58) **Field of Classification Search**
USPC D12/196
See application file for complete search history.

DESCRIPTION

- 1. Rear door panel for an automobile
- 1.1 : Perspective
- 1.2 : Front
- 1.3 : Back
- 1.4 : Left
- 1.5 : Right
- 1.6 : Top
- 1.7 : Bottom

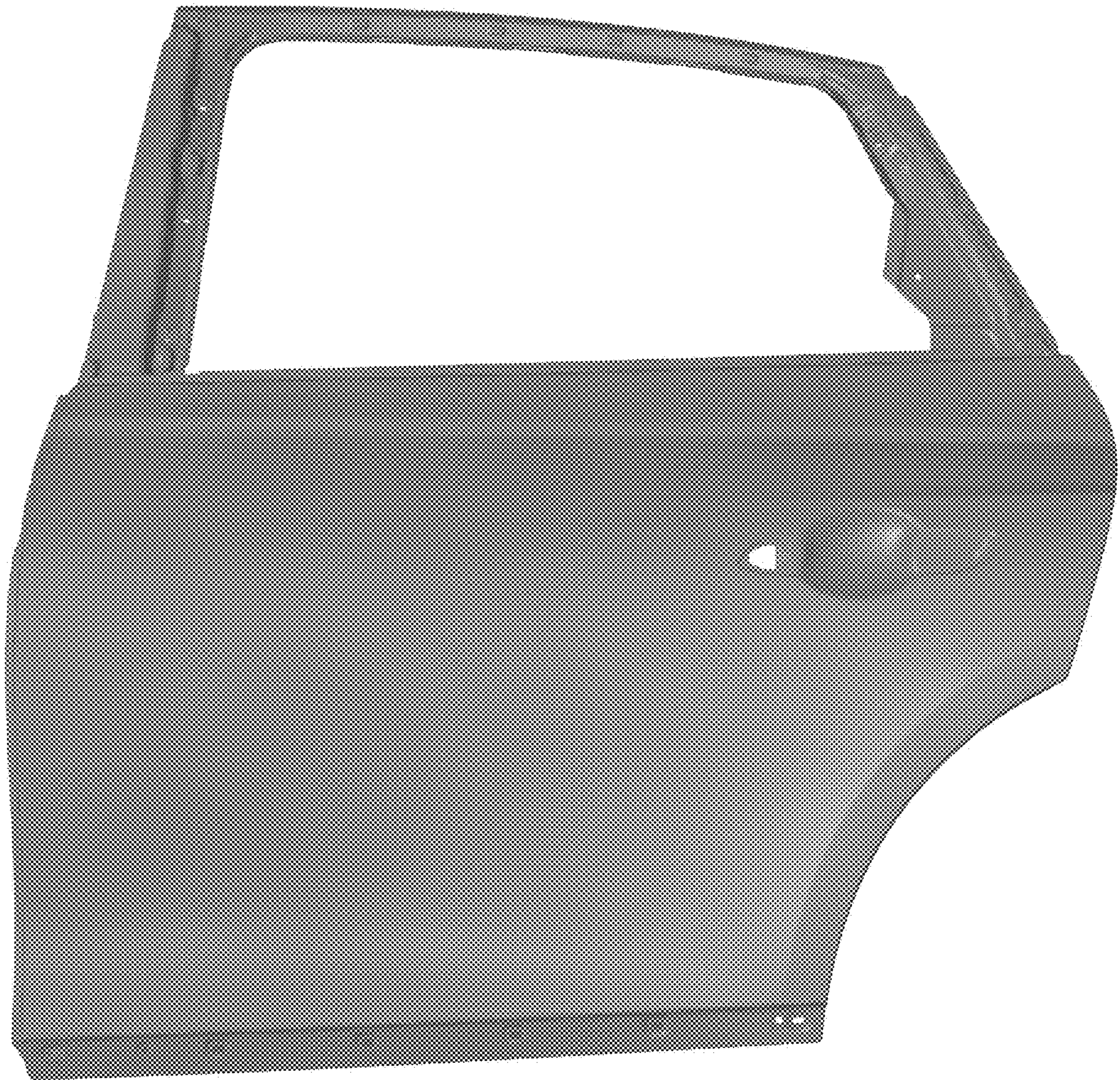
1 Claim, 7 Drawing Sheets



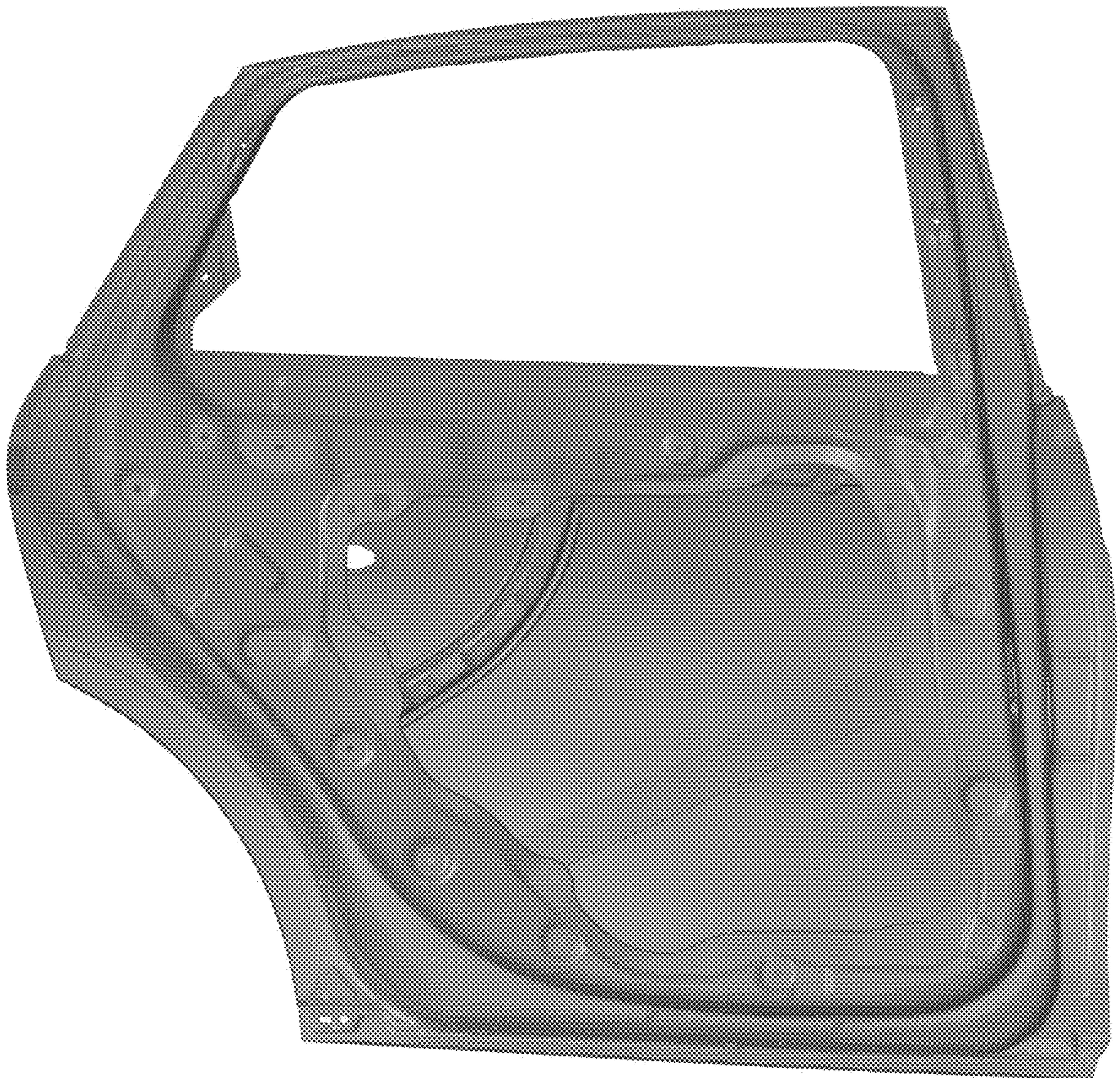
1.1



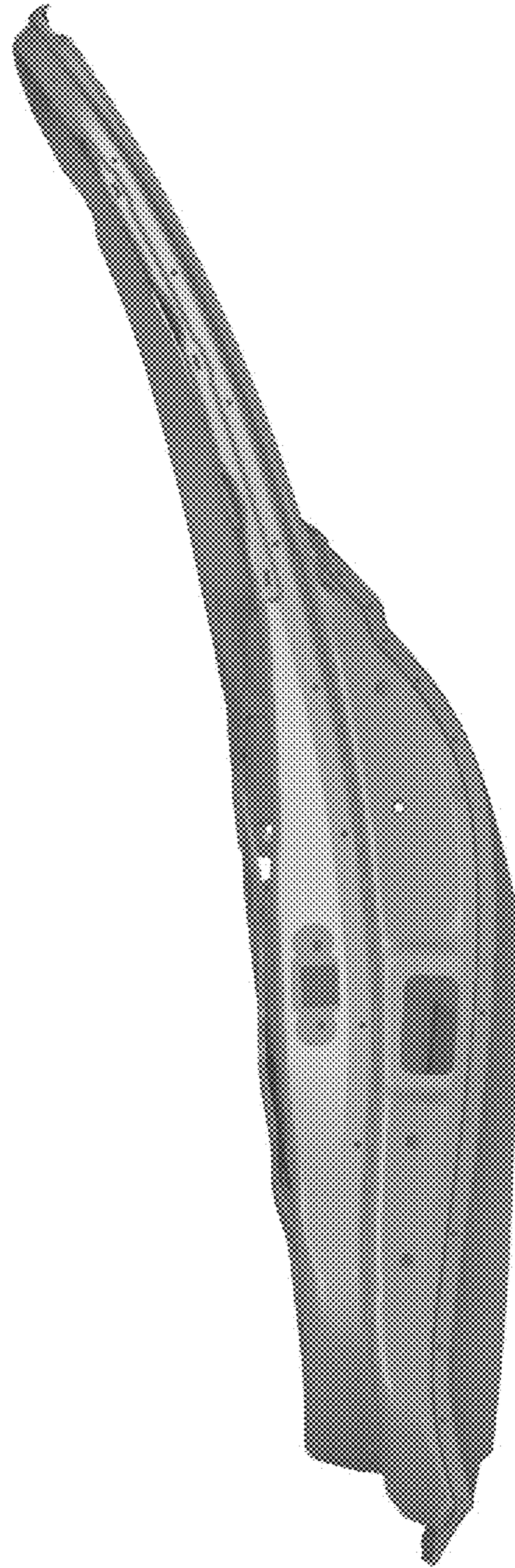
1.2



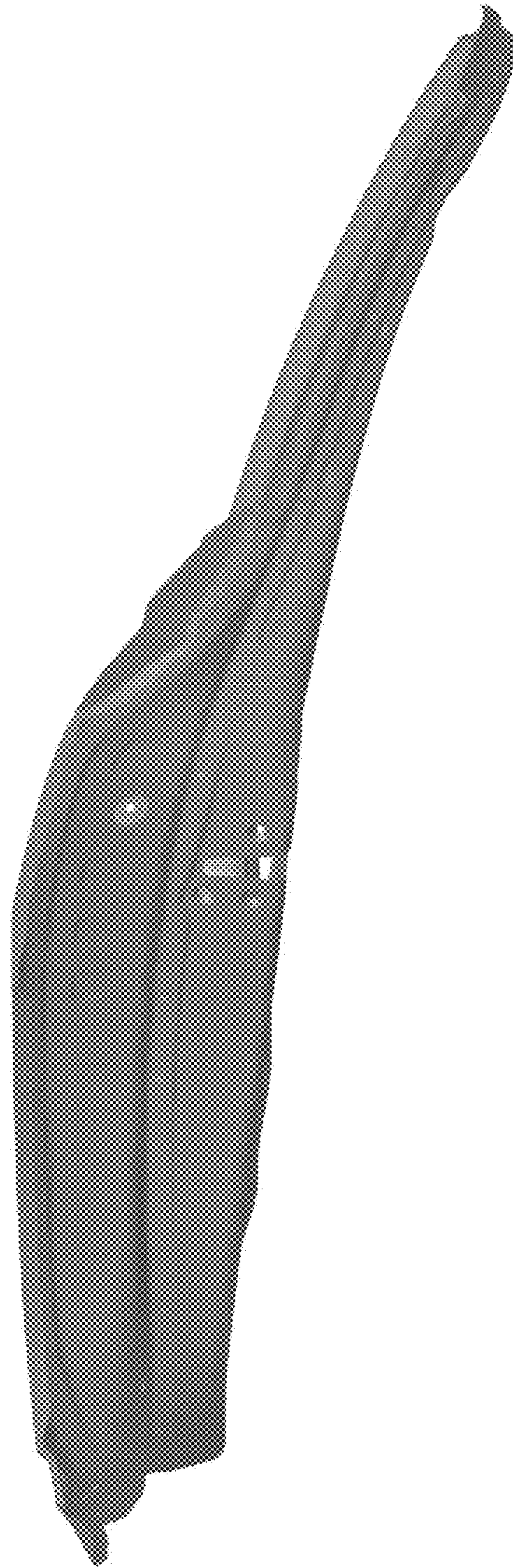
1.3



1.4



1.5



1.6



1.7

