



US00D945338S

(12) **United States Design Patent**
DiCanzio

(10) **Patent No.:** **US D945,338 S**

(45) **Date of Patent:** **** Mar. 8, 2022**

(54) **REAR DIFFUSER FOR AN AUTOMOBILE**

(71) Applicant: **Turn 5, Inc.**, Paoli, PA (US)

(72) Inventor: **Michael DiCanzio**, West Chester, PA (US)

(73) Assignee: **TURN 5, INC.**, Paoli, PA (US)

(**) Term: **15 Years**

(21) Appl. No.: **29/697,788**

(22) Filed: **Jul. 11, 2019**

(51) **LOC (13) Cl.** **12-16**

(52) **U.S. Cl.**
USPC **D12/196**

(58) **Field of Classification Search**
USPC D12/86, 90, 91, 92, 93, 163, 164, 166,
D12/167, 169, 171, 172, 173, 190, 196,
D12/216; D3/318

CPC B62D 25/00; B62D 25/06; B62D 25/08;
B62D 35/00; B62B 9/16; B60K 11/08;
B60R 19/02; B60R 19/04; B60R 19/52

See application file for complete search history.

(56) **References Cited**

U.S. PATENT DOCUMENTS

D814,984 S *	4/2018	Wymore	D12/169
D832,161 S *	10/2018	Kobayashi	D12/171
D845,844 S *	4/2019	Langhals	D12/169
D845,845 S *	4/2019	Goodrich	D12/169
D845,846 S *	4/2019	Goodrich	D12/169
D845,847 S *	4/2019	Piscitelli	D12/169
D846,459 S *	4/2019	Langhals	D12/169
D846,460 S *	4/2019	Goodrich	D12/169
D846,461 S *	4/2019	Piscitelli	D12/169
D846,462 S *	4/2019	DiCanzio	D12/171
D847,043 S *	4/2019	Kozub	D12/169
D847,703 S *	5/2019	Kozub	D12/169

D859,239 S *	9/2019	Sullivan	D12/169
D860,079 S *	9/2019	Sullivan	D12/169
D870,615 S *	12/2019	Wood	D12/171
10,926,815 B2 *	2/2021	Salter	B60R 13/04

OTHER PUBLICATIONS

Diffusers. (Design—© Questel) orbit.com. [Online PDF compilation of references selected by examiner] 8 pgs. Print Dates Range Aug. 23, 2019-Feb. 29, 2017 [Retrieved Jun. 8, 2021].*
“MP Concepts GT350 Style Rear Bumper and Diffuser Kit; Unpainted.” Before Nov. 7, 2017. American Muscle, https://www.americanmuscle.com/mpconcepts-gt350-rear-bumper-kit-1517.html#customer_reviews.*

(Continued)

Primary Examiner — Manpreet S Matharu

Assistant Examiner — Suzanne E Tisdell

(74) *Attorney, Agent, or Firm* — Troutman Pepper Hamilton Sanders LLP

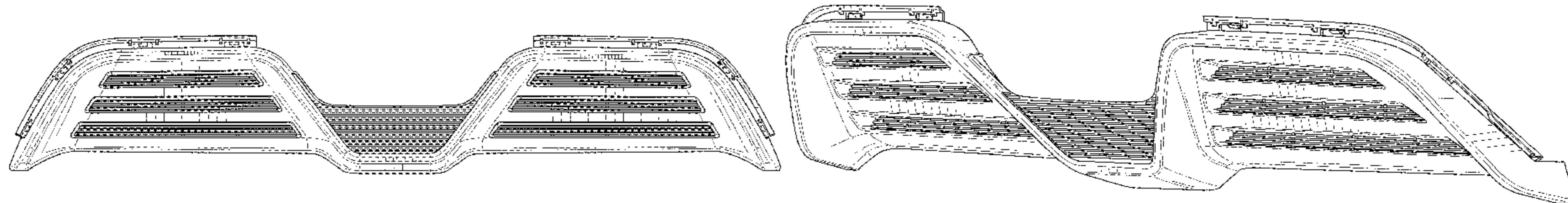
(57) **CLAIM**

I claim the ornamental design for a rear diffuser for an automobile, as shown and described.

DESCRIPTION

FIG. 1 is a front elevation view of the rear diffuser for an automobile of the present invention;
FIG. 2 is a rear view thereof;
FIG. 3 is a top view thereof;
FIG. 4 is a bottom view thereof;
FIG. 5 is a left side view thereof;
FIG. 6 is a right side view thereof;
FIG. 7 is a perspective view thereof;
FIG. 8 is another perspective view thereof; and,
FIG. 9 is another perspective view thereof.
Broken lines in the drawings depict portions of the rear diffuser for an automobile that form no part of the claimed design.

1 Claim, 8 Drawing Sheets



(56)

References Cited

OTHER PUBLICATIONS

“How To: INstall GT350 Quad Tip Exhaust Kit.” Jan. 21, 2016. LMR. <https://lmr.com/products/install-gt350-quad-tip-exhaust-mustang-15-16>.*

“2015-2017 Mustang GT, Eco Boost Premium MP Concepts GT350 Style Rear Diffuser Review & Install.” Feb. 28, 2018. Youtube. <https://www.youtube.com/watch?v=S0h36huVMVM>.*

* cited by examiner

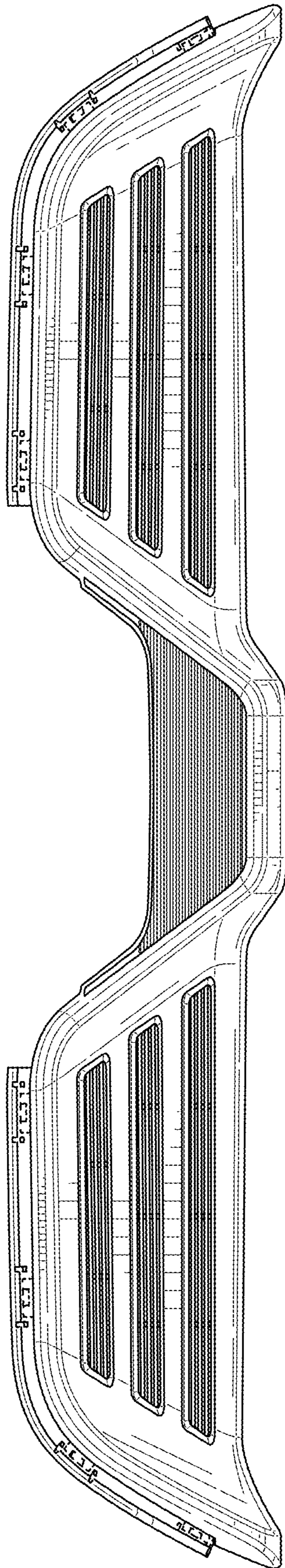


FIG. 1

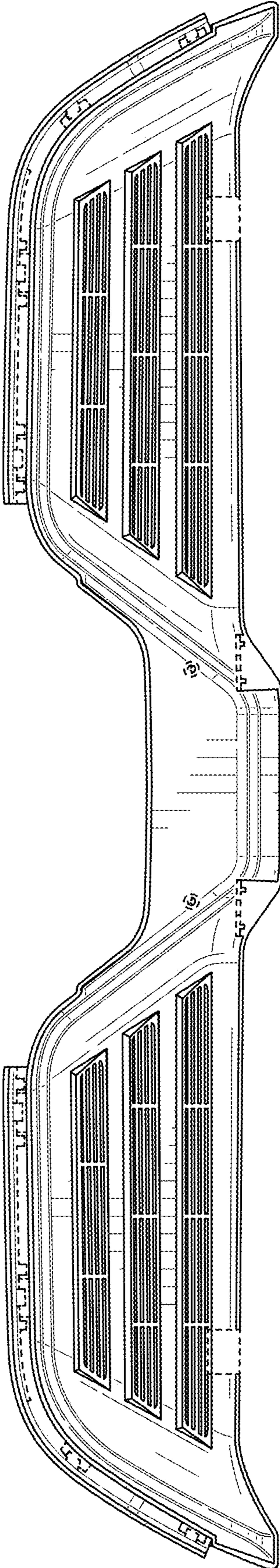


FIG. 2

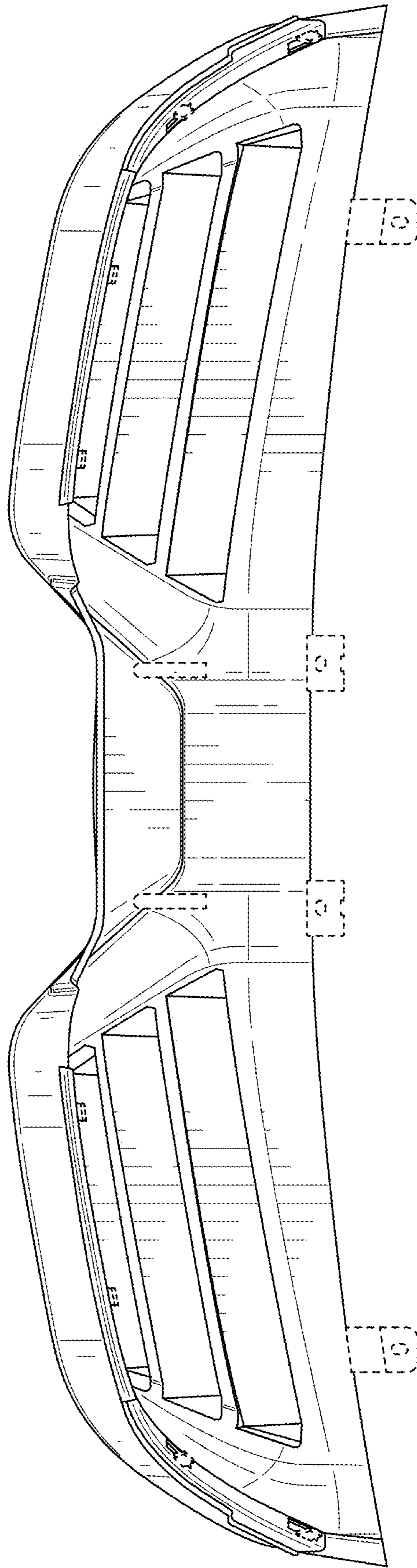


FIG. 3

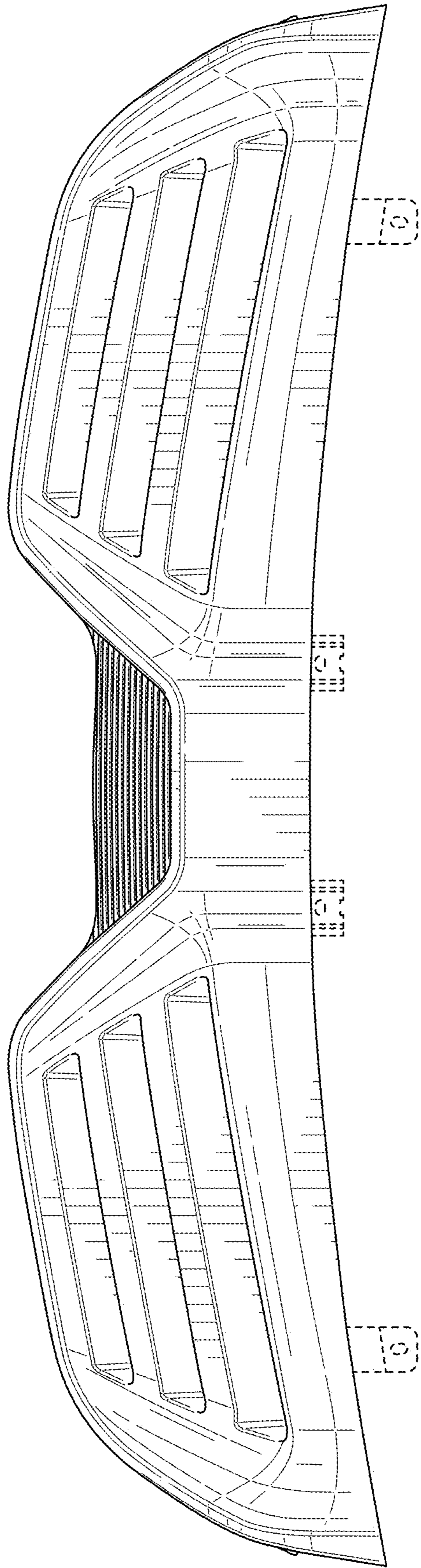


FIG. 4

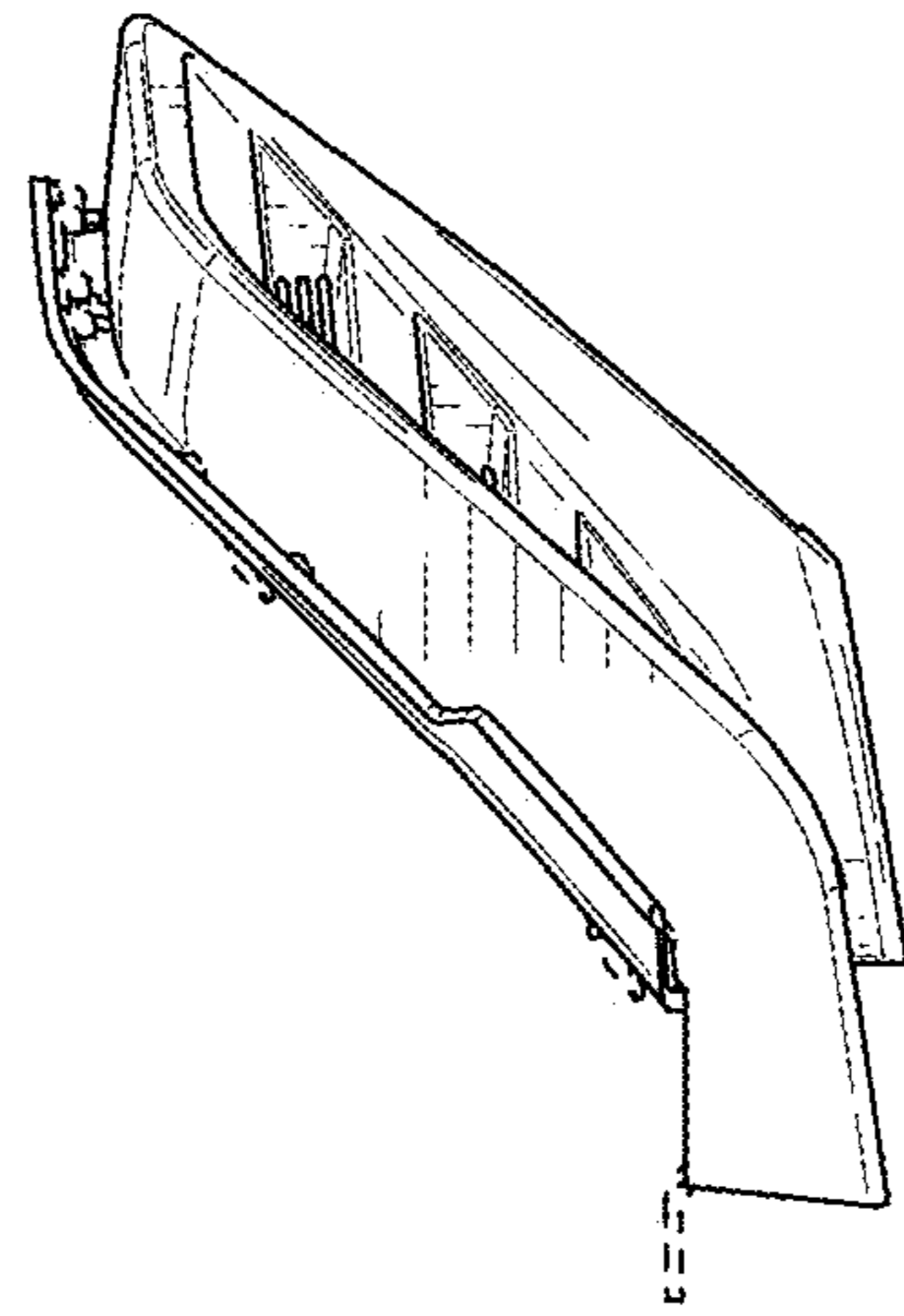


FIG. 6

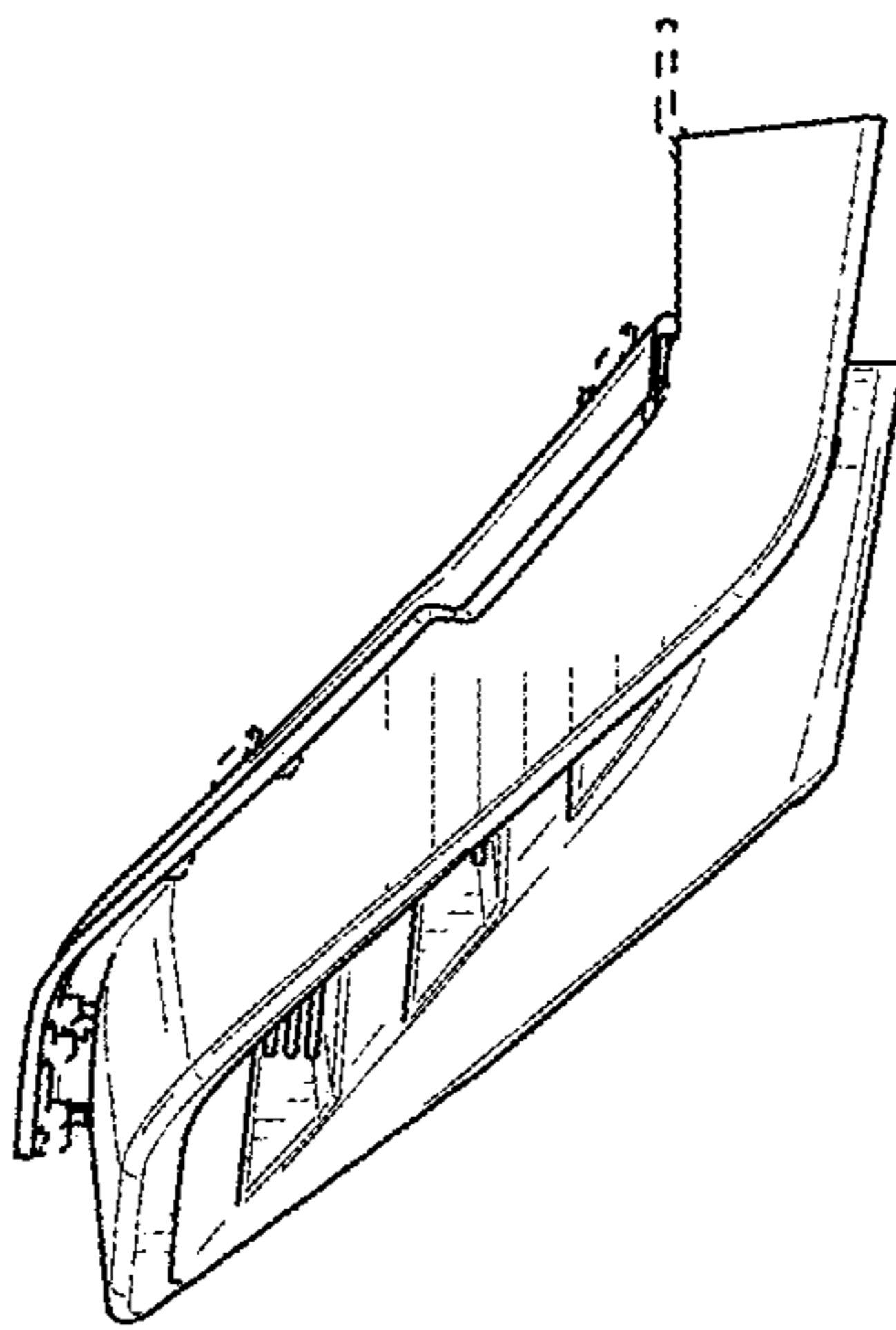


FIG. 5

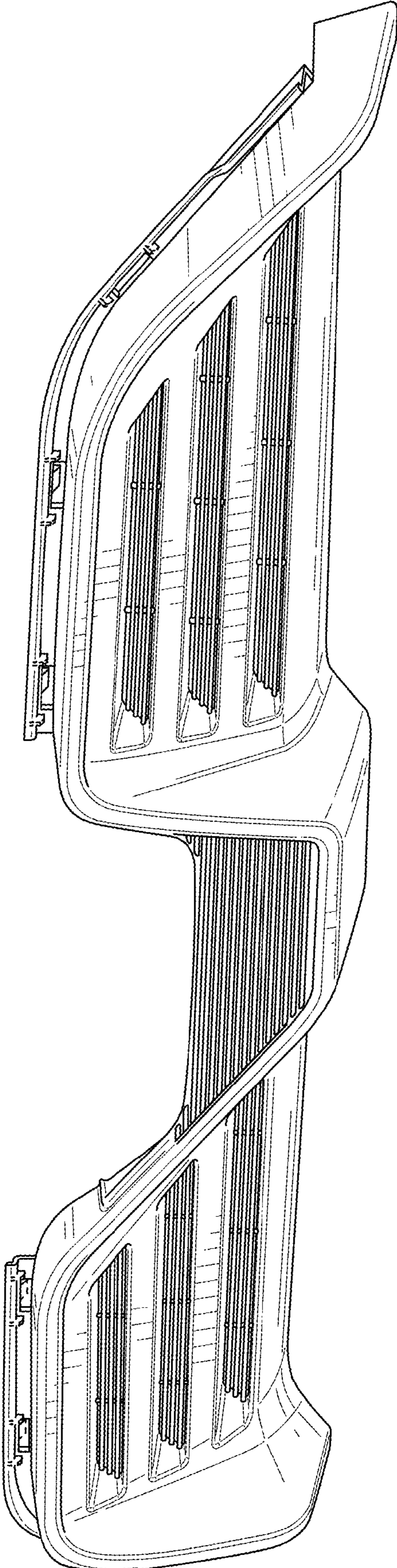


FIG. 7

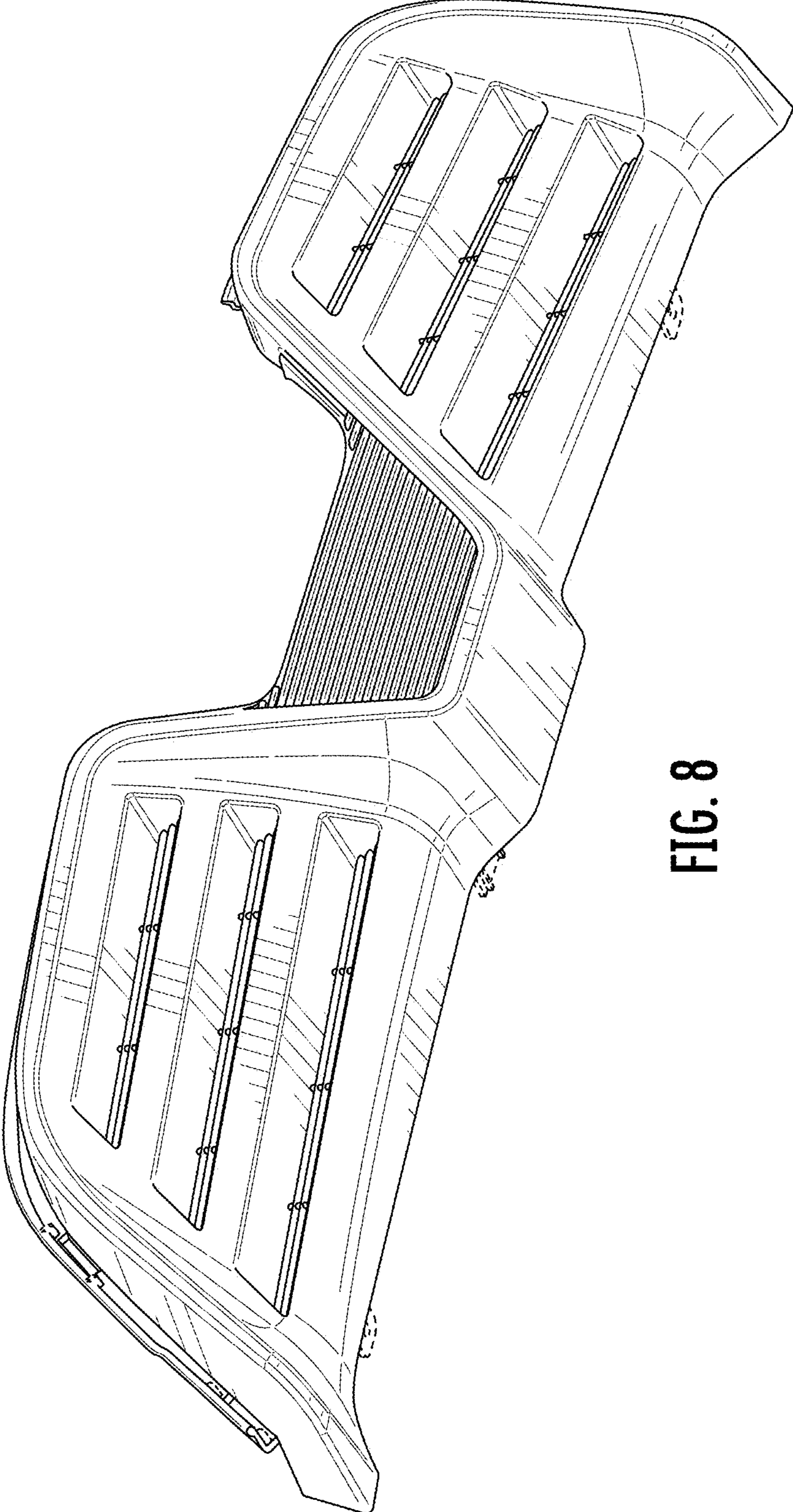


FIG. 8

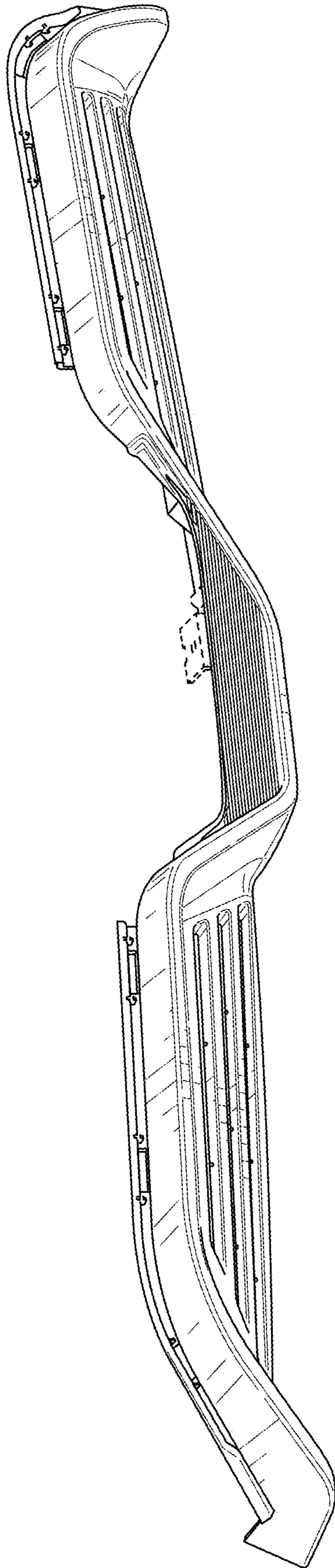


FIG. 9