



US00D945337S

(12) **United States Design Patent**  
**Wang**

(10) **Patent No.:** **US D945,337 S**

(45) **Date of Patent:** **\*\* Mar. 8, 2022**

(54) **VEHICLE LIGHTED SIDE MIRROR**

(71) Applicant: **Guangzhou Zaozhongwan E-Commerce Co., Ltd.**, Guangzhou (CN)

(72) Inventor: **Min Wang**, Guangzhou (CN)

(\*\*) Term: **15 Years**

(21) Appl. No.: **29/767,805**

(22) Filed: **Jan. 26, 2021**

(51) **LOC (13) Cl.** ..... **12-17**

(52) **U.S. Cl.**  
USPC ..... **D12/187**

(58) **Field of Classification Search**  
USPC ..... D12/187, 400, 188, 189; D6/300, 309  
CPC ..... B60R 1/076; G02B 7/182; G02B 5/08;  
G02B 7/18  
See application file for complete search history.

(56) **References Cited**

**U.S. PATENT DOCUMENTS**

D509,465 S	*	9/2005	Metros	.....	D12/187
D670,629 S		11/2012	Merriman		
D763,756 S		8/2016	Enz		
D793,310 S	*	8/2017	Hwang	.....	D12/187
D855,524 S	*	8/2019	Lee	.....	D12/187
D865,600 S	*	11/2019	Goodrich	.....	D12/187
D878,263 S	*	3/2020	Melikian	.....	D12/187

D880,385 S	*	4/2020	Gillam	.....	D12/187
D886,015 S	*	6/2020	Kim	.....	D12/187
D913,881 S	*	3/2021	Hilliard	.....	D12/187
D926,095 S	*	7/2021	Streicher	.....	D12/187
D932,403 S	*	10/2021	Jenkins	.....	D12/187
D936,543 S	*	11/2021	Wraith	.....	D12/187
D936,544 S	*	11/2021	Wang	.....	D12/187
D937,162 S	*	11/2021	Wang	.....	D12/187

\* cited by examiner

*Primary Examiner* — Katrina A Betton

(57) **CLAIM**

The ornamental design for a vehicle lighted side mirror, as shown and described.

**DESCRIPTION**

FIG. 1 is a perspective photographic view of a vehicle lighted side mirror, showing my new design; FIG. 2 is a front photographic view thereof; FIG. 3 is a rear photographic view thereof; FIG. 4 is a left side photographic view thereof; FIG. 5 is a right side photographic view thereof; FIG. 6 is a top plan photographic view thereof; FIG. 7 is a bottom plan photographic view thereof; FIG. 8 is another perspective photographic view thereof, viewed from a different direction for clarity of illustration; FIG. 9 is another perspective photographic view thereof, viewed from a different direction for clarity of illustration; and, FIG. 10 is another perspective photographic view thereof, viewed from a different direction for clarity of illustration.

**1 Claim, 10 Drawing Sheets**





FIG. 1



FIG. 2



FIG. 3

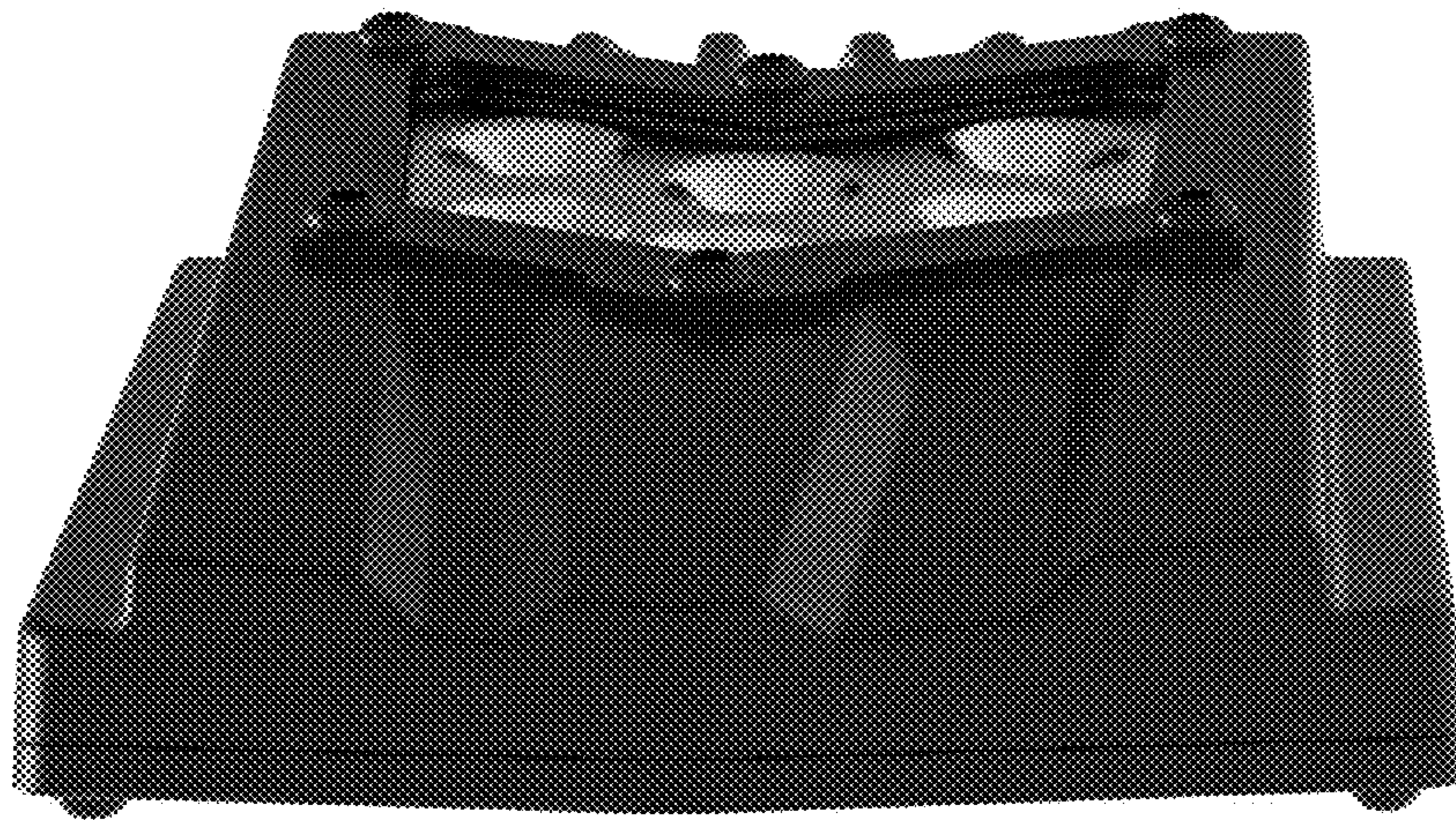


FIG. 4

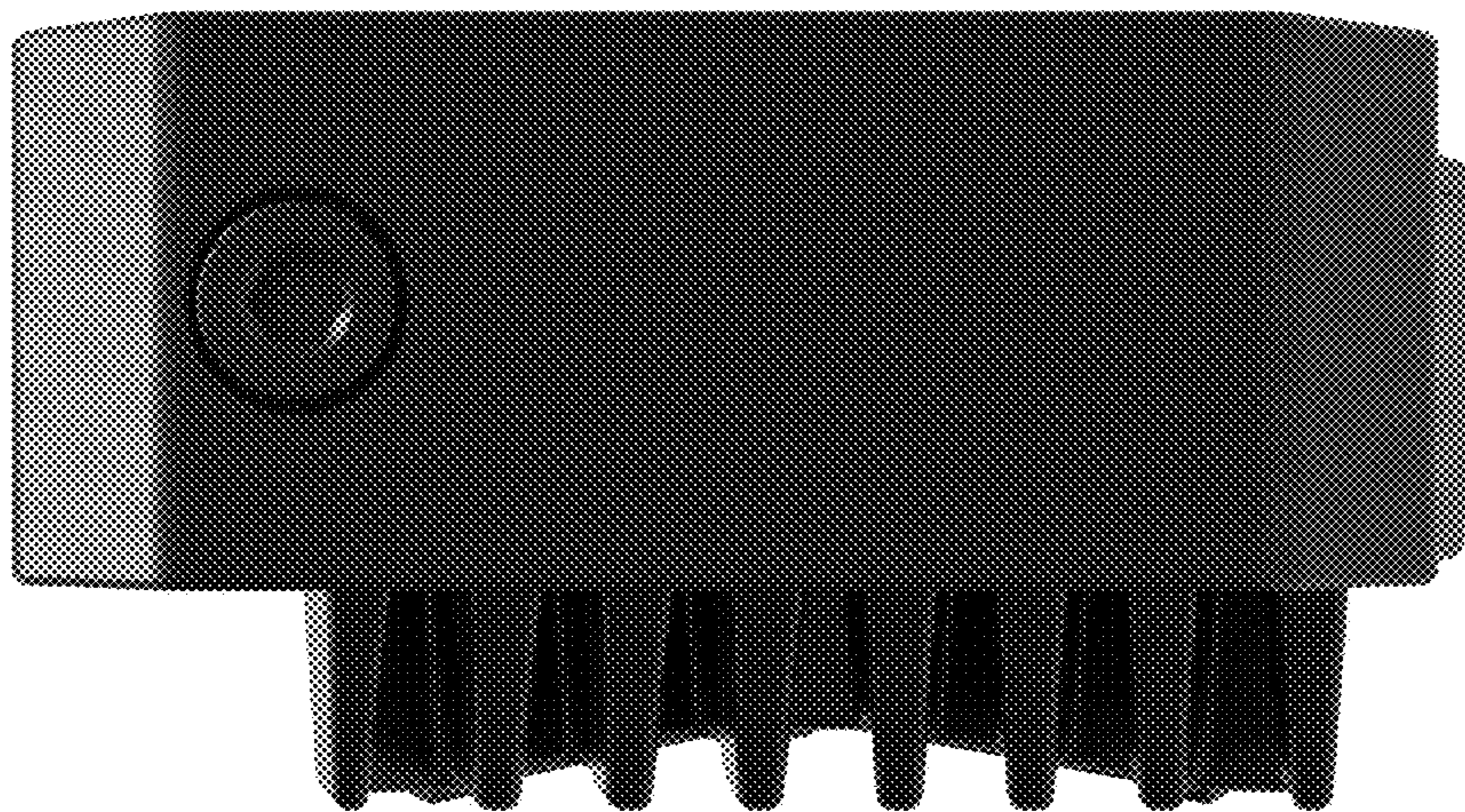


FIG. 5

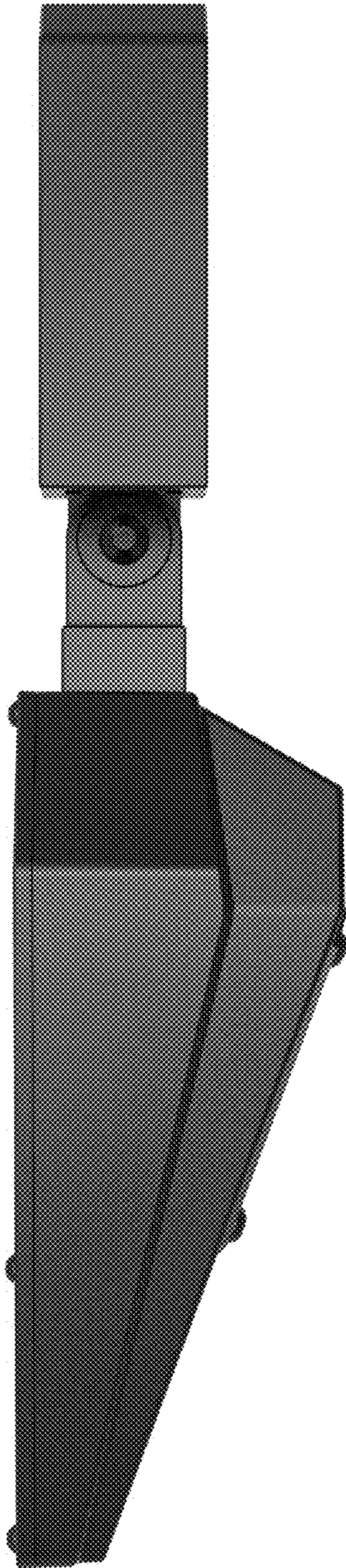


FIG. 6

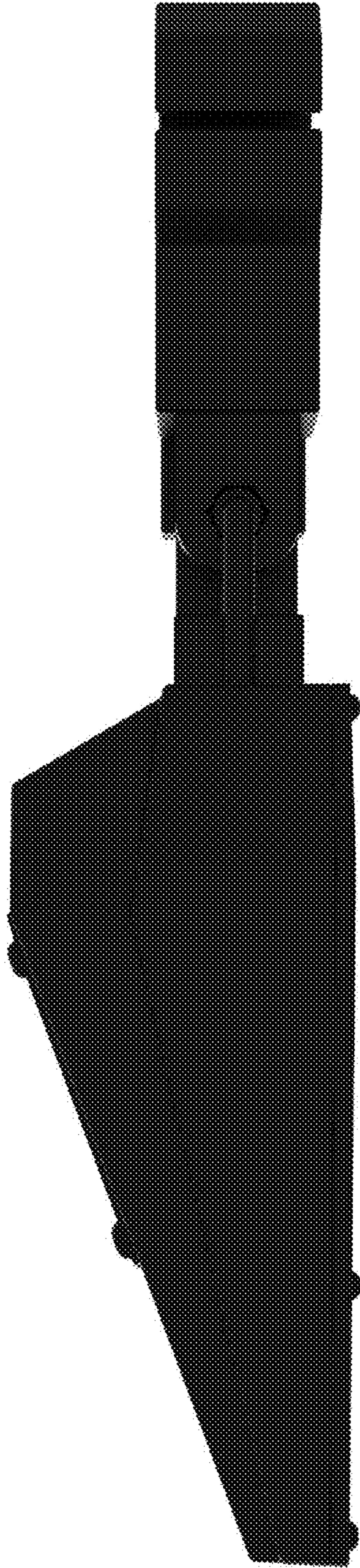


FIG. 7



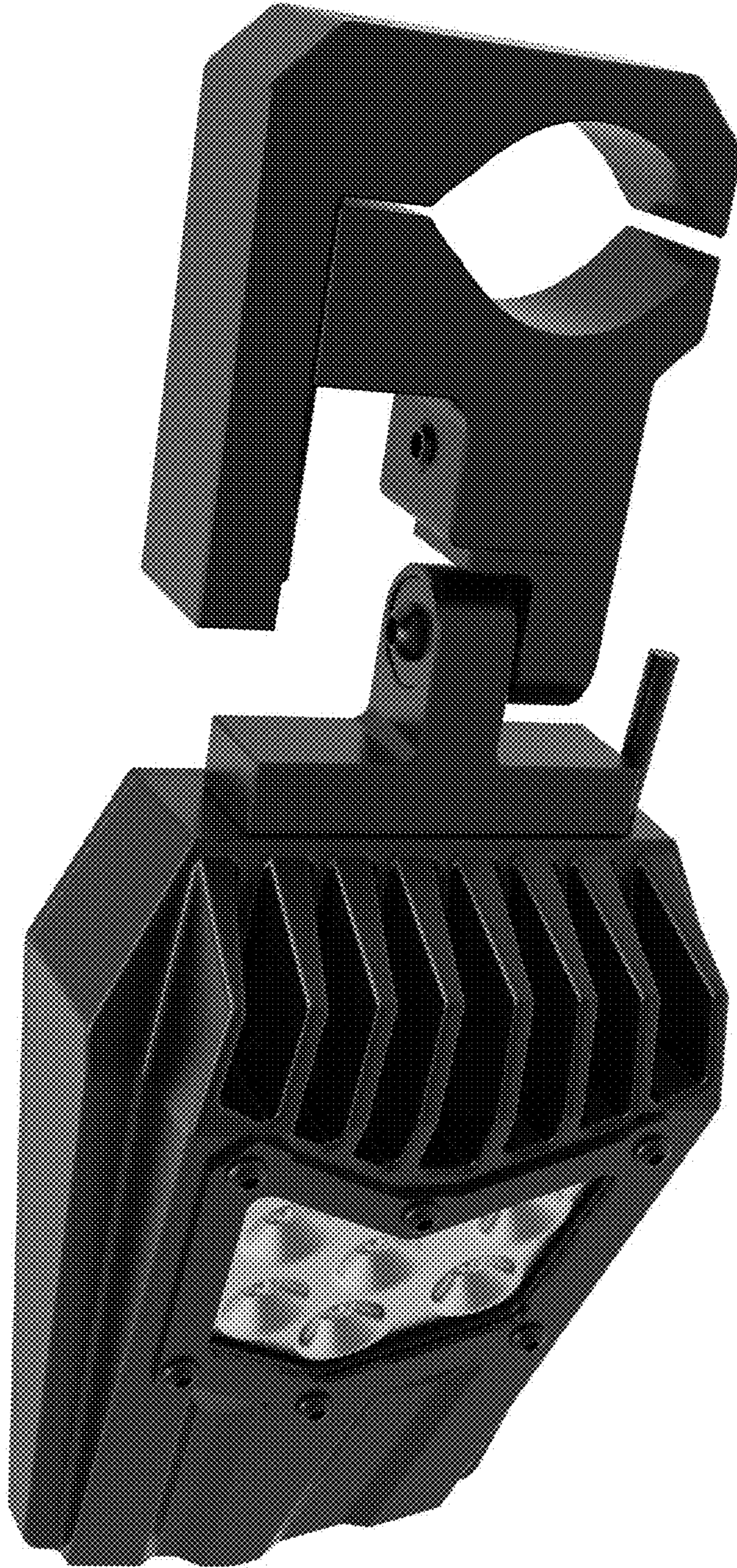


FIG. 8

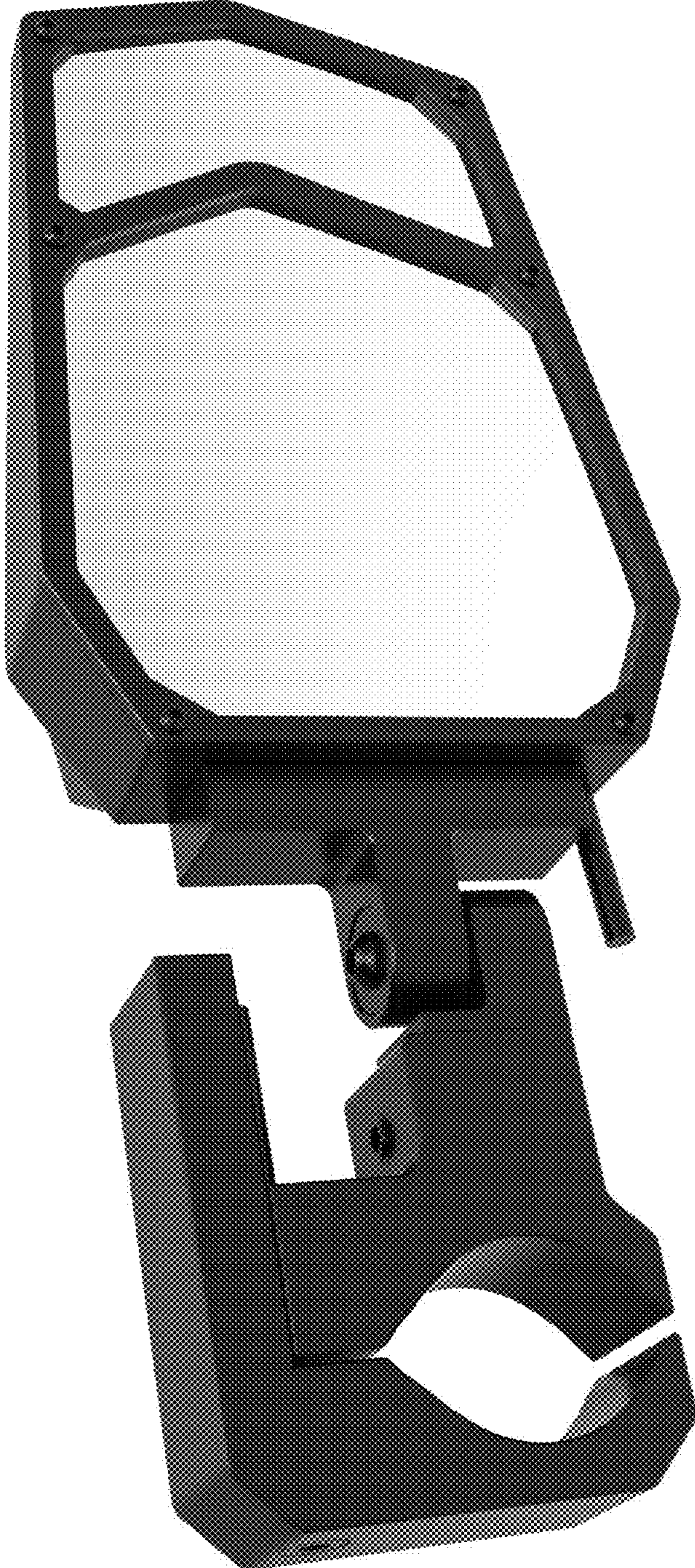


FIG. 9



FIG. 10