



US00D945336S

(12) **United States Design Patent** (10) **Patent No.:** **US D945,336 S**  
**Ambrosi** (45) **Date of Patent:** **\*\* Mar. 8, 2022**

(54) **WING MIRROR**  
(71) Applicant: **S.M.A.T. NORD S.R.L.**, Turin (IT)  
(72) Inventor: **Gianfranco Ambrosi**, Almese (IT)  
(73) Assignee: **S.M.A.T. NORD S.R.L.**, Turin (IT)  
(\*\*) Term: **15 Years**  
(21) Appl. No.: **29/734,553**  
(22) Filed: **May 13, 2020**  
(30) **Foreign Application Priority Data**

Nov. 14, 2019 (EM) ..... 007231733  
(51) **LOC (13) Cl.** ..... **12-16**  
(52) **U.S. Cl.**  
USPC ..... **D12/187**  
(58) **Field of Classification Search**  
USPC ..... D12/187, 188, 189, 96; D6/300, 309  
CPC ..... B60R 1/076; B60R 1/0605; B60R 1/0612;  
G02B 7/18; G02B 7/182; G02B 5/08  
See application file for complete search history.

(56) **References Cited**  
U.S. PATENT DOCUMENTS  
D513,724 S \* 1/2006 Stenzel ..... D12/187  
D552,020 S \* 10/2007 Hofle ..... D12/187  
D575,706 S \* 8/2008 Snegg ..... D12/187  
D597,007 S \* 7/2009 Ferman ..... D12/187  
D609,618 S \* 2/2010 Chen ..... D12/187  
D717,704 S \* 11/2014 Petroff ..... D12/187  
D717,705 S \* 11/2014 Petroff ..... D12/187  
D763,150 S \* 8/2016 Kratzer ..... D12/187  
D763,756 S \* 8/2016 Enz ..... D12/187  
D869,364 S \* 12/2019 Ambrosi ..... D12/187

D896,735 S \* 9/2020 Koenraads ..... D12/416  
2004/0218298 A1\* 11/2004 Stenzel ..... B60R 1/0612  
359/879  
2006/0250710 A1\* 11/2006 Schmidt ..... B60R 1/0605  
359/879

\* cited by examiner

*Primary Examiner* — Susan E Krakower  
*Assistant Examiner* — Jerry Shiuan-Hua Hsu  
(74) *Attorney, Agent, or Firm* — Shuttleworth & Ingersoll, PLC; Timothy J. Klima

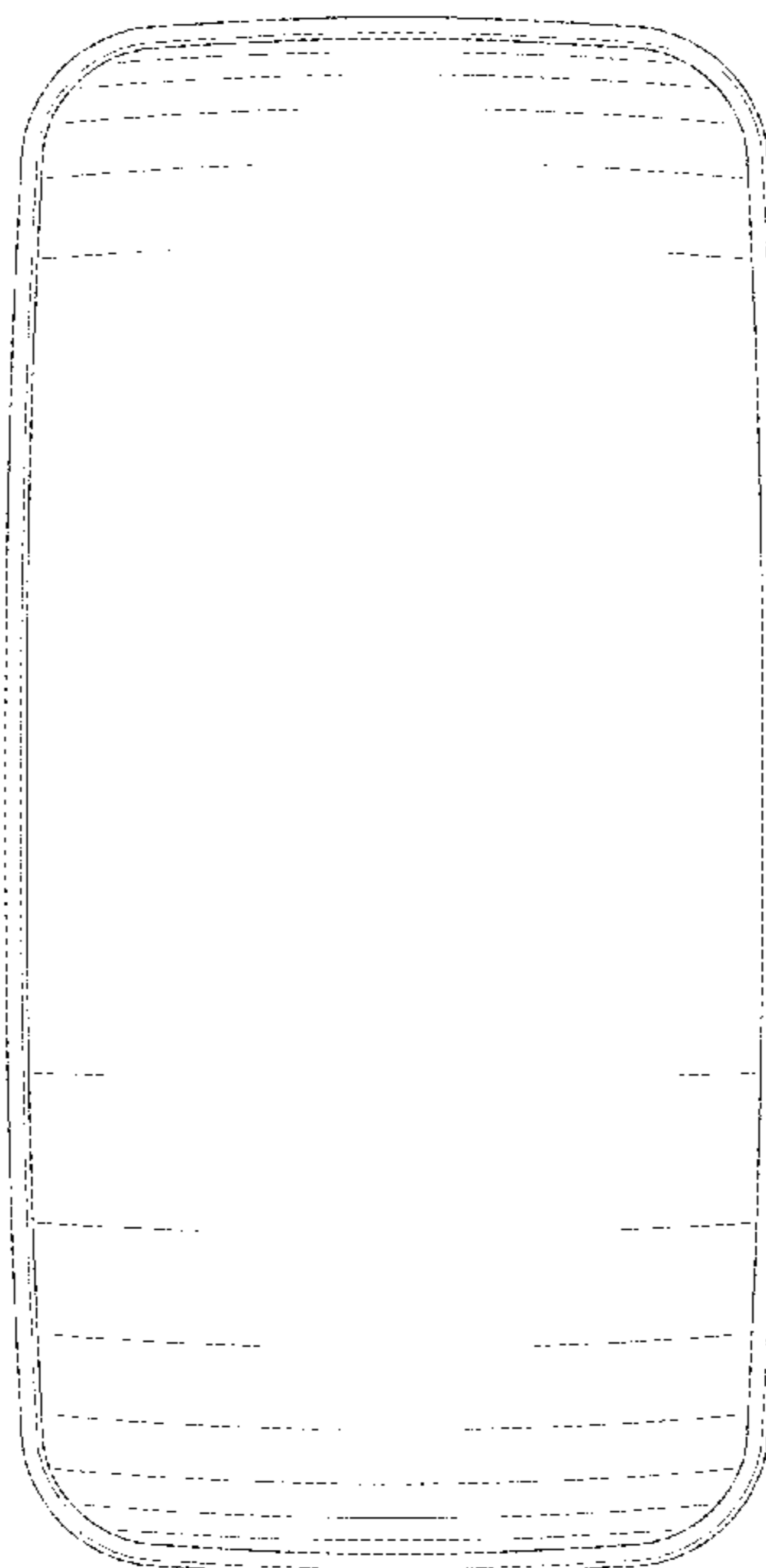
(57) **CLAIM**

The ornamental design for a wing mirror, as shown and described.

**DESCRIPTION**

FIG. 1 is a front elevation view of the first embodiment of the wing mirror, of the present design;  
FIG. 2 is a back elevation view thereof;  
FIG. 3 is a right side elevation view thereof;  
FIG. 4 is a left side elevation view thereof;  
FIG. 5 is a top plan view thereof;  
FIG. 6 is a bottom plan view thereof;  
FIG. 7 is a top, back, left perspective view thereof;  
FIG. 8 is a top, front, right perspective view thereof;  
FIG. 9 is a front elevation view of a second embodiment of the wing mirror;  
FIG. 10 is a back elevation view thereof;  
FIG. 11 is a right side elevation view thereof;  
FIG. 12 is a left side elevation view thereof;  
FIG. 13 is top plan view thereof;  
FIG. 14 is a bottom plan view thereof;  
FIG. 15 is a bottom, back, left perspective view thereof; and,  
FIG. 16 is a bottom, front, right perspective view thereof.  
Any broken lines in the figures illustrate portions of the wing mirror that form no part of the claimed design.

**1 Claim, 16 Drawing Sheets**



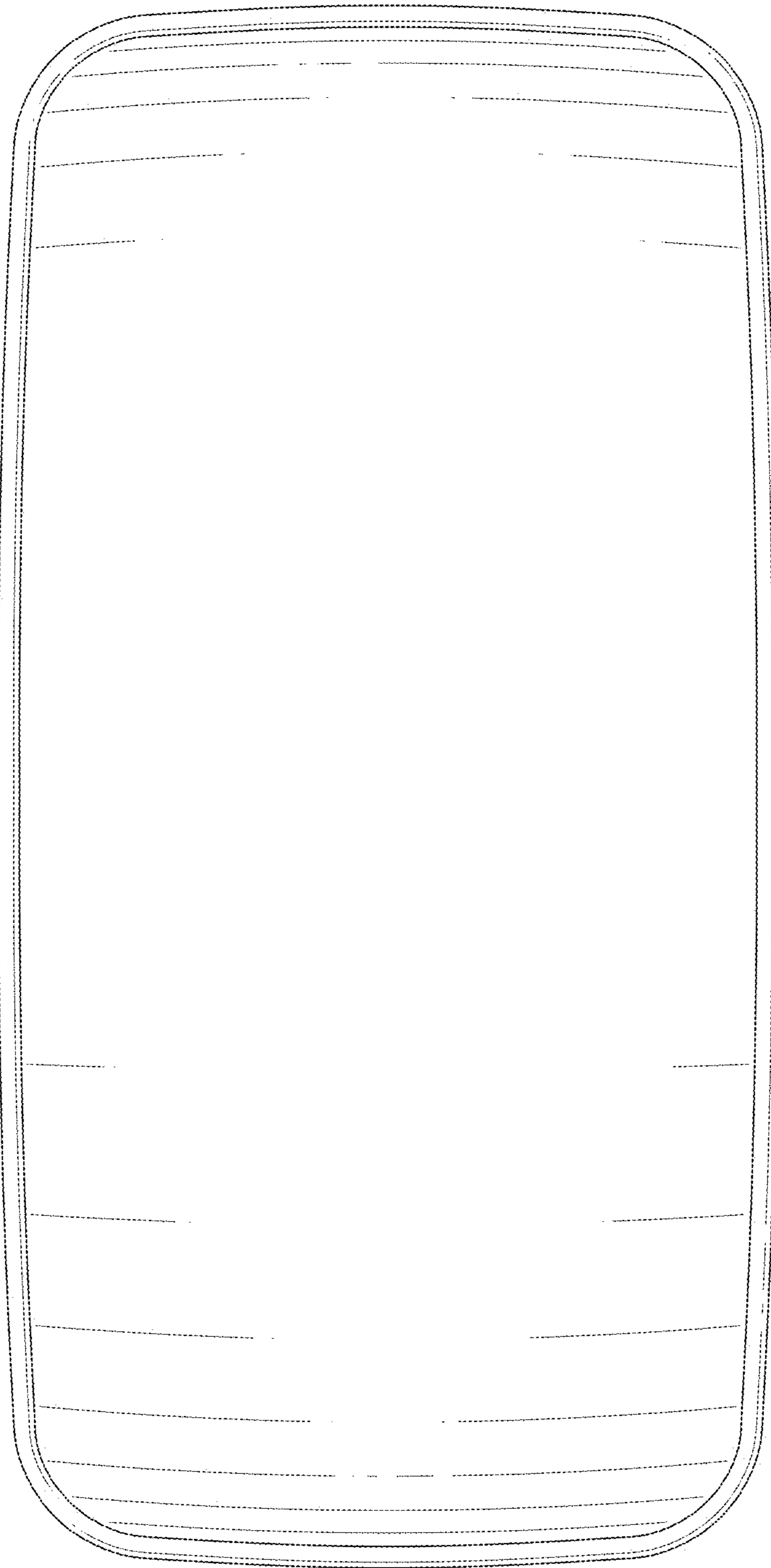


FIG. 1

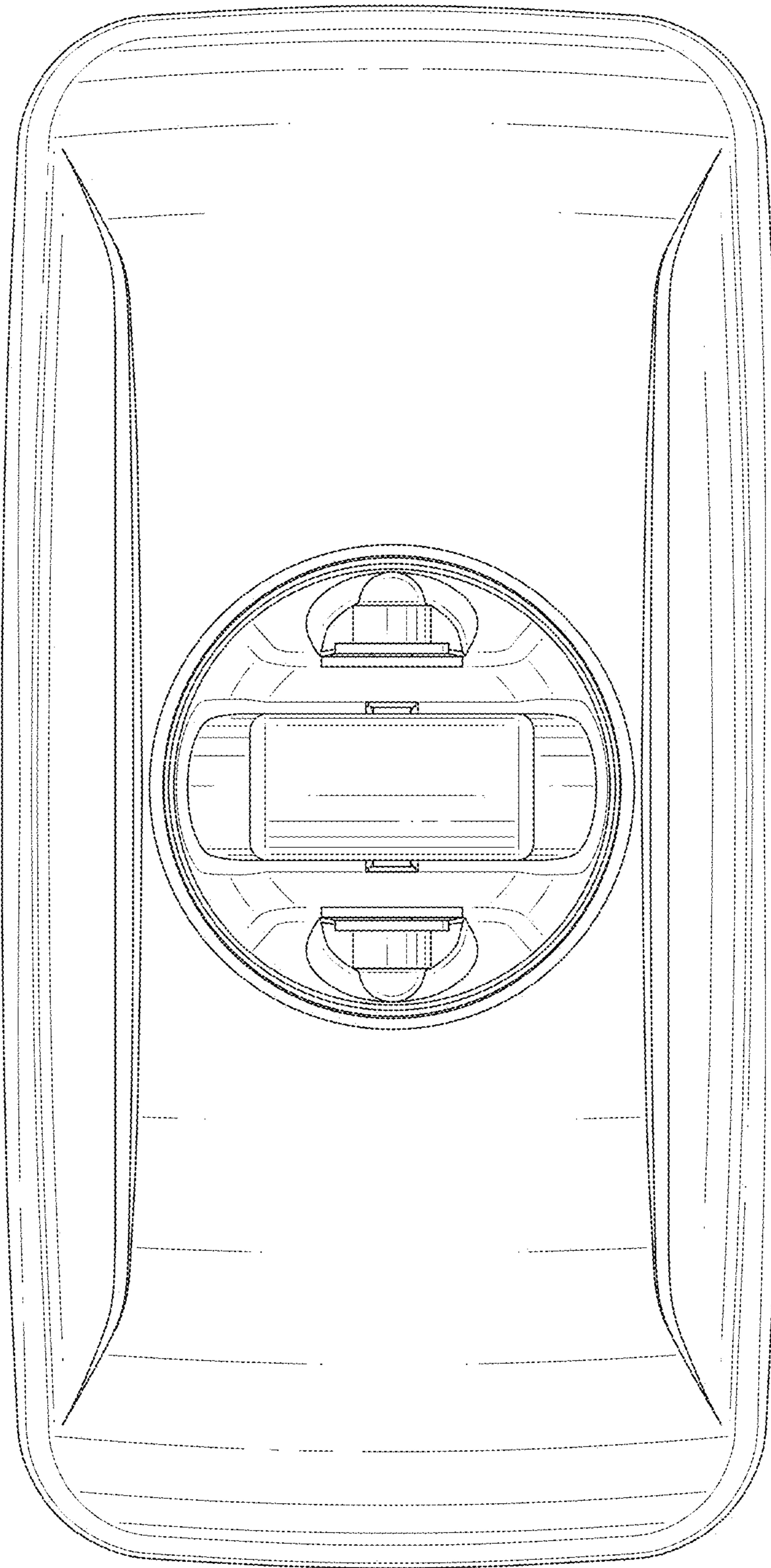


FIG. 2

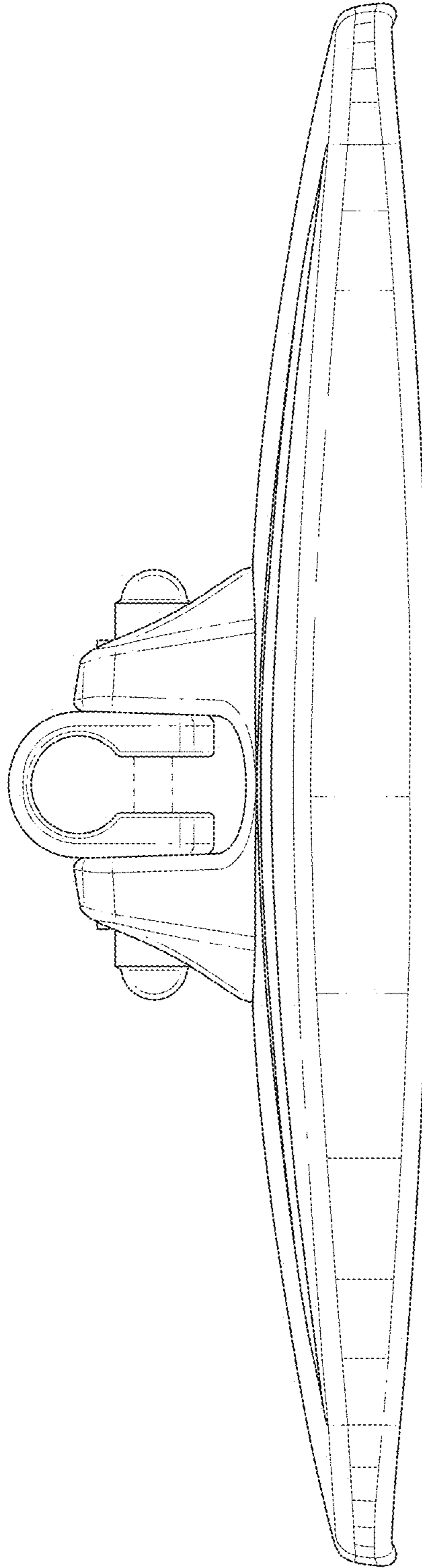


FIG. 3

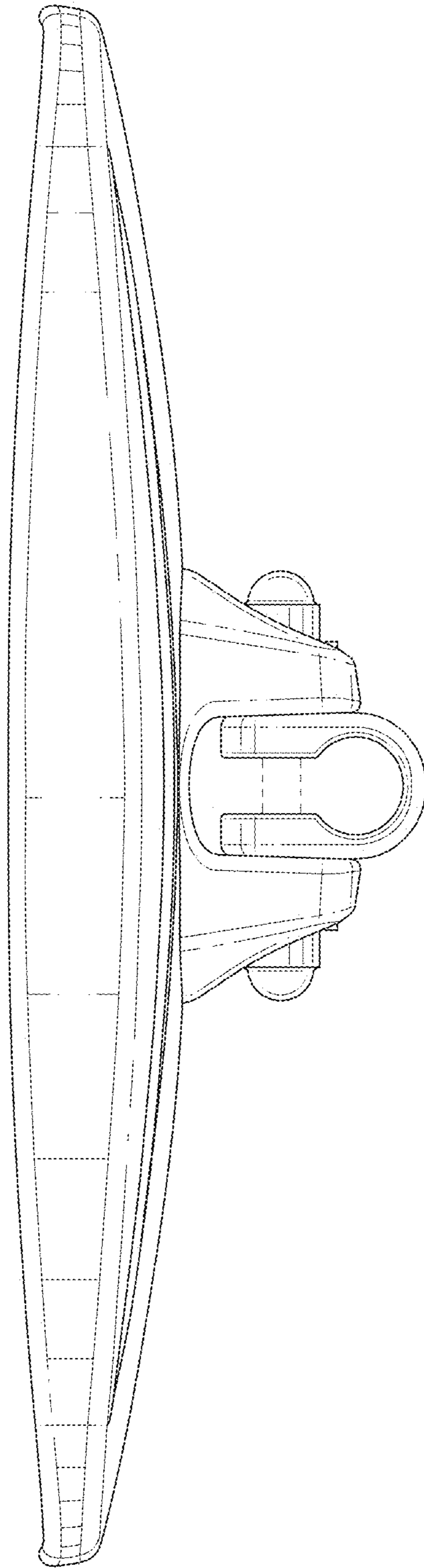


FIG.4

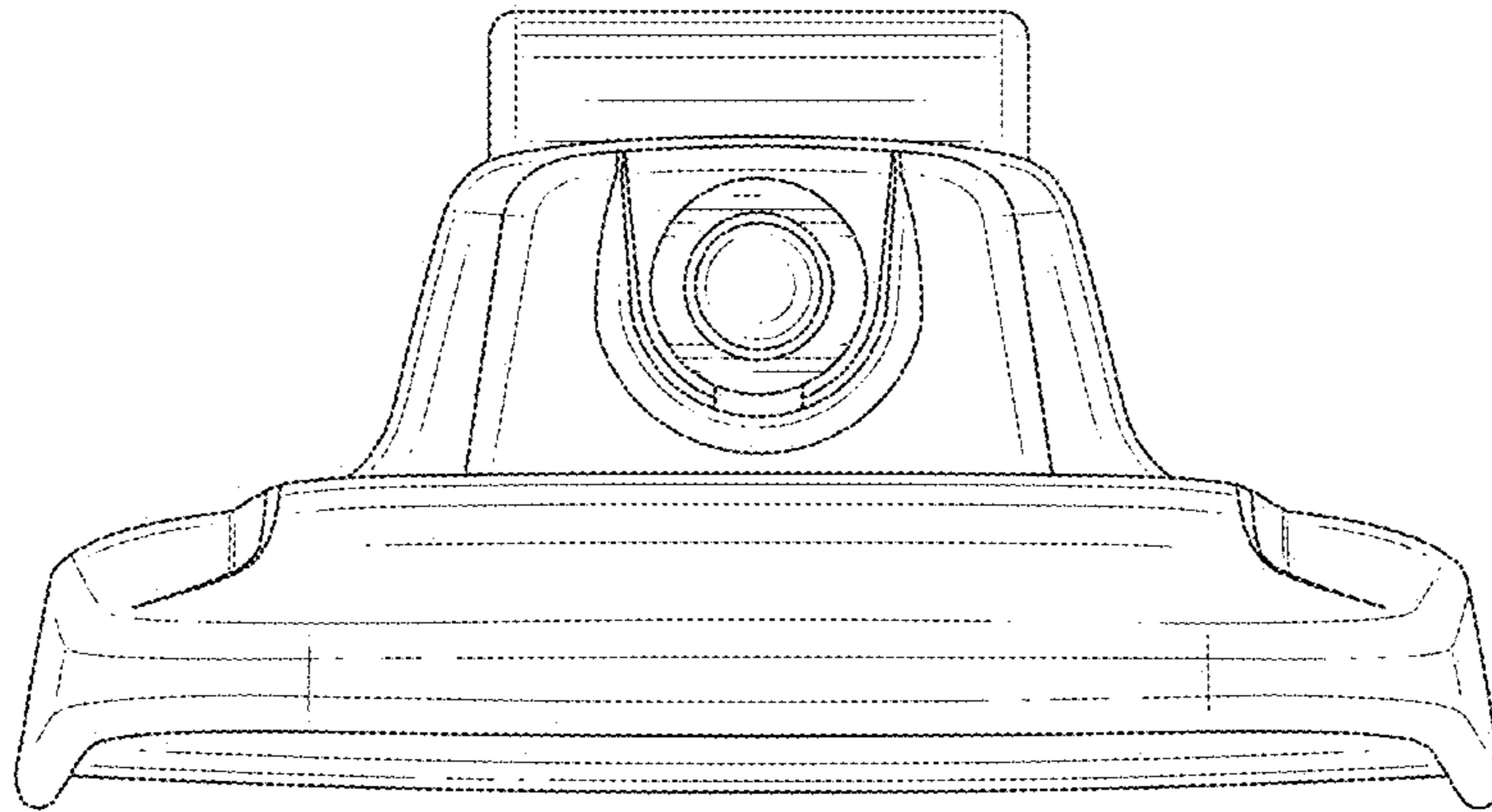


FIG. 5

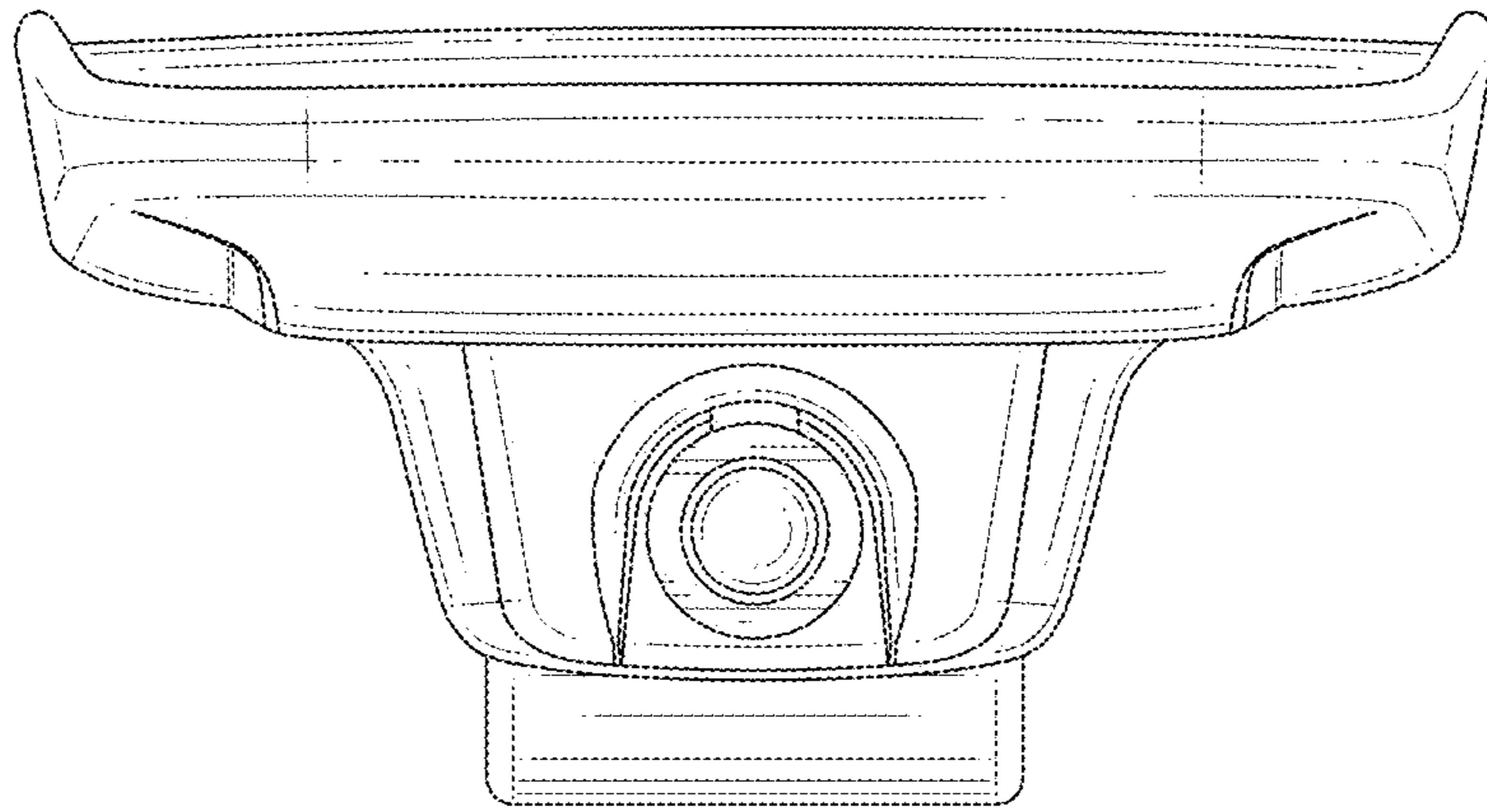


FIG.6

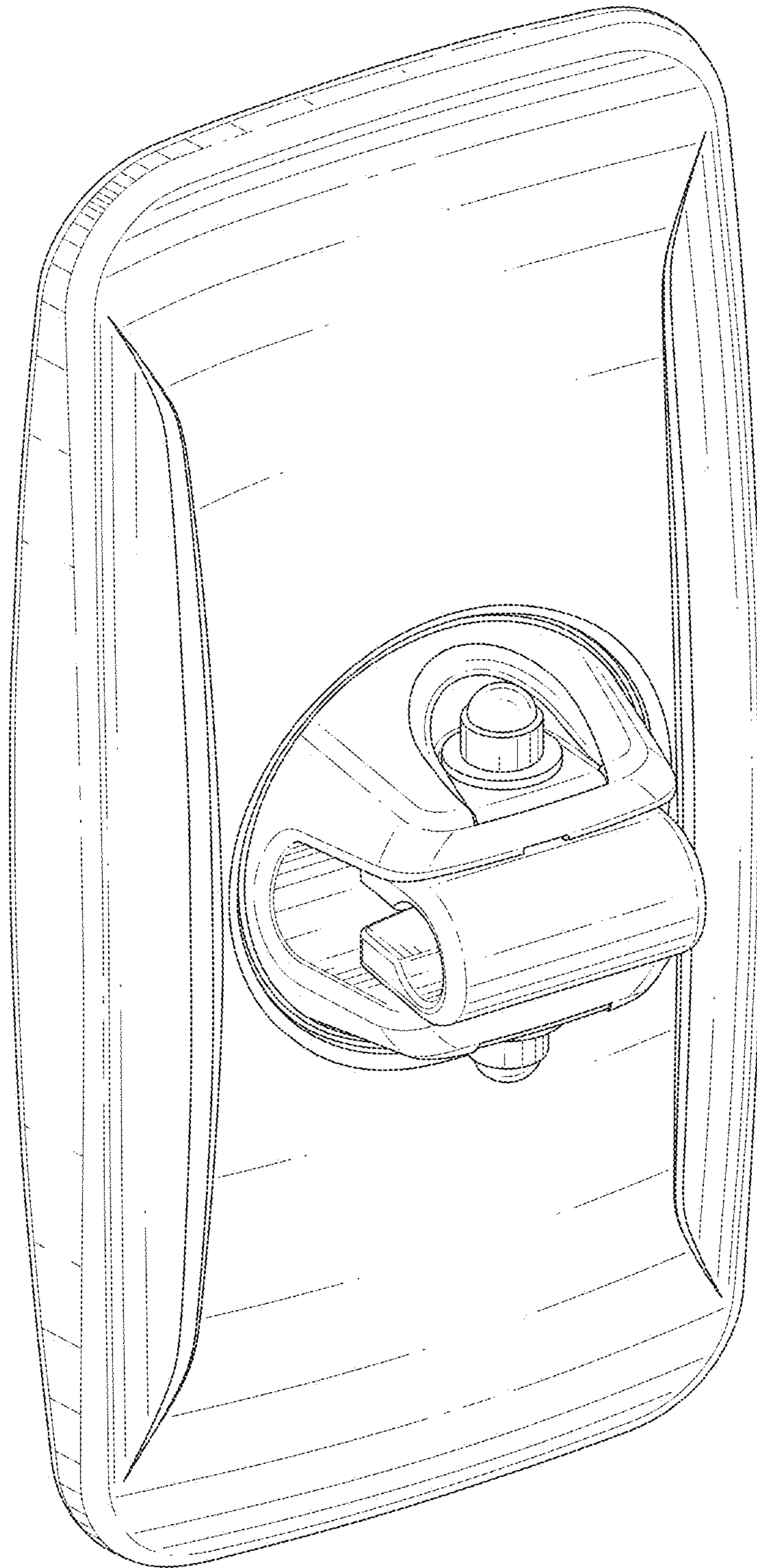


FIG. 7



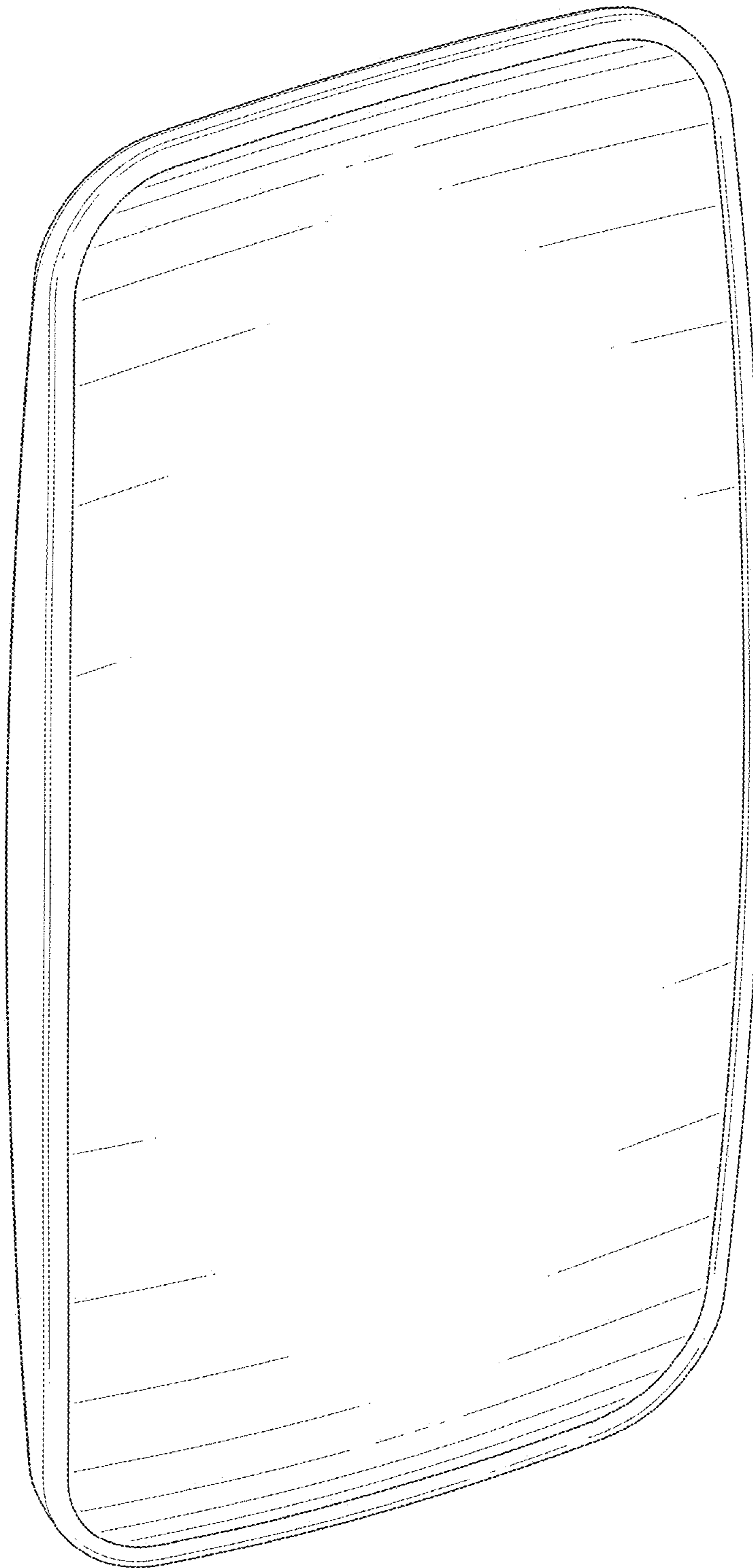


FIG. 8

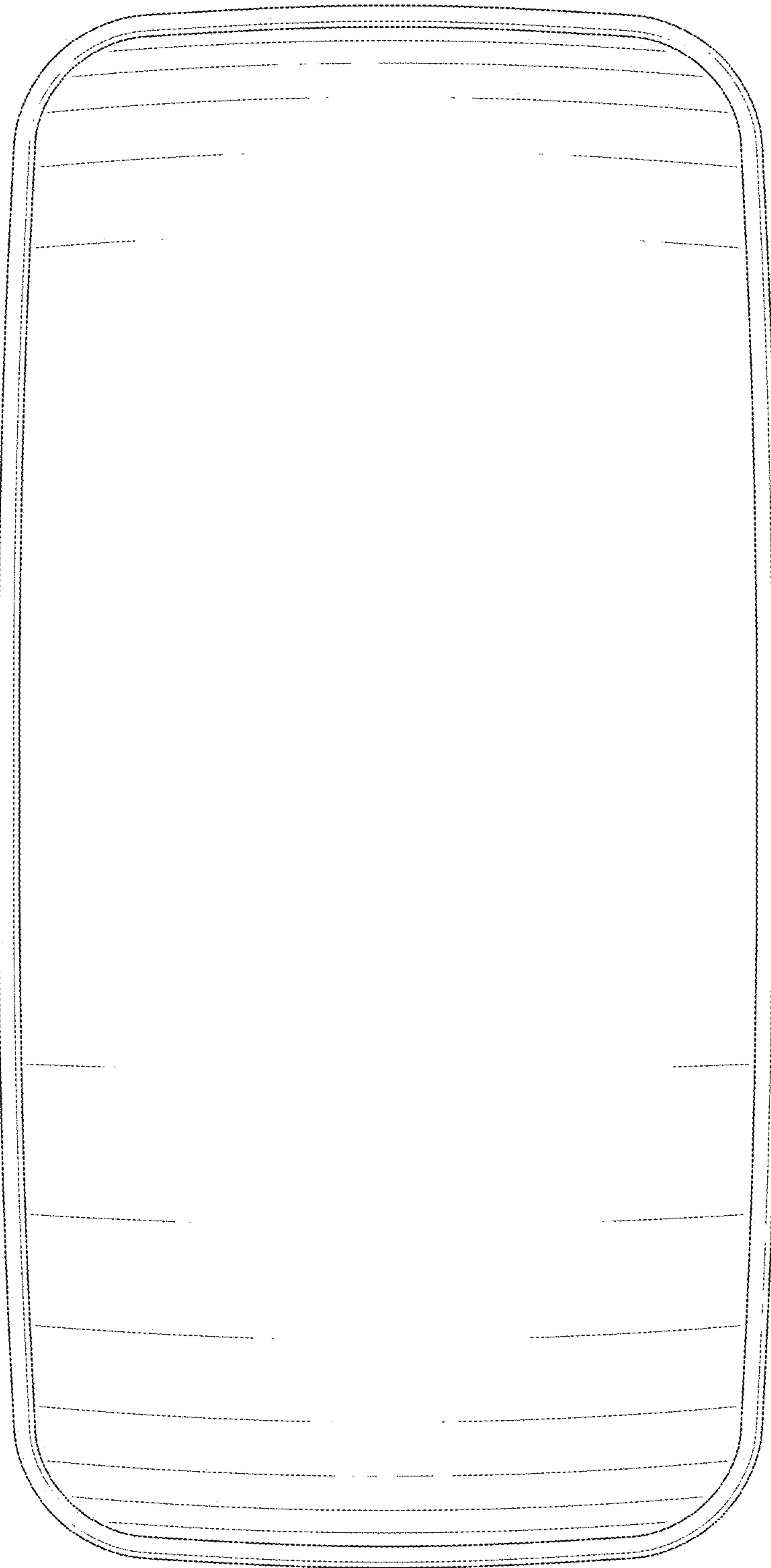


FIG. 9

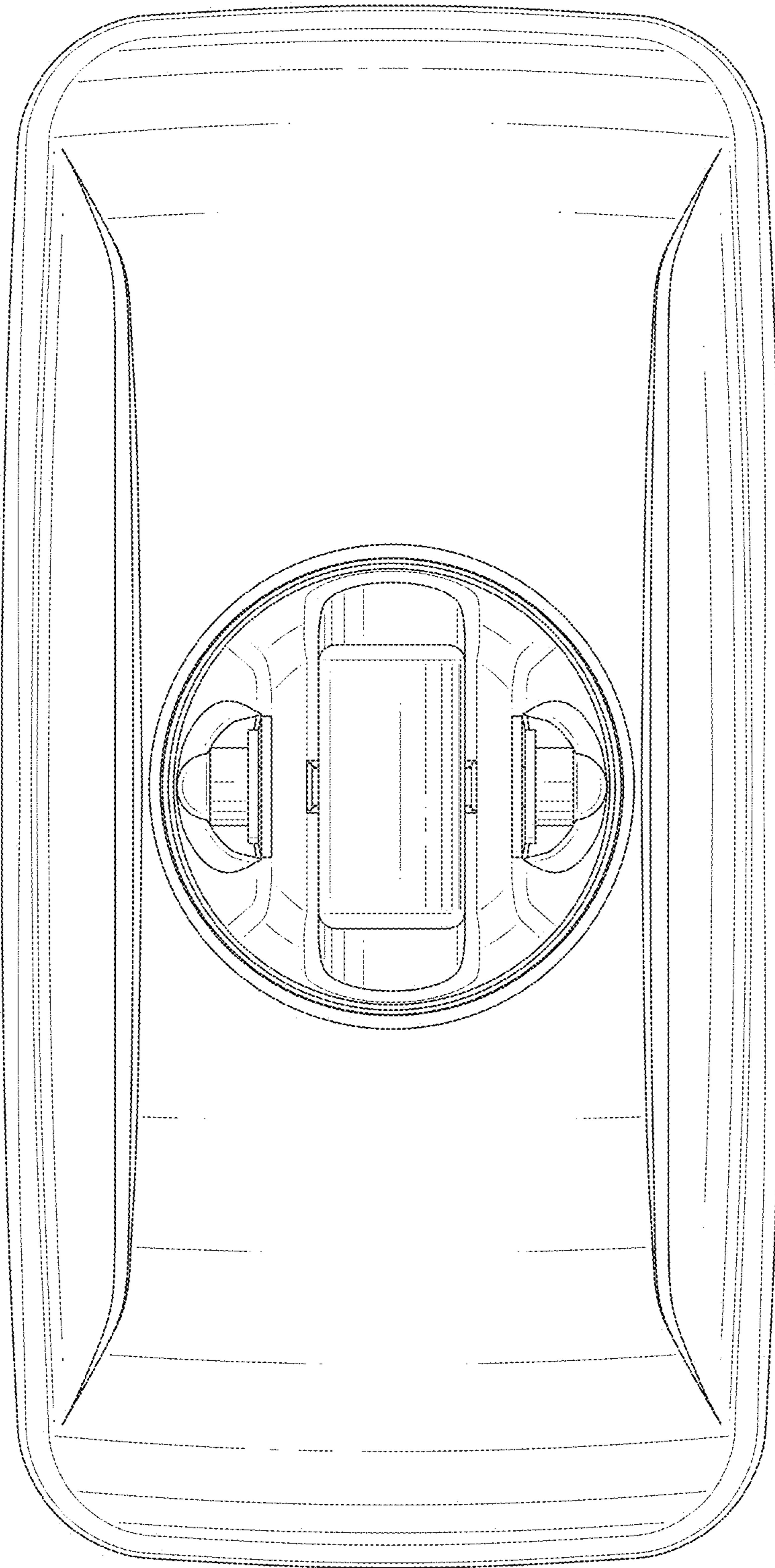


FIG. 10

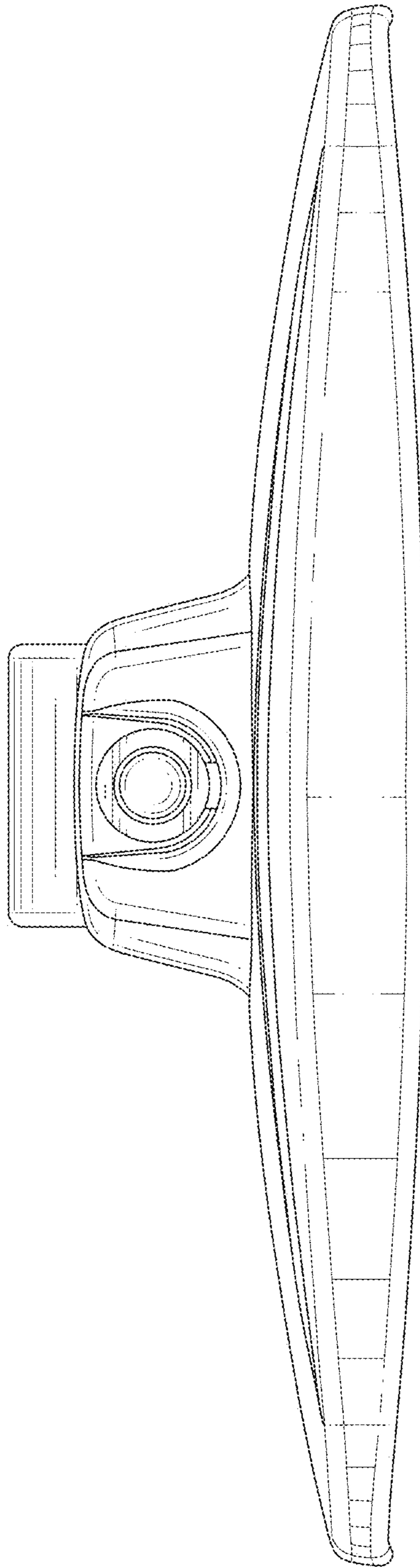


FIG. 11

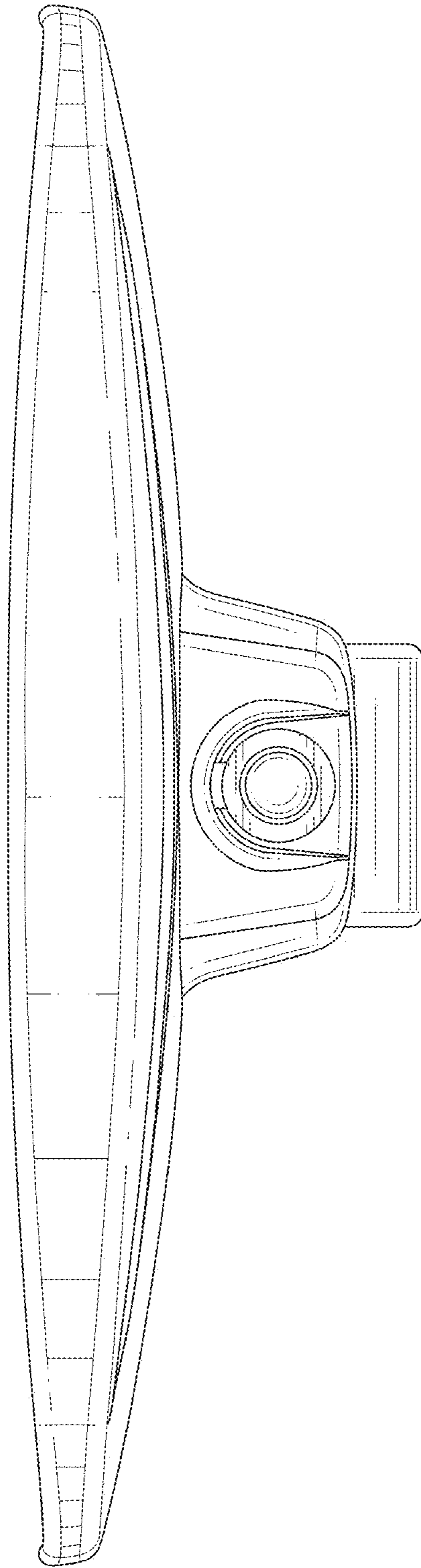


FIG. 12

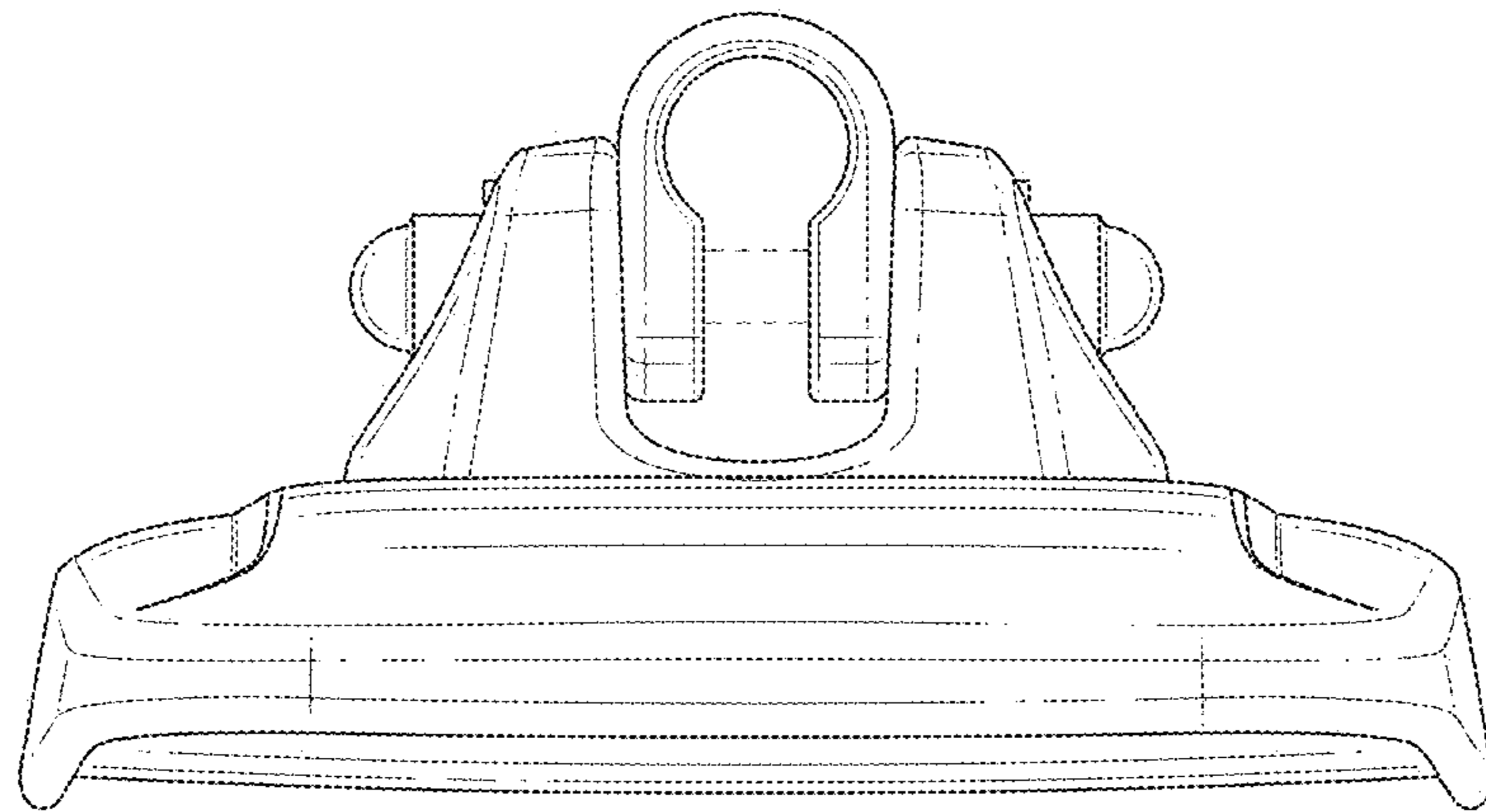


FIG. 13

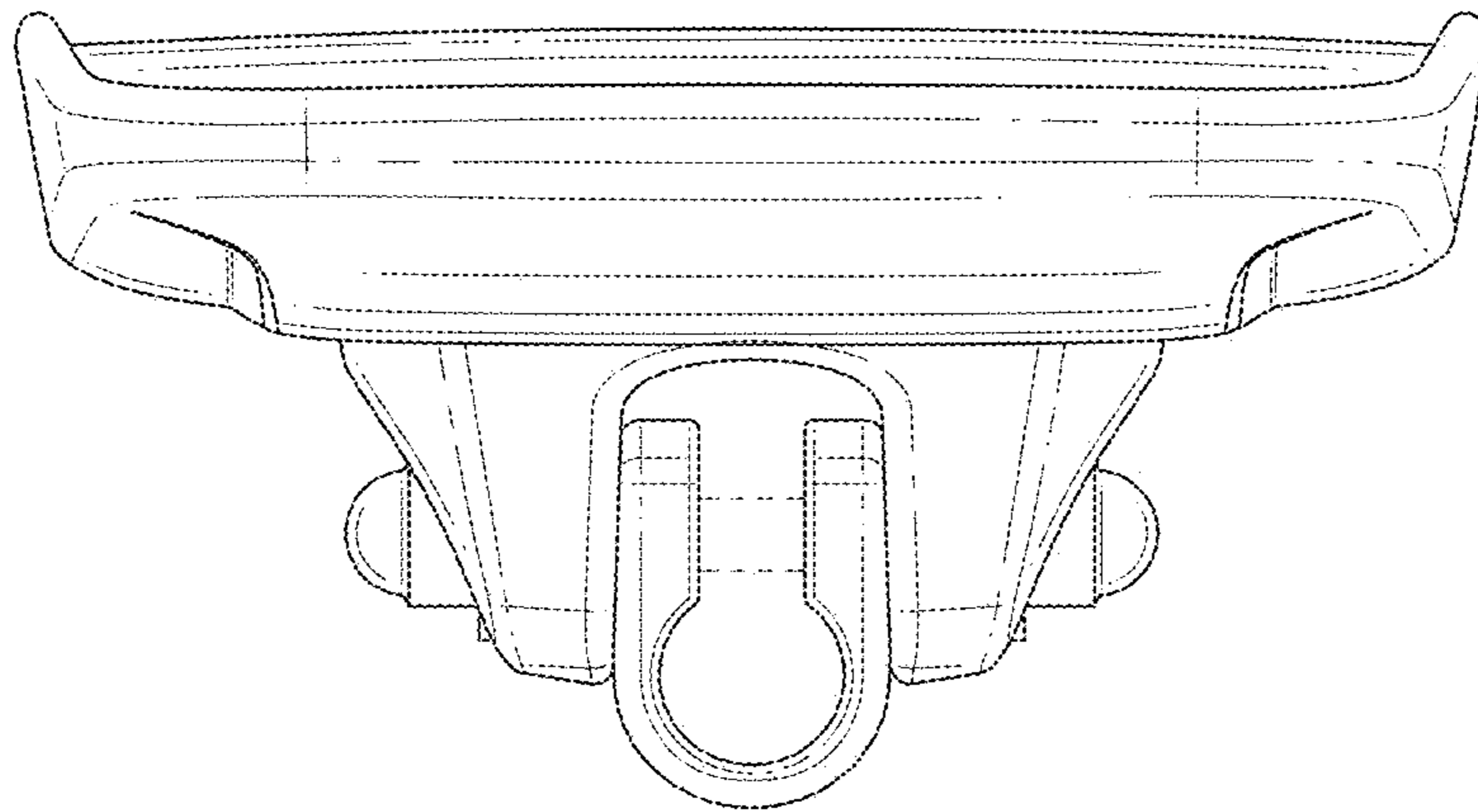


FIG. 14

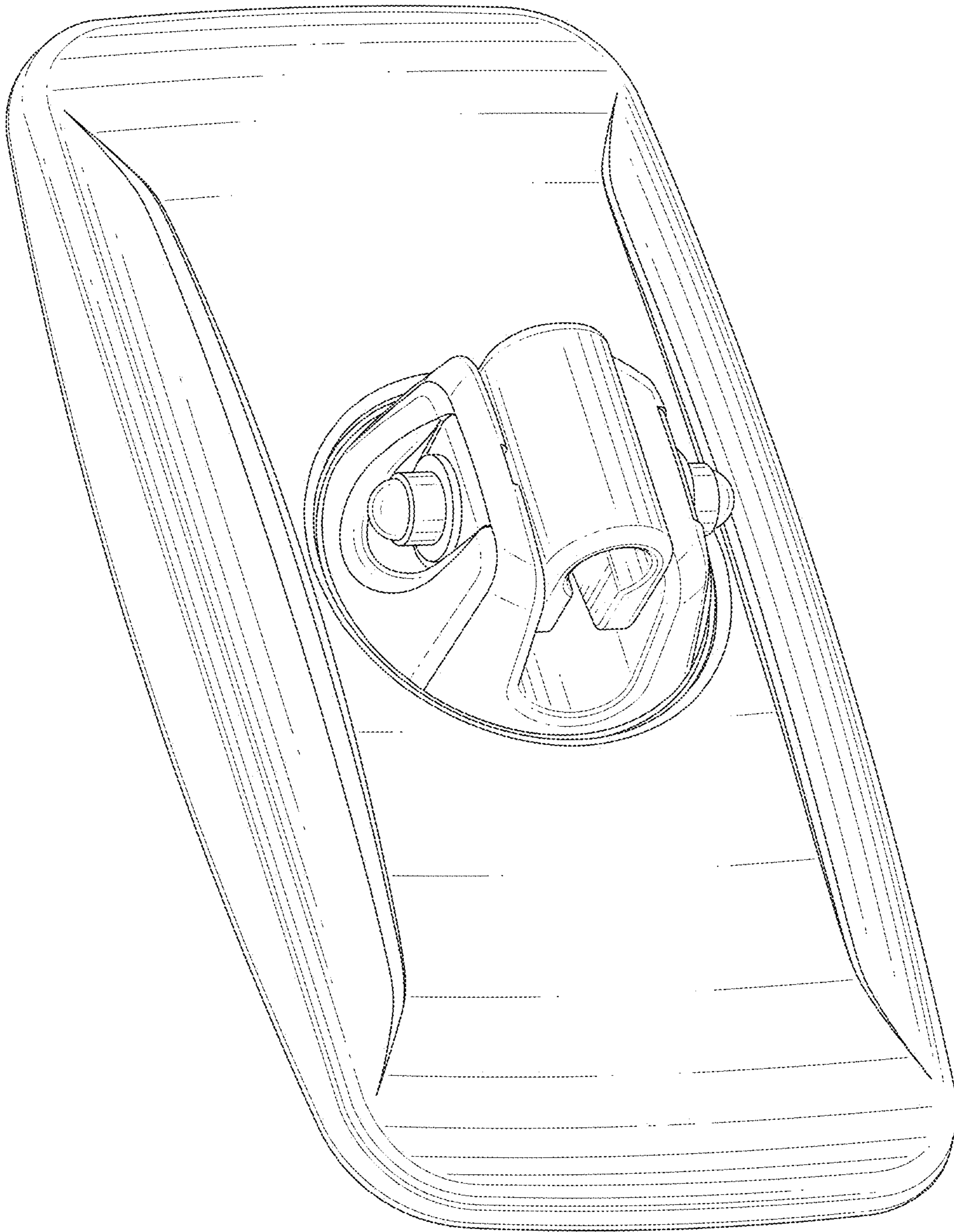


FIG. 15



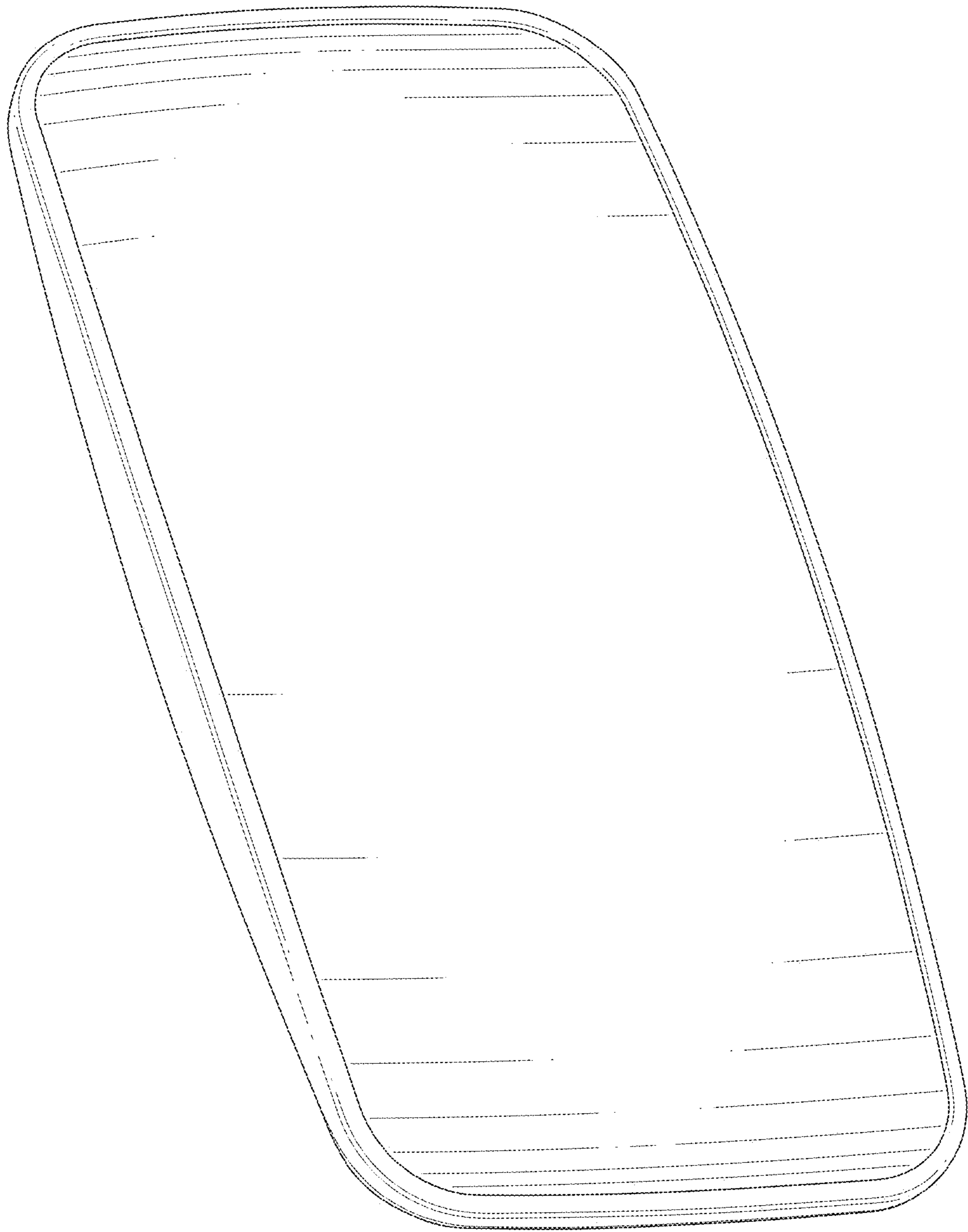


FIG. 16