



US00D945333S

(12) **United States Design Patent** (10) **Patent No.:** **US D945,333 S**
Hagler et al. (45) **Date of Patent:** **** Mar. 8, 2022**

(54) **MODEL VEHICLE REAR BUMPER**
(71) Applicant: **TRAXXAS, L.P.**, McKinney, TX (US)
(72) Inventors: **Skylar Hagler**, Anna, TX (US); **Otto Karl Allmendinger**, Rowlett, TX (US)
(73) Assignee: **TRAXXAS LP**, McKinney, TX (US)
(**) Term: **15 Years**

2,038,964 A 4/1936 Smith
2,144,357 A 1/1939 Booharin
2,146,642 A 2/1939 Mueth
(Continued)

FOREIGN PATENT DOCUMENTS

TW D147600 S 6/2012
TW D154920 S 7/2013
(Continued)

(21) Appl. No.: **29/752,047**

OTHER PUBLICATIONS

(22) Filed: **Sep. 24, 2020**
(51) **LOC (13) Cl.** **12-16**
(52) **U.S. Cl.**
USPC **D12/171**; D12/169
(58) **Field of Classification Search**
USPC D12/86, 90, 91, 92, 163, 164, 169, 171,
D12/196, 216
CPC B60R 19/02; B60R 19/18; B60R 19/24;
B60R 19/56; B60R 2019/007; B62D
25/0845
See application file for complete search history.

Traxxas LP; The New Traxxas Summit 16.8 V Electric Extreme Terrain Monster Truck; Traxxas Press Release; Oct. 16, 2008.
(Continued)

Primary Examiner — Darlington Ly
(74) *Attorney, Agent, or Firm* — Daryl R. Wright; Greg Carr

(57) **CLAIM**

We claim the ornamental design for a model vehicle rear bumper, as shown and described.

(56) **References Cited**

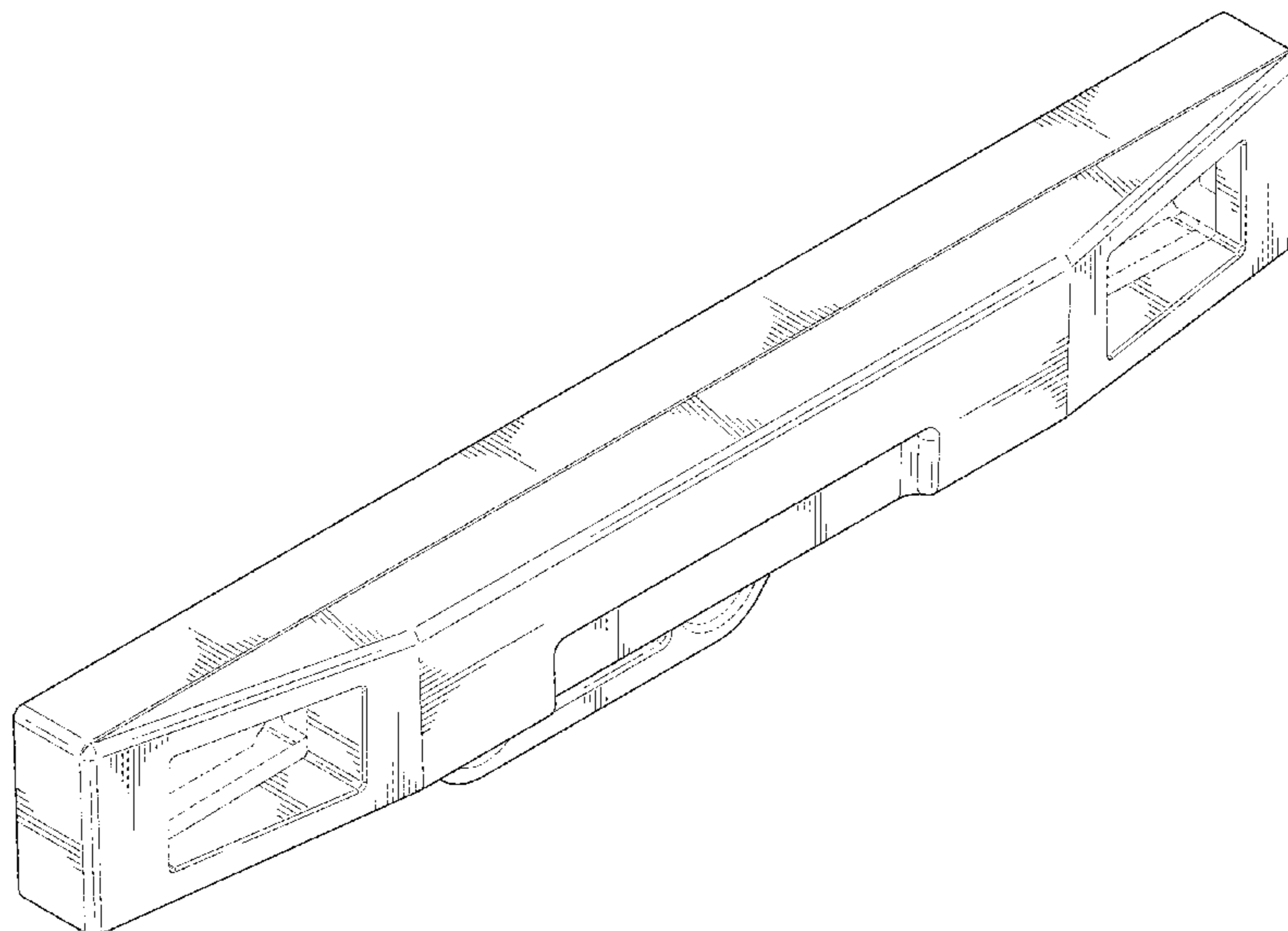
DESCRIPTION

U.S. PATENT DOCUMENTS

1,355,592 A 10/1920 De Graw
1,414,382 A 5/1922 Stafford
1,427,624 A 8/1922 Newton
1,448,504 A 3/1923 Plante
1,464,321 A 8/1923 Koester et al.
1,468,868 A 9/1923 Reichstetter, Jr. et al.
1,487,352 A 3/1924 Nelson
1,494,867 A 5/1924 Rahe
1,509,394 A 9/1924 Cox
1,534,760 A 4/1925 Blackmore
1,633,603 A 6/1927 Spencer
1,655,978 A 1/1928 Vella
1,729,731 A 10/1929 Vidach
1,836,610 A 12/1931 McMurdo
1,867,708 A 7/1932 Paton
1,982,775 A 12/1934 Williams

FIG. 1 is an upper, right, front perspective view of a model vehicle rear bumper showing our new design;
FIG. 2 is a front elevation view thereof;
FIG. 3 is a rear elevation view thereof;
FIG. 4 is a left side elevation view thereof;
FIG. 5 is a right side elevation view thereof;
FIG. 6 is an upper plan view thereof;
FIG. 7 is a lower plan view thereof; and,
FIG. 8 is a lower, left, front perspective view of the model vehicle rear bumper.
In the drawings, the broken lines illustrate portions of the model vehicle rear bumper that form no part of the claimed design.

1 Claim, 5 Drawing Sheets



(56)

References Cited

U.S. PATENT DOCUMENTS

2,227,560 A	1/1941	Szabo		D740,730 S	*	10/2015	Peltola	D12/169
2,236,507 A	4/1941	Kreits		D741,233 S		10/2015	Glover et al.	
D160,661 S	12/1949	Ross		D744,384 S		12/2015	Harriton	
2,502,483 A	4/1950	Sauer et al.		D744,386 S		12/2015	Harriton	
2,604,349 A	7/1952	Martinetz		D744,387 S		12/2015	Harriton	
3,547,469 A	12/1970	Sancioni		D744,388 S		12/2015	Harriton	
3,663,048 A	5/1972	Zimmerle		D749,021 S		2/2016	Boniface et al.	
3,689,054 A	9/1972	Gouirand		D749,995 S		2/2016	Azadi et al.	
D225,523 S	12/1972	Nunn		D751,012 S		3/2016	Hare	
3,756,643 A	9/1973	Weed		D753,034 S		4/2016	Thole et al.	
3,774,948 A	11/1973	Gouirand		D760,133 S		6/2016	Bennett et al.	
3,782,767 A	1/1974	Moore		D761,166 S		7/2016	Hare	
3,829,118 A	8/1974	Gouirand		D763,745 S	*	8/2016	Lee, IV	D12/169
3,837,695 A	9/1974	Haase et al.		D771,537 S	*	11/2016	Hare	D12/171
D234,194 S	1/1975	Cline		D775,013 S		12/2016	Bennett et al.	
3,938,840 A	2/1976	Haase et al.		D775,016 S	*	12/2016	Reynolds	D12/171
3,971,583 A	7/1976	Kornhauser		D775,032 S		12/2016	Palmer et al.	
4,264,094 A	4/1981	White et al.		D776,582 S		1/2017	Bennett et al.	
D275,776 S	10/1984	Horowitz et al.		D777,618 S		1/2017	Setina	
D300,128 S	3/1989	Brennan		D777,619 S	*	1/2017	Barajas	D12/171
5,181,699 A	1/1993	Chang		D778,213 S	*	2/2017	Platto	D12/169
5,326,083 A	7/1994	Wydra et al.		D778,784 S		2/2017	Hirooka	
D360,865 S	* 8/1995	Hanson	D12/169	D781,193 S		3/2017	McMath	
D375,067 S	10/1996	Bronstein		D781,757 S		3/2017	Baggett	
D403,023 S	12/1998	Araki		D784,869 S		4/2017	Yamamoto	
5,971,451 A	10/1999	Huang		D785,504 S		5/2017	Higgs	
D420,634 S	2/2000	Nelson		D786,745 S		5/2017	Zeng	
D420,962 S	2/2000	Chevalier		D789,258 S		6/2017	McMath	
D422,953 S	4/2000	Waagenaar		D792,817 S	*	7/2017	McMath	D12/171
D425,462 S	5/2000	Ujii		D792,818 S		7/2017	McMath	
D431,506 S	10/2000	Runfol		D793,304 S		8/2017	McMath	
D432,469 S	10/2000	Nelson		D794,519 S		8/2017	McMath	
6,217,090 B1	4/2001	Berzinji		D796,399 S		9/2017	Steen	
D454,098 S	* 3/2002	McGuinness	D12/171	D800,028 S		10/2017	Baggett	
D454,099 S	3/2002	McGuinness		D800,036 S		10/2017	Bennett et al.	
D454,817 S	3/2002	McGuinness		D800,226 S		10/2017	Zeng	
D455,684 S	4/2002	McGuinness		D801,892 S		11/2017	Drever	
D455,988 S	* 4/2002	McGuinness	D12/171	D810,626 S		2/2018	Macey et al.	
D460,499 S	7/2002	Wu		D811,956 S		3/2018	Zeng	
D462,401 S	9/2002	Wu		D814,984 S		4/2018	Wymore	
D462,727 S	9/2002	Wu		D821,275 S		6/2018	Eck et al.	
D464,087 S	10/2002	Wu		D823,750 S		7/2018	Schulzetenberg et al.	
D476,606 S	7/2003	Hamm et al.		D825,385 S		8/2018	Ma	
D485,219 S	1/2004	Hamm et al.		D826,115 S	*	8/2018	Chi	B60R 19/52 D12/172
D487,038 S	2/2004	Chan		D826,116 S		8/2018	DiCanzio	
D502,433 S	3/2005	McClanahan		D827,054 S		8/2018	Ewing et al.	
D506,421 S	6/2005	Newbill		D827,055 S	*	8/2018	Barajas	D21/561
D521,572 S	5/2006	Yuen		D828,223 S		9/2018	Piscitelli	
7,097,222 B2	8/2006	Ran		D830,919 S		10/2018	Zeng	
D527,696 S	9/2006	Ichikawa et al.		D832,161 S		10/2018	Kobayashi	
D532,348 S	11/2006	Kudo et al.		D832,368 S		10/2018	Barajas et al.	
D533,606 S	12/2006	Kaminski		D833,922 S		11/2018	DiCanzio	
D534,593 S	1/2007	Yuen		D845,844 S		4/2019	Langhals et al.	
D577,083 S	9/2008	Nakayama		D845,845 S		4/2019	Goodrich et al.	
D580,322 S	11/2008	Schroeder et al.		D845,846 S		4/2019	Goodrich et al.	
D590,752 S	* 4/2009	Williams	D12/169	D845,847 S		4/2019	Piscitelli et al.	
D593,616 S	6/2009	Asai		D846,460 S		4/2019	Goodrich et al.	
D606,913 S	12/2009	Robertson		D846,461 S		4/2019	Piscitelli et al.	
7,703,834 B1	* 4/2010	Hardy	B60R 19/023 296/117	D846,462 S	*	4/2019	DiCanzio	D12/171
D636,305 S	4/2011	Alvarez et al.		D847,051 S		4/2019	DiCanzio	
D642,099 S	7/2011	Nagao et al.		D847,709 S		5/2019	Neal	
D683,281 S	5/2013	Harriton		D850,334 S		6/2019	DiCanzio	
D691,074 S	10/2013	Dugardin		D860,881 S		9/2019	Ninov et al.	
D697,842 S	1/2014	Harriton		D864,806 S	*	10/2019	Wood	D12/171
D699,640 S	2/2014	Duderstadt		D870,615 S	*	12/2019	Wood	D12/171
D704,107 S	5/2014	Peltola et al.		D873,729 S	*	1/2020	Rolfs	D12/169
D713,305 S	9/2014	Sperling et al.		D873,730 S		1/2020	Goodrich et al.	
D716,201 S	10/2014	Ewing et al.		D873,731 S	*	1/2020	Goodrich	D12/169
D722,927 S	2/2015	Schroeder et al.		D873,734 S	*	1/2020	Goodrich	D12/171
D726,605 S	4/2015	Schroeder		D874,998 S		2/2020	Zhang	
D728,038 S	4/2015	Ewing et al.		D874,999 S	*	2/2020	Ewing	D12/171
D737,181 S	8/2015	Smith et al.		D877,003 S		3/2020	Izard	
D737,724 S	9/2015	Schroeder et al.		D877,670 S	*	3/2020	Moctezuma	D12/171
D737,739 S	9/2015	Hanson et al.		D878,976 S	*	3/2020	Goodrich	D12/169
				D878,978 S		3/2020	Li	
				D880,381 S		4/2020	DiCanzio	
				D887,328 S	*	6/2020	Lee	D12/171
				D889,332 S		7/2020	Chi	

(56)

References Cited

U.S. PATENT DOCUMENTS

D891,330 S * 7/2020 Lenz, Jr. D12/172
 D893,366 S 8/2020 Dewitt et al.
 D894,802 S 9/2020 Grand
 D894,803 S * 9/2020 DiCanzio D12/169
 D896,139 S 9/2020 Williams
 D904,244 S * 12/2020 Wood D12/169
 D908,177 S 1/2021 Sprowl et al.
 D908,561 S 1/2021 Harriton et al.
 D908,562 S 1/2021 David et al.
 D909,918 S 2/2021 Langhals et al.
 D910,493 S 2/2021 Langhals et al.
 D918,802 S 5/2021 Huang
 D919,516 S 5/2021 Chi
 D920,194 S 5/2021 Mallicote et al.
 D923,111 S 6/2021 Wood et al.
 D923,113 S 6/2021 Hagler et al.
 2006/0192398 A1 * 8/2006 Buniewicz B60R 19/48
 293/102
 2006/0261613 A1 11/2006 Byers et al.
 2009/0212581 A1 8/2009 Drever
 2009/0302623 A1 * 12/2009 Finney B60R 19/52
 293/115
 2013/0187395 A1 7/2013 Hanson et al.
 2017/0088076 A1 * 3/2017 Fujimoto B60R 19/04
 2017/0247014 A1 8/2017 Farooq et al.
 2017/0349227 A1 12/2017 Spindler et al.
 2018/0072254 A1 3/2018 Wymore
 2019/0337476 A1 11/2019 Hare et al.

FOREIGN PATENT DOCUMENTS

TW D163365 S 10/2014
 TW D168397 S 6/2015
 TW D169825 S 8/2015

OTHER PUBLICATIONS

Summit E-REVO Crawler SP08503 front bumper; Oct. 16, 2008.
 “How Do I Add a Ball Hitch to my RPM Rear Bumper (T/E-Maxx & Revo Bumpers)?” RPM, Jul. 30, 2005 [online], [retrieved on Sep. 12, 1996]. Retrieved from the internet, URL: <http://www.rpmrcproducts.com/faq/add-ball-hitch-rpm-rear-bumper-te-maxx-revo-bumpers/>.
 “Warn 87750 Elite Series Front Bumper with Grill Guard Tube” RPM, Jul. 17, 2013 [online], [retrieved on Sep. 12, 2016]. Retrieved from Internet, URL: https://www.amazon.com/gp/product/B00625F4FI/ref=pd_sim_263_5?ie=UTF8&pd_rd_i=B00625F4FI&pd_rd_r=QN6NZ5WV34ZS00Z3BSGH&pd_rd_w=4XjJD&pd_rd_wg=7Z80V&pvc=1&refRID=QN6NZ5WV34ZS0.
 “Yeah Racing F/R Bumper w/ HD Shackie & LED’s—SCX10, Traxxas.” RC Hobbies, Nov. 12, 2014 [online], [retrieved on Sep. 12, 2016]. Retrieved from the Internet <URL: http://rchoobbies.com.au/store/product_info.php?products_id=80405>.
 Taiwan IPO Search Report; Taiwan Design Patent App No. 105301434; dated Aug. 4, 2016.
 Associated Electrics; “Catalog and Parts Listing for the Monster GT Truck”; 2003; Associated Electrics, Inc., Costa Mesa, California.
 Horizon Hobby; “Team Losi LST Super Truck—Drive Train Assy” exploded view; Horizon Hobby, Inc., Champaign, Illinois.
 HPI Racing, “Savage 21 4WD Giant Monster Truck” p. 56 exploded view; Hobby Products International, Foothill Ranch, California.

Tamiya, “Terra Crusher Parts Breakdown—Front End”; Tamiya America, Inc., Aliso Viejo, California.
 Tamiya, “Wild Willy 2 Parts Breakdown”; 1999, Tamiya America, Inc., Aliso Viejo, California.
 Tamiya, “Wild Willy”; Tamiya America, Inc., Aliso Viejo, California; 1 photograph.
 Traxxas, “T-MAXX Assemblies—Front Assembly”; Traxxas LP, Plano, Texas.
 Axial SCX10 II 2000 Jeep Cherokee; <http://www.axialracing.com/products/ax90047>; Aug. 2016.
 Axial SCX 10 Deadbolt; <http://www.axialracing.com/products/ax90044>; Aug. 2016.
 Traxxas; Bumper support geometry, body mounts, body mount posts; <https://traxxas.com/products/parts/3619>; Oct. 2016.
 Sema 2015 Fab Fours; 2 photos.
 PL6088-00 Front Proline Ridge-Line Bumper (SMAL), Earliest Available Date May 2, 2019 [Online], [Site Visited Oct. 20, 2020] Available From Internet, URL: <https://www.ebay.com/itm/PL6088-00-Front-PROLINE-RIDGE-LINE-BUMPER-SMAL-SET-VOOR-NARROW-ROCK-CRAWLING-/153425968229?_trksid=p2385738.m4383.14275.c10> (Year: 2019).
 Traxxas TRX-4 Winch Front Bumper, Earliest Available Date May 22, 2019 [Online], [Site Visited Oct. 20, 2020] Available From Internet, URL: <https://www.amainhobbies.com/traxxas-trx-4-winch-front-bumper-tra8124/p779826?gclid=EAlalQobChMl0aymroXE7AIVD02GCh0ntA-WEAQYBSABEgJl5_D_BwE> (Year: 2019).
 Bull Bars. (Design—© Questel) orbit.com. [Online PDF compilation of references] 16 pgs. Print Dates Range Oct. 8, 2019-Apr. 14, 2005 [Retrieved Jun. 4, 2021].
 “4 PCS ZD Racing 8481 Front Bumper Set.” Before Jul. 21, 2019. Banggood. https://www.banggood.com/4PCS-ZD-Racing-8481-Front-Bumper-Set-for-9116-08427-9021-V3-1-or-8-RC-Car-Parts-p-1528272.html?cur_warehouse=CN (Year: 2019).
 Onorato, Paul. “3 Must-See Pro-Line Traxxas Slash Builds that Anyone Can Do!” Apr. 29, 2019. RC Driver <https://www.rcdriver.com/3-must-see-pro-line-traxxas-slash-builds-that-anyone-can-do/> (Year: 2019).
 “Traxxas Trx4 Aluminum Front Bumper (GPM Racing Product) Adding Extra Weight to the Front—RC Overdose.” Jan. 31, 2018. YouTube. https://www.youtube.com/watch?v=_wui5f_k1eY (Year: 2018).
 Traxxas 8990 Complete Waterproof LED Light Bar Kit, Nov. 14, 2019, amazon.com, Dec. 15, 2021, URL: <https://www.amazon.com/Traxxas-8990-LED-Light-Kit/dp/B07YGR7GLT> (Year: 2019).
 Traxxas 7735 X-Maxx Front Bumper, Jan. 5, 2016, amazon.com, Dec. 15, 2021, URL: <https://www.amazon.com/Traxxas-7735-X-Maxx-Front-Bumper/dp/B01A6Z06HU/> (Year: 2016).
 TF2 Mojave ARB—Deluxe Metal Front Bumper Assembly, Earliest Available Date Oct. 22, 2020 [Online], [Site Visited Oct. 22, 2020] Available From Internet, URL: <<https://www.aliexpress.com/i/4000118857581.html>> (Year: 2020).
 Traxxas 5834 Front Bumper Mount Front Adapter 2WD Slash 4x4, Earliest Available Date Jul. 15, 2020 [Online], [Site Visited Oct. 22, 2020] Available From Internet, URL: <https://www.ebay.com/itm/Traxxas-5834-Front-Bumper-Mount-Front-Adapter-2WD-Slash-4x4-/174332832512?_trksid=p2385738.m4383.14275.c10> (Year: 2020).
 Traxxas TRA6736 Bumper, Front/ Bumper Support, Earliest Available Date Oct. 22, 2020 [Online], [Site Visited Oct. 22, 2020] Available From Internet, URL: <<https://amazon.com/Traxxas-TRA6736-Bumper-Front-Support/dp/B07HJF56V1#customerReviews>> (Year: 2020).

* cited by examiner

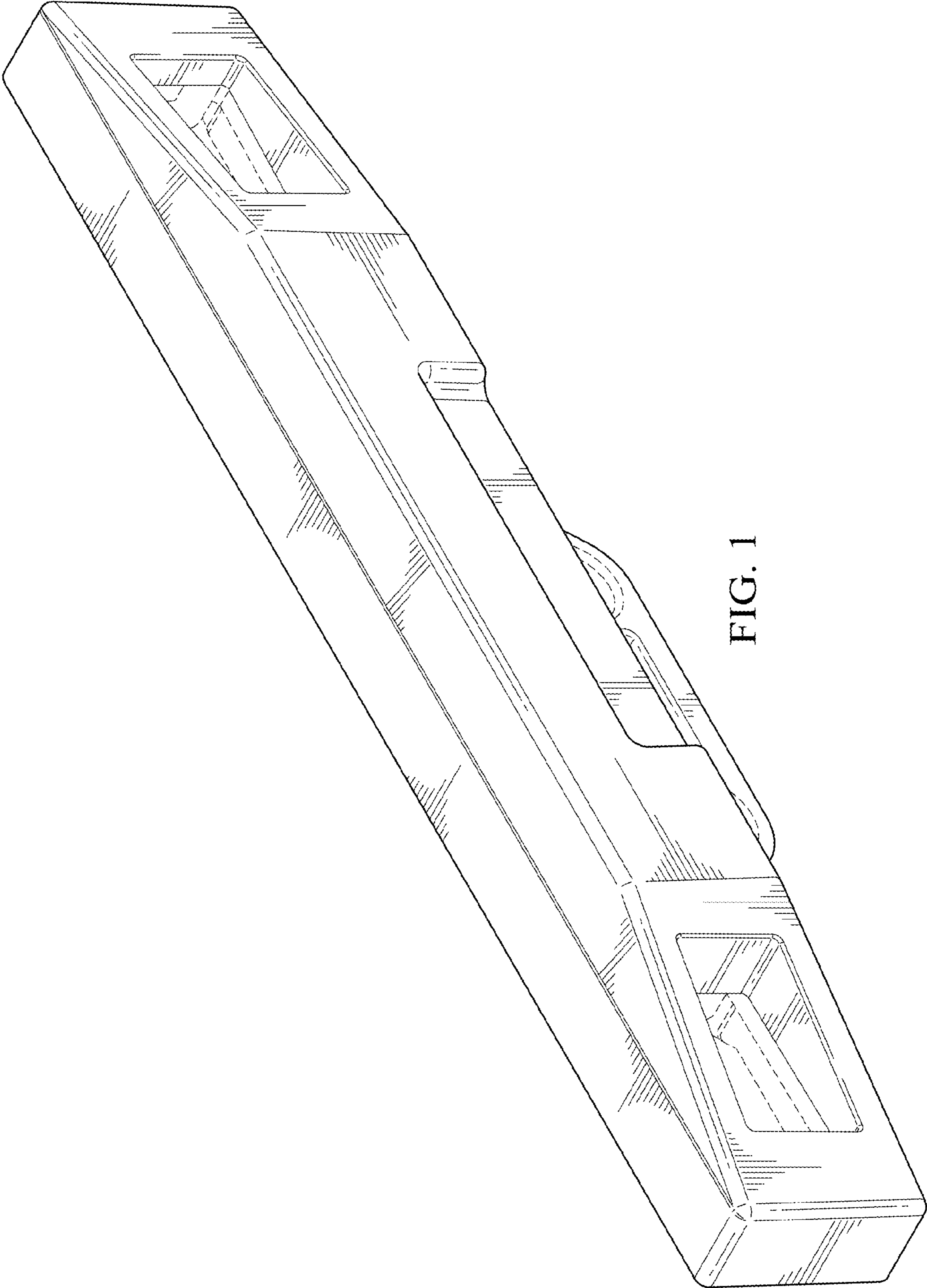


FIG. 1

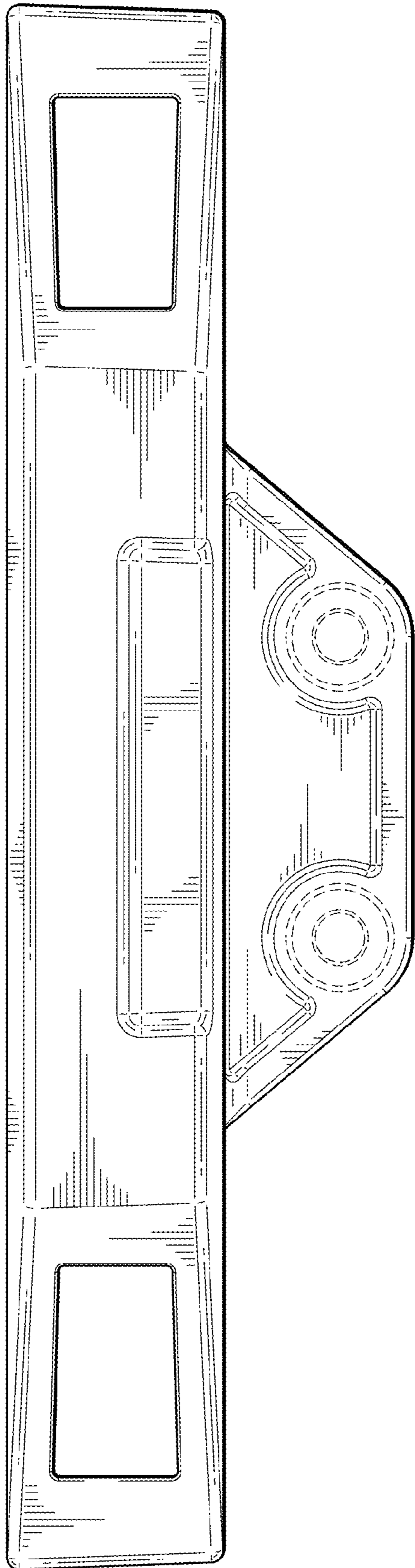


FIG. 2

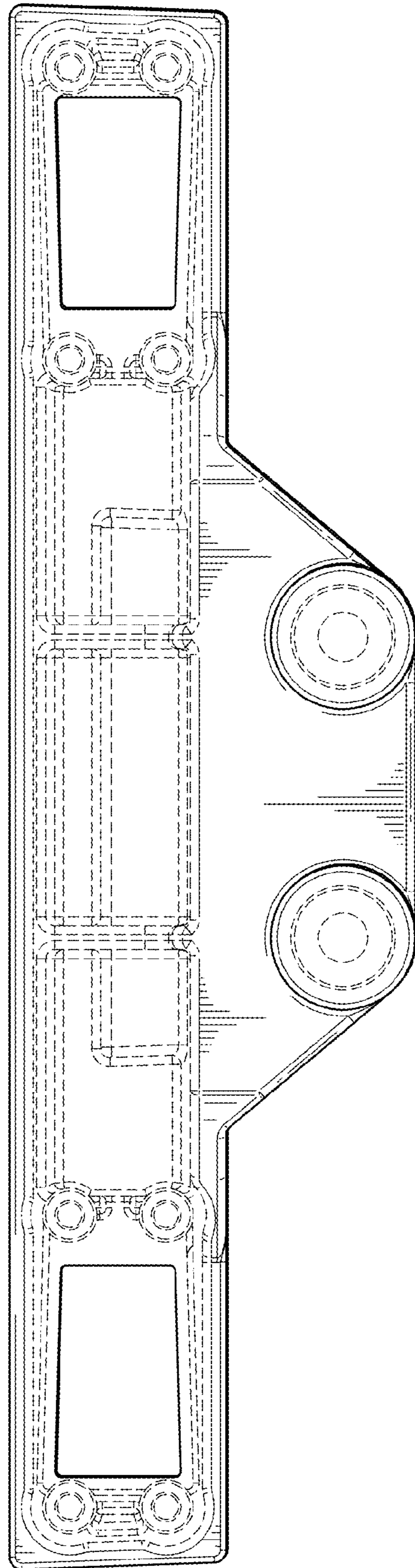


FIG. 3

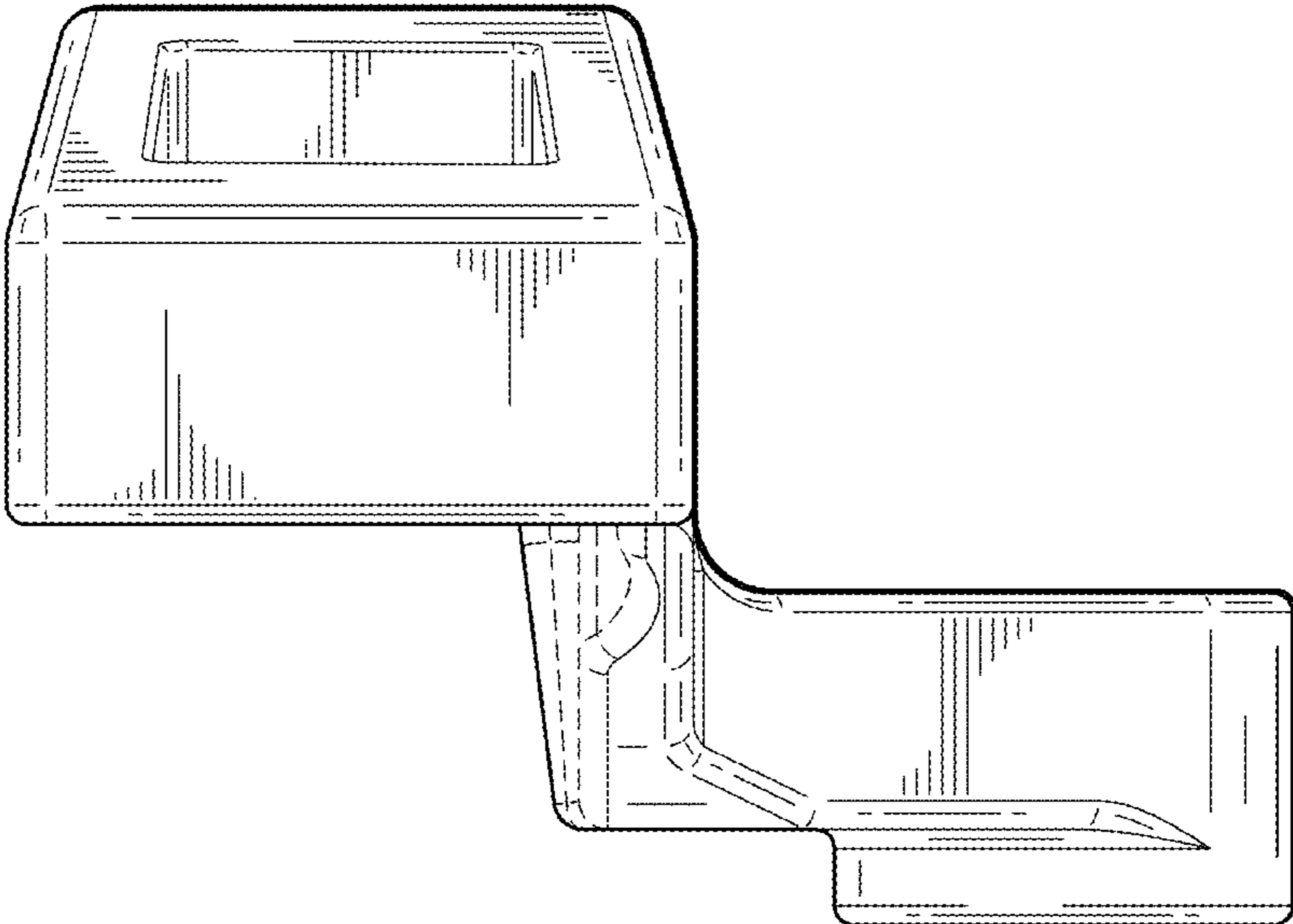


FIG. 5

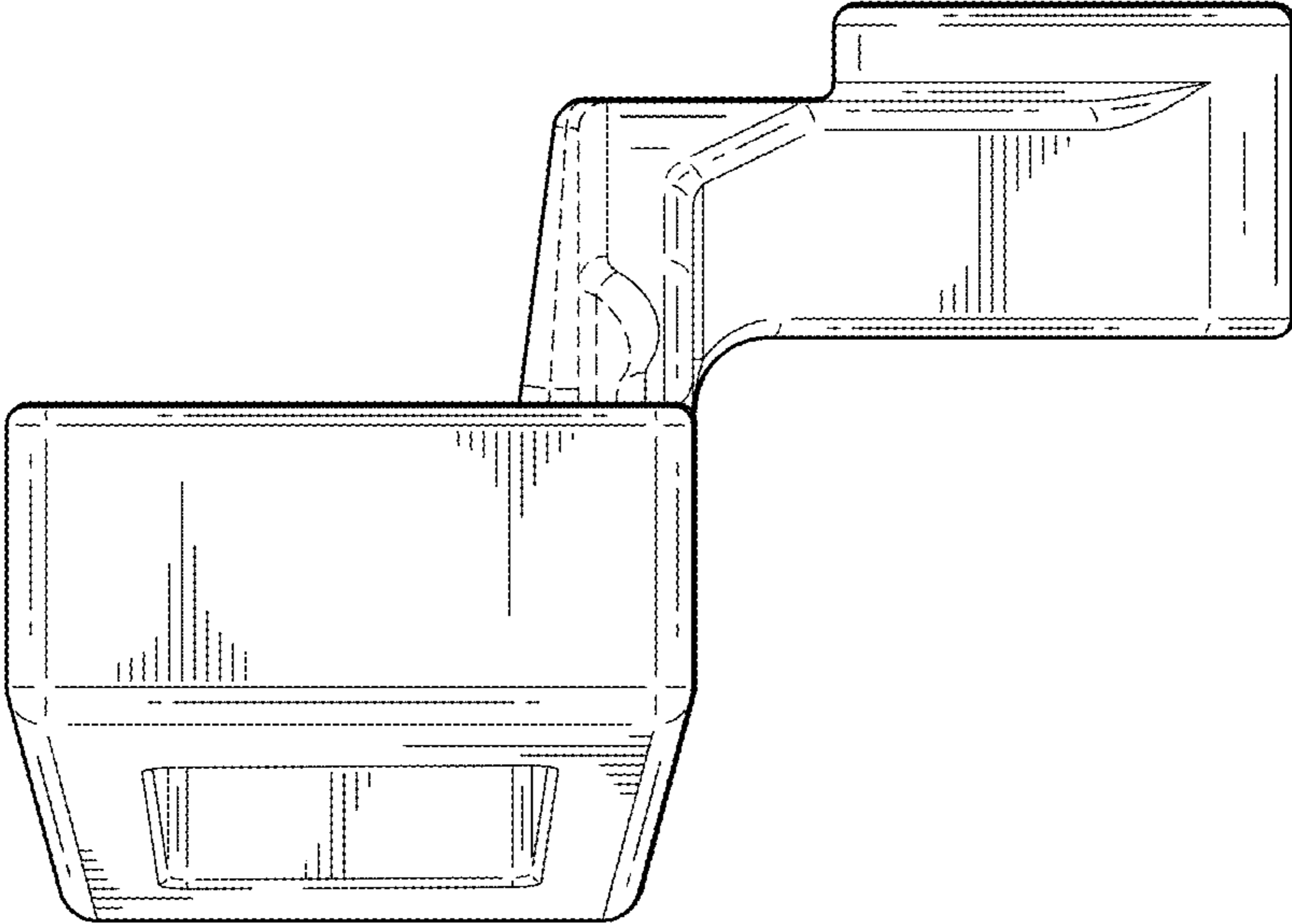


FIG. 4

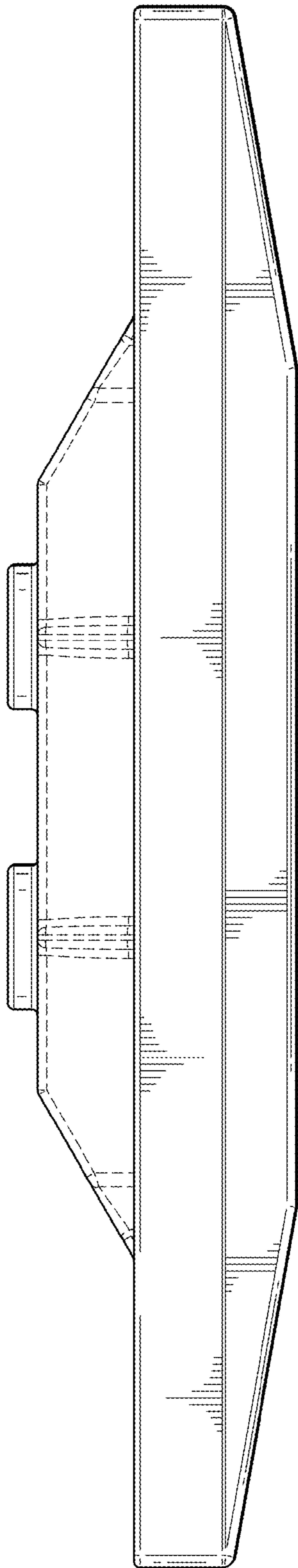


FIG. 6

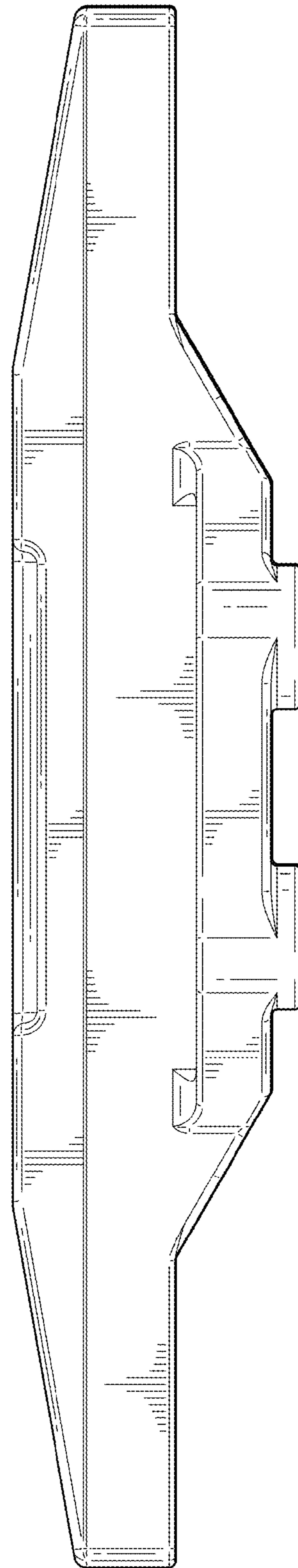


FIG. 7

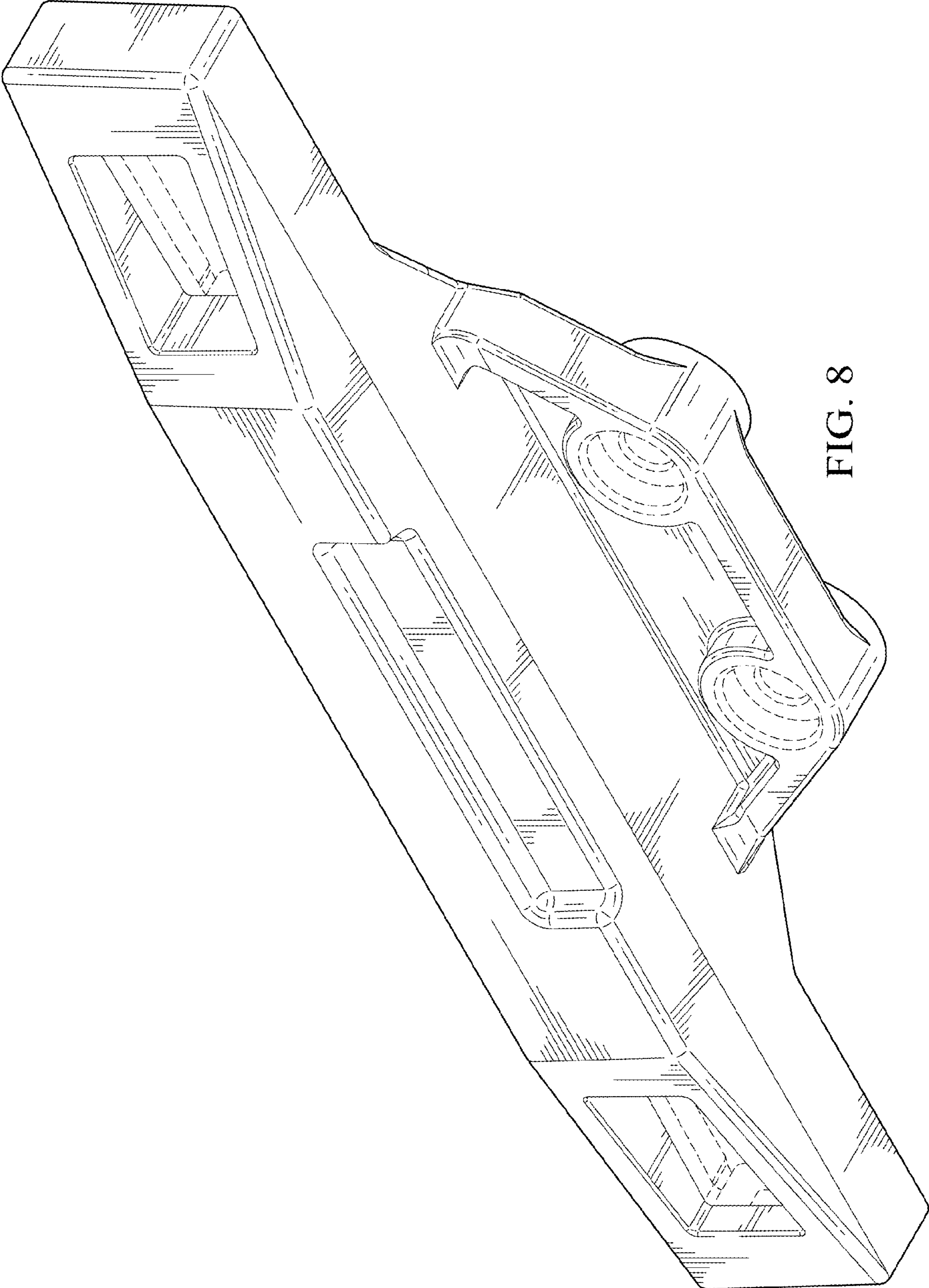


FIG. 8