

US00D945331S

(12) **United States Design Patent** (10) **Patent No.:** **US D945,331 S**
Koo (45) **Date of Patent:** **** Mar. 8, 2022**

(54) **FRONT BUMPER FOR AUTOMOBILE**

(71) Applicant: **HONDA MOTOR CO., LTD.**, Tokyo (JP)

(72) Inventor: **Jaryong Koo**, Torrance, CA (US)

(73) Assignee: **HONDA MOTOR CO., LTD.**, Tokyo (JP)

(**) Term: **15 Years**

(21) Appl. No.: **29/744,452**

(22) Filed: **Jul. 29, 2020**

(51) **LOC (13) Cl.** **12-16**

(52) **U.S. Cl.**
USPC **D12/169**

(58) **Field of Classification Search**
USPC D12/169, 163, 196, 86, 90-92;
296/180.1, 180.2; 293/102, 113, 115,
293/117, 120
CPC B60R 19/52; B60R 2019/25; B62D 25/084
See application file for complete search history.

(56) **References Cited**

U.S. PATENT DOCUMENTS

D666,539 S *	9/2012	Koizumi	D12/169
D721,021 S *	1/2015	Hanaoka	D12/169
D733,624 S *	7/2015	Morikawa	D12/169
D773,965 S *	12/2016	Morikawa	D12/169
D783,472 S *	4/2017	Ishii	D12/169
D811,290 S *	2/2018	Ishii	D12/169
D811,291 S *	2/2018	Ishigaki	D12/169
D824,818 S *	8/2018	Morikawa	D12/169
D826,113 S *	8/2018	Kanai	D12/169
D835,549 S *	12/2018	Tamura	D12/169

D840,883 S *	2/2019	Cartabiano	D12/169
D841,537 S *	2/2019	Morikawa	D12/169
D866,418 S *	11/2019	Peplowski	D12/169
D879,681 S *	3/2020	Melville-Brown	D12/169
D890,651 S *	7/2020	Peplowski	D12/169
D913,872 S *	3/2021	Murakami	D12/169
D919,504 S *	5/2021	Schmeckpeper	D12/169
D923,534 S *	6/2021	Kaoud	D12/169
D924,752 S *	7/2021	Park	D12/169
D932,387 S *	10/2021	Montoya Bueloni	D12/169

* cited by examiner

Primary Examiner — Melody N Brown

(74) *Attorney, Agent, or Firm* — Westerman, Hattori, Daniels & Adrian, LLP

(57) **CLAIM**

The ornamental design for a front bumper for automobile, as shown and described.

DESCRIPTION

FIG. 1 is a front perspective view of a front bumper for automobile, showing my new design;
FIG. 2 is a front elevational view thereof;
FIG. 3 is a rear elevational view thereof;
FIG. 4 is a top plan view thereof;
FIG. 5 is a bottom plan view thereof;
FIG. 6 is a left side elevational view thereof; and,
FIG. 7 is a right side elevational view thereof.

The claimed design is indicated by the relatively dark portions in the figures, while the relatively light portions are environmental structures and form no part of the claimed design. The bottom portion and the rear surface of the bumper shown in a faded out de-emphasized and half-tone form are for environmental and illustrative purposes and form no part of the claimed design.

1 Claim, 7 Drawing Sheets

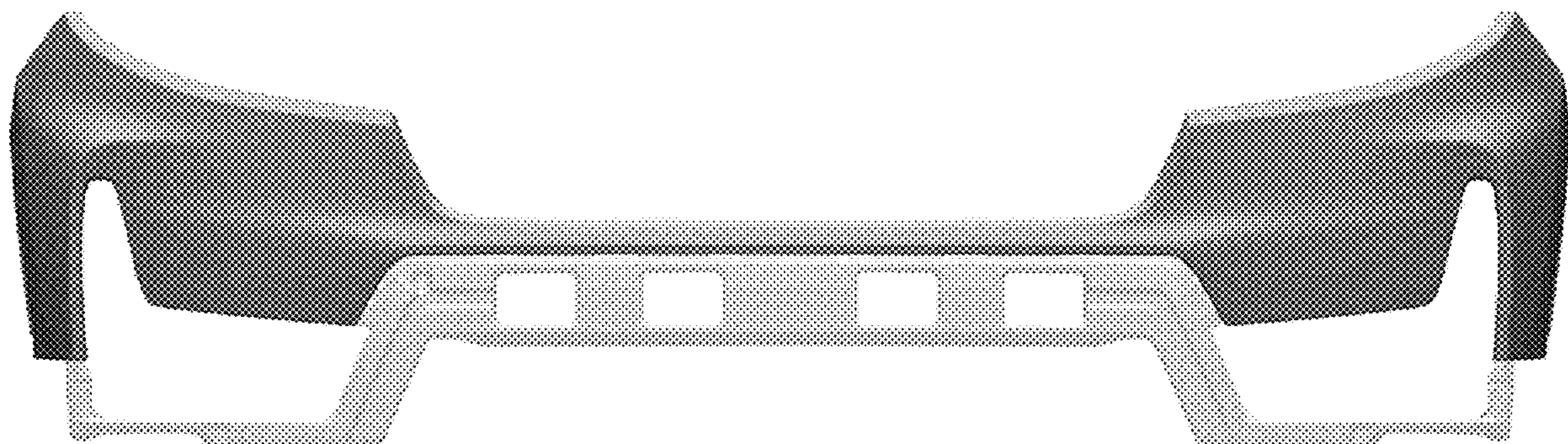


FIG. 1

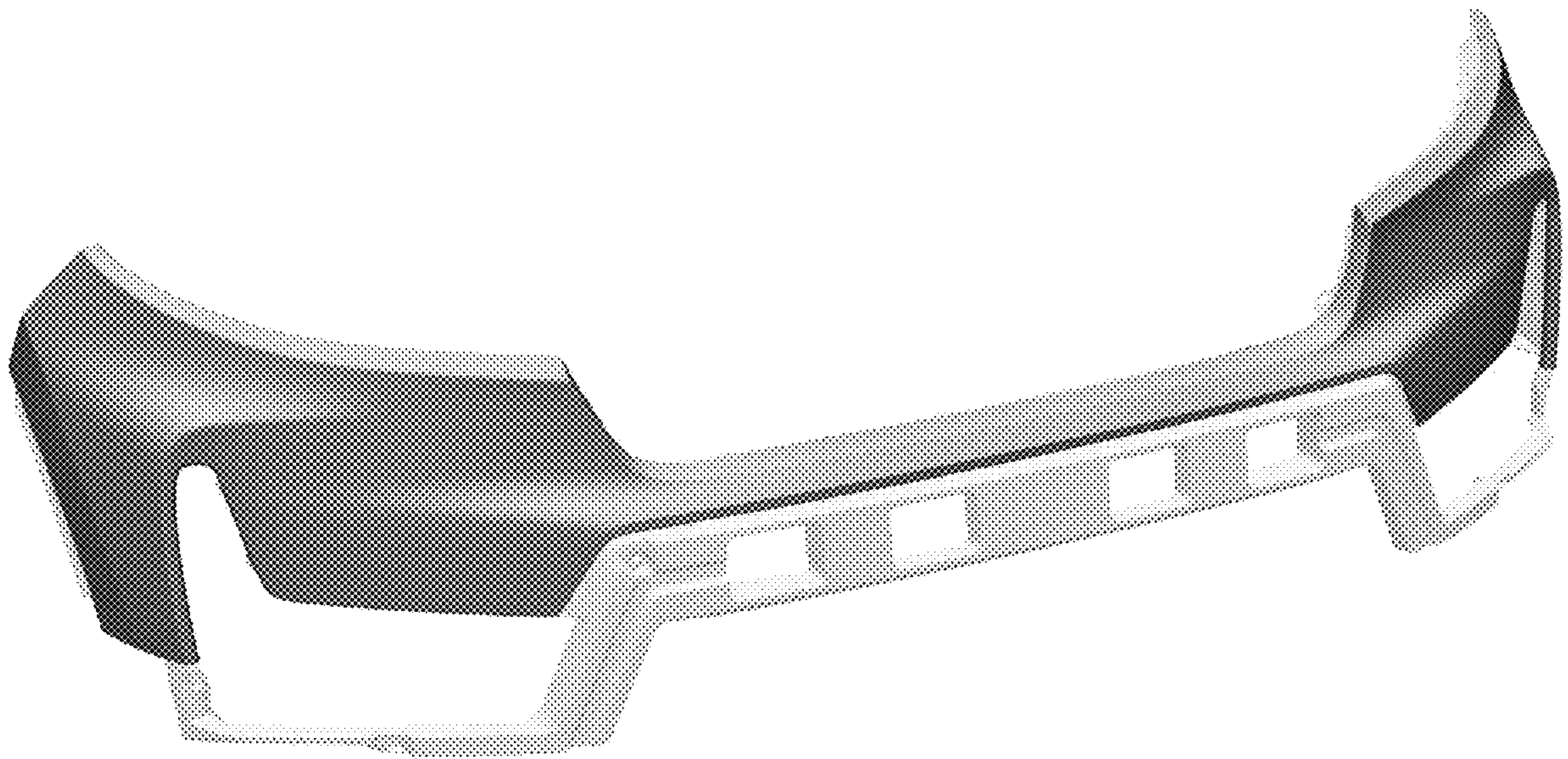


FIG. 2

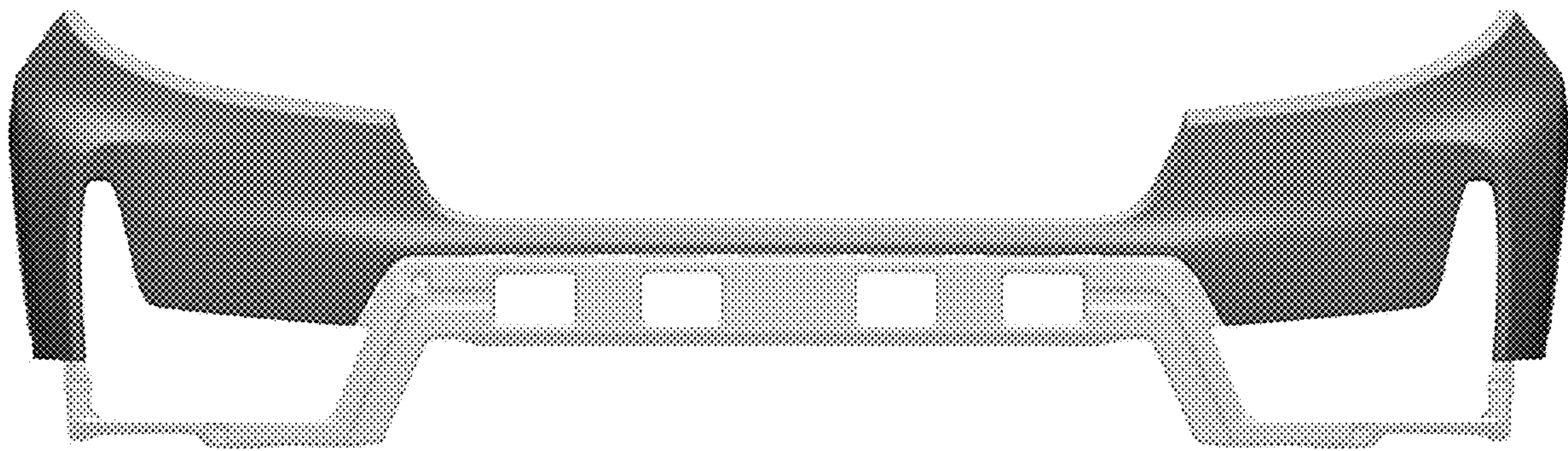


FIG. 3

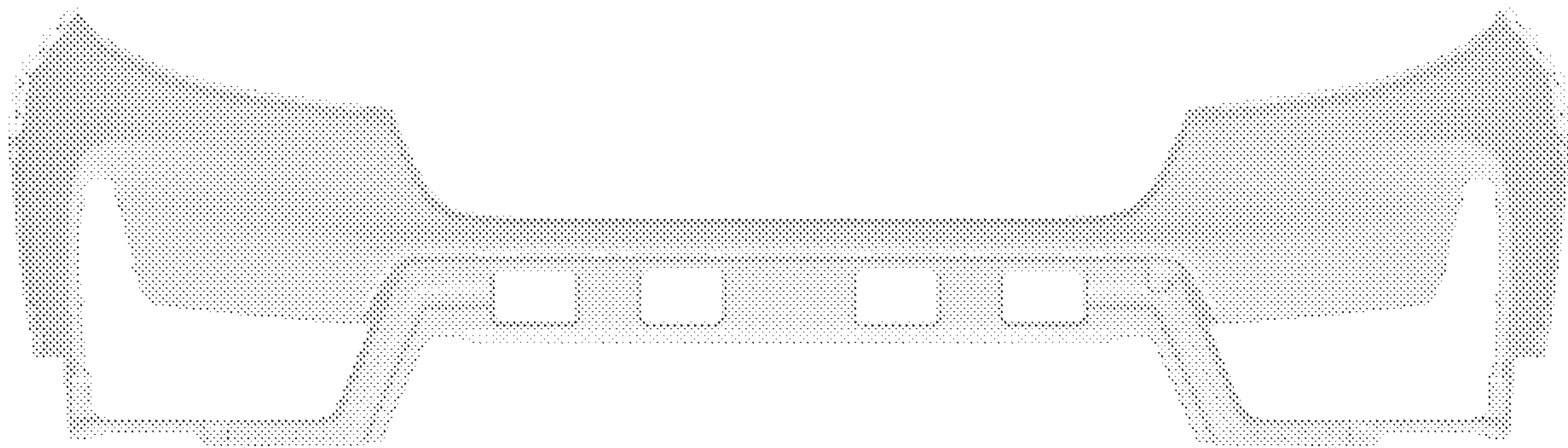


FIG. 4

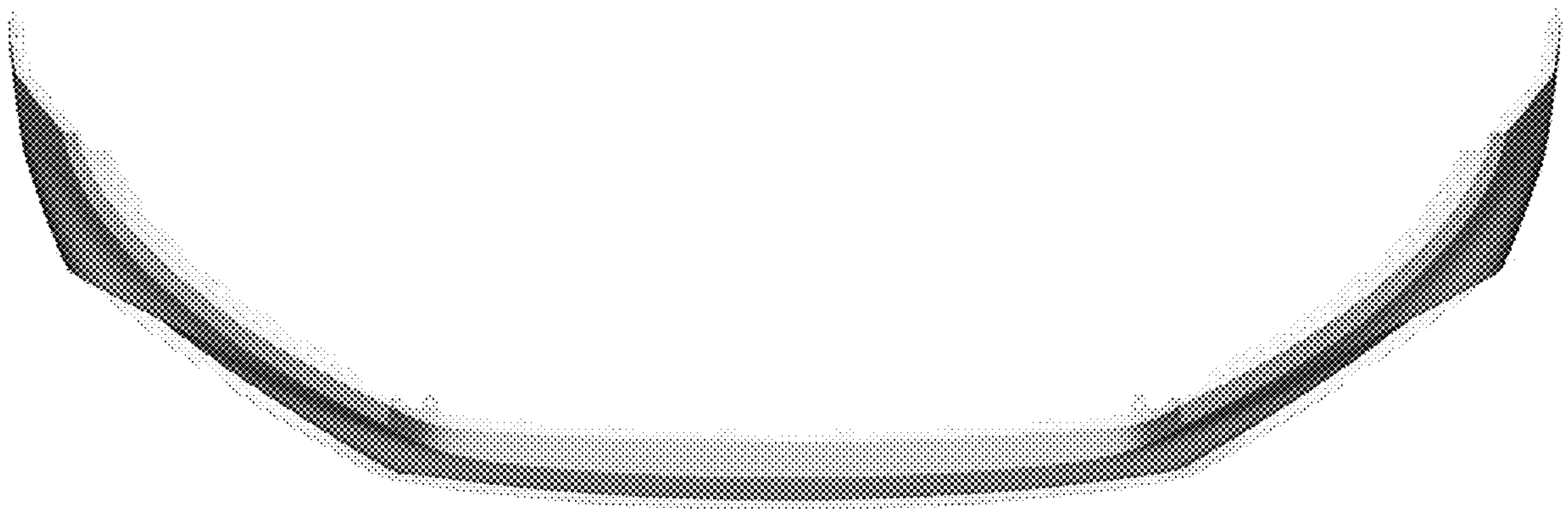


FIG. 5



FIG. 6

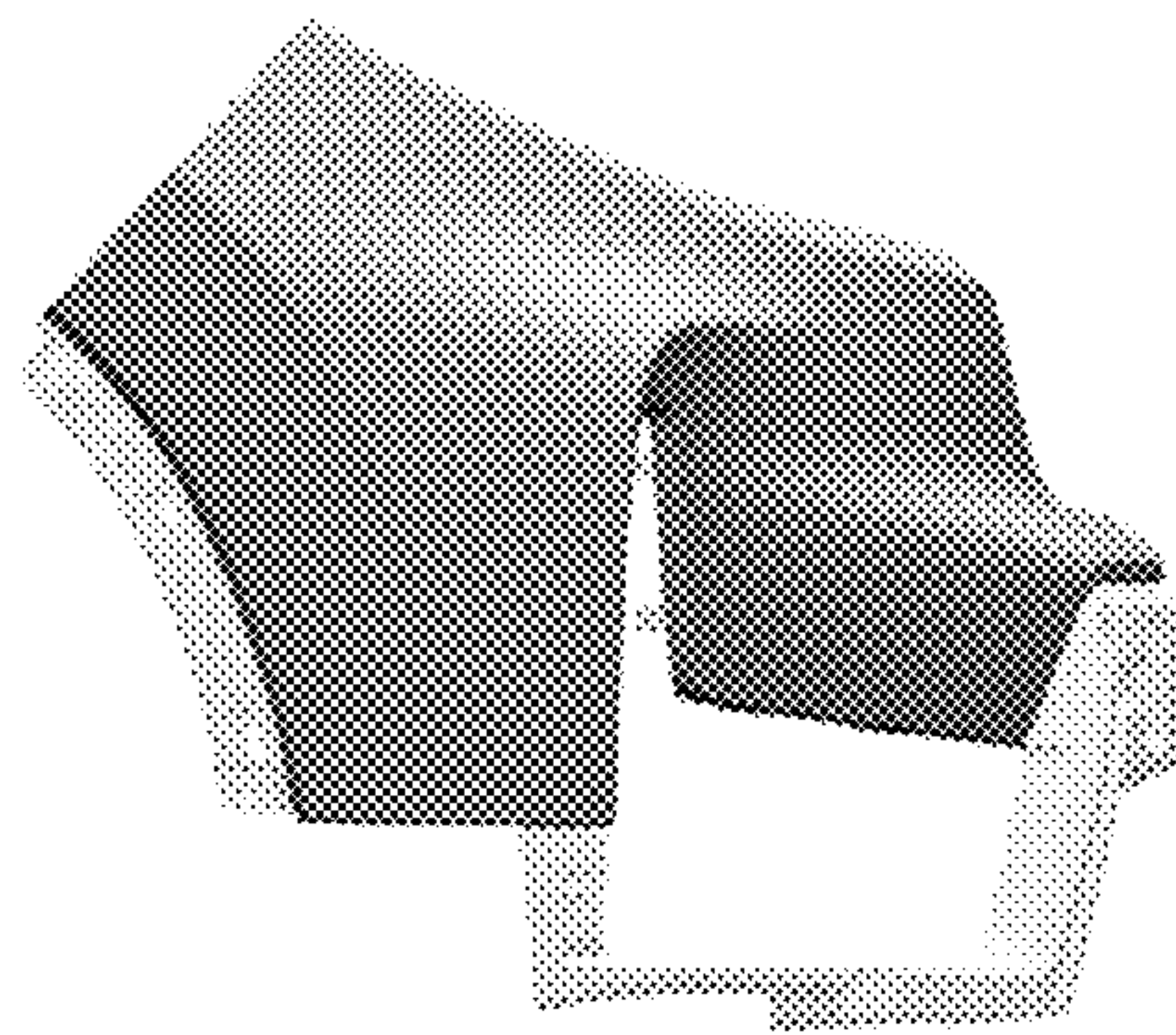


FIG. 7

