



US00D945330S

(12) **United States Design Patent**
Ischepp

(10) **Patent No.:** **US D945,330 S**
(45) **Date of Patent:** **** Mar. 8, 2022**

(54) **ELECTRIC BICYCLE**

- (71) Applicant: **GREYP BIKES d.o.o.**, Sveta Nedelja (HR)
- (72) Inventor: **Marc Ischepp**, Graz (AT)
- (73) Assignee: **GREYP BIKES D.O.O.**, Sveta Nedelja (HR)
- (**) Term: **15 Years**

(21) Appl. No.: **29/728,807**

(22) Filed: **Mar. 20, 2020**

(51) **LOC (13) Cl.** **12-11**

(52) **U.S. Cl.**
USPC **D12/111**

(58) **Field of Classification Search**
USPC D12/110, 111, 117, 406, 407
CPC . B62K 3/00; B62K 3/005; B62K 9/00; B62K 19/00; B62K 19/02; B62K 19/04; B62K 19/06; B62K 19/16
See application file for complete search history.

(56) **References Cited**

U.S. PATENT DOCUMENTS

D294,338 S *	2/1988	Yamada	D12/110
D430,070 S *	8/2000	Kciuk	D12/111
D670,208 S *	11/2012	Frenzel	D12/111
D685,683 S *	7/2013	Shaw	D12/111
D686,540 S *	7/2013	Hinderhofer	D12/111
D694,156 S *	11/2013	Taipalus	D12/111
D833,333 S *	11/2018	Yu	D12/111
D850,982 S *	6/2019	Zhu	D12/111
D850,983 S *	6/2019	Zhu	D12/111
D879,668 S *	3/2020	Wu	D12/111
D920,853 S *	6/2021	von Schoning	D12/111
2013/0001000 A1 *	1/2013	Krieger	B62M 6/45 180/206.3

OTHER PUBLICATIONS

“Bike Review: Greyp G6.2 Expert FS” Electric Bike Action Magazine., posted date Oct. 7, 2019 [online], [retrieved on Jun. 17, 2021]. Retrieved from the Internet <<https://electricbikeaction.com/bike-review-greyp-g6-2-expert-fs/>> (Year: 2019).*

“Greyp G6.2 Expert FS review” Velo News., posted date Nov. 10, 2020 [online], [retrieved on Jun. 17, 2021]. Retrieved from the Internet <<https://www.velonews.com/gear/mountain-gear/greyp-g6-2-expert-fs-review/>> (Year: 2020).*

“G6.2 Expert FS” GreyP., posted date Mar. 15, 2019 [online], [retrieved on Jun. 17, 2021]. Retrieved from the Internet <<https://www.greyp.com/emtb/g6/g62-expert-fs/>> (Year: 2019).*

* cited by examiner

Primary Examiner — Darlington Ly
Assistant Examiner — Nasim Abdulaziz Ali
 (74) *Attorney, Agent, or Firm* — Cantor Colburn LLP

(57) **CLAIM**

The ornamental design for an electric bicycle, as shown and described.

DESCRIPTION

FIG. 1 is a front and left side perspective view of an electric bicycle embodying my new design;
 FIG. 2 is a left side elevation view thereof;
 FIG. 3 is a right side elevation view thereof;
 FIG. 4 is a front elevation view thereof;
 FIG. 5 is a back elevation view thereof;
 FIG. 6 is a top plan view thereof; and,
 FIG. 7 is a bottom plan view thereof.
 The broken lines in the drawings illustrate portions of the electric bicycle that form no part of the claimed design.

1 Claim, 6 Drawing Sheets



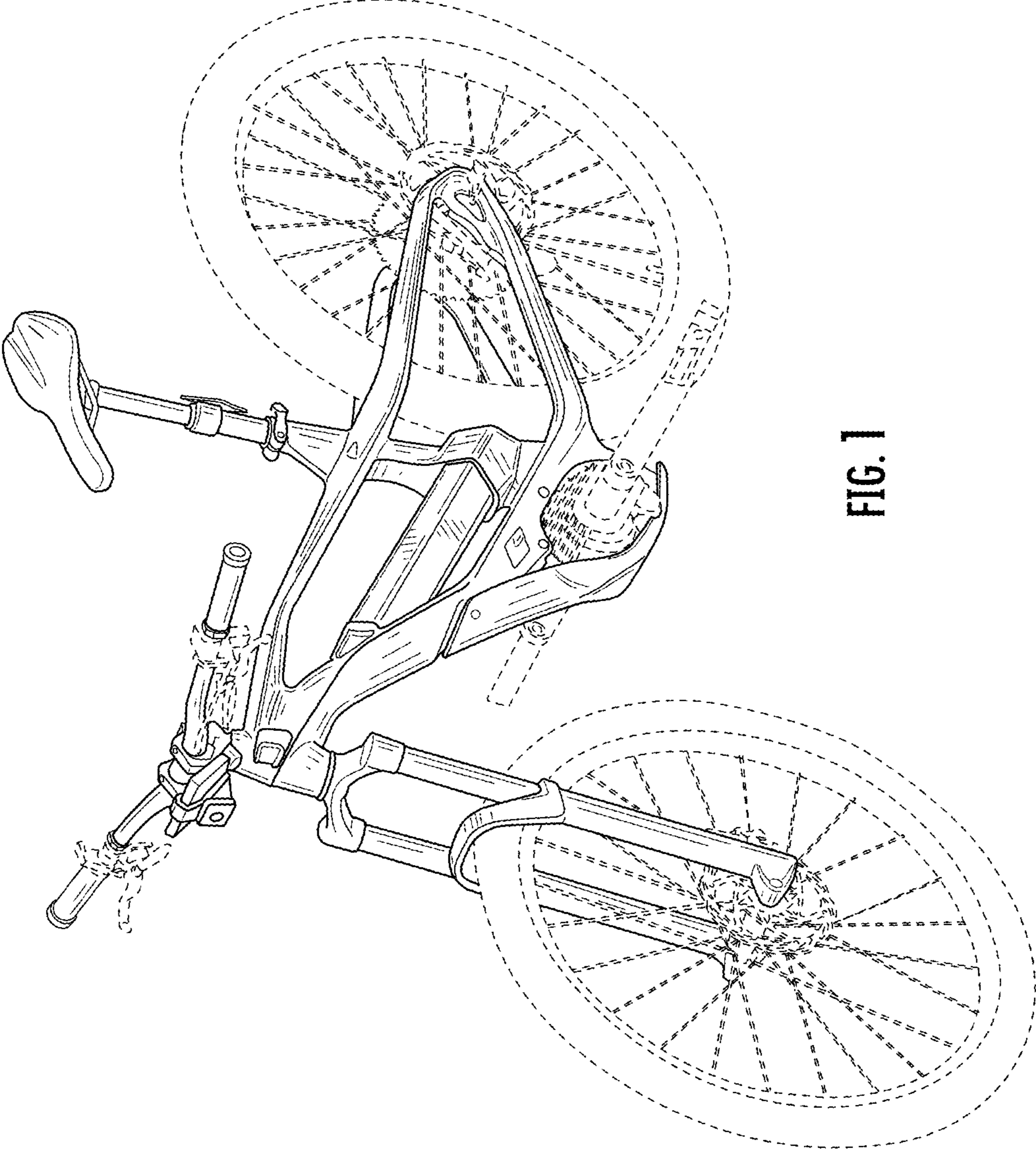


FIG. 1

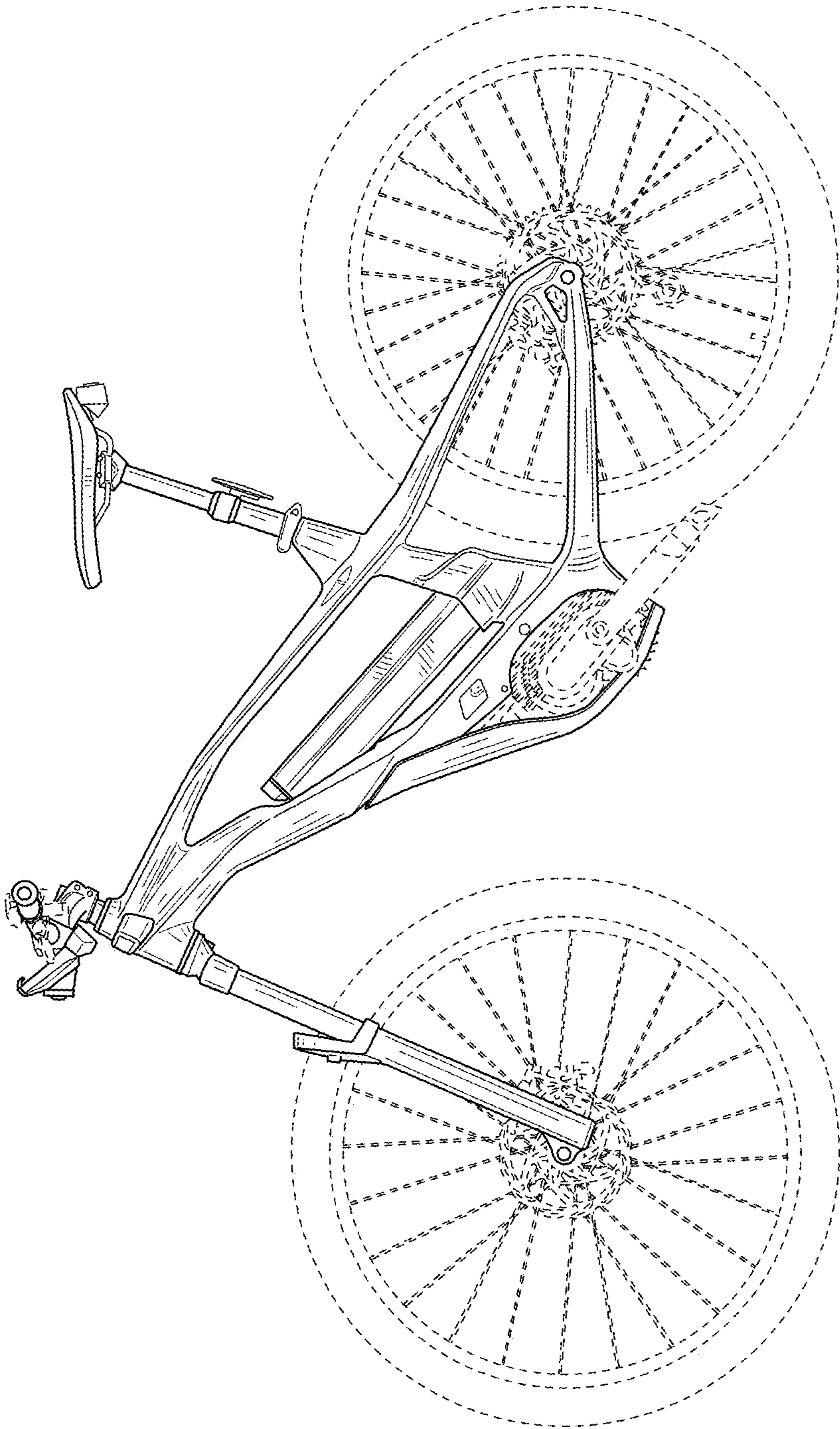


FIG. 2

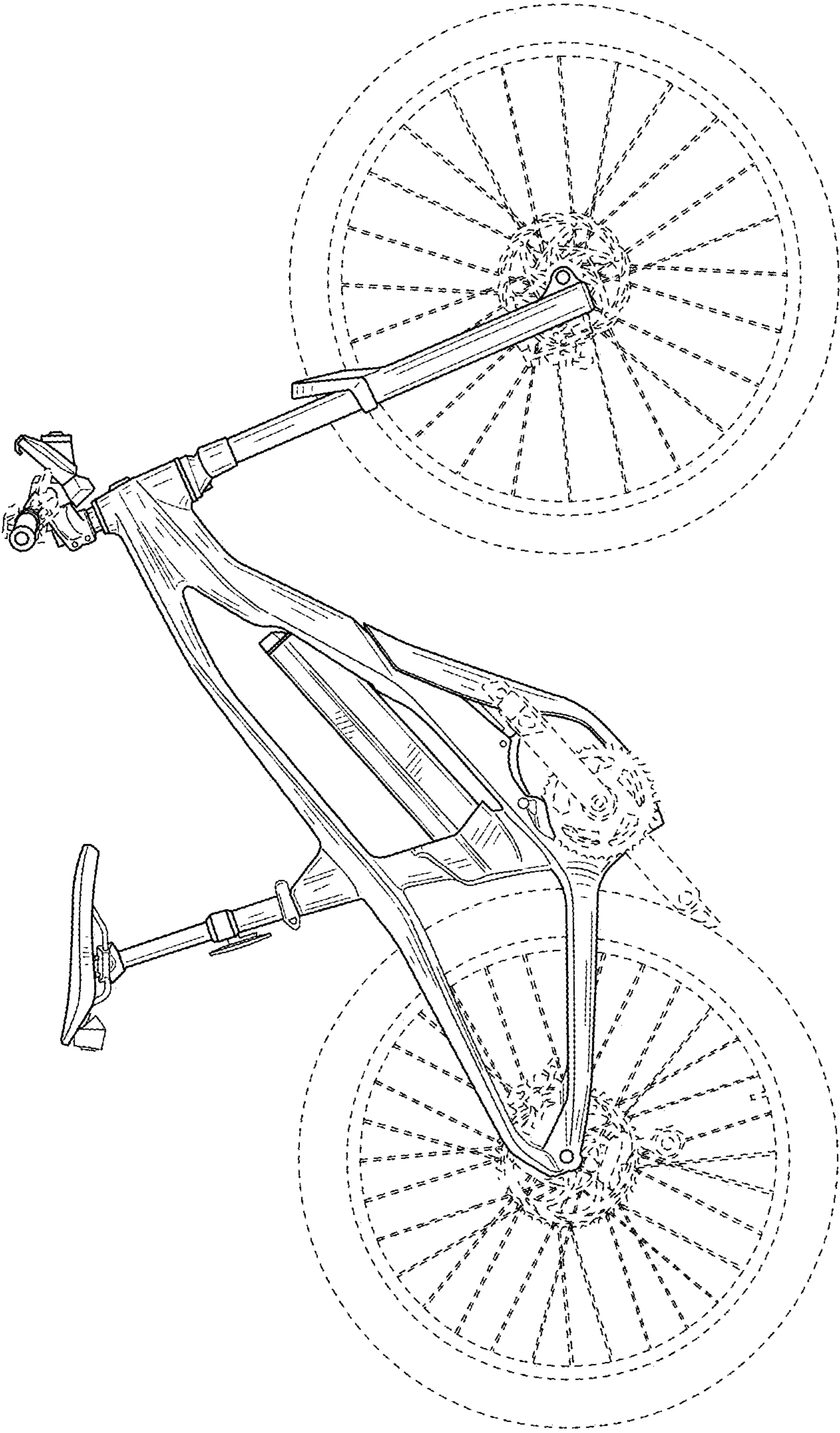


FIG. 3

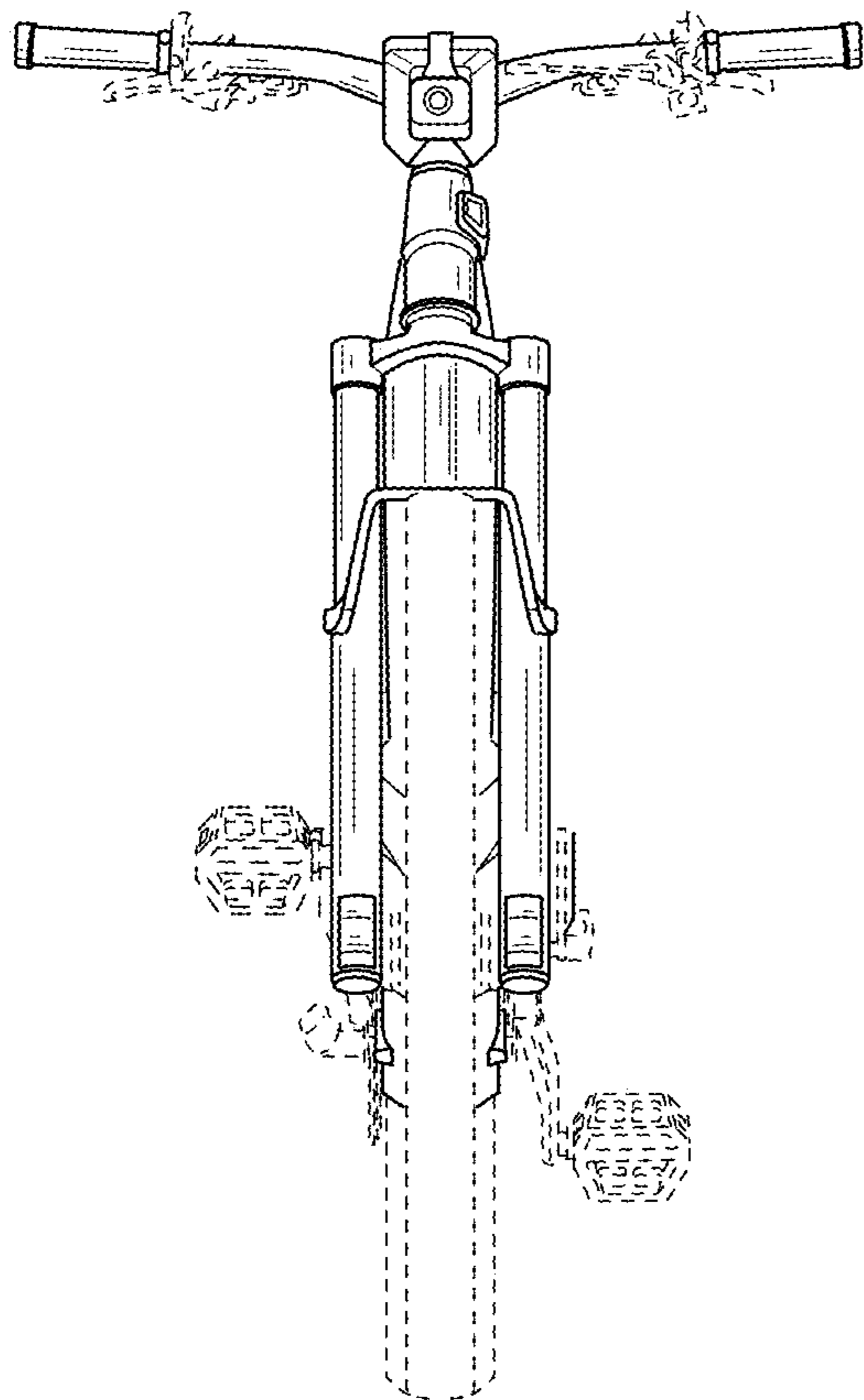


FIG. 4

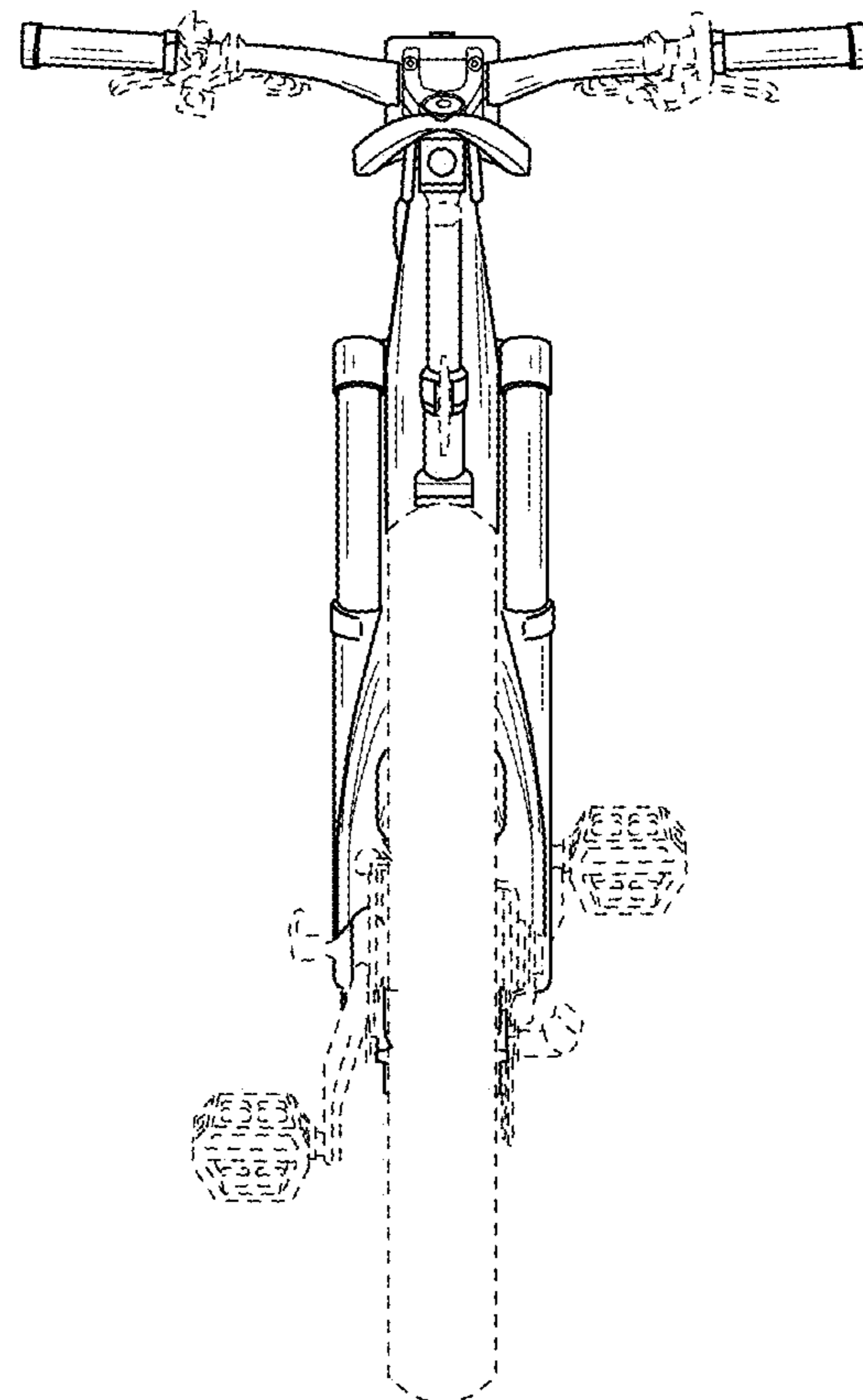


FIG. 5

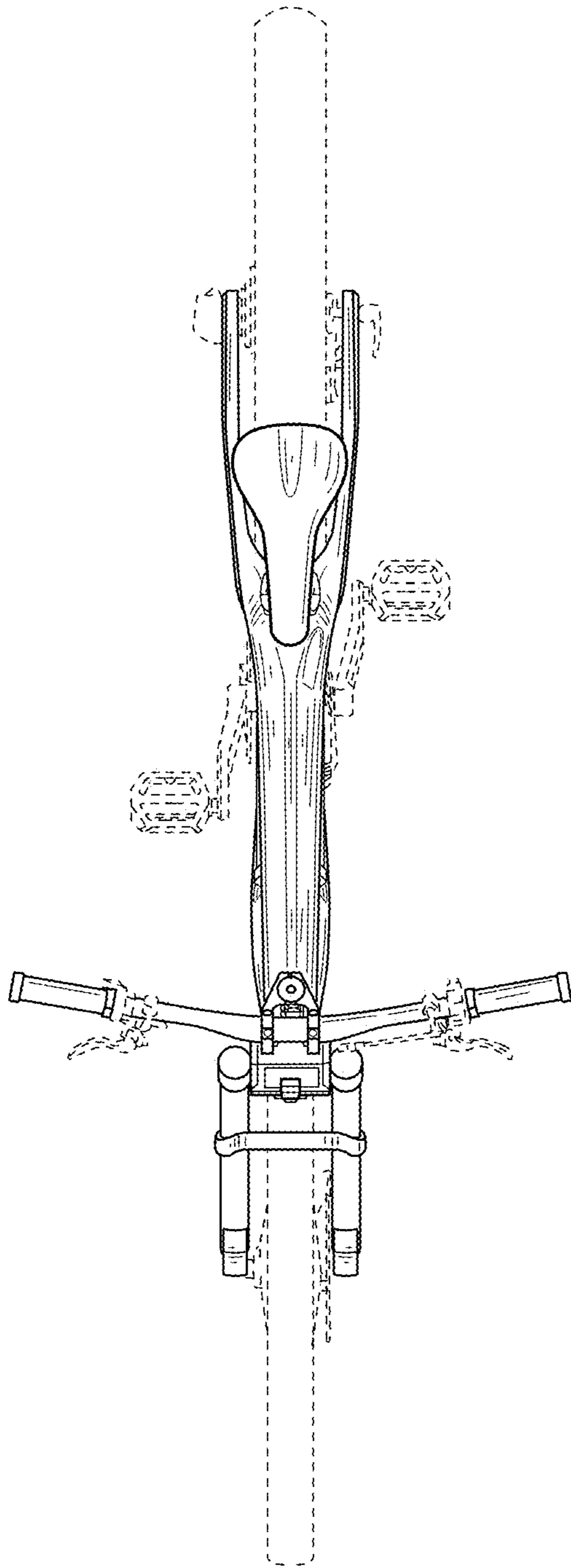


FIG. 6

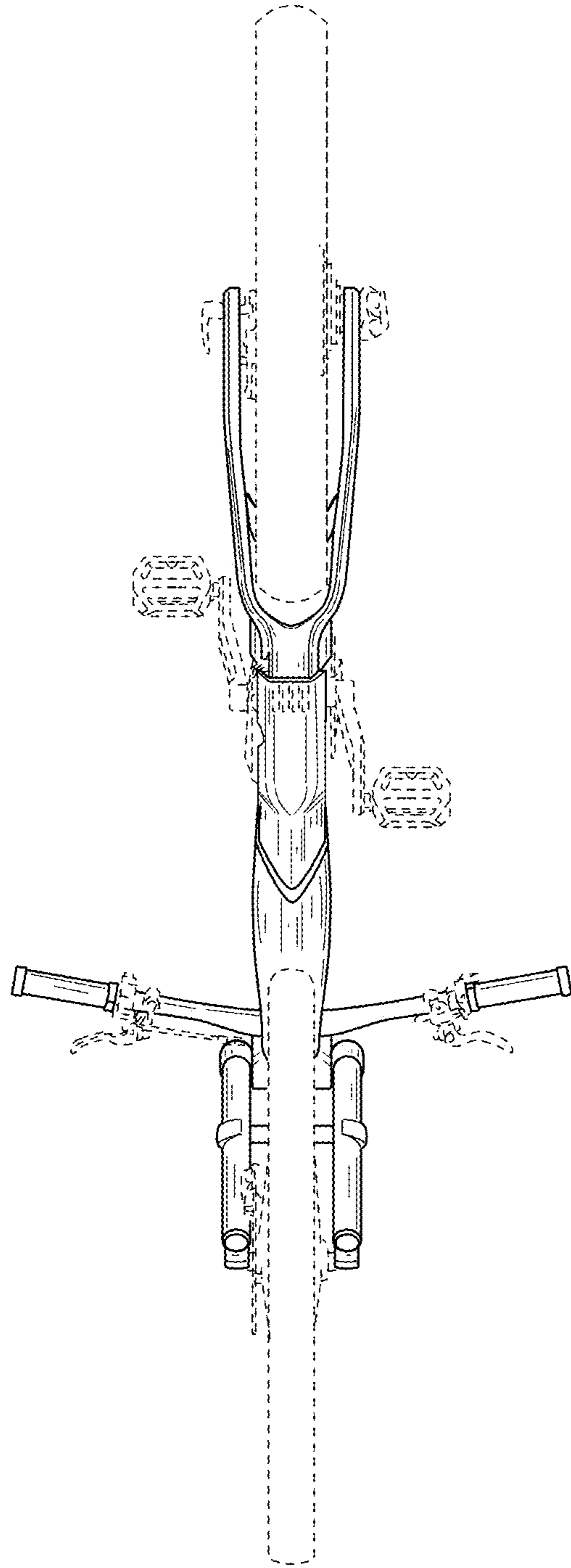


FIG. 7