



US00D945326S

(12) **United States Design Patent** (10) **Patent No.:** **US D945,326 S**
Ecuyer et al. (45) **Date of Patent:** **** Mar. 8, 2022**

(54) **MOTOR VEHICLE (PICK UP TRUCK)**

D458,188 S 6/2002 Wyszogrod et al.
D458,189 S 6/2002 Wyatt
D458,871 S 6/2002 Honda et al.

(71) Applicant: **INEOS Automotive Limited**,
Lyndhurst (GB)

(Continued)

(72) Inventors: **Toby Ecuyer**, Lyndhurst (GB);
Sebastian Ide, Böblingen (DE)

FOREIGN PATENT DOCUMENTS

CN 303635562 S 4/2016
CN 303772200 S 8/2016

(73) Assignee: **INEOS Automotive Limited**,
Lyndhurst (GB)

(Continued)

(**) Term: **15 Years**

OTHER PUBLICATIONS

(21) Appl. No.: **29/761,261**

Mahindra Thar 2.5 CRDe 2011 jpg—Wikimedia Commons, available at least as of Oct. 26, 2010, available from Internet, <URL:https://commons.wikimedia.org/wiki/File:Mahindra_Thar_2.5_CRDe_2011.jpg>.

(22) Filed: **Dec. 8, 2020**

(Continued)

(30) **Foreign Application Priority Data**

Jun. 8, 2020 (EM) 007988274

(51) **LOC (13) Cl.** **12-08**

(52) **U.S. Cl.**
USPC **D12/98**

(58) **Field of Classification Search**
USPC D12/86, 90–92, 164, 98; D21/424, 433,
D21/434, 533; 296/181.1, 181.5, 181.3,
296/183.1, 37.6

CPC B60R 9/06; B62D 35/00
See application file for complete search history.

Primary Examiner — Melody N Brown

(74) *Attorney, Agent, or Firm* — Fross Zelnick Lehrman & Zissu, P.C.; Charles T. J. Weigell, Esq.

(57) **CLAIM**

The ornamental design for a motor vehicle (pick-up truck), as shown and described.

DESCRIPTION

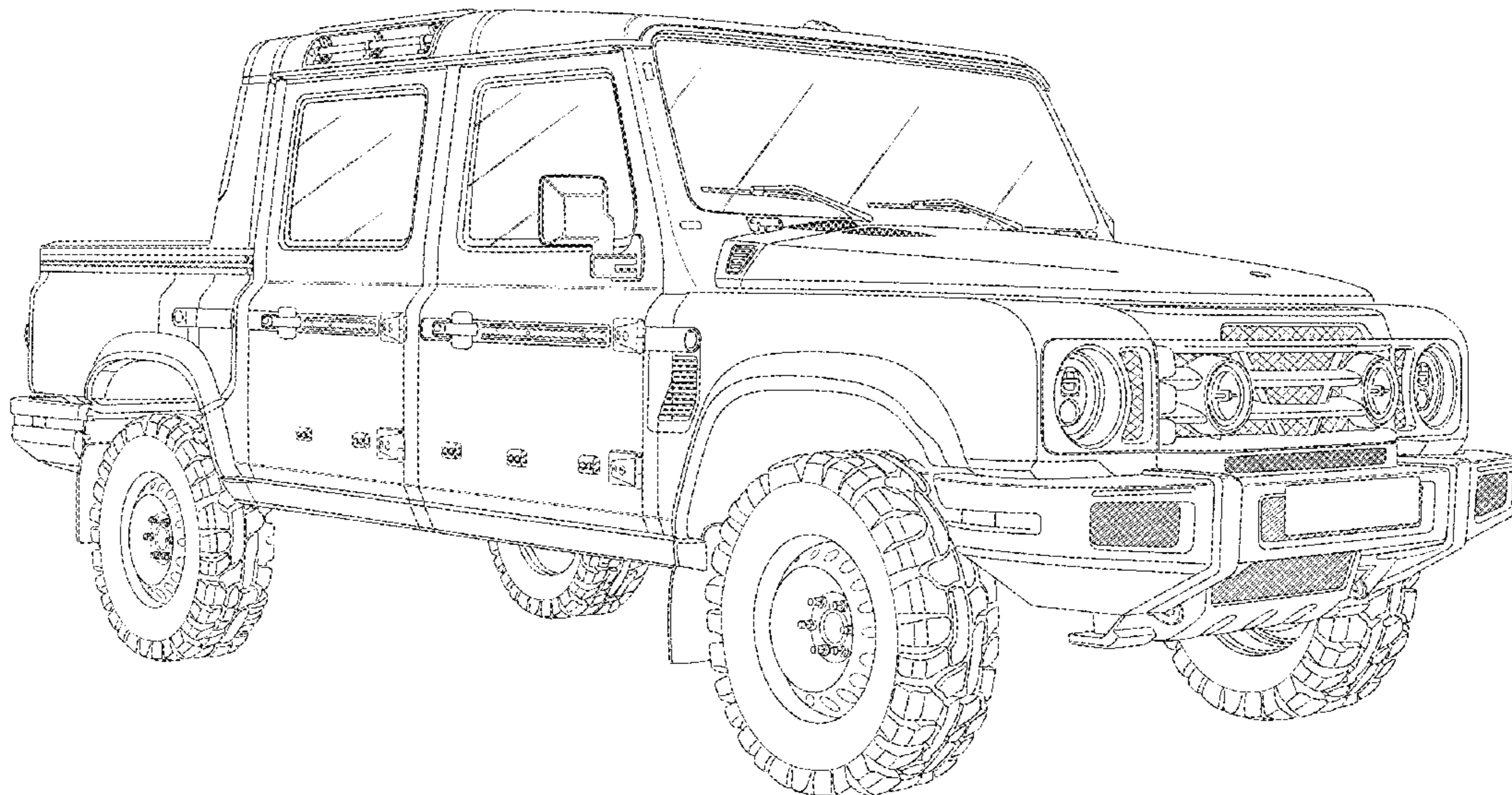
FIG. 1 is a front elevational view of a motor vehicle (pick-up truck) showing our new design;
FIG. 2 is a rear elevational view thereof;
FIG. 3 is a right side elevational view thereof;
FIG. 4 is a rear and left side perspective view thereof;
FIG. 5 is a top, front and right side perspective view thereof;
FIG. 6 is a top, rear and right side perspective view thereof;
FIG. 7 is an enlarged fragmentary detail right side perspective view thereof;
FIG. 8 is a front and right side perspective view thereof; and,
FIG. 9 is a bottom plan view thereof.

(56) **References Cited**

U.S. PATENT DOCUMENTS

D357,213 S 4/1995 Hunter et al.
D374,415 S 10/1996 Thomson
D401,185 S 11/1998 McGovern
D419,919 S 2/2000 McGovern
D439,203 S 3/2001 Ragone
D454,097 S 3/2002 Takehara
D454,813 S 3/2002 Boniface
D455,982 S 4/2002 Iso et al.
D455,987 S 4/2002 Hayashi

1 Claim, 9 Drawing Sheets



(56)

References Cited

U.S. PATENT DOCUMENTS

D474,716 S 5/2003 Wakao
 D477,251 S 7/2003 Yoshikata
 D477,796 S 7/2003 Kitazumi
 D478,844 S 8/2003 Hayashi et al.
 D479,157 S 9/2003 Hayashi et al.
 D479,158 S 9/2003 Hayashi et al.
 D481,333 S 10/2003 Fukushima
 D481,656 S 11/2003 Fukushima
 D488,405 S 4/2004 Metros et al.
 D488,743 S 4/2004 Takagi et al.
 D495,626 S 9/2004 Depeyster et al.
 D500,461 S 1/2005 Noguchi et al.
 D500,968 S 1/2005 Metros et al.
 D503,659 S 4/2005 Matsumoto et al.
 D504,356 S 4/2005 Metros et al.
 D507,766 S 7/2005 McMahan et al.
 D508,441 S 8/2005 Moushegian et al.
 D509,772 S 9/2005 Hattori et al.
 D514,983 S 2/2006 Renkert et al.
 D515,462 S 2/2006 Metros et al.
 D516,957 S 3/2006 O’Connell et al.
 D524,189 S 7/2006 Wheel et al.
 D534,097 S 12/2006 Renkert et al.
 D534,836 S 1/2007 Moushegian et al.
 D535,585 S 1/2007 Moushegian et al.
 D537,016 S 2/2007 Shimoguchi et al.
 D537,031 S 2/2007 Hoy et al.
 D537,385 S 2/2007 Shimoguchi et al.
 D539,190 S 3/2007 Brown et al.
 D543,489 S 5/2007 Gunby
 D548,647 S 8/2007 Green, Jr. et al.
 D551,124 S 9/2007 Aneiros et al.
 D553,053 S 10/2007 McChesney et al.
 D571,260 S 1/2008 Takagi et al.
 D567,144 S 4/2008 Pocobello et al.
 D570,742 S 6/2008 Takagi et al.
 D579,823 S 11/2008 Choi et al.
 D579,824 S 11/2008 Pandey et al.
 D586,699 S 2/2009 Opfer et al.
 D587,170 S 2/2009 Tokoro et al.
 D588,501 S 3/2009 Krugger et al.
 D589,407 S 3/2009 Krugger et al.
 D596,532 S 7/2009 Opfer et al.
 D598,810 S 8/2009 Jang
 D600,595 S 9/2009 Nakamura et al.
 D601,925 S 10/2009 O’Donnell
 D604,203 S 11/2009 O’Donnell
 D607,783 S 1/2010 Roller et al.
 D718,188 S 11/2014 Wheel et al.
 D725,001 S 3/2015 McMahan et al.
 D836,033 S 12/2018 Ninov et al.
 D836,034 S 12/2018 Scott et al.
 D836,036 S 12/2018 Ninov et al.
 D893,356 S 8/2020 Kong
 D896,129 S 9/2020 Platto et al.
 D909,917 S * 2/2021 Langhals D12/98
 D909,918 S * 2/2021 Langhals D12/98
 D912,579 S * 3/2021 Dionisopoulos D12/98
 D913,857 S * 3/2021 Wang D12/98

FOREIGN PATENT DOCUMENTS

CN 304167140 S 6/2017
 CN 304368723 S 11/2017
 CN 34407044 S 12/2017
 CN 34535531 S 3/2018
 DE 402014000810-0001 3/2014
 EM 002583674-0001 11/2014
 EM 002583674-0002 11/2014
 EM 002598904-0001 12/2014
 EM 002631325-0001 2/2015
 EM 002673434-0001 3/2015
 EM 002673434-0002 3/2015
 EM 002673434-0003 3/2015

EM 002673434-0004 3/2015
 GB 2086306 9/1991
 WO 085497-13 1/2015

OTHER PUBLICATIONS

Mercedes-Benz W463 G 350 BlueTEC 01 .jpg—Wikimedia Commons, available at least as of Dec. 23, 2013, available from Internet, <URL:https://commons.wikimedia.org/wiki/File:Mercedes-Benz_W463_G_350_BlueTEC_01.jpg>.
 1980 Toyota Land Cruiser (FJ40) hardtop (26042130985).jpg—Wikimedia Commons, available at least as of 1980, available from Internet, <URL:https://commons.wikimedia.org/wiki/File:1980_Toyota_Land_Cruiser_(FJ40)_hardtop_(26042130985).jpg>.
 Toyota Land Cruiser 70 003.JPG—Wikimedia Commons, available at least as of Jun. 14, 2008, available from Internet, <URL:https://commons.wikimedia.org/wiki/File:Toyota_Land_Cruiser_70_003.JPG>.
 Toyota Land Cruiser—03-25-2010.jpg—Wikipedia, available at least as of Mar. 25, 2010, available from Internet, <URL:https://en.wikipedia.org/wiki/File:Toyota_Land_Cruiser_-_03-25-2010.jpg>.
 NissanPatrol.jpg—Wikipedia, available at least as of 1971, available from Internet, <URL:https://en.wikipedia.org/wiki/File:NissanPatrol.jpg>.
 IMG pATROL.jpg—Wikimedia Commons, available at least as of Feb. 1, 2009, available from Internet, <URL:https://commons.wikimedia.org/wiki/File:IMG_pATROL.jpg>.
 Isuzu Trooper (first generation, first facelift) (front), Serdang.jpg—Wikimedia Commons, available at least as of Dec. 13, 2007, available from Internet, <URL:https://commons.wikimedia.org/wiki/File:Isuzu_Trooper_(first_generation,_first_facelift)_front,_Serdang.jpg?>
 2006 Hummer H3 H1 and H2.jpg—Wikimedia Commons, available at least as of 2006, available from Internet, <URL:https://commons.wikimedia.org/wiki/File:2006_Hummer_H3_H1_and_H2.jpg>.
 2003-2007 Hummer H2 02.jpg—Wikimedia Commons, available at least as of 2003, available from Internet, <URL:https://commons.wikimedia.org/wiki/File:2003-2007_Hummer_H2_02.jpg>.
 Iveco Massif (3717053295).jpg—Wikimedia Commons, available at least as of Jan. 25, 2009, available from Internet, <URL:https://commons.wikimedia.org/wiki/File:Iveco_Massif_(3717053295).jpg>.
 Bollinger B1 “The World’s Most Capable Sporty Utility Truck”, available at least as of Oct. 3, 2019, available from Internet, <URL:https://www.bollingeremotors.com/#image-gallery-13>.
 Mercedes-Benz G-Class (2019), available at least as of 2019, available from Internet, <URL:https://www.netcarshow.com/mercedes-benz/2019-g-class/1024x768/wallpaper_02.htm>.
 Mercedes-Benz G-Class, available at least as of 1979, available from Internet, <URL:https://en.wikipedia.org/wiki/Mercedes-Benz_G-Class#/media/File:Mercedes%C2%ADAMG%20G%2063%20Back%20Gen%202018.jpgq.>.
 Suzuki Jimny, available at least as of 1970, available from Internet, <URL:https://en.wikipedia.org/wiki/Suzuki_Jimny#/media/File:JMN18%20Suzuki%20Jimny%20Sierra%20JC%20JB74%201.jpg>.
 Suzuki Jimny, available at least as of 1970, available from Internet, <URL:https://en.wikipedia.org/wiki/Suzuki_Jimny#/media/File:Suzuki%20jimny%20XC%20(3BA-JB64W-JXCU-J)%20rear.jpg>.
 MB 230G Cabrio rear.JPG, available at least as of 1979, available from Internet, <URL:https://en.m.wikipedia.org/wiki/File:MB_230G_Cabrio_rear.JPG>.
 Puch G Bundesheer.jpg, available at least as of Oct. 8, 2006, available from Internet, <URL:https://commons.wikimedia.org/wiki/File:Puch_G_Bundesheer.jpg>.
 Daihatsu Taft, available at least as of 1974, available from Internet, <URL:https://en.wikipedia.org/wiki/Daihatsu_Taft#/media/File:Daihatsu%20Taft%20F50%2025d.JPG>.
 Toyota Land Cruiser (J40), available at least as of 1960, available from Internet, <URL:https://en.wikipedia.org/wiki/Toyota_Land_

(56)

References Cited

OTHER PUBLICATIONS

Cruiser_(J40)#/media/File:1980%20Toyota%20Land%20Cruiser%20(FJ40)%20hardtop%20(2%206042130985).jpg>.

United Kingdom Trademark Registration No. 3,161,282, owned by Jaguar Land Rover Limited, Published May 19, 2017, design available as early as Sep. 20, 2016 (suspended after opposition).

United Kingdom Trademark Registration No. 3,164,283, owned by Jaguar Land Rover Limited, Published May 19, 2017, design available as early as May 12, 2016 (opposition pending).

United Kingdom Trademark Registration No. 3,186,701, owned by Jaguar Land Rover Limited, Published May 19, 2017, design available as early as May 12, 2016 (opposition pending).

United Kingdom Trademark Registration No. 3,158,947 owned by Jaguar Land Rover Limited, Published May 19, 2017, design available as early as Apr. 11, 2016 (opposition pending).

United Kingdom Trademark Registration No. 3,158,948 owned by Jaguar Land Rover Limited, Published May 19, 2017, design available as early as Apr. 11, 2016 (opposition pending).

United Kingdom Trademark Registration No. 3,248,751 owned by Jaguar Land Rover Limited, Published Jun. 29, 2018, design available as early as Aug. 7, 2017 (opposition pending).

UK IPO Decision, Trade Mark Applications 3164282/83, 3186701, 315947/8 and 3248751 by Jaguar Land Rover Limited to Register 6 Three-Dimensional Shape Marks and Oppositions 409980-984 and 413358 by Ineos Industries Holdings Limited, Oct. 3, 2019 (refusing trademark registration of the six trademarks referenced in NPL 21-26 above).

UK High Court of Justice Decision, *Jaguar Land Rover Limited v. Ineos Industries Holdings Limited*, [2020] EWHC 2130 (Ch), Aug. 3, 2020 (denying an appeal by Jaguar Land Rover Limited of the UK IPO decision referenced in NPL 27 above).

Wikipedia, Mercedes-Benz G-Class, available at least as of 1979, available from Internet, <URL:https://www.en.wikipedia.org/wiki/Mercedes-Benz_G-Class>.

Military-Today, Santana PS-10 Light Utility Vehicle, available at least as of 2003, available from Internet, <URL:https://www.military-today.com/trucks/santana_ps10.htm>.

Wikipedia, UAZ-469, available at least as of 1971, available from Internet, <URL:https://www.en.wikipedia.org/wiki/UAZ-469>.

Complaint for Declaratory Judgment, *Ineos Auto. Ltd. v. Jaguar Land Rover Ltd. and Jaguar Land Rover N Am., LLC*, No. CV2:21-cv-13174 (D.N.J. Jun. 30, 2021), ECF No. 1.

United States Trademark Registration No. 5,456,370 owned by Jaguar Land Rover Limited, Registered May 1, 2018, design available as early as Aug. 7, 1992.

United States Trademark Registration No. 5,803,089 owned by Jaguar Land Rover Limited, Registered Jul. 16, 2019, design available as early as Aug. 1, 1992.

Goo-Net-Exchange, Land Rover Defender 110S (2012), design available as early as 2012, no copyright date posted online, site visited on Dec. 3, 2020. Available from Internet, <URL:https://www.goo-net-exchange.com/usedcars/LAND_ROVER/DEFENDER/700980016730190524008/index.html>.

Mix Home, Mercedes Benz AMG G65-3201G Model Car, no publication or copyright date posted online, site visited on Dec. 3, 2020. Available from Internet, <URL:https://imixhome.co.za/products/model-car-g65-3201g-mercedes-benz-amg-g65-model-car>.

RM Toys LTD., Otto 1/18 Scale Model Car OT320—Mercedes Benz G Class 55—Black, no publication date published online, copyright date 2020, site visited on Dec. 3, 2020. Available from Internet, <URL:https://www.rmttoys.co.uk/products/otto-1-18-scale-model-car-ot320-mercedes-benz-g-class-55-black>.

MACHINEPHD, Mahindra Bolero Camper Gold (2020), published on Jan. 22, 2020, site visited on Dec. 3, 2020. Available from Internet, <URL: https://www.machinephd.com/mahindra-bolero-camper-gold-price>.

Tata Motors, Tata Yodha Pickup, published on Jul. 17, 2018, site visited on Dec. 3, 2020. Available from Internet, <URL: https://pickup.tatamotors.com/blog/what-is-the-price-specifications-and-features-of-tata-yodha-pickup>.

Msblog, Tata Xenon Yodha, published on Dec. 31, 2016, site visited on Dec. 3, 2020. Available from Internet, <URL: https://mas-sat.blogspot.com/2016/12/tata-xenon-yodha.html>.

Flickr, “1962 Land Rover Series II—¾ Front” John Lopez, available at least as of 1962, available from Internet, <URL:https://www.flickr.com/photos/75433066@N00/254355833>.

Suzuki Samurai SJ410 photographed in Sérres, Greece.jpg, available at least as of 1982, available from Internet, <URL:https://commons.wikimedia.org/wiki/File:Suzuki_Samurai_SJ410_photographed_in_S%C3%A9rres,_Greece.jpg>.

Suzuki SJ410 hl blue.jpg—Wikimedia Commons, available at least as of Dec. 30, 2005, available from Internet, <URL:https://commons.wikimedia.org/wiki/File:Suzuki_SJ410_hl_blue.jpg>.

Daihatsu Taft F50_25d.JPG (2832x2128) (wikimedia.org), available at least as of 1979, available from Internet, <URL:https://commons.wikimedia.org/wiki/File:Daihatsu_Taft_F50_25d.JPG>.

Daihatsu Rocky Gothenburg 02.jpg, available at least as of 1985, available from Internet, <URL:https://commons.wikimedia.org/wiki/File:Daihatsu_Rocky_Gothenburg_02.jpg>.

Mercedes-Benz W463 G 350 BlueTEC 01.jpg, available at least as of Dec. 23, 2013, available from Internet, <URL:https://commons.wikimedia.org/wiki/File:Mercedes-Benz_W463_G_350_BlueTEC_01.jpg>.

Land Rover Defender Military Police.JPG—Wikimedia Commons, available at least as of Jun. 2011, available from Internet, <URL:https://commons.wikimedia.org/wiki/File:Land_Rover_Defender_Military_Police.JPG>.

Jeep CJ-5 V6 red open body.jpg—Wikipedia, available at least as of Sep. 21, 2008, available from Internet, <URL:https://en.m.wikipedia.org/wiki/File:Jeep_CJ-5_V6_red_open_body.jpg>.

1992 Jeep YJ.JPG—Wikimedia Commons, available at least as of 1992, available from Internet, <URL:https://commons.wikimedia.org/wiki/File:1992_Jeep_YJ.JPG>.

Hummer H2 .jpg—Wikimedia Commons, available at least as of Mar. 14, 2009, available from Internet, <URL:https://commons.wikimedia.org/wiki/File:Hummer_H2_.jpg>.

Suzuki Samurai .jpg—Wikimedia Commons, available at least as of Apr. 3, 2009, available from Internet, <URL:https://commons.wikimedia.org/wiki/File:Suzuki_Samurai_.jpg>.

Mercedes-Benz G 270 CDI (W 463)—Frontansicht, Mar. 3, 2013, Ratingen.jpg—Wikimedia Commons, available at least as of Mar. 3, 2013, available from Internet, <URL:https://commons.wikimedia.org/wiki/File:Mercedes-Benz_G_270_CDI_(W_463)_%E2%80%933_Frontansicht_3_M%C3%A4rz_2013,_Ratingen.jpg>.

1995-1997 Nissan Patrol (GQ II) RX wagon 01.jpg—Wikimedia Commons, available at least as of 1997, available from Internet, <URL:https://commons.wikimedia.org/wiki/File:1995-1997_Nissan_Patrol_(GQ_II)_RX_wagon_01.jpg>.

Land Rover Series III Pick Up—Heckansicht, Jul. 5, 2014, Dusseldorf.jpg—Wikimedia Commons, available at least as of Jul. 5, 2014, available from Internet, <URL:https://commons.wikimedia.org/wiki/File:Land_Rover_Series_III_Pick_Up_%E2%80%933_Heckansicht_5_Juli_2014,_D%C3%BCsseldorf.jpg>.

Land Rover Defender rear 20070518.jpg—Wikipedia, available at least as of May 18, 2007, available from Internet, <URL:https://es.wikipedia.org/wiki/Archivo:Land_Rover_Defender_rear_20070518.jpg>.

1987 Mercedes-Benz 230 GE (G 460) 3-door wagon (Aug. 9, 2015) 01.jpg—Wikimedia Commons, available at least as of 1987, available from Internet, <URL:https://commons.wikimedia.org/wiki/File:1987_Mercedes-Benz_230_GE_(G_460)_3-door_wagon_(2015-08-09)_01.jpg>.

Mercedes g h sst.jpg—Wikimedia Commons, available at least as of Oct. 29, 2005, available from Internet, <URL:https://commons.wikimedia.org/wiki/File:Mercedes_g_h_sst.jpg>.

1980 Toyota Land Cruiser (FJ40) hardtop (25439621823).jpg—Wikimedia Commons, available at least as of 1980, available from Internet, <URL:https://commons.wikimedia.org/wiki/File:1980_Toyota_Land_Cruiser_(FJ40)_hardtop_(25439621823).jpg>.

Jeep Wrangler Sport (JK)—Frontansicht, Apr. 16, 2011, Düsseldorf.jpg—Wikimedia Commons, available at least as of Apr. 16, 2011, available from Internet, <URL:https://commons.wikimedia.org/wiki/

(56)

References Cited

OTHER PUBLICATIONS

File:Jeep_Wrangler_Sport_(JK)_%E2%80%93_Frontansicht,_16._April_2011,_D%C3%BCsseldorf.jpg>.

Suzuki Jimny SJ30 001.JPG—Wikimedia Commons, available at least as of Jan. 29, 2009, available from Internet, <URL:https://commons.wikimedia.org/wiki/File:Suzuki_Jimny_SJ30_001.JPG>.

1970 Nissan 60 Series Patrol Hardtop (23629357882).jpg—Wikimedia Commons, available at least as of 1970, available from Internet, <URL:https://commons.wikimedia.org/wiki/File:1970_Nissan_60_Series_Patrol_Hardtop_(23629357882).jpg>.

1984 Mitsubishi Pajero (NA) hardtop (Jul. 3, 2015).jpg—Wikimedia Commons, available at least as of 1984, available from Internet, <URL:https://commons.wikimedia.org/wiki/File:1984_Mitsubishi_Pajero_(NA)_hardtop_(Jul. 3, 2015).jpg>.

Mercedes-Benz W460.JPG—Wikipedia, available at least as of Jul. 10, 2007, available from Internet, <URL:https://en.wikipedia.org/wiki/File:Mercedes-Benz_W460.JPG>.

Land Rover RAF, licence registration 'KG 66 AA' pic2.JPG—Wikimedia Commons, available at least as of Jul. 23, 2010, available from Internet, <URL:https://commons.wikimedia.org/wiki/File:Land_Rover_RAF,_licence_registration_%27KG_66_AA%27_pic2.JPG>.

Land Rover Defender 110 (maybe former UN vehicle).JPG—Wikimedia Commons, available at least as of May 10, 2007, available from Internet, <URL:https://commons.wikimedia.org/wiki/File:Land_Rover_Defender_110_(maybe_former_UN_vehicle).JPG>.

1987 Mercedes-Benz 230 GE (G 460) 3-door wagon (Aug. 9, 2015) 03.jpg—Wikimedia Commons, available at least as of 1987, available from Internet, <URL:https://commons.wikimedia.org/wiki/File:1987_Mercedes-Benz_230_GE_(G_460)_3-door_wagon_(2015-08-09)_03.jpg>.

Suzuki_Samurai.jpg (785×684) (wikimedia.org), available at least as of Sep. 10, 2007, available from Internet, <URL:https://commons.wikimedia.org/wiki/File:Suzuki_Samurai.jpg>.

Mar. 5, 2013 Geneva Motor Show 8068.JPG—Wikimedia Commons, available at least as of Mar. 5, 2013, available from Internet, <URL:https://commons.wikimedia.org/wiki/File:2013-03-05_Geneva_Motor_Show_8068.JPG>.

Suzuki Jimny JA12W 002.JPG—Wikimedia Commons, available at least as of Apr. 6, 2007, available from Internet, <URL:https://commons.wikimedia.org/wiki/File:Suzuki_Jimny_JA12W_002.JPG>.

1995 Daihatsu Rocky SE 2.8TD (F78)—Category:Daihatsu Rocky (F70)—Wikimedia Commons, available at least as of 1995, avail-

able from Internet, <URL:https://commons.wikimedia.org/wiki/File:1995_Daihatsu_Rocky_SE_2.8TD_(F78).jpg>.

2005 Jeep TJ Rubicon.JPG—Wikimedia Commons, available at least as of 2005, available from Internet, <URL:https://commons.wikimedia.org/wiki/File:2005_Jeep_TJ_Rubicon.JPG>.

2015 Jeep JK in Tank Green.jpg—Wikipedia, available at least as of 2015, available from Internet, <URL:https://en.wikipedia.org/wiki/File:2015_Jeep_JK_in_Tank_Green.jpg>.

Jeep Cherokee Sport 4×4.JPG—Wikimedia Commons, available at least as of Oct. 14, 2007, available from Internet, <URL:https://commons.wikimedia.org/wiki/File:Jeep_Cherokee_Sport_4x4.JPG>.

2007 Jeep Wrangler JK Unlimited Rubicon Softtop.jpg—Wikipedia, available at least as of 2007, available from Internet, <URL:https://en.wikipedia.org/wiki/File:2007_Jeep_Wrangler_JK_Unlimited_Rubicon_Softtop.jpg>.

Suzuki Samurai SJ410 photographed in Sérres, Greece.jpg—Wikimedia Commons, available at least as of Oct. 29, 2012, available from Internet, <URL:https://commons.wikimedia.org/wiki/File:Suzuki_Samurai_SJ410_photographed_in_S%C3%A9rres,_Greece.jpg?>.

Suzuki SJ410 vr blue.jpg—Wikipedia, available at least as of Dec. 30, 2005, available from Internet, <URL:https://en.wikipedia.org/wiki/File:Suzuki_SJ410_vr_blue.jpg>.

Suzuki Samurai rear 20071025.jpg—Wikimedia Commons, available at least as of Oct. 25, 2007, available from Internet, <URL:https://commons.wikimedia.org/wiki/File:Suzuki_Samurai_rear_20071025.jpg>.

Daihatsu Rocky.jpg—Wikipedia, available at least as of Dec. 27, 2008, available from Internet, <URL:https://en.wikipedia.org/wiki/File:Daihatsu_Rocky.jpg>.

1995 Daihatsu Rocky SE 2.8TD (F78).jpg—Wikimedia Commons, available at least as of 1995, available from Internet, <URL:https://commons.wikimedia.org/wiki/File:1995_Daihatsu_Rocky_SE_2.8TD_(F78).jpg>.

Korando.JPG—Wikipedia, available at least as of Aug. 21, 2007, available from Internet, <URL:https://en.wikipedia.org/wiki/File:Korando.JPG>.

Asia Rocsta (8421422550).jpg—Wikimedia Commons, available at least as of 1994, available from Internet, <URL:https://commons.wikimedia.org/wiki/File:Asia_Rocsta_(8421422550).jpg>.

* cited by examiner



FIG. 1

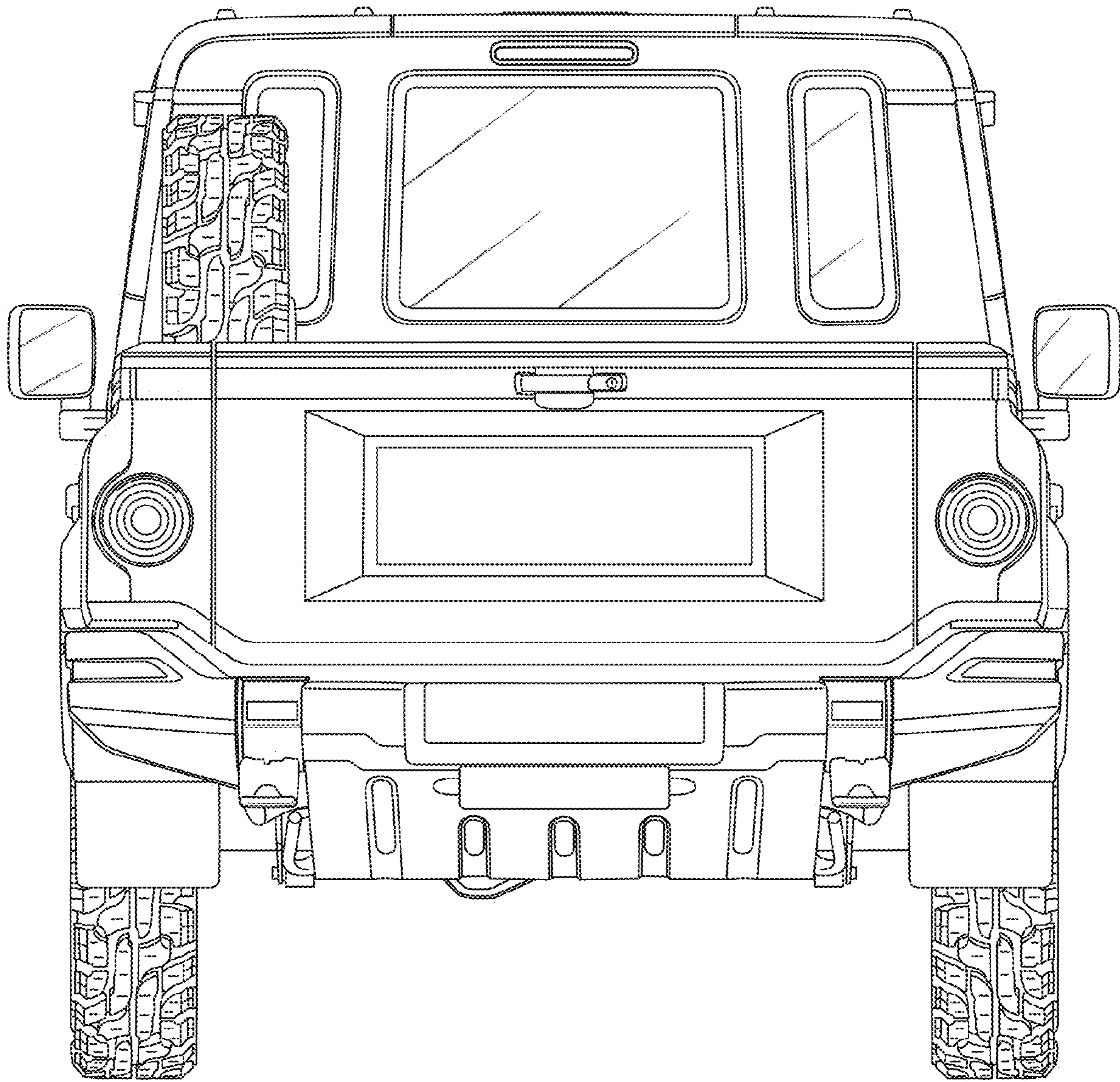


FIG. 2

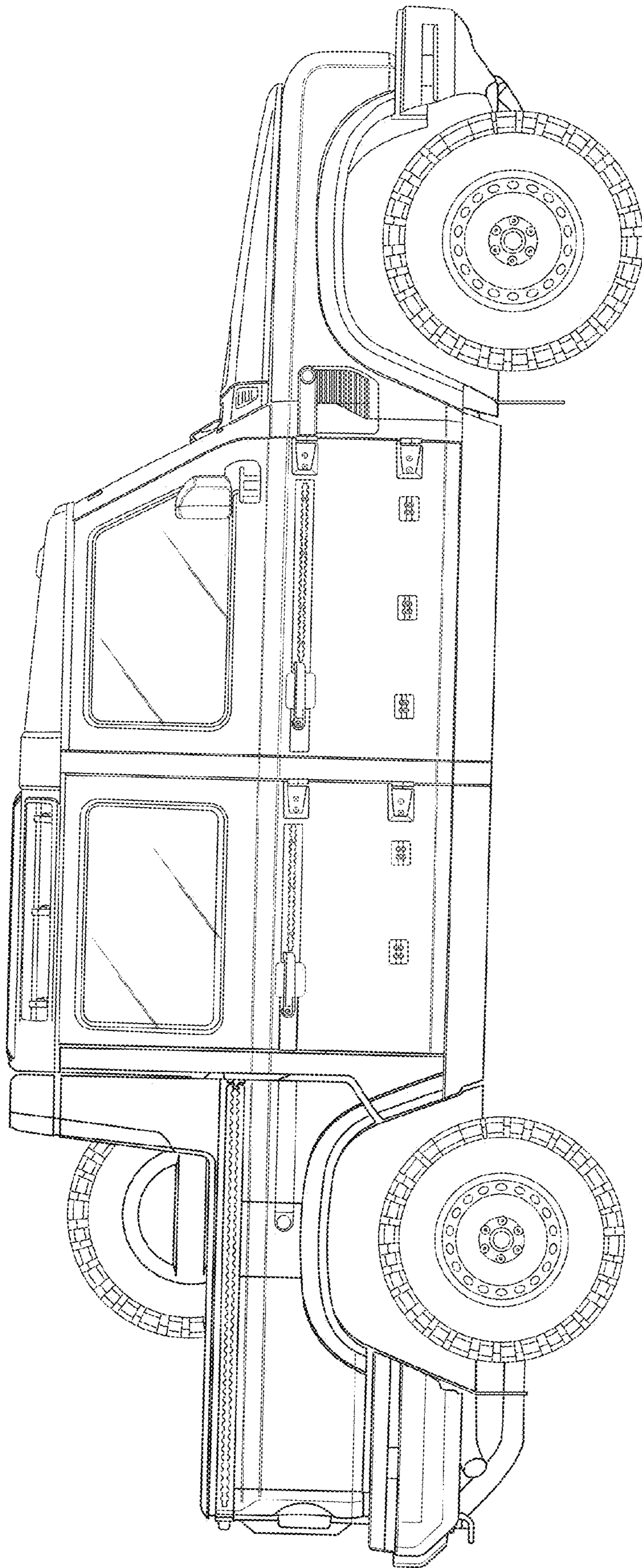


FIG. 3

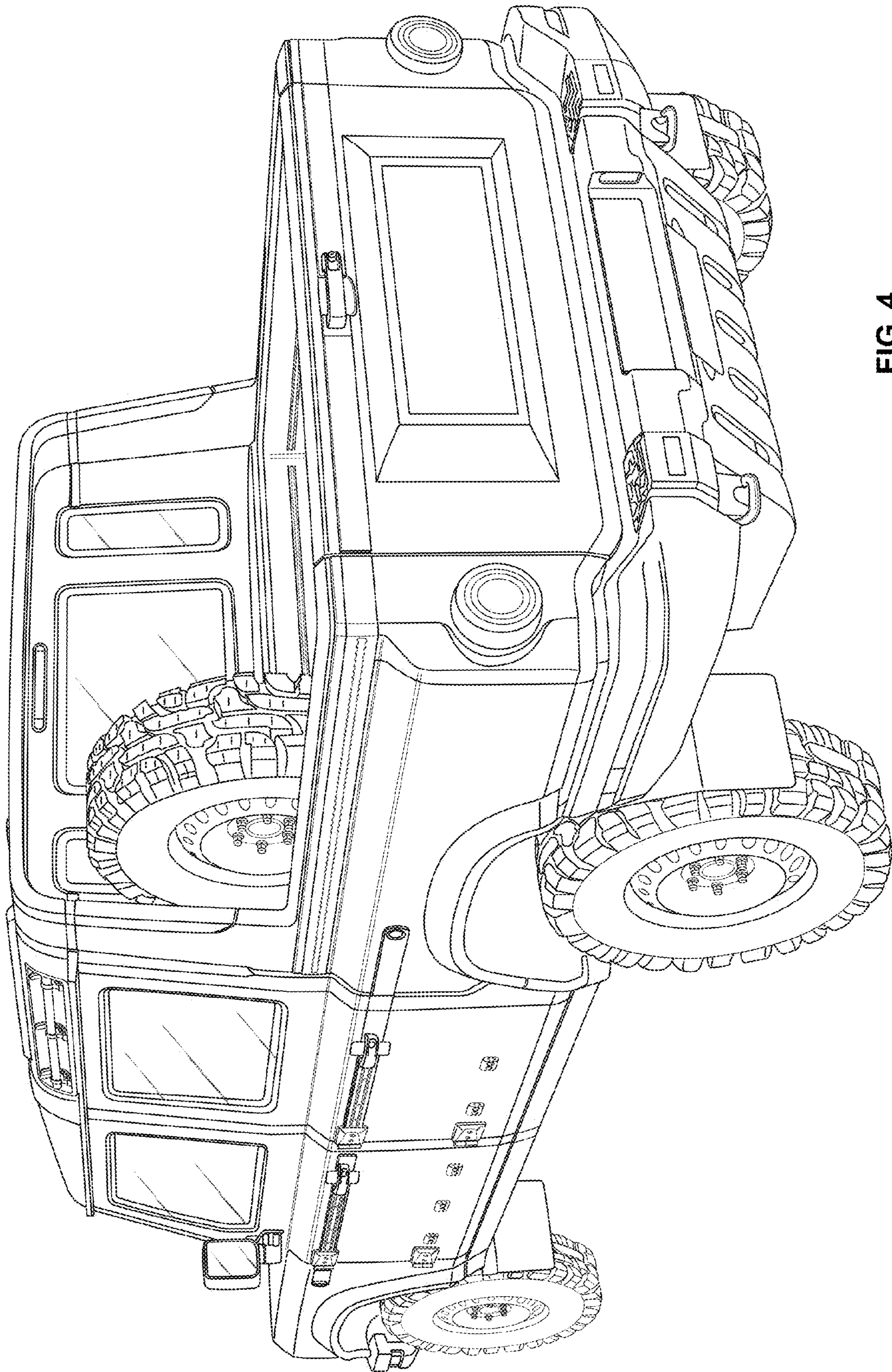


FIG. 4

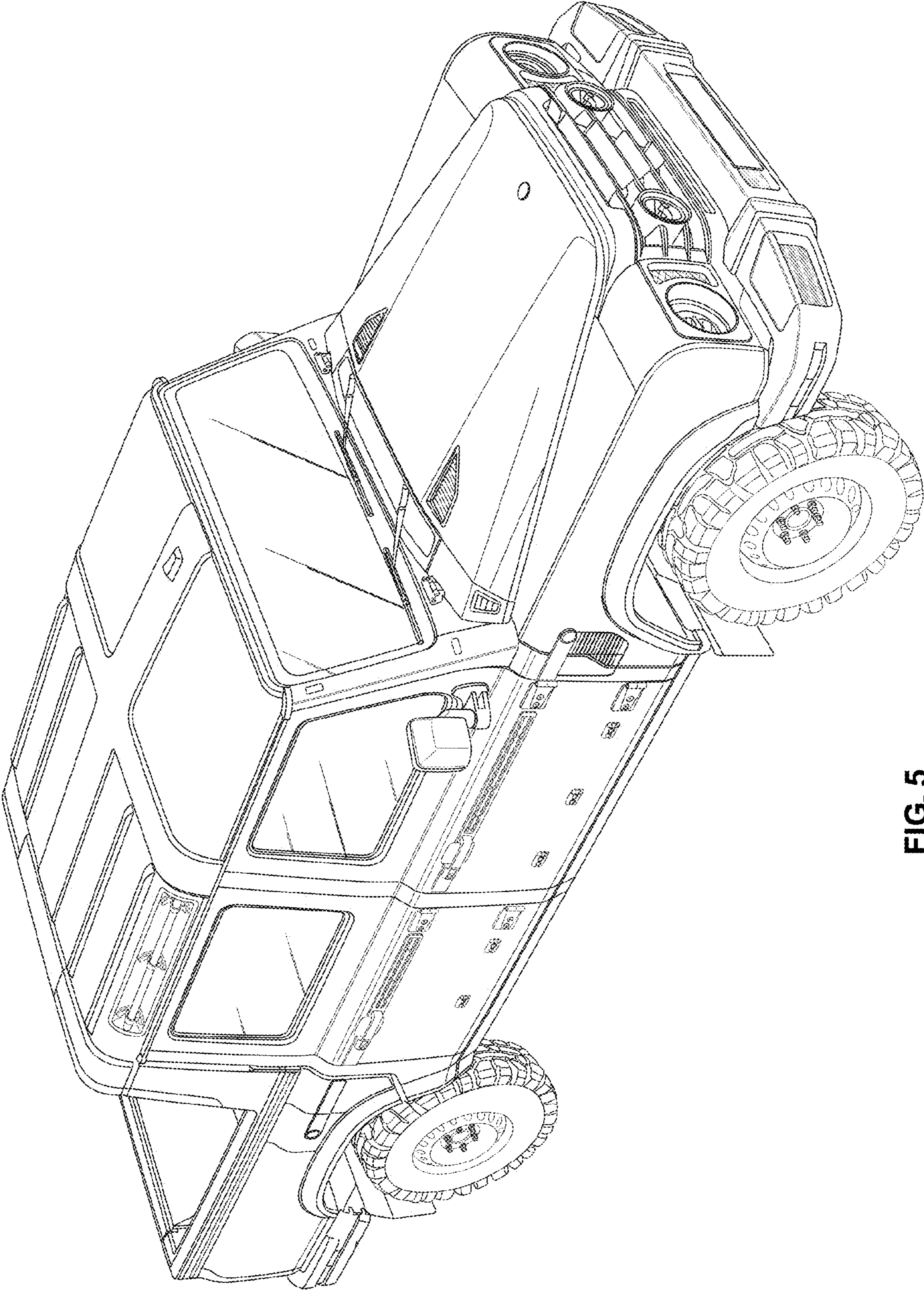


FIG. 5

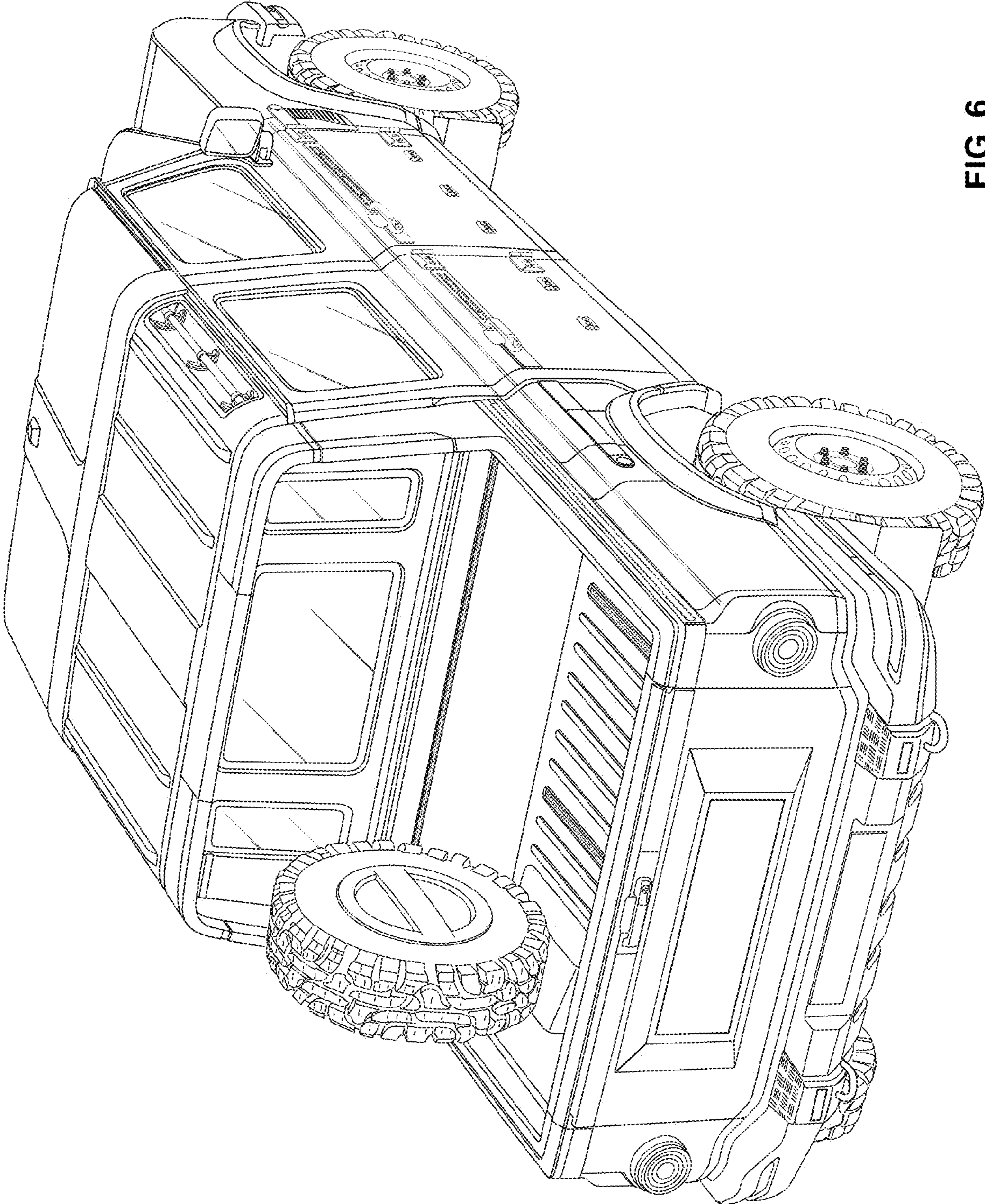


FIG. 6

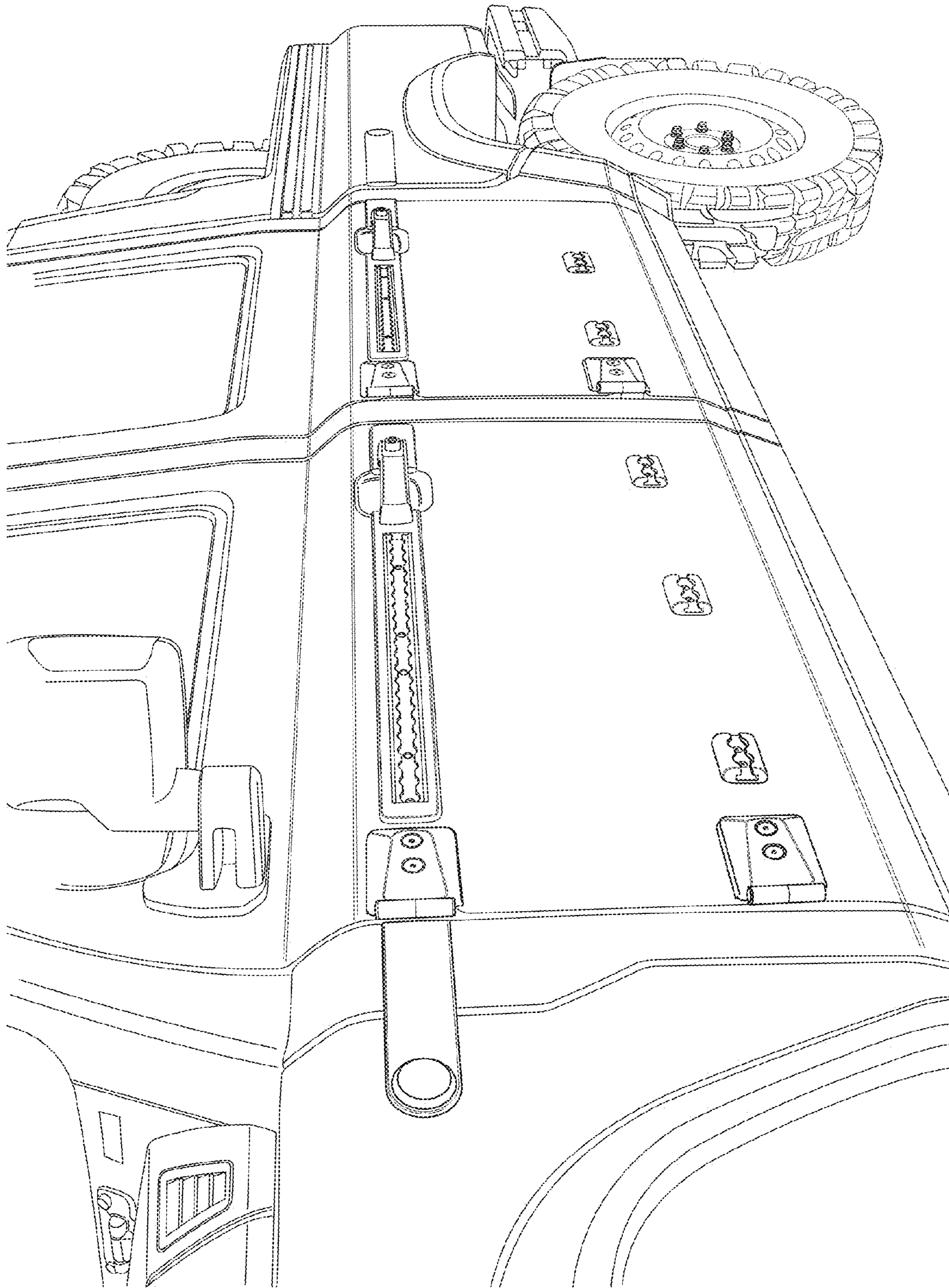


FIG. 7

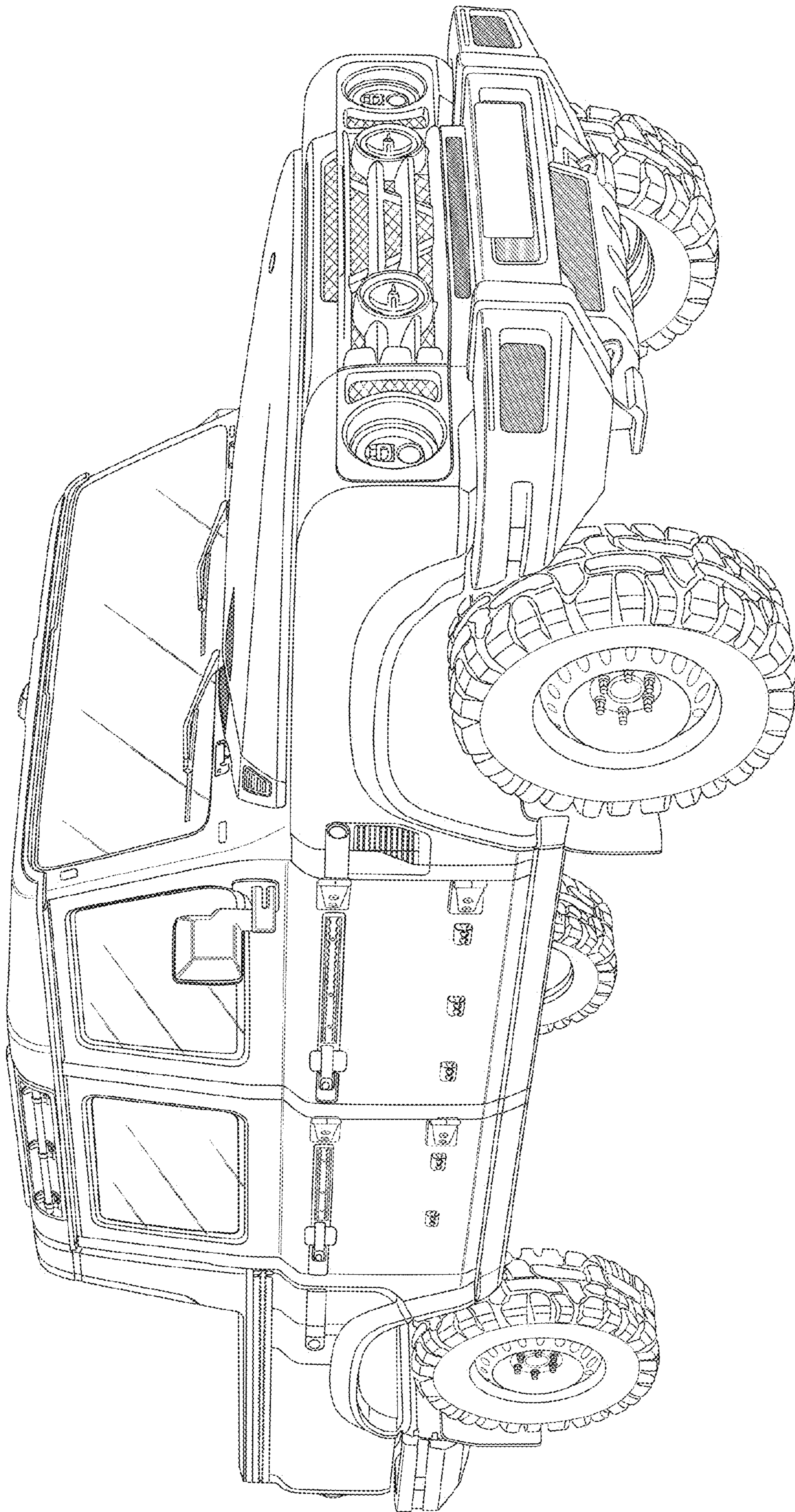


FIG. 8

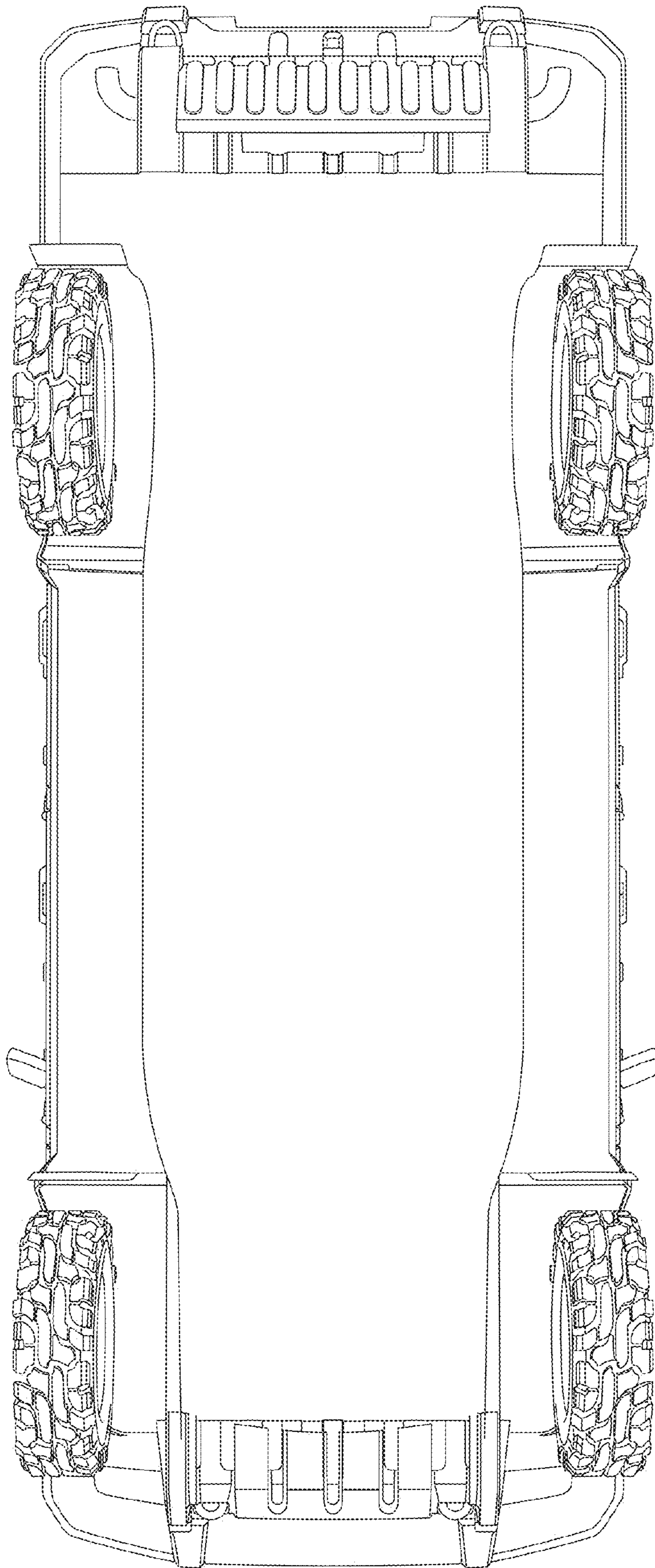


FIG. 9