



US00D945320S

(12) **United States Design Patent**
Binotto

(10) **Patent No.:** **US D945,320 S**
(45) **Date of Patent:** **** Mar. 8, 2022**

(54) **CAR, TOY CAR REPLICA AND/OR OTHER REPLICA**

(71) Applicant: **Ferrari S.p.A.**, Modena (IT)

(72) Inventor: **Mattia Binotto**, Modena (IT)

(73) Assignee: **FERRARI S.p.A.**, Modena (IT)

(**) Term: **15 Years**

(21) Appl. No.: **29/745,298**

(22) Filed: **Aug. 5, 2020**

(30) **Foreign Application Priority Data**

Feb. 7, 2020 (EM) 007669767

(51) **LOC (13) Cl.** **12-08**

(52) **U.S. Cl.**
USPC **D12/88**

(58) **Field of Classification Search**
USPC D12/86, 90-92, 164; D21/433, 434,
D21/531-535; 296/181.1-181.5, 183.1
CPC B62D 25/00; B62D 25/06; B62D 33/00;
B62D 35/00
See application file for complete search history.

(56) **References Cited**

U.S. PATENT DOCUMENTS

D528,041 S * 9/2006 Costa D12/88
D576,918 S * 9/2008 Taylor D12/88
D577,314 S * 9/2008 Taylor D12/88

D597,442 S * 8/2009 Steinhauser D12/88
D610,949 S * 3/2010 Tombazis D12/88
D630,552 S * 1/2011 Tombazis D12/88
D665,306 S * 8/2012 Tombazis D12/88
D707,590 S * 6/2014 Bowlby D12/88
D710,252 S * 8/2014 Tombazis D12/88
D714,188 S * 9/2014 Bowlby D12/88
D727,208 S * 4/2015 Allison D12/88
D774,946 S * 12/2016 Allison D12/88
D807,787 S * 1/2018 Allison D12/88
D830,903 S * 10/2018 Resta D12/88
D881,068 S * 4/2020 Resta D12/88
D897,239 S * 9/2020 Binotto D12/88

* cited by examiner

Primary Examiner — Melody N Brown

(74) *Attorney, Agent, or Firm* — Cowan, Liebowitz & Latman, P.C.; Anastasia Zhadina

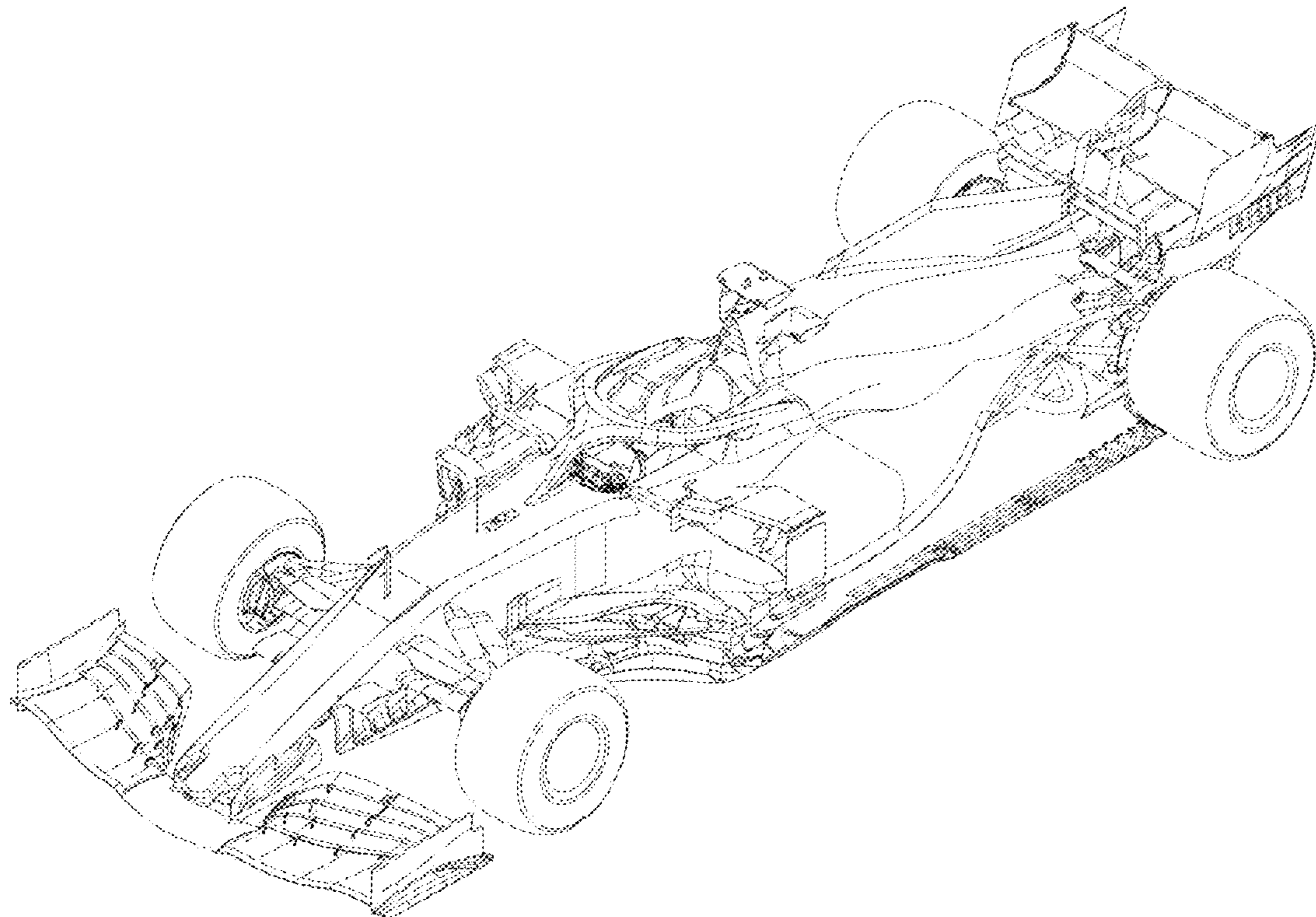
(57) **CLAIM**

The ornamental design for a car, toy car replica and/or other replica, as shown and described.

DESCRIPTION

FIG. 1 is a top, front and side perspective view of a car, toy car replica and/or other replica showing my new design;
FIG. 2 is a top, rear and opposite side perspective view thereof;
FIG. 3 is a front view thereof;
FIG. 4 is a rear view thereof;
FIG. 5 is a side elevational view thereof, the opposite side is a mirror image thereof; and,
FIG. 6 is a top plan view thereof.

1 Claim, 6 Drawing Sheets



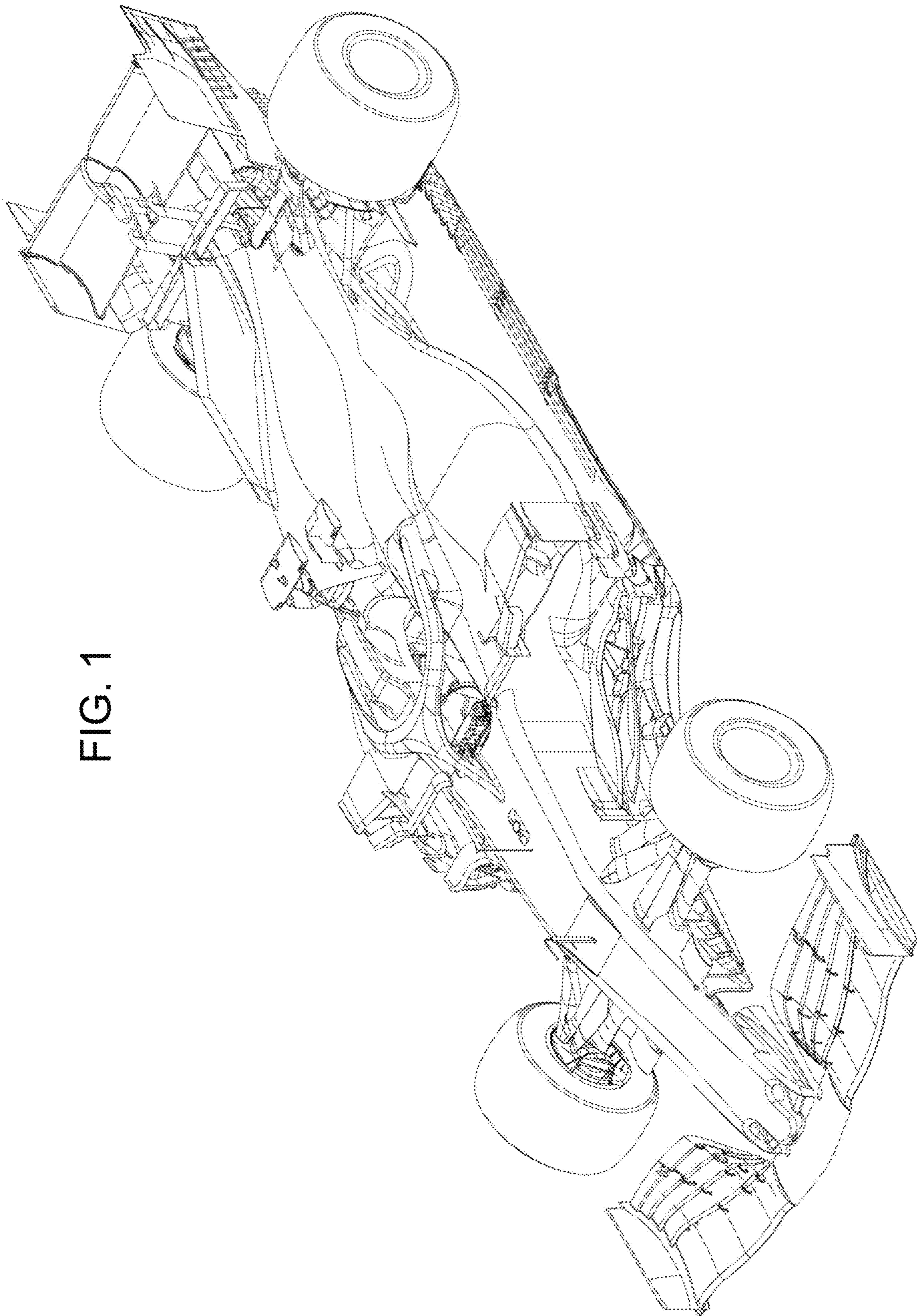


FIG. 1

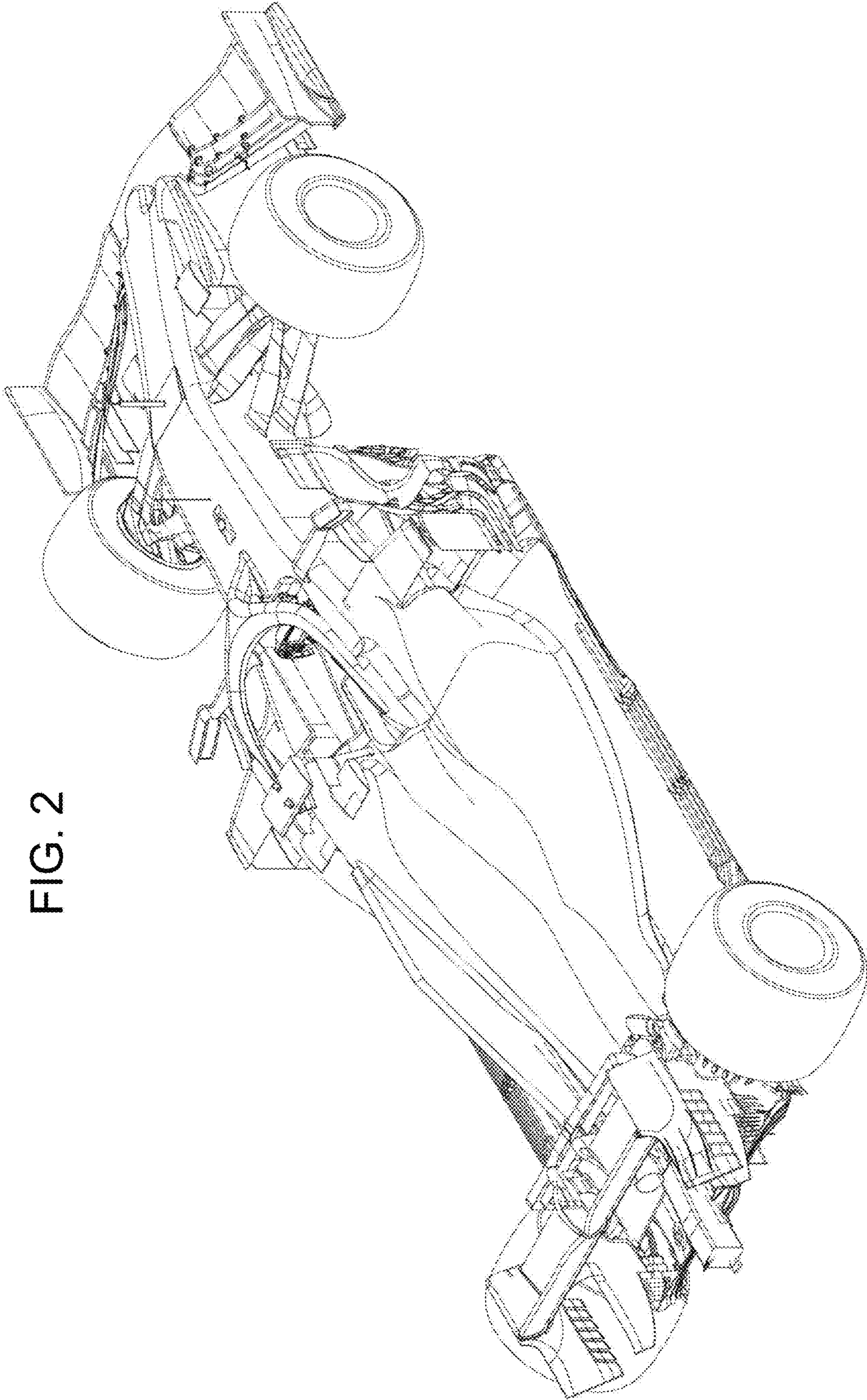


FIG. 2

FIG. 3

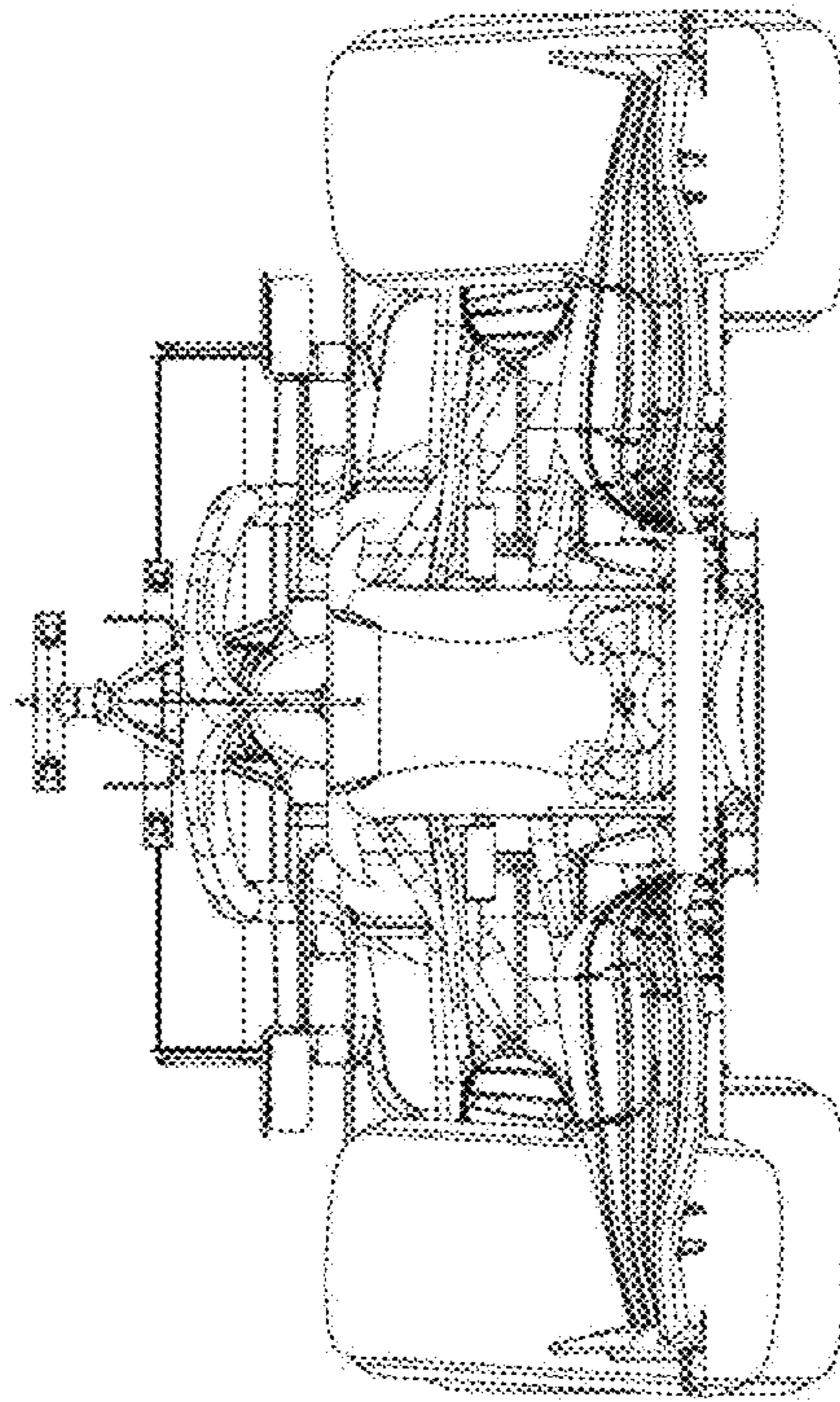


FIG. 4

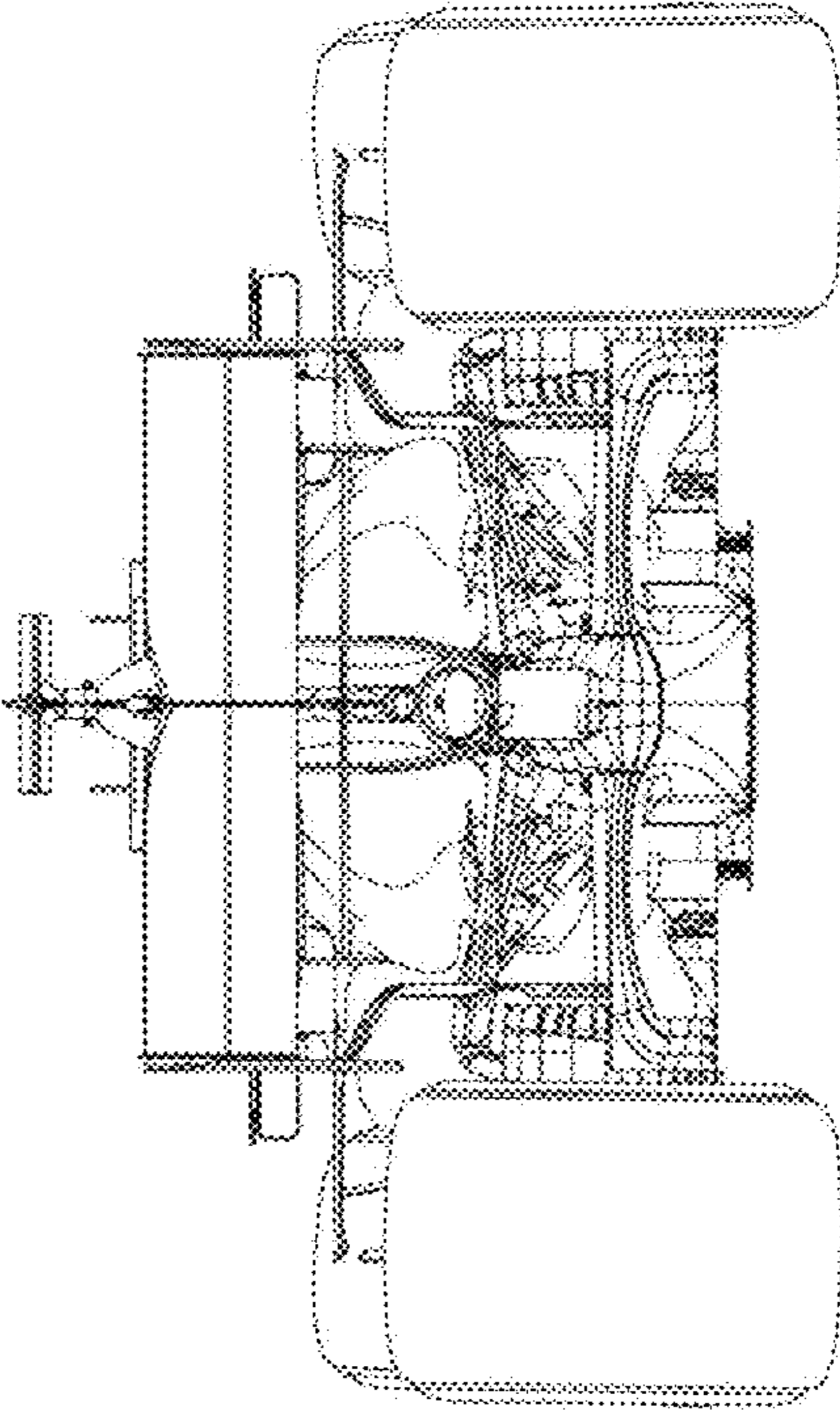


FIG. 5

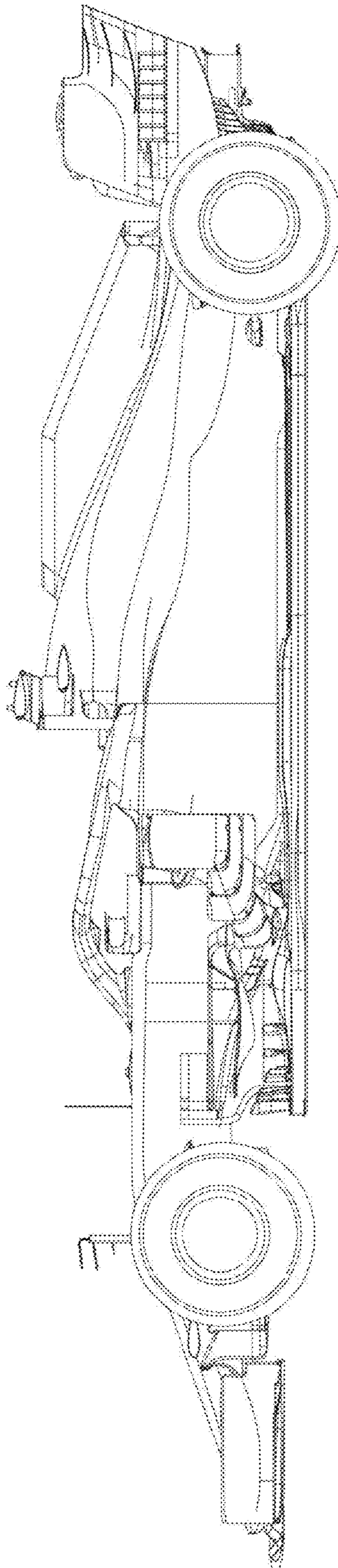
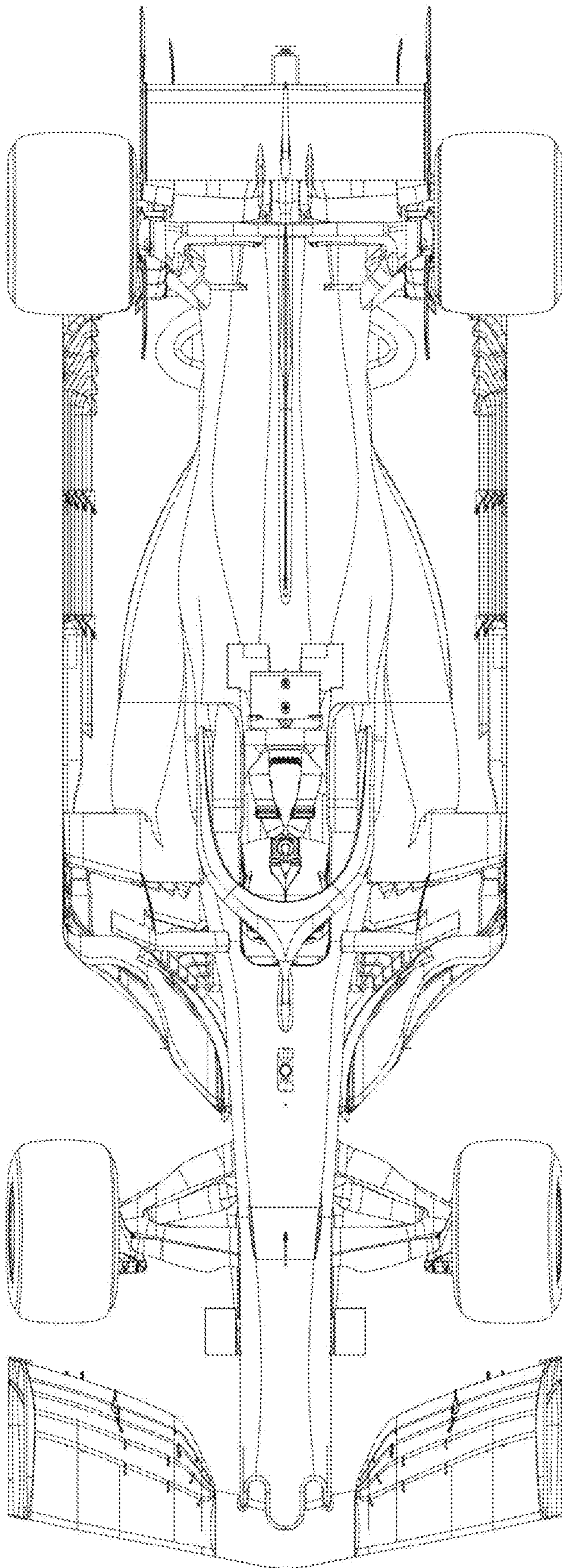


FIG. 6



UNITED STATES PATENT AND TRADEMARK OFFICE
CERTIFICATE OF CORRECTION

PATENT NO. : D945,320 S
APPLICATION NO. : 29/745298
DATED : March 8, 2022
INVENTOR(S) : Mattia Binotto

Page 1 of 1

It is certified that error appears in the above-identified patent and that said Letters Patent is hereby corrected as shown below:

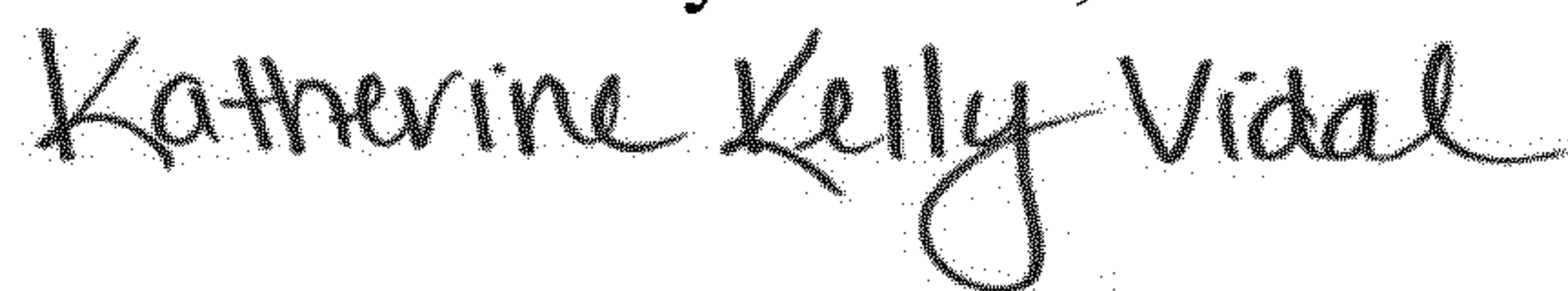
On the Title Page

(30) Foreign Application Priority Data Should Read:

Feb. 7, 2020 (EM) 007669767

Feb. 7, 2020 (EM) 007669791

Signed and Sealed this
Seventh Day of June, 2022



Katherine Kelly Vidal
Director of the United States Patent and Trademark Office