



US00D945318S

(12) **United States Design Patent**
Kang

(10) **Patent No.:** **US D945,318 S**

(45) **Date of Patent:** **** Mar. 8, 2022**

(54) **ZIPPER**

(71) Applicant: **Hee Suk Kang**, Gimpo-si (KR)

(72) Inventor: **Hee Suk Kang**, Gimpo-si (KR)

(**) Term: **15 Years**

(21) Appl. No.: **29/724,808**

(22) Filed: **Feb. 19, 2020**

(30) **Foreign Application Priority Data**

Aug. 26, 2019 (KR) 30-2019-0040678

(51) **LOC (13) Cl.** **02-07**

(52) **U.S. Cl.**
USPC **D11/221**

(58) **Field of Classification Search**
USPC D3/215, 222, 224, 226, 252, 318, 323,
D3/324; D11/87, 94, 200, 201, 208-210,
D11/212, 214, 215, 216, 218, 220, 221,
D11/228; D24/184; D29/100, 122;
D30/139, 152, 153
CPC Y10T 24/498; Y10T 24/1467; Y10T
24/1488; A45F 5/021; A44B 11/00; A44B
11/06; A44B 19/00; A44B 19/04; A44B
19/08; A44B 19/14; A44B 19/18; A44B
19/26; A44B 19/32; B65D 65/08
See application file for complete search history.

(56) **References Cited**

U.S. PATENT DOCUMENTS

- 1,836,958 A * 12/1931 Dalton A44B 19/04
24/406
- 1,959,319 A * 5/1934 Sipe B65D 33/2591
24/400
- 2,070,753 A * 2/1937 Schatzky A44B 19/26
24/417
- 2,797,463 A * 7/1957 Dorman A44B 19/16
24/399

- 3,098,276 A * 7/1963 Rechsteiner A44B 19/16
24/590.1
- 7,703,184 B2 * 4/2010 Meager A44B 19/16
24/399
- 7,832,065 B2 * 11/2010 Meager A44B 19/32
24/399
- D628,517 S * 12/2010 Bitzan D11/221
- 8,327,464 B2 * 12/2012 Jaros A41F 1/00
2/243.1
- 9,545,134 B1 * 1/2017 Tan A44B 19/24
- D901,330 S * 11/2020 Gorson D11/221
- 2016/0198812 A1 * 7/2016 Tan A44B 19/32
24/389
- 2020/0008542 A1 * 1/2020 Kim A44B 19/06

* cited by examiner

Primary Examiner — Richard Kearney

(74) *Attorney, Agent, or Firm* — Paratus Law Group,
PLLC

(57) **CLAIM**

The ornamental design for a zipper, as shown and described.

DESCRIPTION

FIG. 1 is a front, top, and right side perspective view of a zipper, showing the claimed design;
FIG. 2 is a front view thereof;
FIG. 3 is a back view thereof;
FIG. 4 is a left side view thereof;
FIG. 5 and a right view thereof;
FIG. 6 is a top view thereof;
FIG. 7 is a bottom view thereof;
FIG. 8 is an exploded perspective view thereof; and,
FIG. 9 is a top view showing the zipper in a condition of use with a slider.

The zipper has been shown with break lines in its length. The appearance of any portion of the article between the break lines forms no part of the claimed design. The broken lines shown in FIG. 9 depict the slider and form no part of the claimed design.

1 Claim, 5 Drawing Sheets

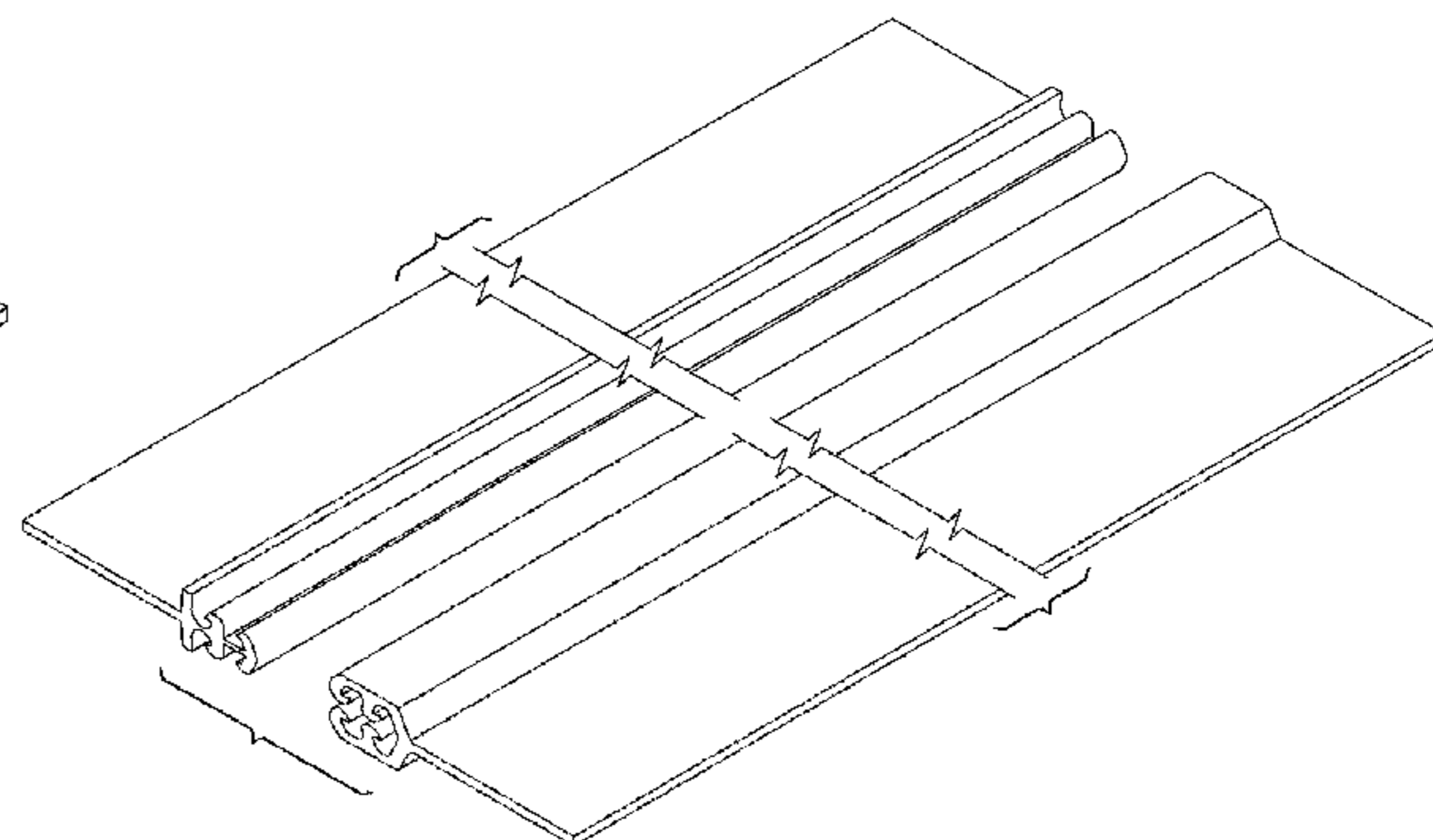
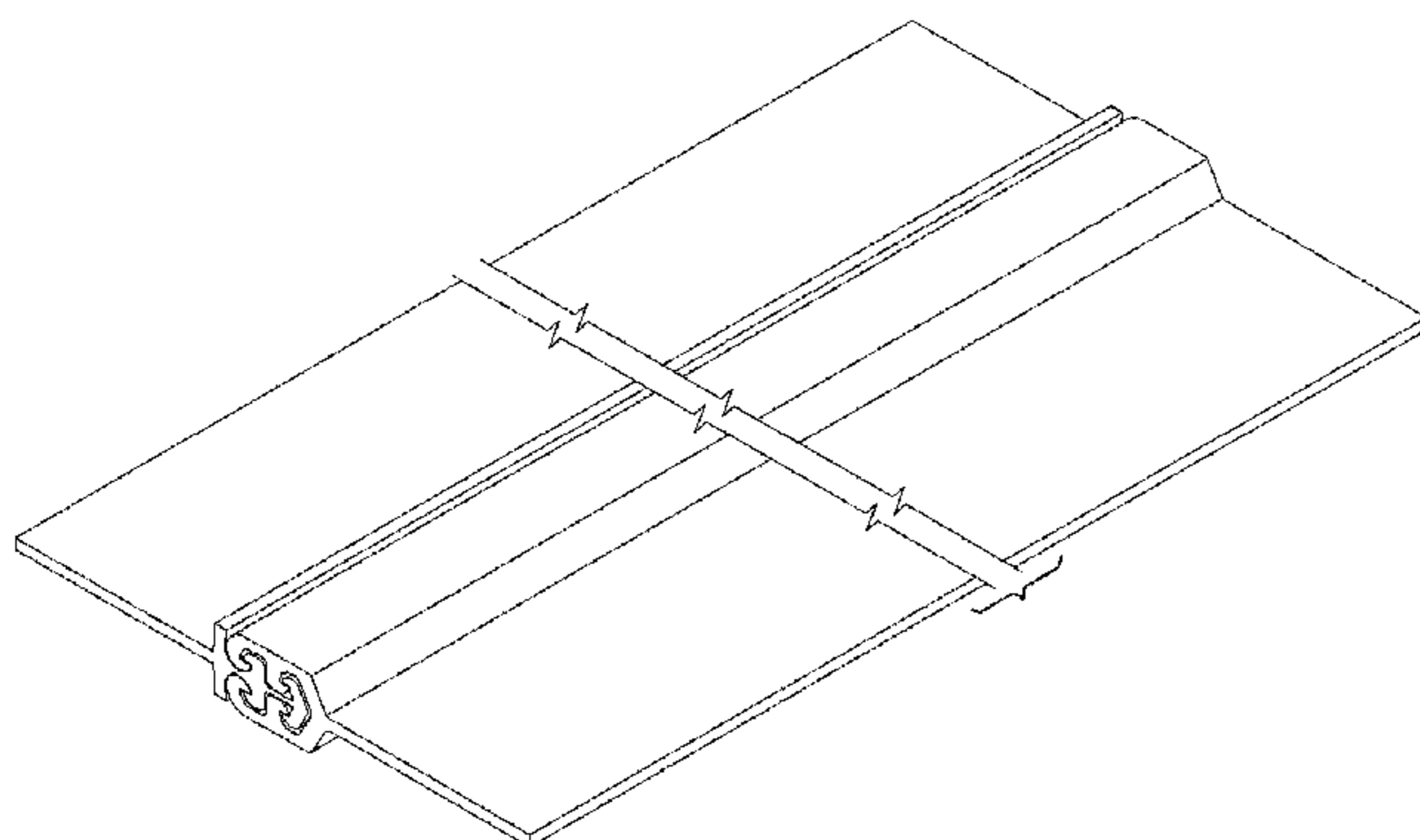


FIG. 1

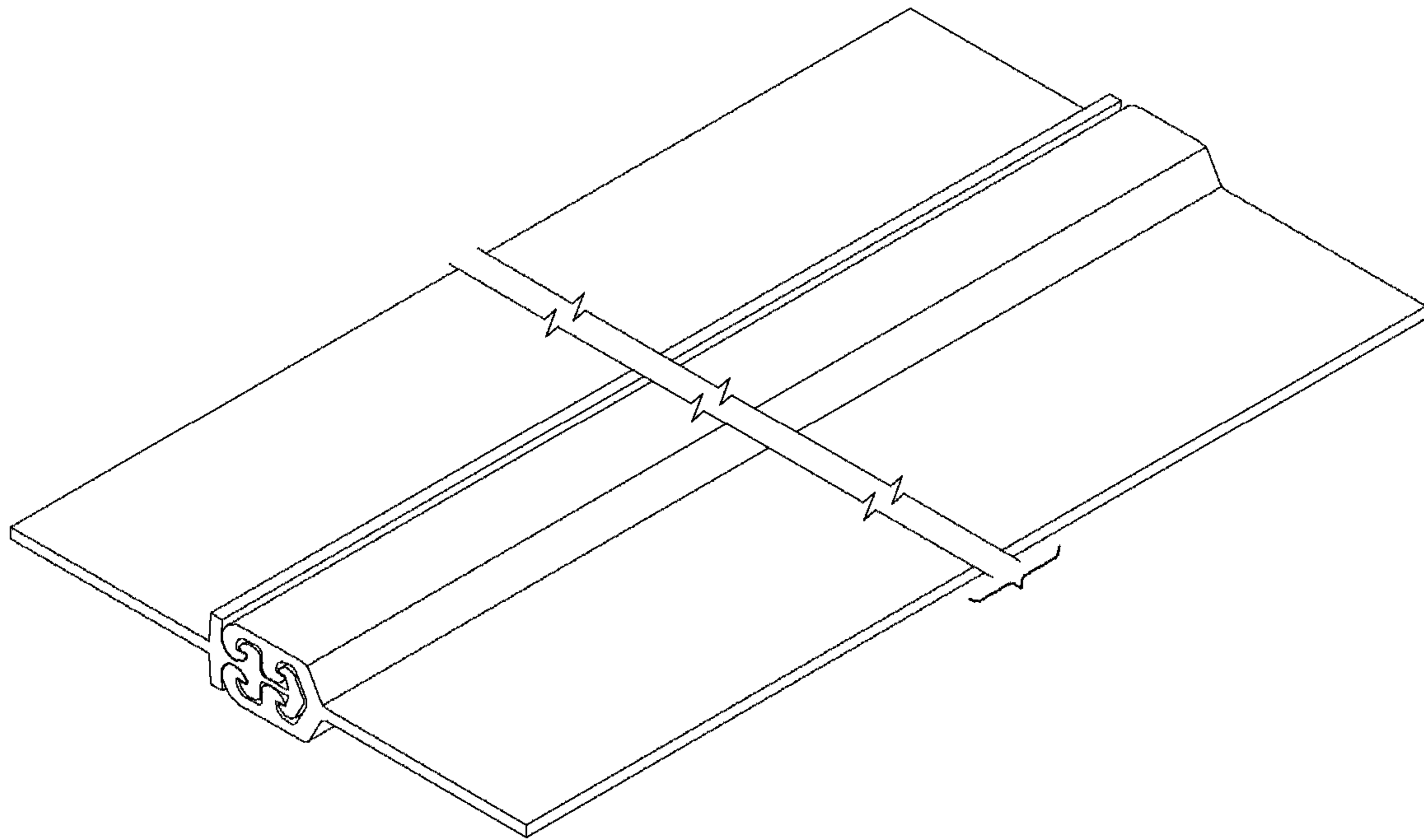


FIG. 2



FIG. 3



FIG. 4

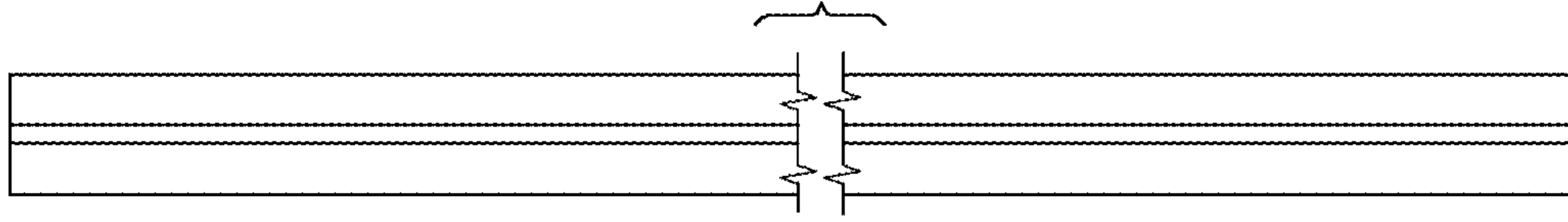


FIG. 5

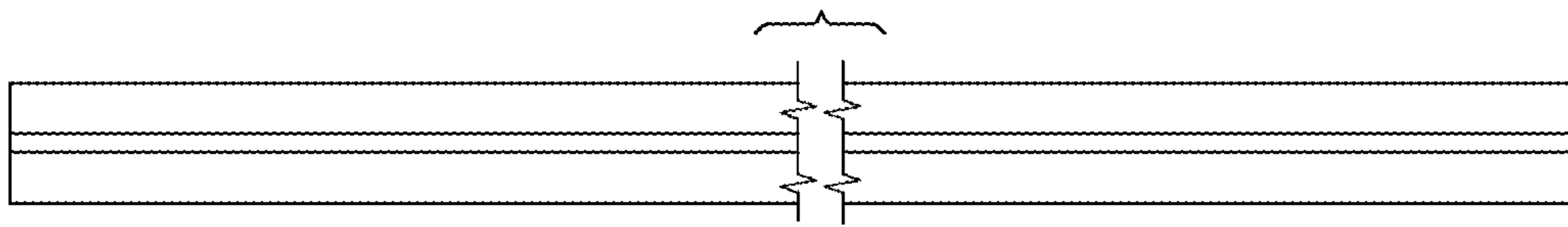


FIG. 6

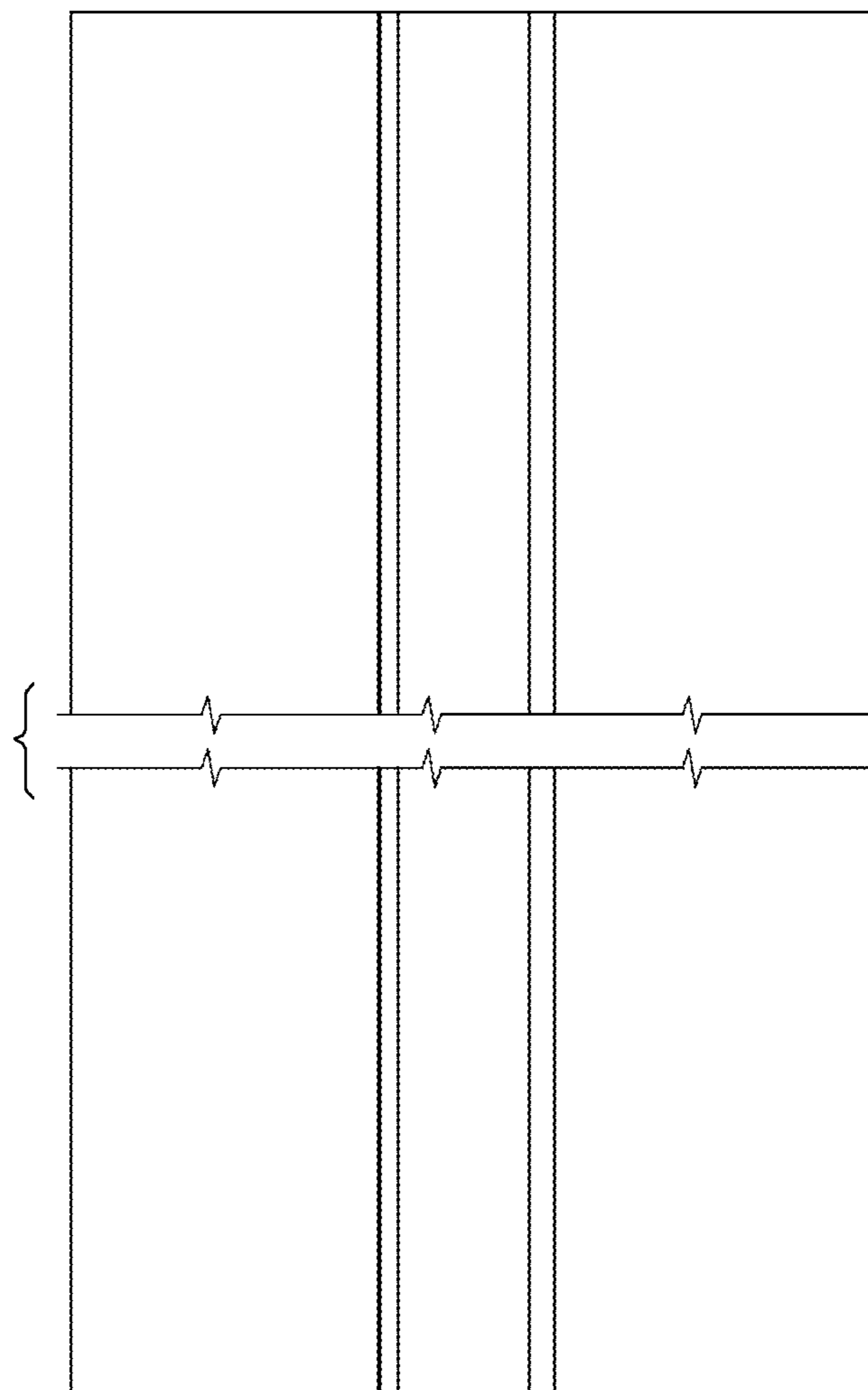


FIG. 7

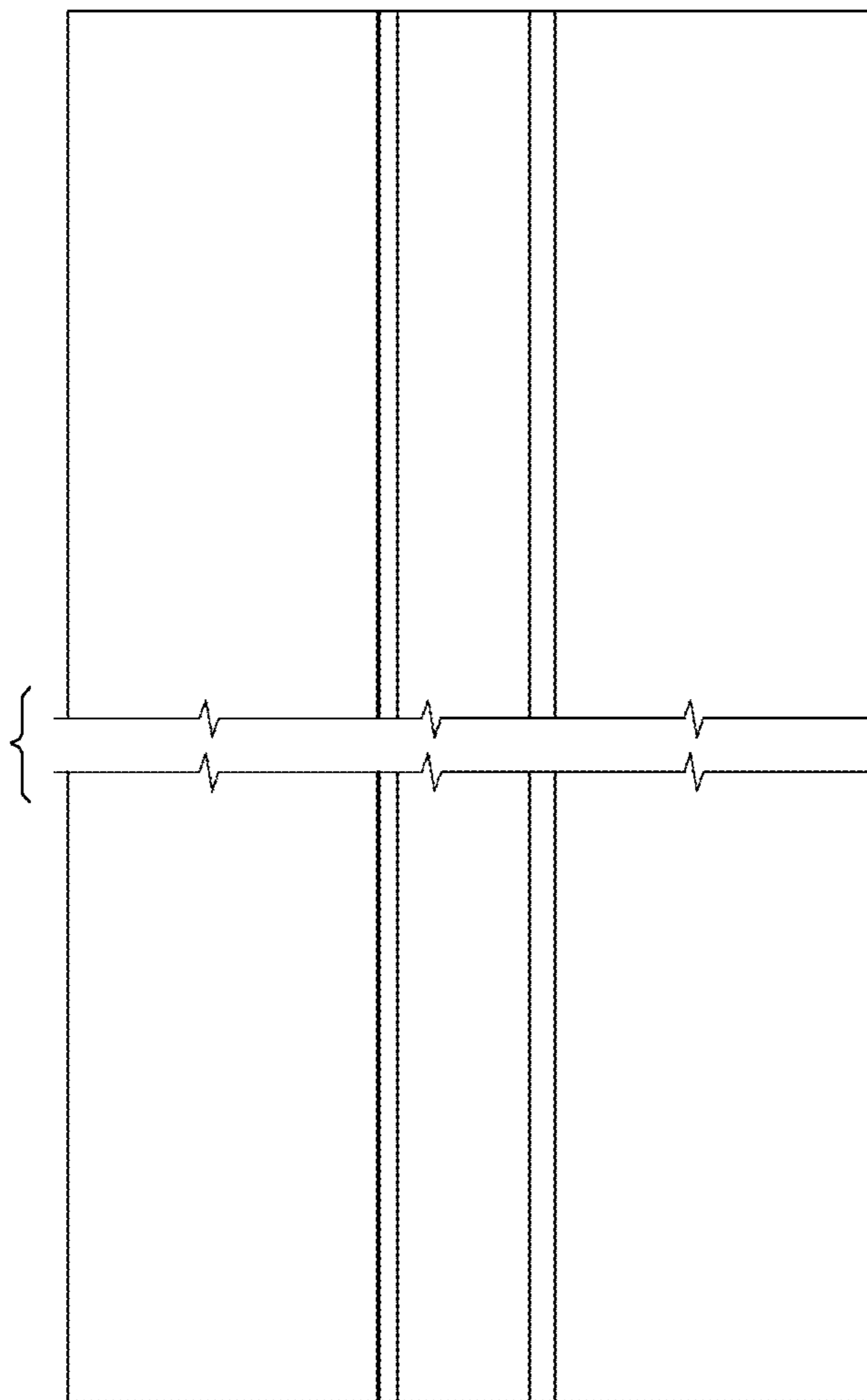


FIG. 8

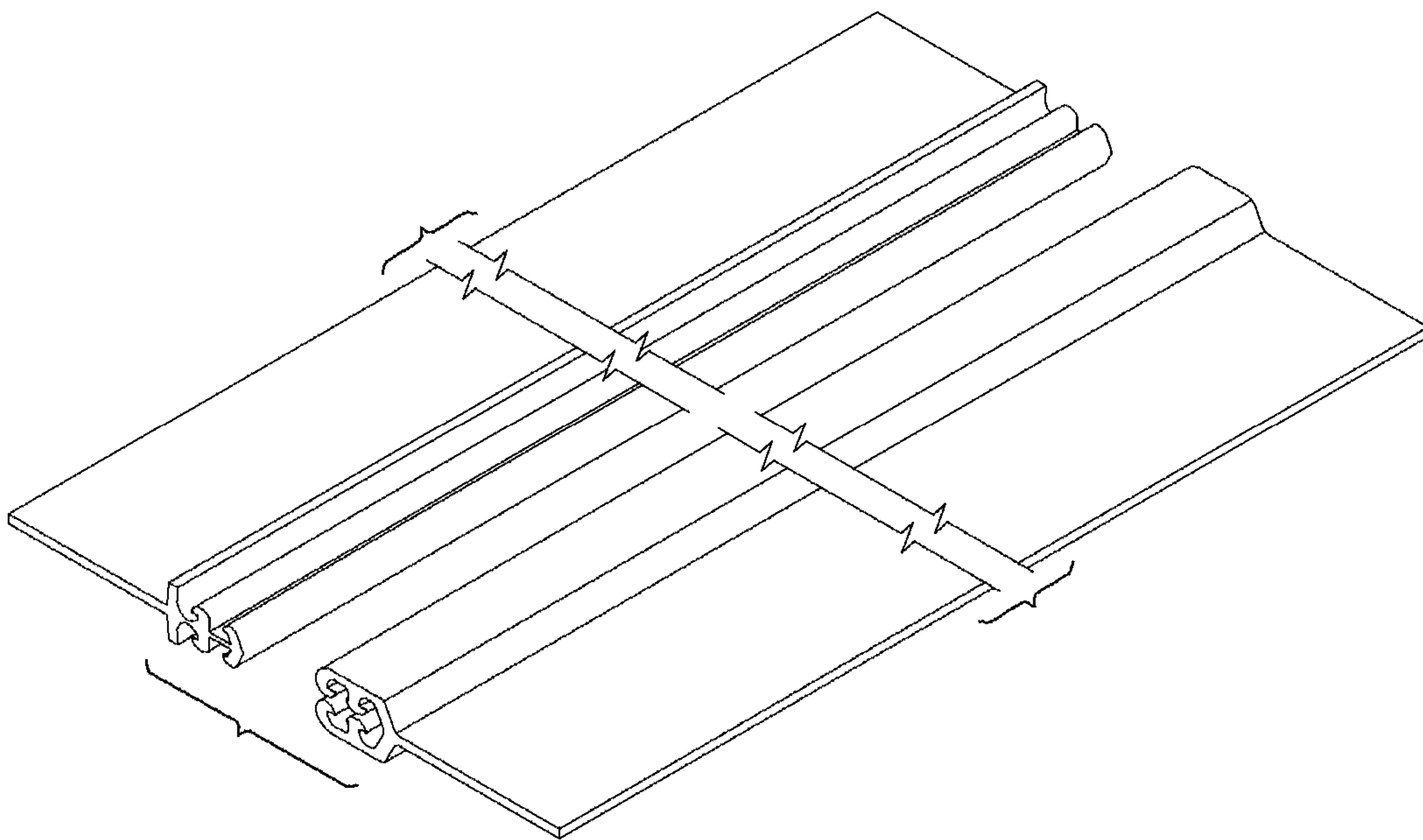


FIG. 9

