



US00D945313S

(12) **United States Design Patent**
Millward et al.

(10) **Patent No.:** **US D945,313 S**
(45) **Date of Patent:** **** Mar. 8, 2022**

(54) **BUCKLE**

(71) Applicant: **ILLINOIS TOOL WORKS INC.**,
Glenview, IL (US)

(72) Inventors: **Eric W. Millward**, Evanston, IL (US);
John S. Pontaoe, Chicago, IL (US);
Thomas A. Moeller, Reno, NV (US)

(73) Assignee: **Illinois Tool Works Inc.**, Glenview, IL
(US)

(**) Term: **15 Years**

(21) Appl. No.: **29/725,108**

(22) Filed: **Feb. 21, 2020**

(51) **LOC (13) Cl.** **02-07**

(52) **U.S. Cl.**
USPC **D11/216**

(58) **Field of Classification Search**
USPC D3/200, 201, 215, 222, 224, 226, 228,
D3/318, 323, 324; D11/87, 94, 200, 201,
D11/208-210, 212, 214, 215, 216, 218,
D11/220, 221, 228; D24/184; D29/100,
D29/122; D30/139, 152, 153; D22/108
CPC A44B 11/00; A44B 11/001; A44B 11/006;
A44B 11/04; A44B 11/06; A44B 11/065;
A44B 11/18; A44B 11/20; A44B 11/2538;
A44B 13/0047; A44B 19/00; A44B
19/26; Y10T 24/498; Y10T 24/1467;
Y10T 24/1488; B65D 65/06; A45F 3/005;
A45F 3/14; A45F 2003/144; A45F 5/021;
A45F 2200/0516; A45F 2200/0575; F41C
33/007; F41C 33/008

See application file for complete search history.

(56) **References Cited**

U.S. PATENT DOCUMENTS

5,546,887 A 8/1996 Cameron
D402,919 S * 12/1998 Anscher D11/218

D405,726 S * 2/1999 Krauss D11/218
D484,070 S * 12/2003 Buscart D11/216
6,668,428 B2 12/2003 Moeller
D491,102 S * 6/2004 Matoba D11/216
D523,376 S * 6/2006 Pontaoe D11/216
D535,213 S * 1/2007 Kolasa D11/216
7,302,742 B2 * 12/2007 Pontaoe A44B 11/266
24/614
7,581,509 B2 9/2009 Eventoff
8,256,072 B2 * 9/2012 Kolasa A44B 11/266
24/625
D685,292 S * 7/2013 Kataguchi D11/216
(Continued)

Primary Examiner — Richard Kearney

(74) *Attorney, Agent, or Firm* — Quarles & Brady LLP

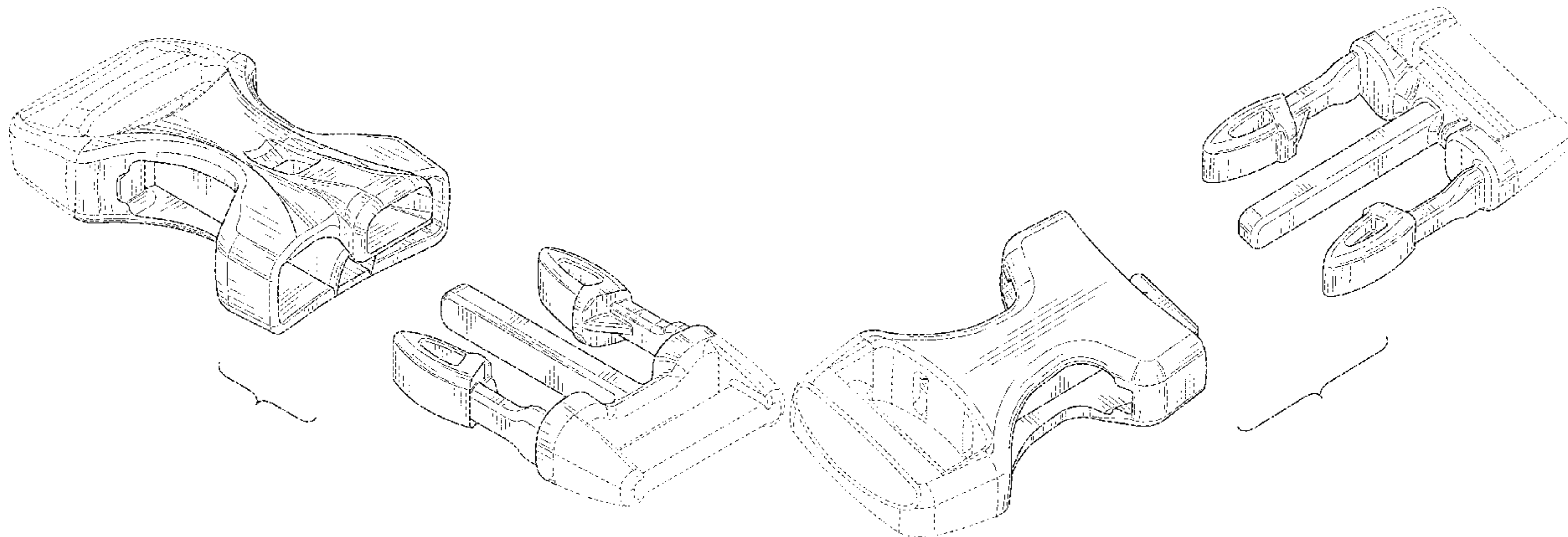
(57) **CLAIM**

The ornamental design for a buckle, as shown and described.

DESCRIPTION

FIG. 1 is an isometric view of a top, front, and left side of an ornamental design for a buckle in a first configuration; FIG. 2 is a front elevational view of the buckle of FIG. 1; FIG. 3 is a rear elevational view of the buckle of FIG. 1; FIG. 4 is a right side elevational view of the buckle of FIG. 1; FIG. 5 is a left side elevational view of the buckle of FIG. 1; FIG. 6 is a top plan view of the buckle of FIG. 1; FIG. 7 is a bottom plan view of the buckle of FIG. 1; FIG. 8 is an isometric view of a bottom, rear, and right side of the buckle of FIG. 1; and, FIG. 9 is an isometric view of a top, front, and left side of the buckle of FIG. 1 in a second configuration. The dash-dash-dash broken lines are included for the purpose of illustrating portions that form no part of the claimed design. The dash-dot-dash lines depict boundary lines and form no part of the claimed design.

1 Claim, 9 Drawing Sheets



(56)

References Cited

U.S. PATENT DOCUMENTS

8,776,713	B2	7/2014	Shishido	
D743,289	S	11/2015	Mundhra	
D770,939	S *	11/2016	Kolasa	D11/216
10,130,146	B2 *	11/2018	Kolasa	A44B 11/266
D866,391	S *	11/2019	Paik	D11/218
D868,623	S *	12/2019	Acuna	D11/216
D877,655	S *	3/2020	Lin	D11/216
D896,694	S *	9/2020	Paik	D11/216
11,089,842	B2	8/2021	Millward et al.	
2003/0116078	A1	6/2003	Topman et al.	
2005/0237736	A1	10/2005	Wimsatt	
2010/0115736	A1	5/2010	Paik	
2015/0366298	A1 *	12/2015	Blackman	F23Q 1/06 431/253
2019/0069643	A1 *	3/2019	Chan	A44B 11/266
2019/0200709	A1 *	7/2019	Paik	G10K 5/00
2020/0107616	A1 *	4/2020	Alley	A44B 11/266
2020/0359761	A1 *	11/2020	Paik	A44B 11/005

* cited by examiner

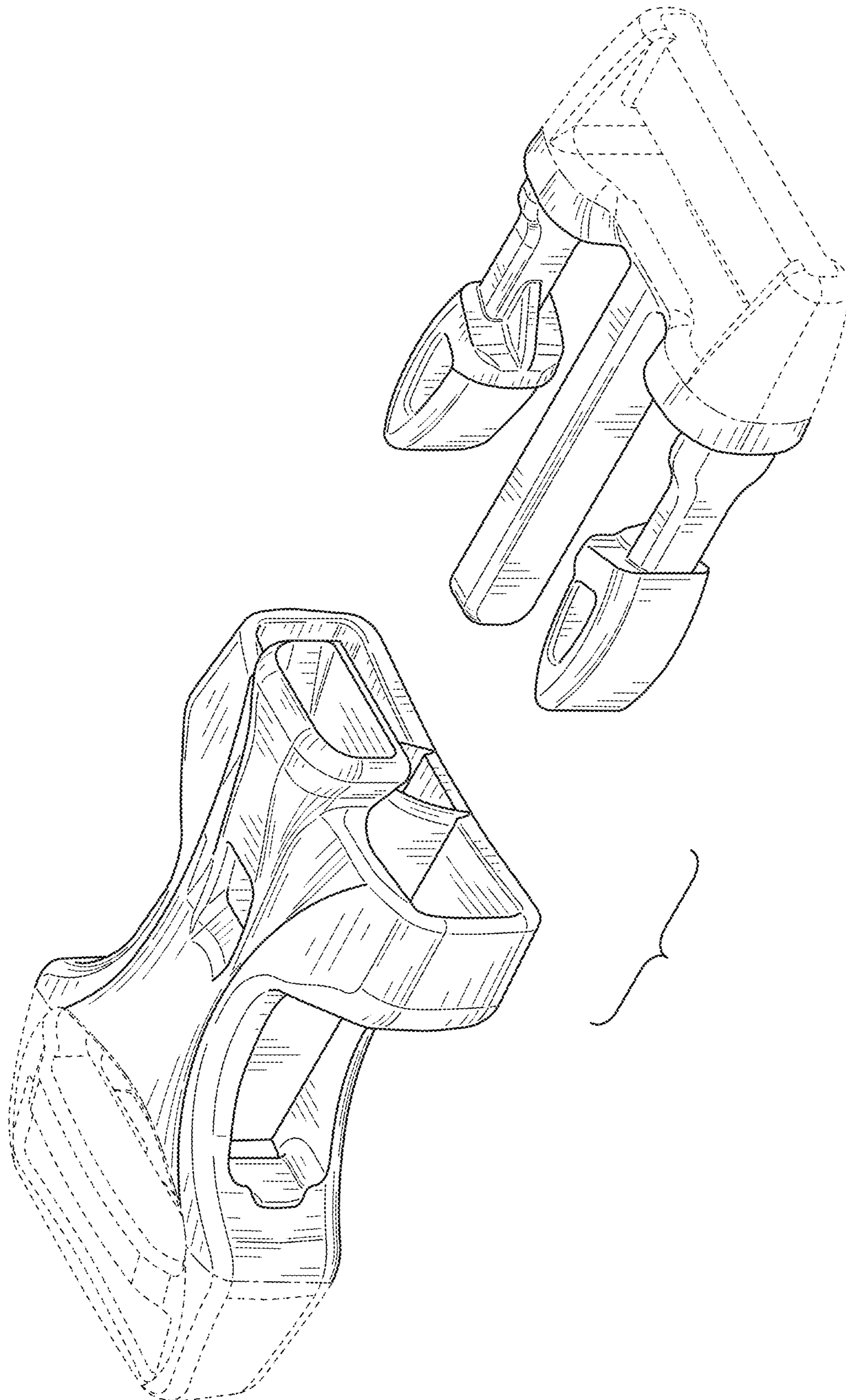


FIG. 1

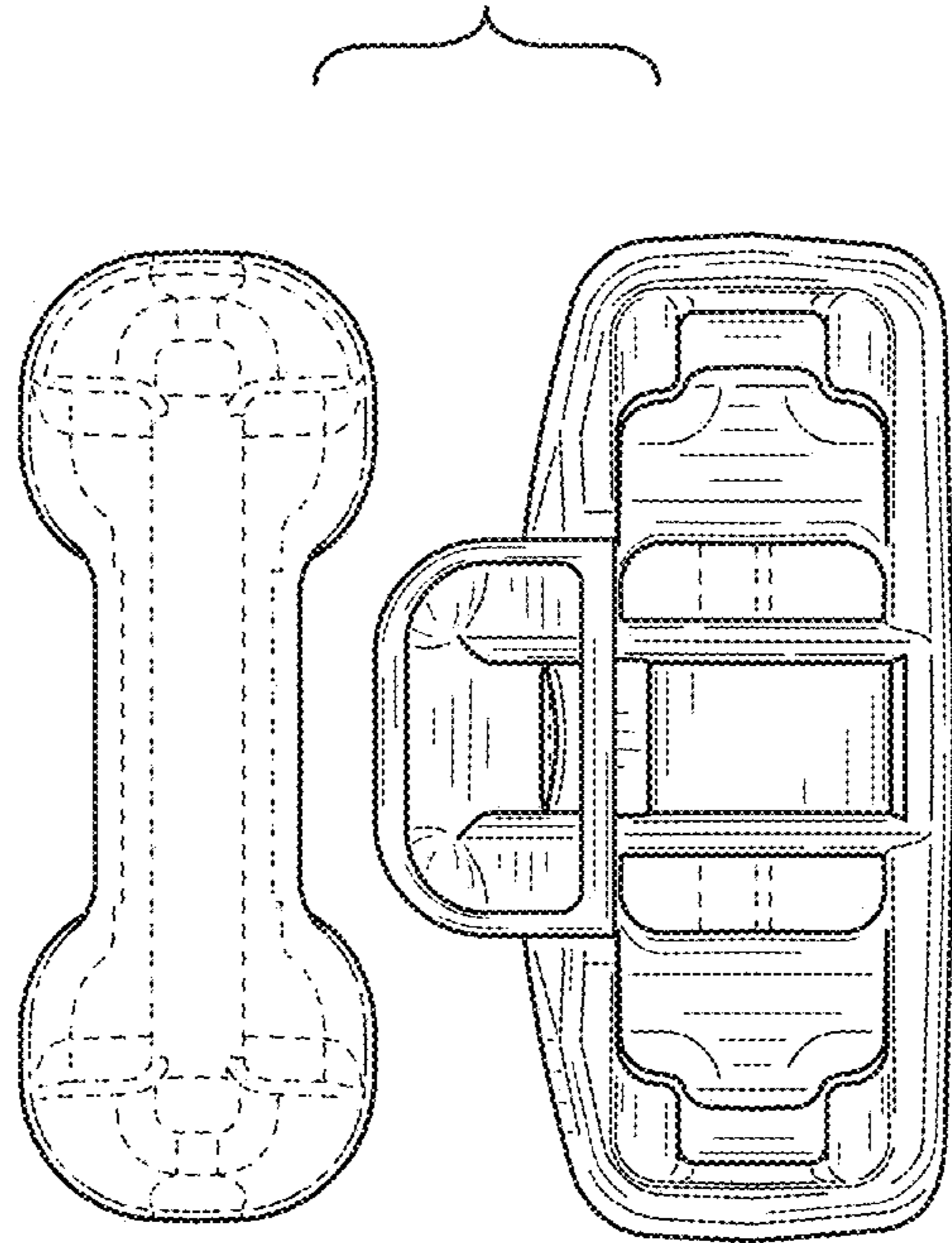


FIG. 2

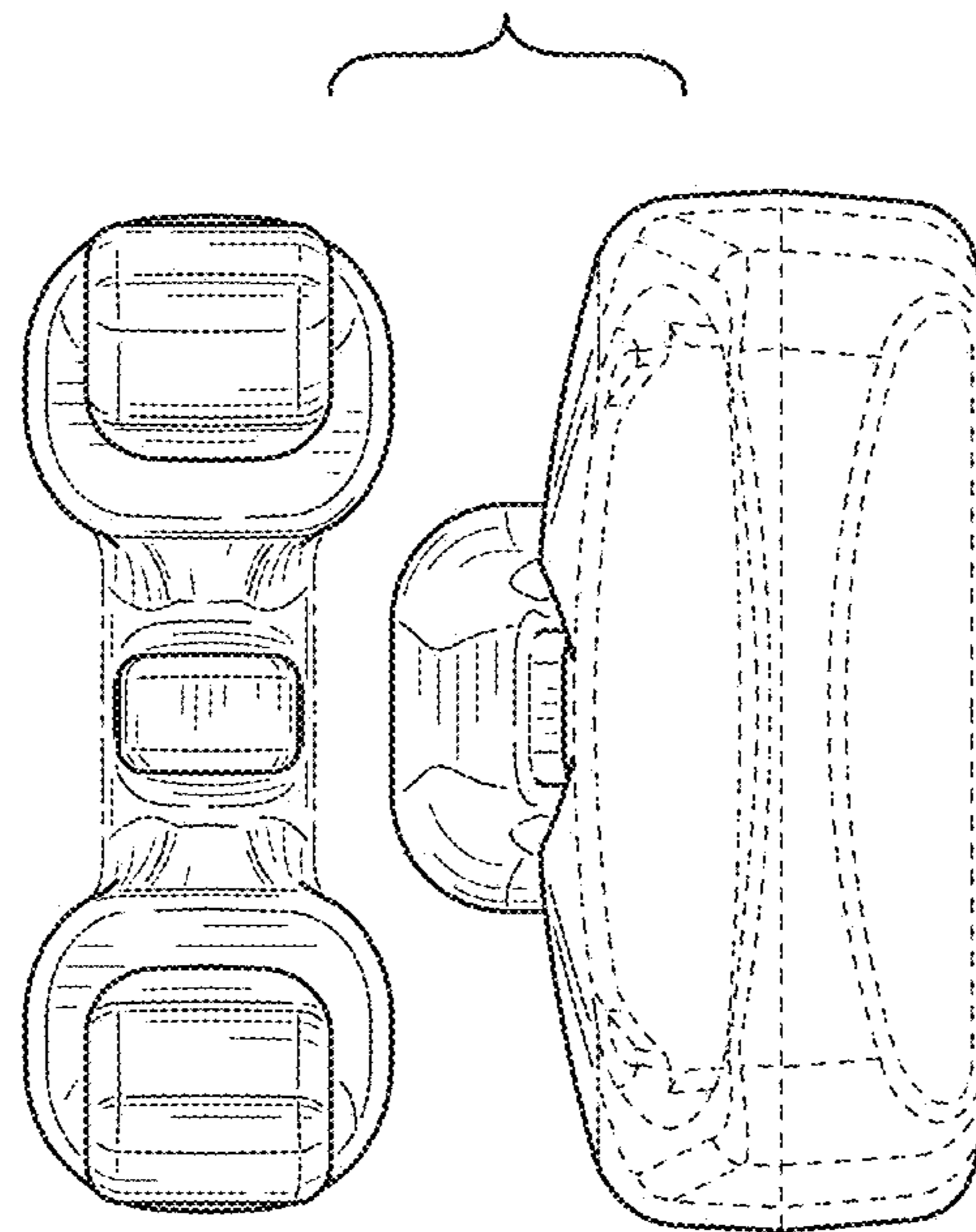


FIG. 3

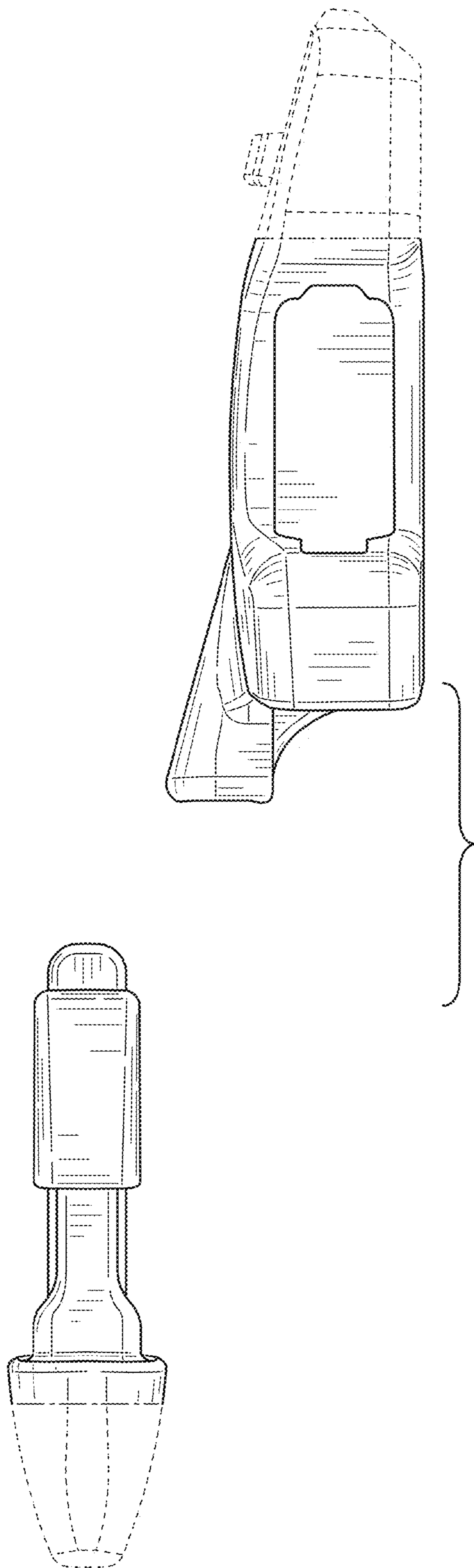


FIG. 4

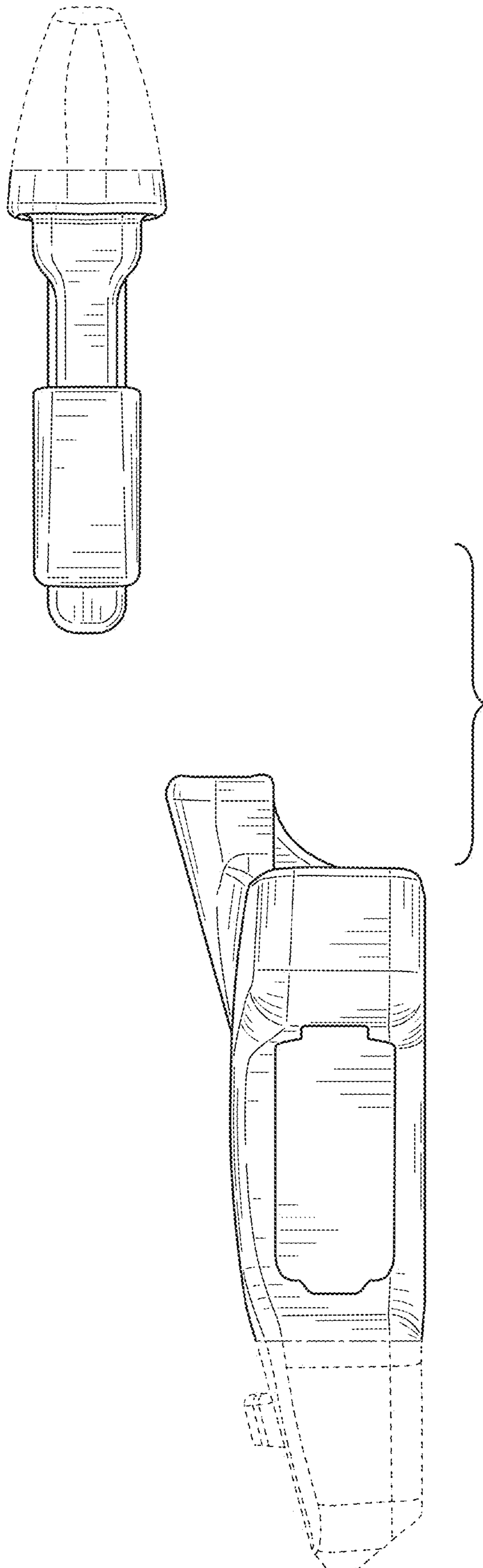


FIG. 5

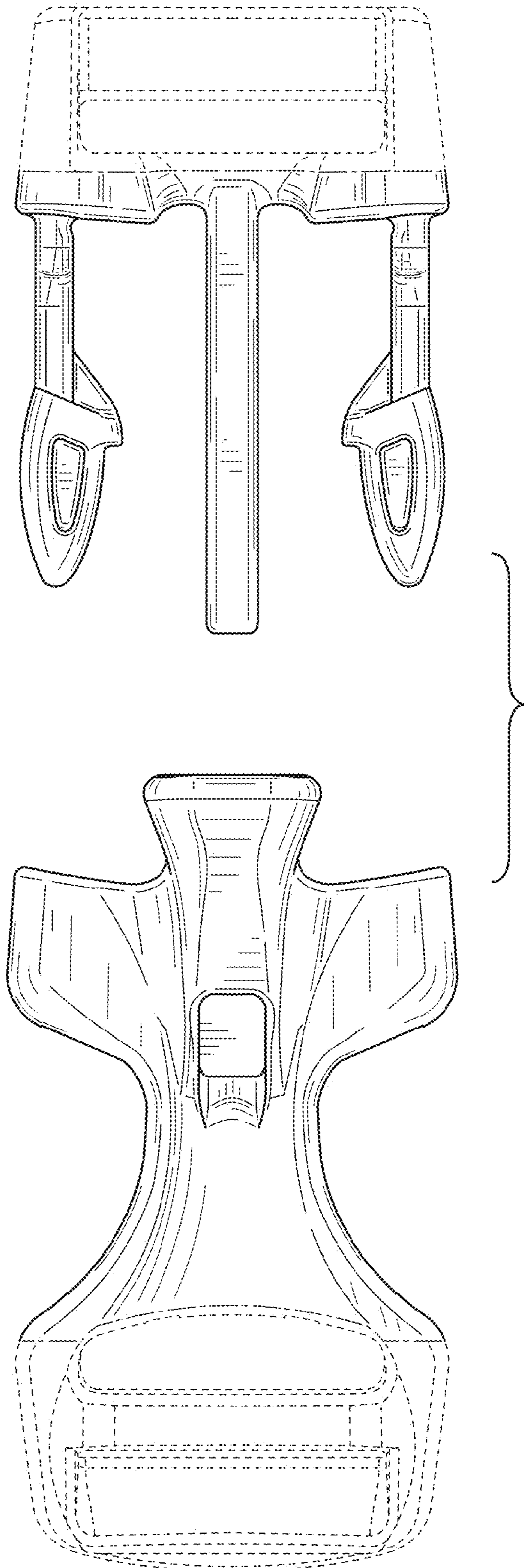


FIG. 6

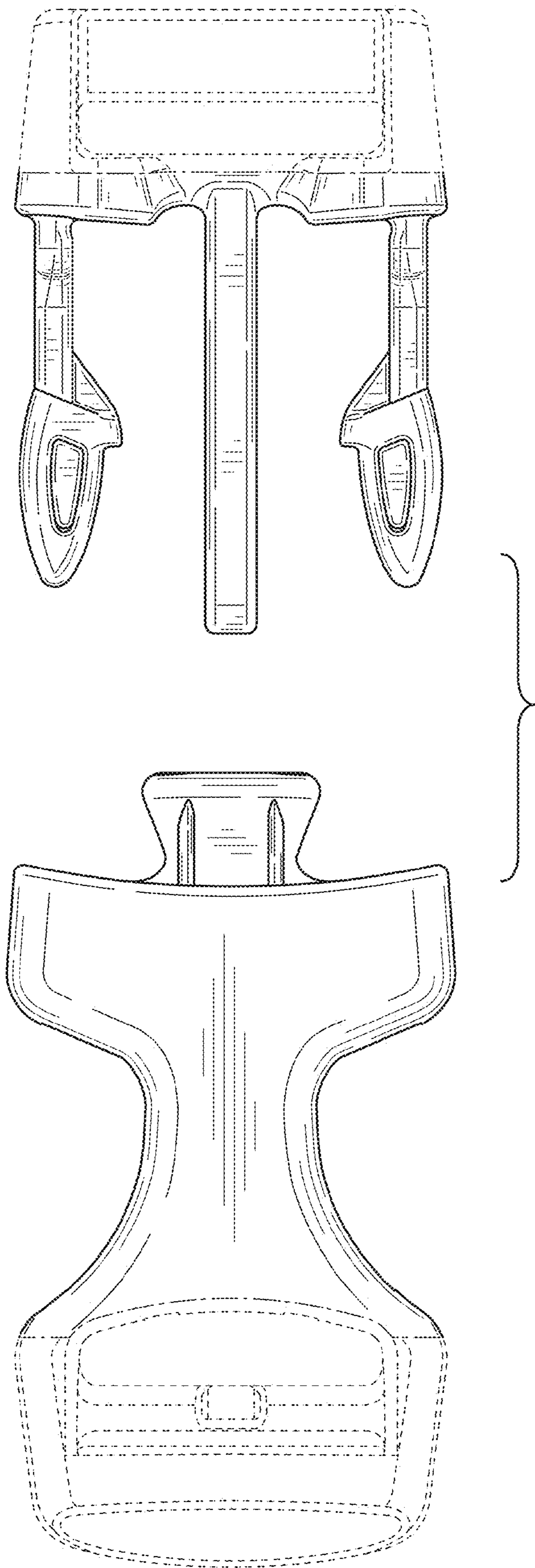


FIG. 7

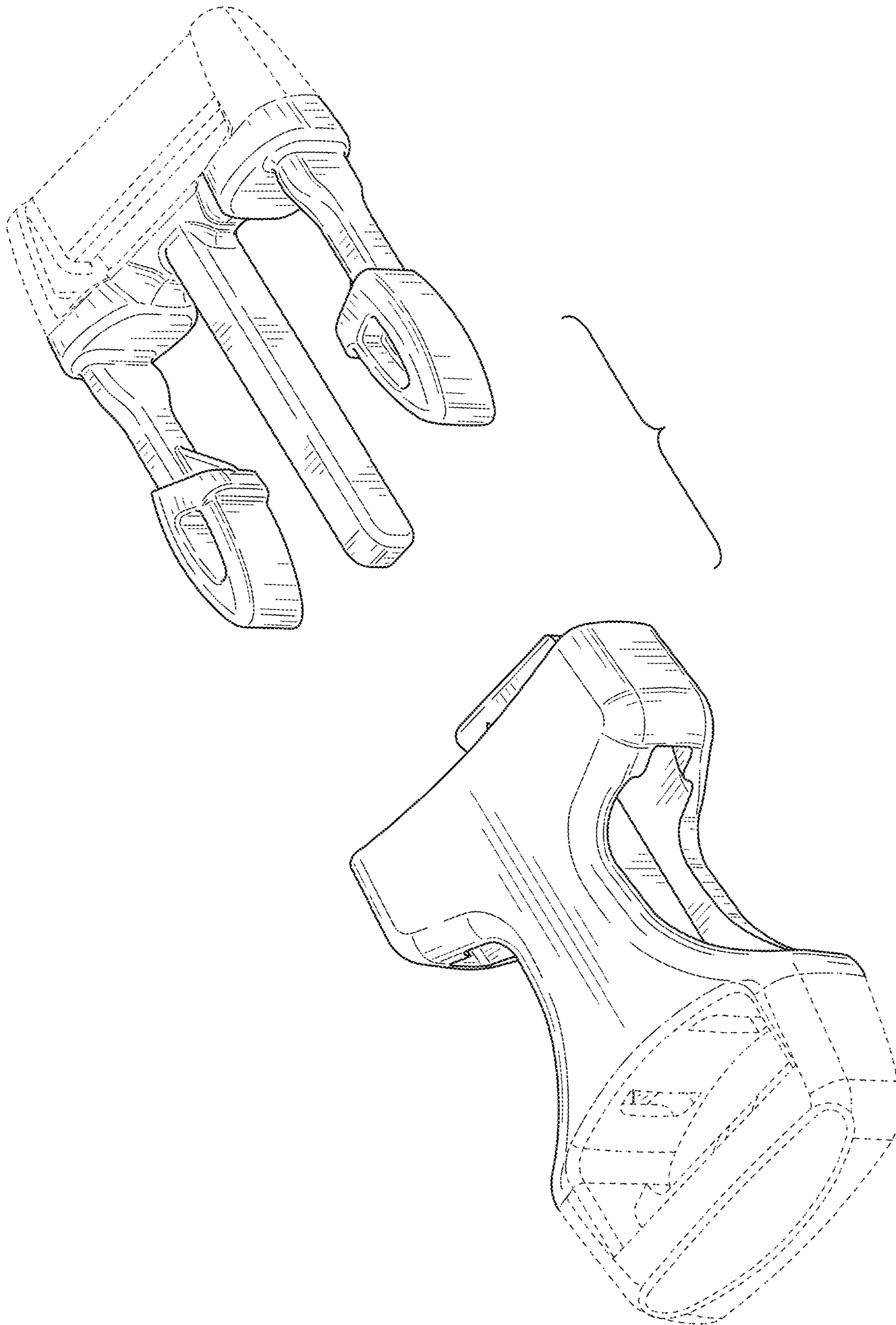


FIG. 8

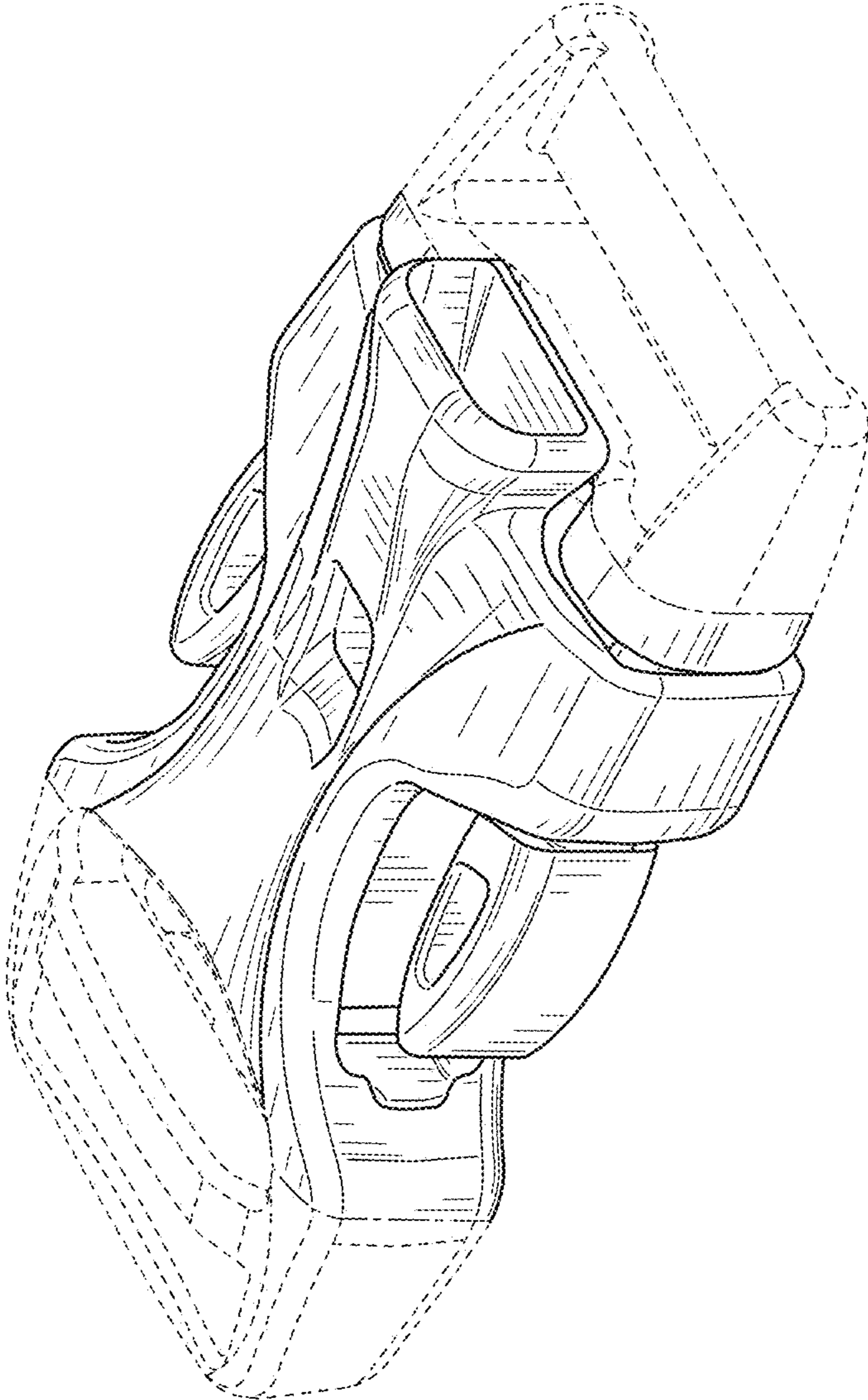


FIG. 9