



US00D945311S

(12) **United States Design Patent**
Zhao

(10) **Patent No.:** **US D945,311 S**
(45) **Date of Patent:** **** Mar. 8, 2022**

- (54) **STAND FOR CHRISTMAS TREE**
- (71) Applicant: **NINGBO FLYING-HORSE INTERNATIONAL TRADE CO., LTD**, Ningbo (CN)
- (72) Inventor: **Honghua Zhao**, Ningbo (CN)
- (**) Term: **15 Years**
- (21) Appl. No.: **29/681,128**
- (22) Filed: **Feb. 22, 2019**
- (30) **Foreign Application Priority Data**
Sep. 18, 2018 (CN) 201830524262.7
- (51) **LOC (13) Cl.** **06-99**
- (52) **U.S. Cl.**
USPC **D11/130.1**
- (58) **Field of Classification Search**
USPC ... D11/117, 121, 130, 130.1, 131, 143, 144, D11/152, 153, 154; 428/7, 8, 9, 12, 15, 428/19, 20; 248/519, 523-526; 47/39, 47/40.5, 41.1, 41.11-41.15, 42, 43
CPC . E04H 12/2238; E04H 12/3346; A47G 33/12; A47G 33/1206; A47G 33/1226; A47G 33/1246; A47G 33/126
See application file for complete search history.

- 3,838,838 A * 10/1974 Seaman, Jr. A47G 33/12 248/537
- D287,831 S * 1/1987 Stephan D11/130.1
- D318,634 S * 7/1991 Tobin D11/130.1
- D329,208 S * 9/1992 Bowling D11/130.1
- D330,875 S * 11/1992 Boucher D11/130.1
- D349,259 S * 8/1994 Adam D11/130.1
- D359,462 S * 6/1995 Manuel D11/130.1
- D370,185 S * 5/1996 Grimm D11/130.1

(Continued)

OTHER PUBLICATIONS

Metal Revolving Tree Stand for Artificial Trees, <https://www.homedepot.com/p/National-Tree-Company-Metal-Revolving-Tree-Stand-for-Artificial-Trees-RS-2/205331336>, 2021 (Year: 2021).*

(Continued)

Primary Examiner — Elizabeth J Oswecki

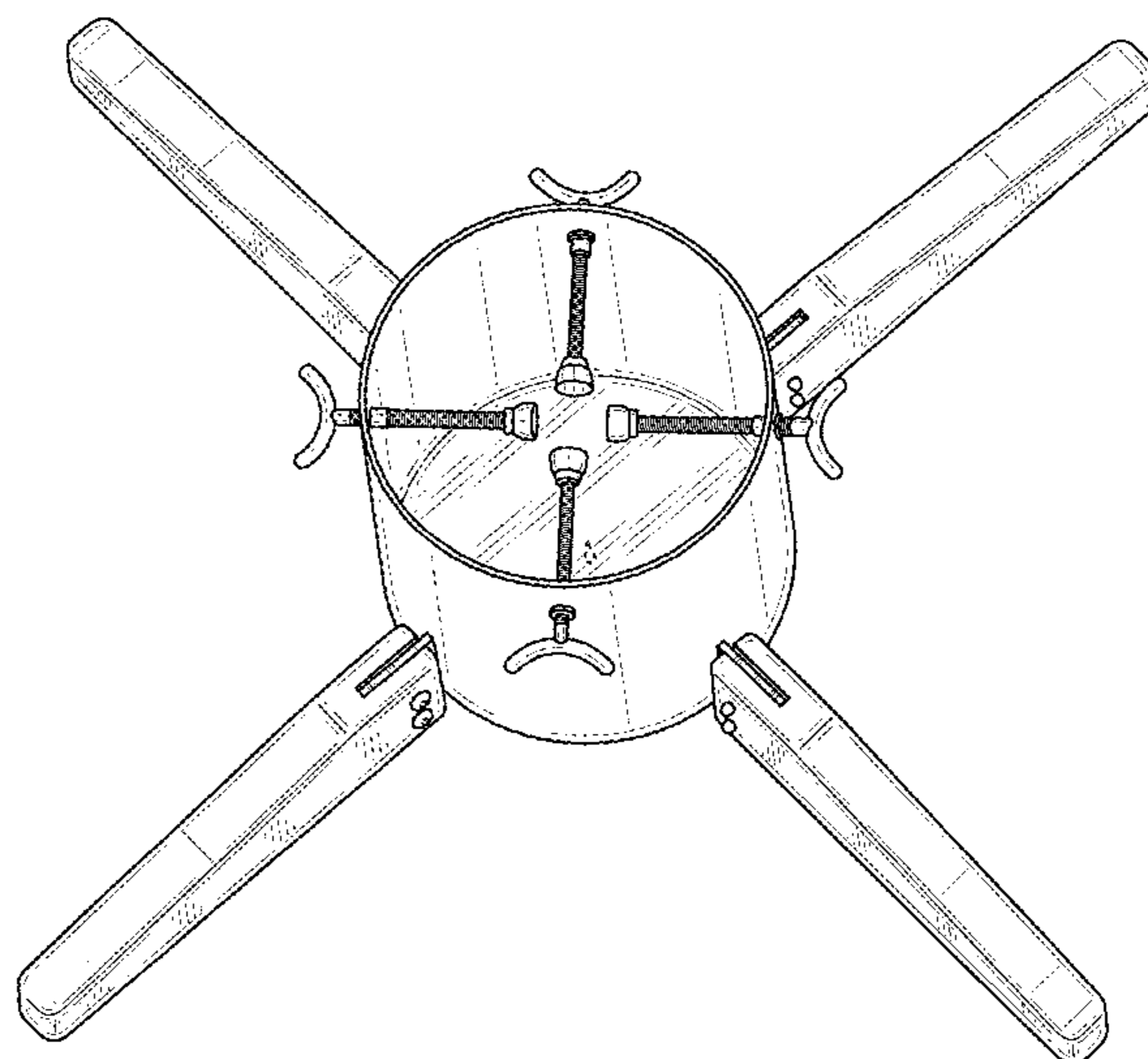
(57) **CLAIM**

The ornamental design for a stand for Christmas tree, as shown and described.

DESCRIPTION

FIG. 1 is a perspective view of a stand for Christmas tree showing my new design;
FIG. 2 is a front elevational view thereof;
FIG. 3 is a rear elevational view thereof;
FIG. 4 is a left side elevational view thereof;
FIG. 5 is a right side elevational view thereof;
FIG. 6 is a top plan view thereof;
FIG. 7 is a bottom plan view thereof; and,
FIG. 8 is an enlarged portion view taken from encircled portion labeled "FIG. 8" in FIG. 6.
The even dashed broken lines represent unclaimed environment and form no part of the claimed design. The dash-dot lines represent the boundary line of the enlarged portion view of FIG. 8 shown in FIGS. 6 and 8.

1 Claim, 8 Drawing Sheets



(56)

References Cited

U.S. PATENT DOCUMENTS

D374,195 S * 10/1996 Wright D11/130.1
D381,598 S * 7/1997 Roberts D11/130.1
D382,227 S * 8/1997 Adams D11/130.1
D396,824 S * 8/1998 Bolster D11/130.1
D403,980 S * 1/1999 Conway D11/130.1
D418,082 S * 12/1999 Baumann D11/130.1
D451,839 S * 12/2001 Pomeroy D11/130.1
D454,518 S * 3/2002 Krinner D11/130.1
D480,014 S * 9/2003 Goerke D11/130.1
D497,832 S * 11/2004 Glover D11/130.1
D503,357 S * 3/2005 Tsai D11/130.1
D572,167 S * 7/2008 Boucher D11/130
D575,188 S * 8/2008 Bycraft D11/130
D667,336 S * 9/2012 Tsai D11/130.1
D807,225 S * 1/2018 Zhao D11/130.1
D825,375 S * 8/2018 Zhao D11/130.1
D831,531 S * 10/2018 Zhao D11/130.1
D863,100 S * 10/2019 Zhao D11/130.1
D904,222 S * 12/2020 Zhao D11/130.1

OTHER PUBLICATIONS

Goliath Welded Steel Christmas Tree Stand for Live Trees 5 to 12 Foot, [* cited by examiner](https://www.amazon.com/Goliath-welded-steel-Christmas-Tree/dp/B01N8VQ730/ref=asc_df_B01N8VQ730?tag=bingshoppinga-20&linkCode=df0&hvadid=79920803409646&hvnetw=o&hvqmt=e&hvbmt=be&hvdev=c&hvlocint=&hvlocphy=&hvtargid,Dec. 8, 2018 (Year: 2018).*</p></div><div data-bbox=)

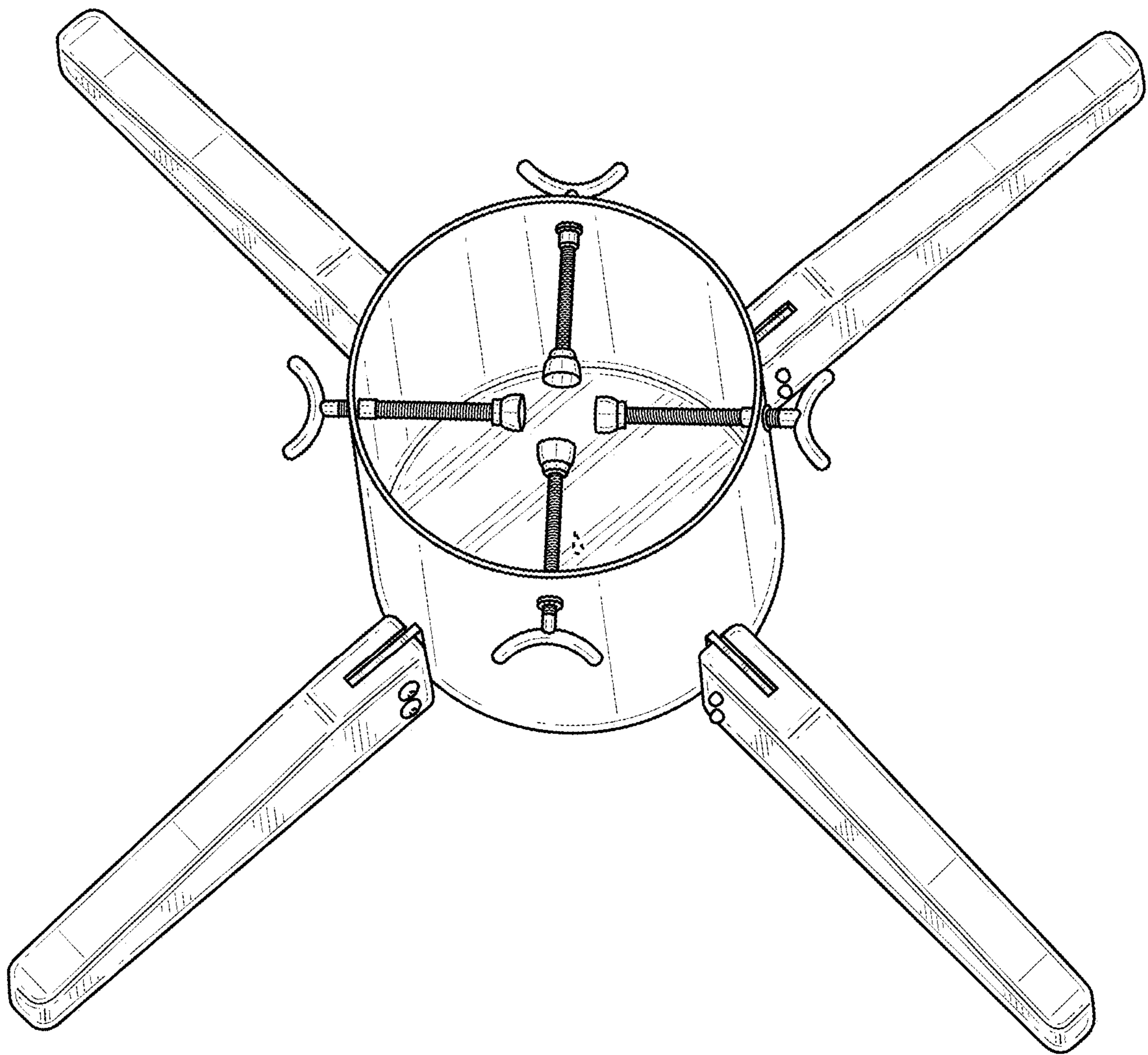


FIG. 1

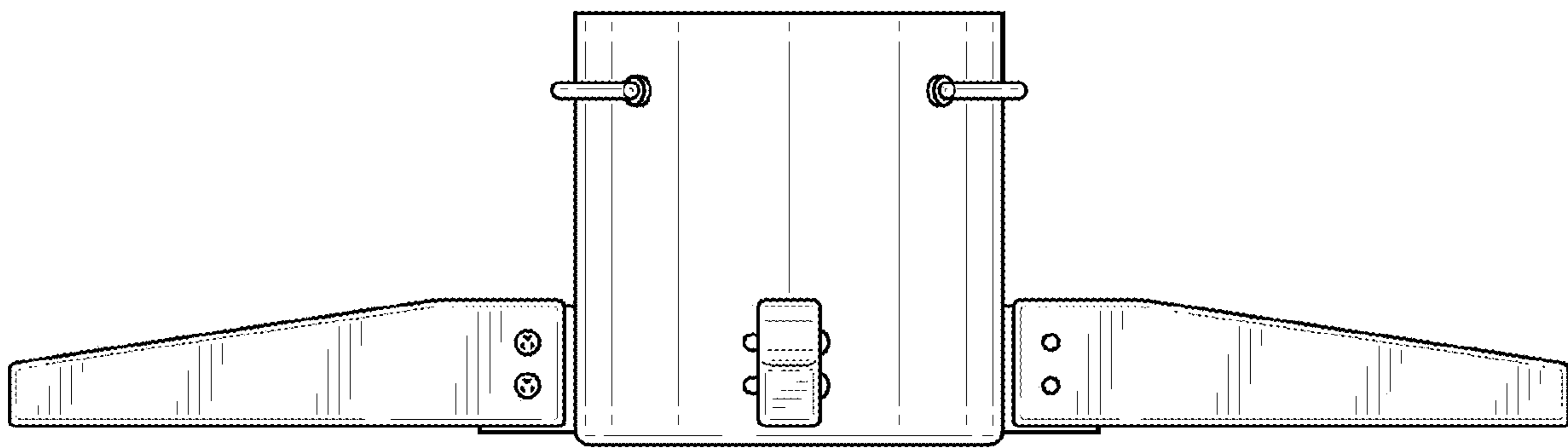


FIG. 2

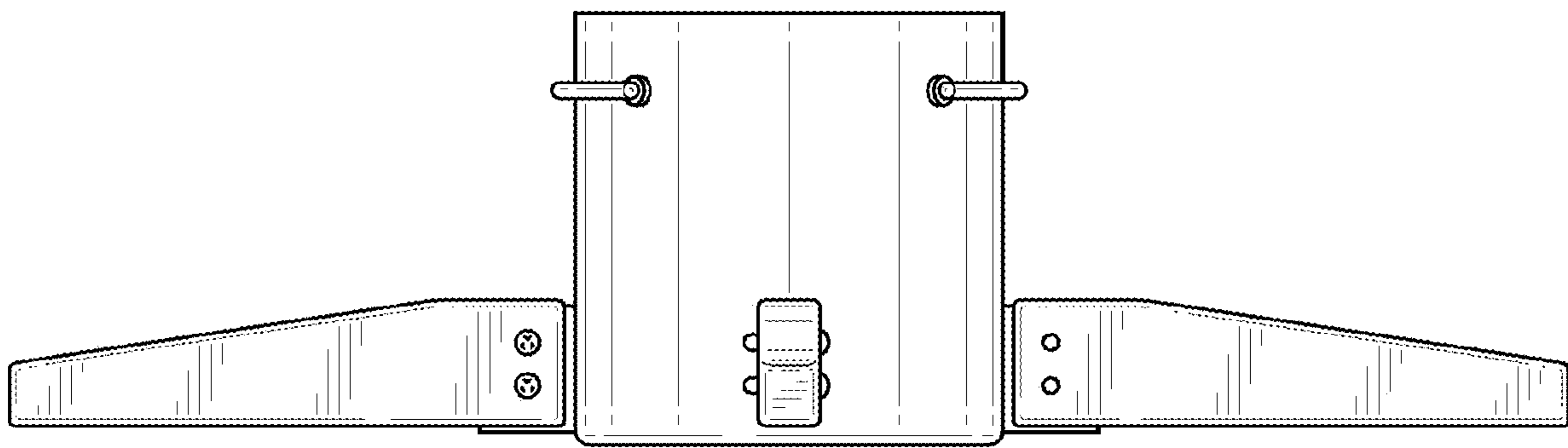


FIG. 3

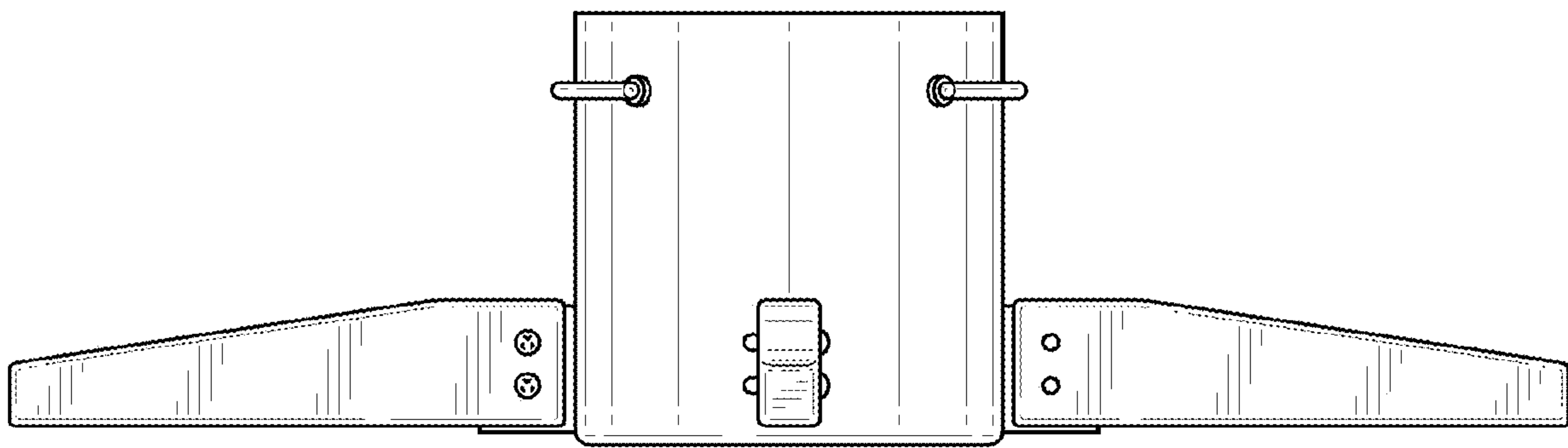


FIG. 4

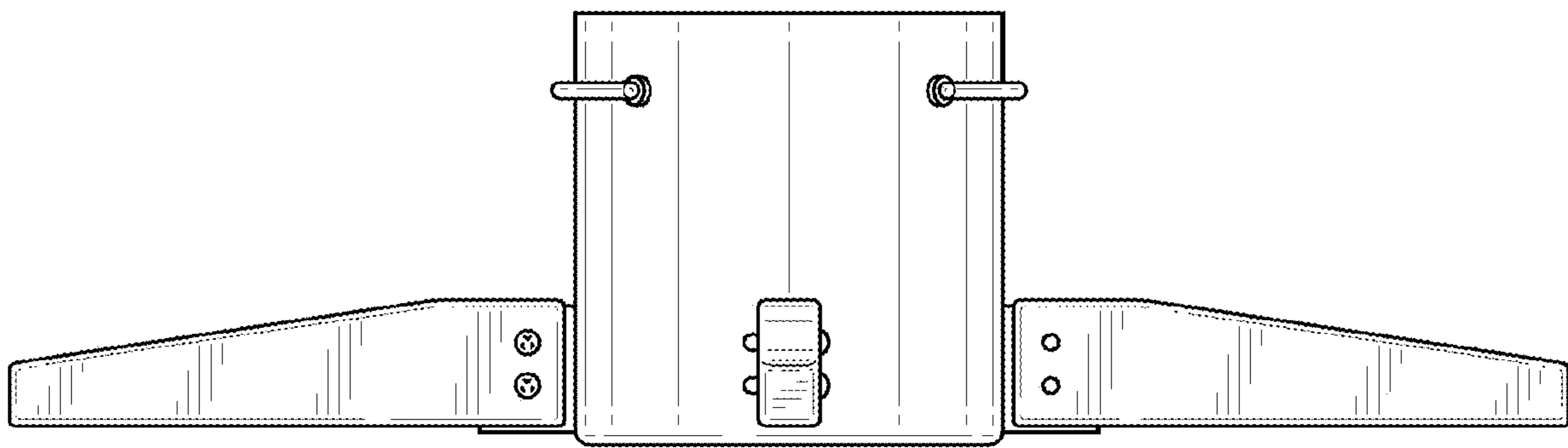


FIG. 5

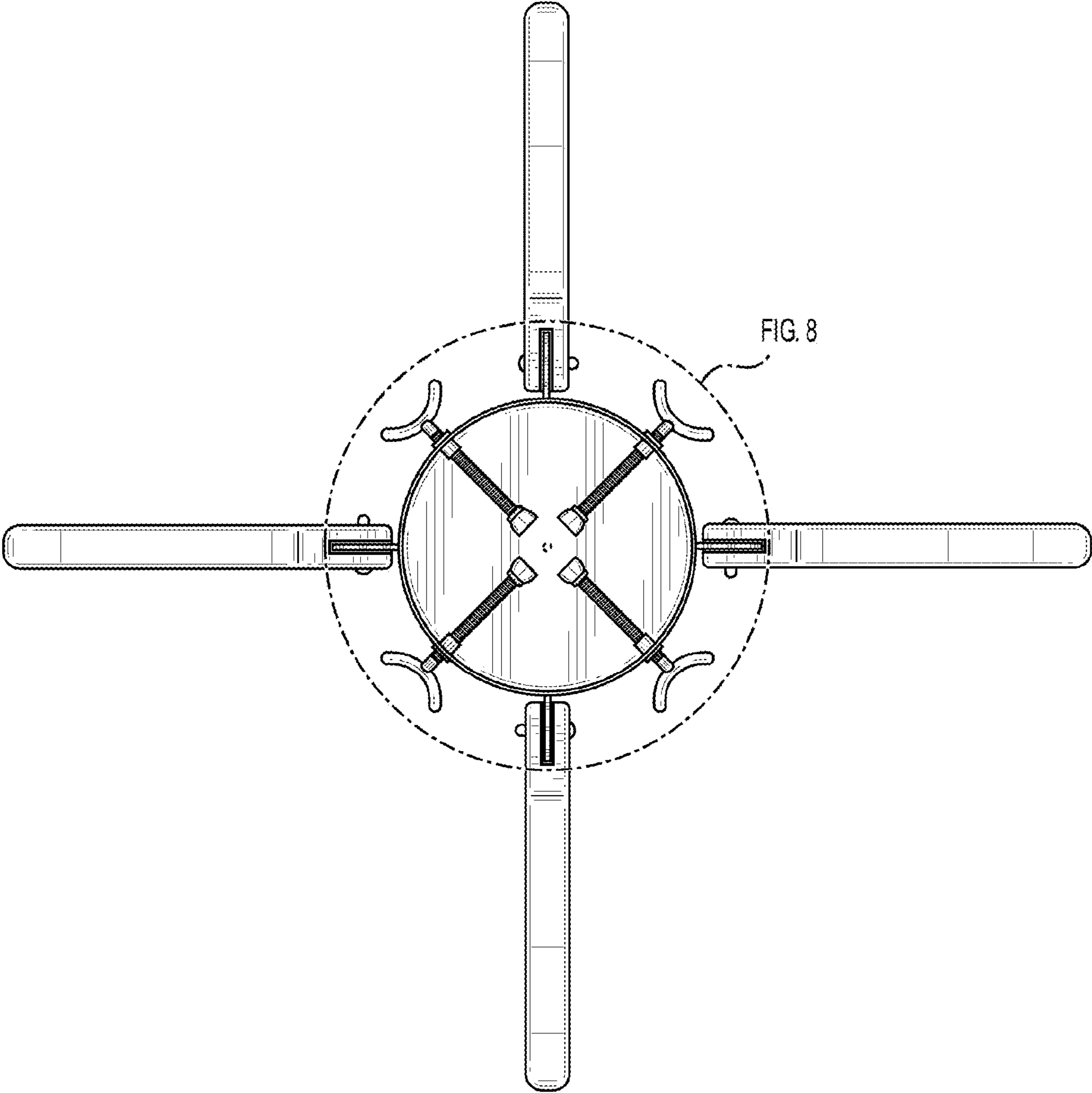


FIG. 6

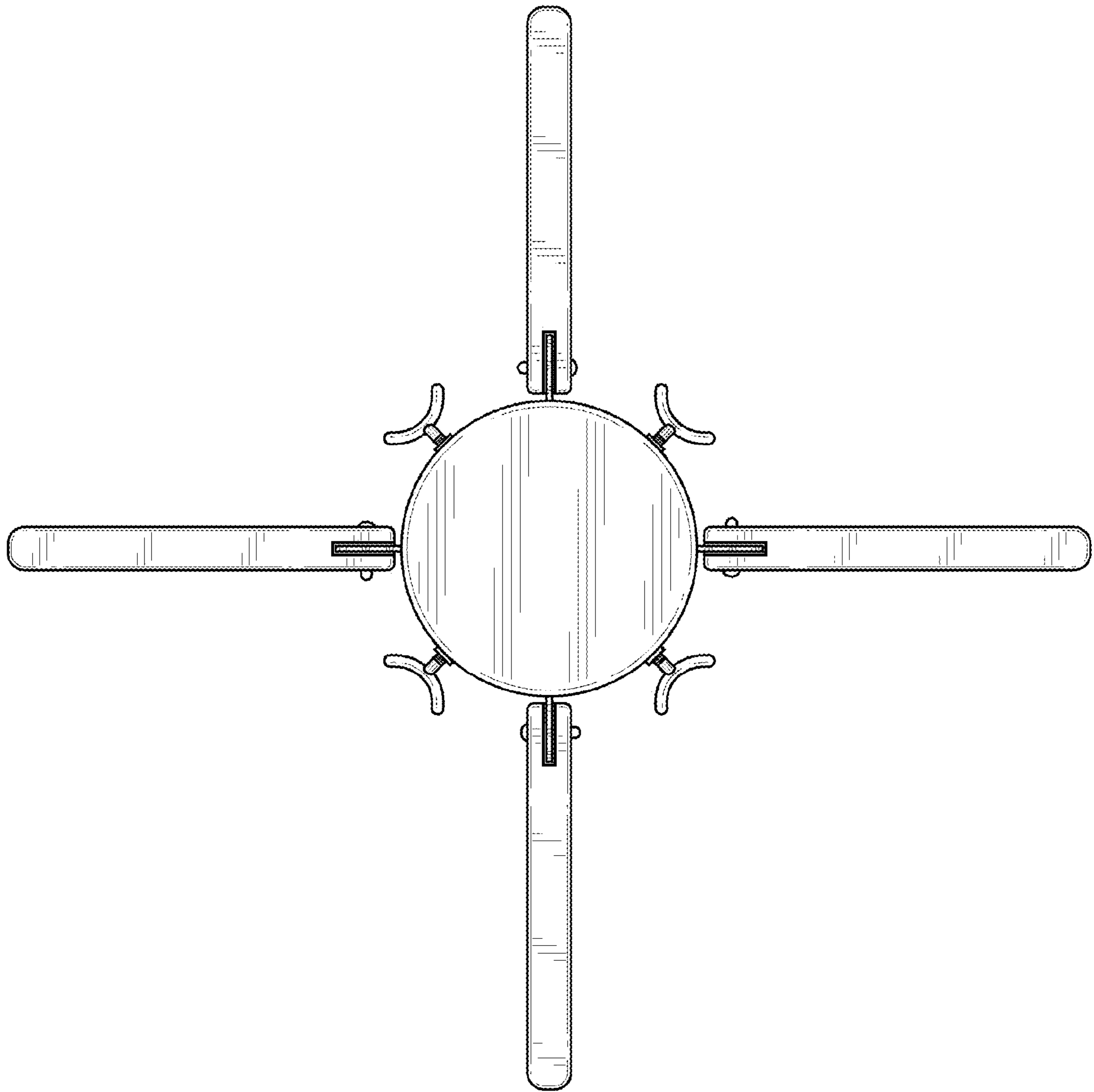


FIG. 7

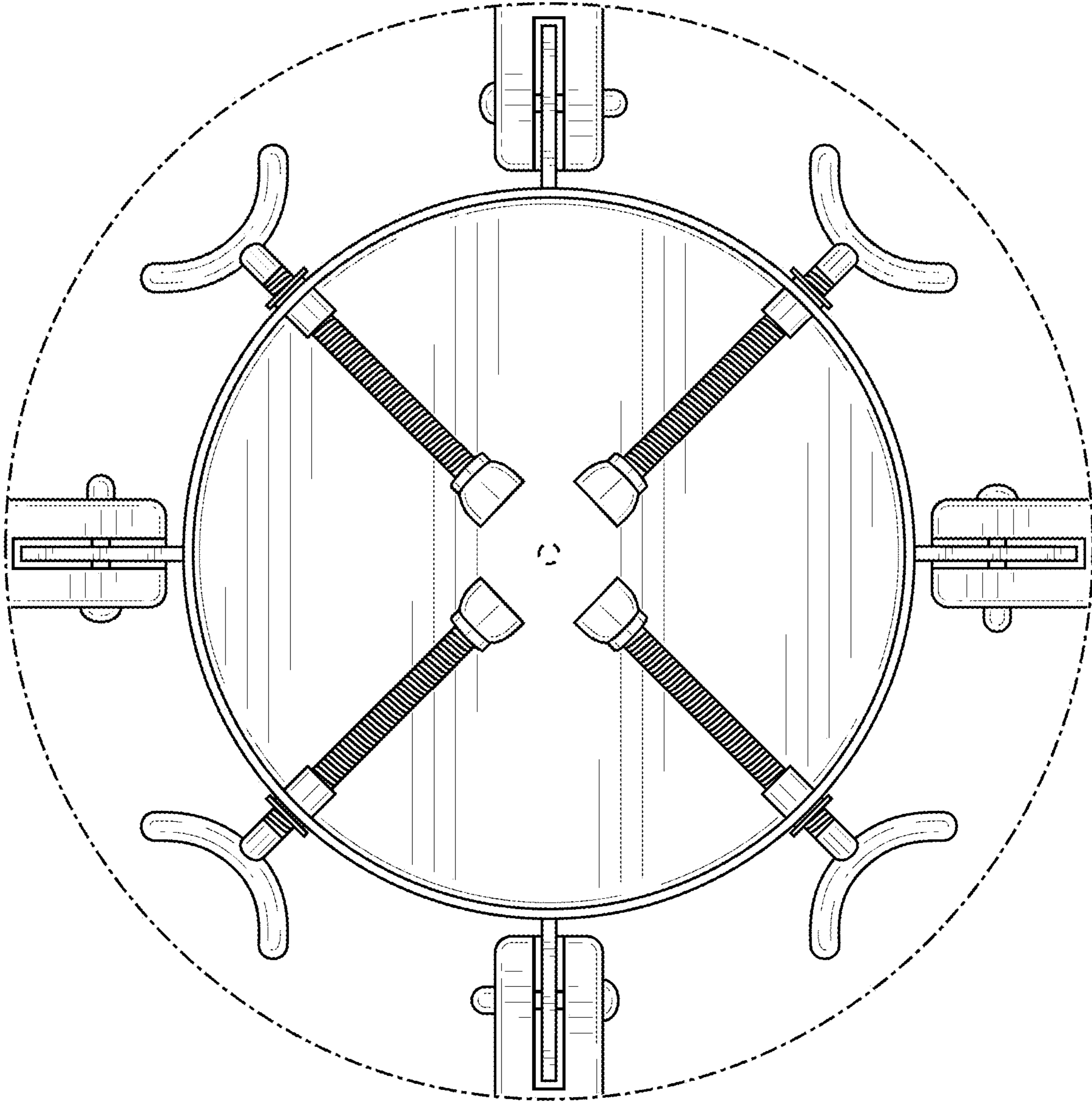


FIG. 8