

US00D945301S

(12) **United States Design Patent**
Chen

(10) **Patent No.:** **US D945,301 S**
(45) **Date of Patent:** **** Mar. 8, 2022**

- (54) **WATCHBAND**
- (71) Applicant: **Zhi Qiang Chen**, Dongguan (CN)
- (72) Inventor: **Zhi Qiang Chen**, Dongguan (CN)
- (**) Term: **15 Years**
- (21) Appl. No.: **29/695,120**
- (22) Filed: **Jun. 17, 2019**
- (51) **LOC (13) Cl.** **11-01**
- (52) **U.S. Cl.**
USPC **D11/3**
- (58) **Field of Classification Search**
USPC D11/1-3; D10/30-32, 38, 70; D14/344;
D24/167
CPC A44C 5/00; A44C 5/0007; A44C 5/0015;
A44C 5/0053; A44C 5/12; A44C 5/16;
A44C 5/2052; G06F 1/163
See application file for complete search history.

(56) **References Cited**

U.S. PATENT DOCUMENTS

D834,439 S	*	11/2018	Monachon	D11/3
D862,463 S	*	10/2019	Mao	D14/344
D864,012 S	*	10/2019	Chen	D11/3
D874,311 S	*	2/2020	Connor	D11/3
D926,613 S	*	8/2021	Chao	D11/3
D933,651 S	*	10/2021	Cheng	D14/344

OTHER PUBLICATIONS

RemodX, Kickstarter.com, earliest date available Jun. 6, 2018, online. Site visited on Nov. 5, 2021. URL:<“https://www.kickstarter.com/projects/remod/remodx-4in1-dual-face-watch-strap-for-applewatch-a/posts”> (Year: 2018).*

Remod X Reversible Dual Face Watch Strap, published on May 4, 2018, online. Site visited on Nov. 5, 2021. URL:<“https://thegadgetflow.com/portfolio/dual-face-watch-strap/”> (Year: 2018).*

* cited by examiner

Primary Examiner — Llorelys Martinez

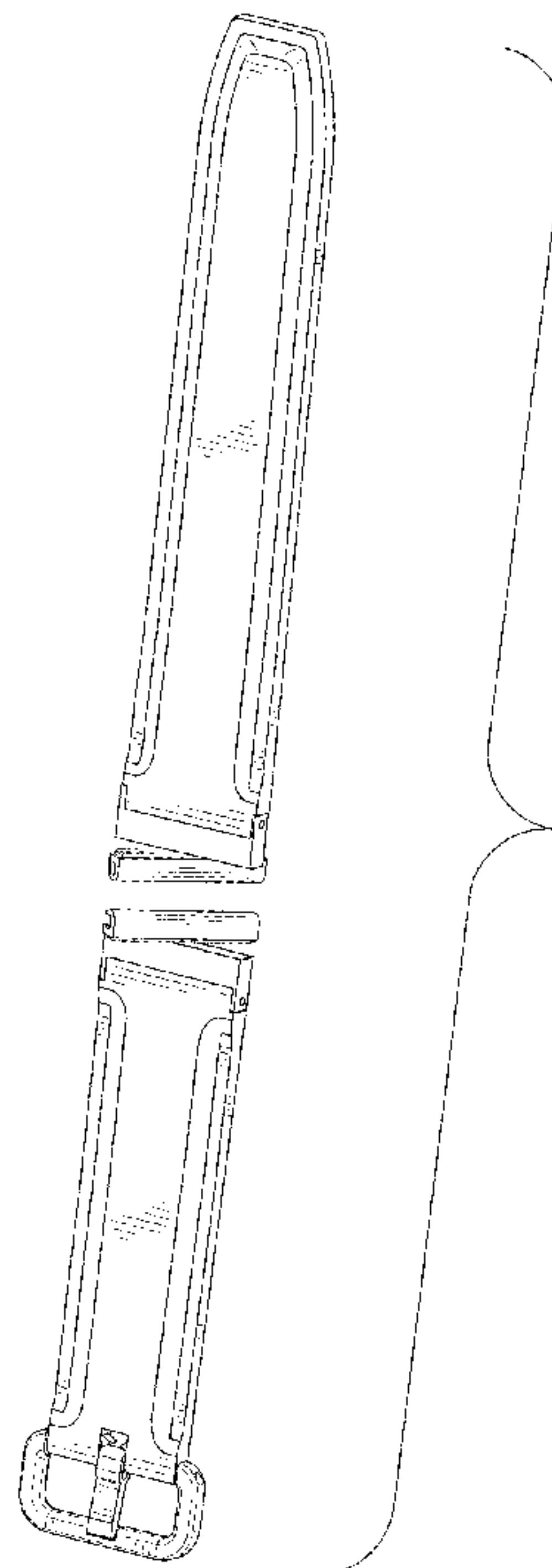
(57) **CLAIM**

The ornamental design for a watchband, as shown and described.

DESCRIPTION

FIG. 1 is a perspective view of the watchband showing my new design;
 FIG. 2 is another perspective view thereof;
 FIG. 3 is a front elevational view thereof;
 FIG. 4 is a rear elevational view thereof;
 FIG. 5 is a left side elevational view thereof;
 FIG. 6 is a right side elevational view thereof;
 FIG. 7 is a perspective view of the watchband where the watchband is in a first configuration of use;
 FIG. 8 is a perspective view of the watchband where the watchband is in a second configuration of use; and,
 FIG. 9 is an enlarged view thereof, taken from portion 9 in FIG. 1.
 The dot-dash broken lines of FIGS. 1 and 9 are included to show a partially enlarged view only and form no part of the claimed design. The broken lines in FIG. 8 represent portions of the watchband that form no part of the claimed design.

1 Claim, 9 Drawing Sheets



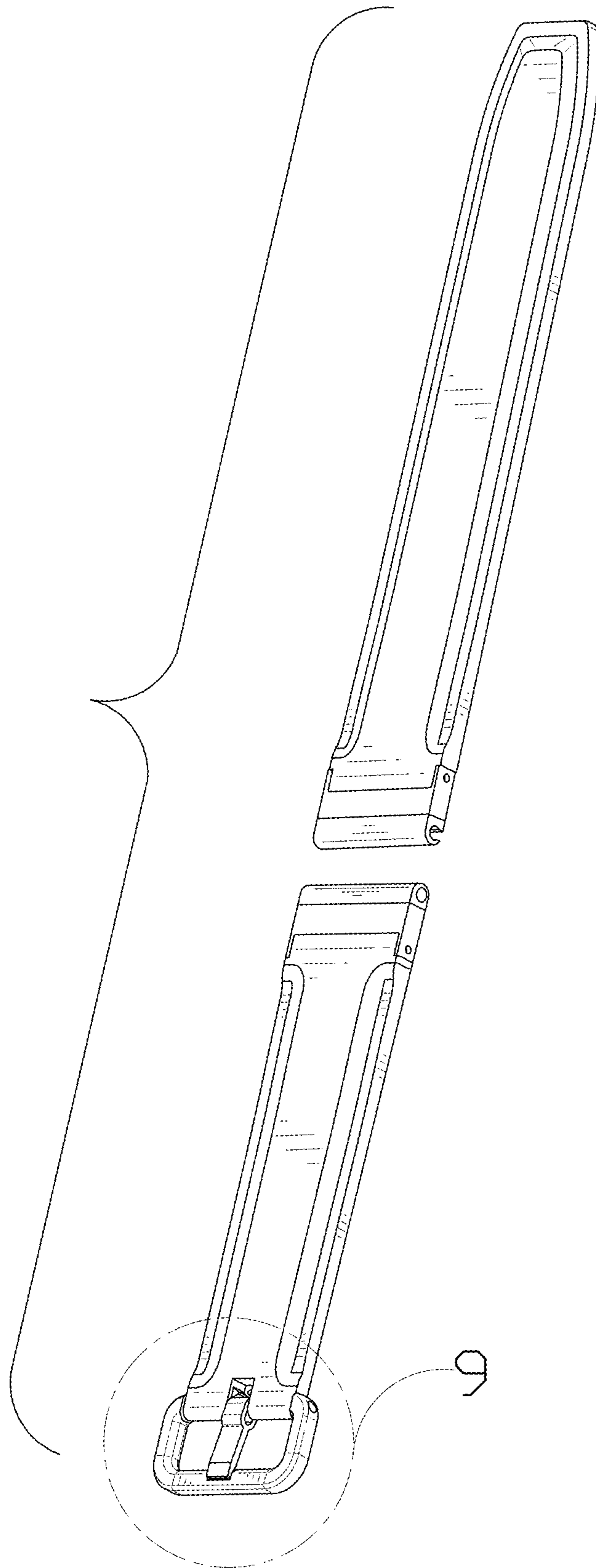


FIG. 1

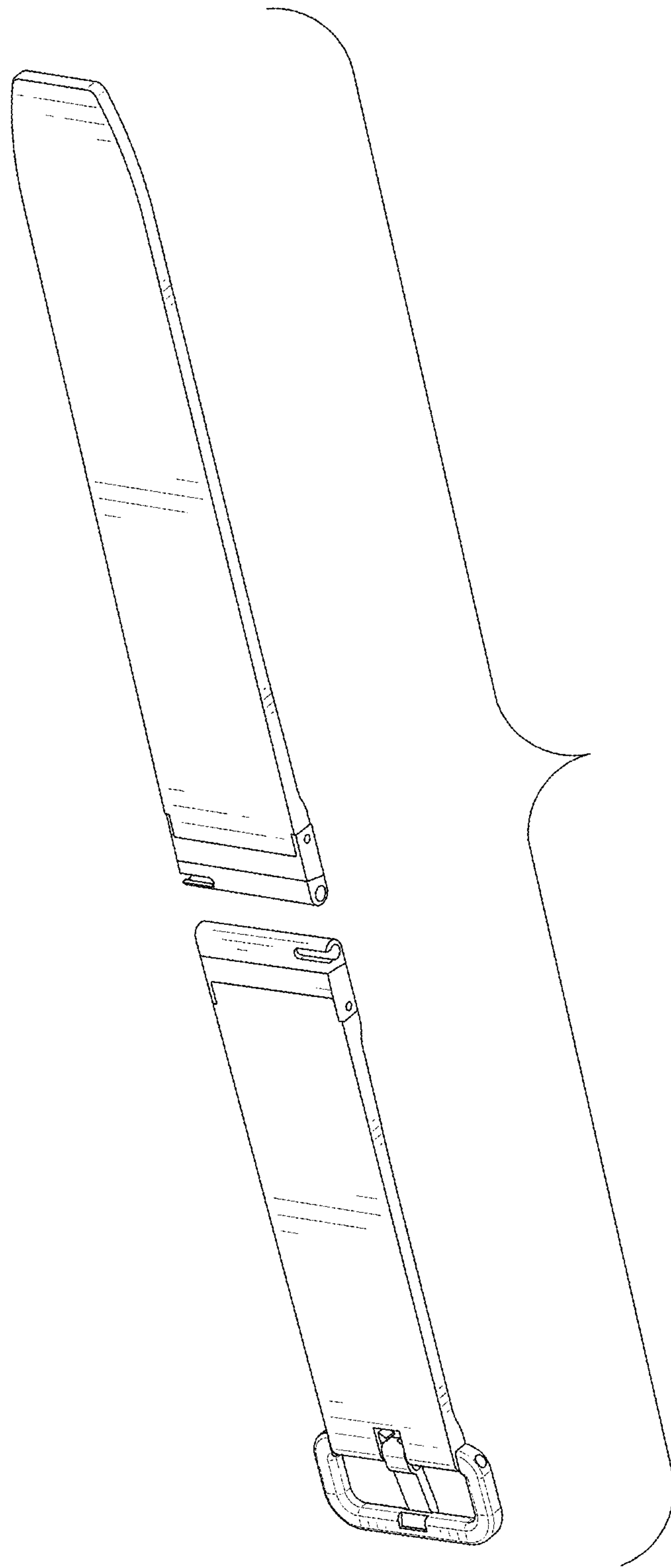


FIG. 2

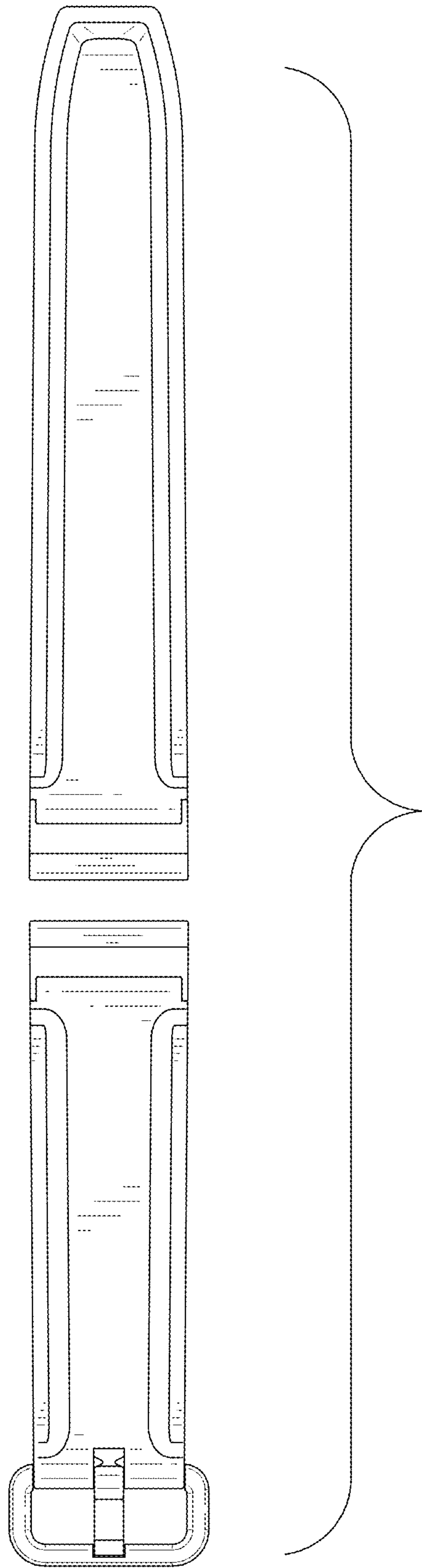


FIG. 3

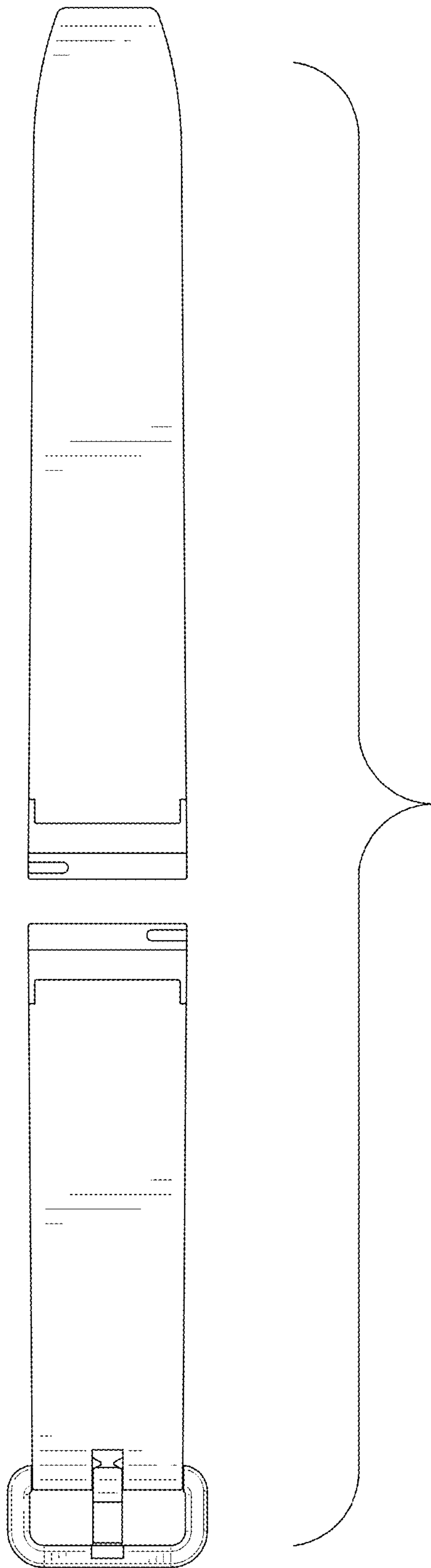


FIG. 4

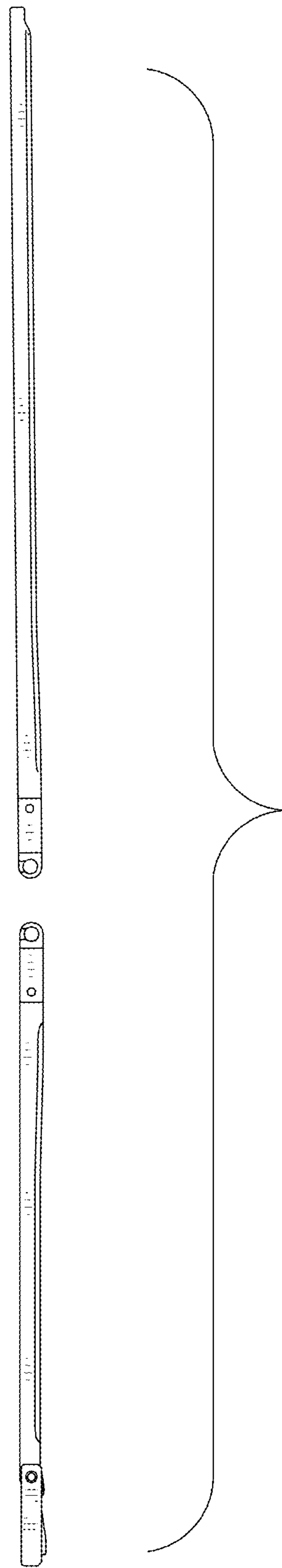


FIG. 5

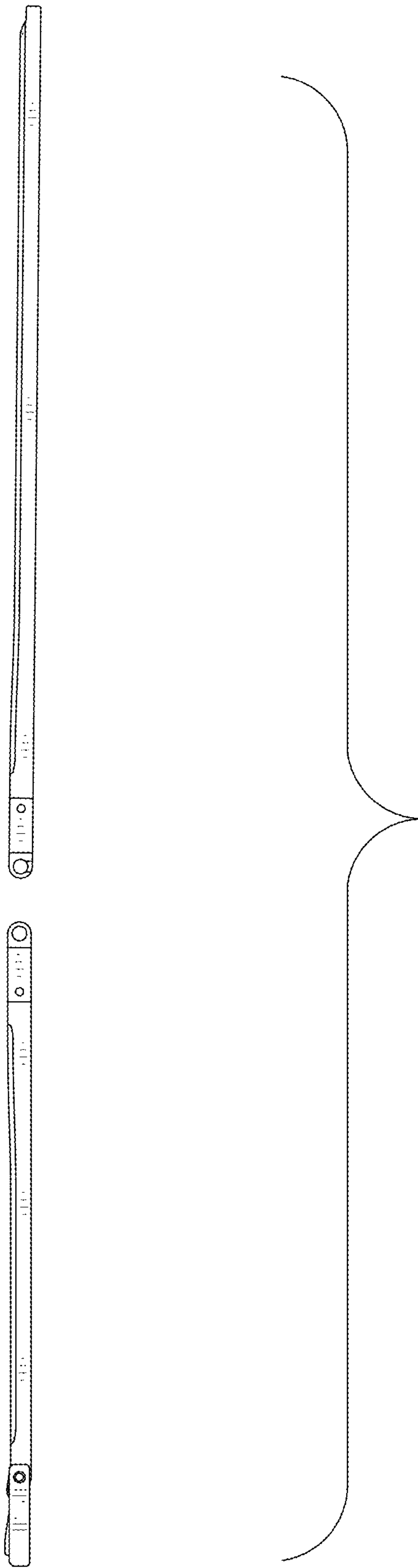


FIG. 6

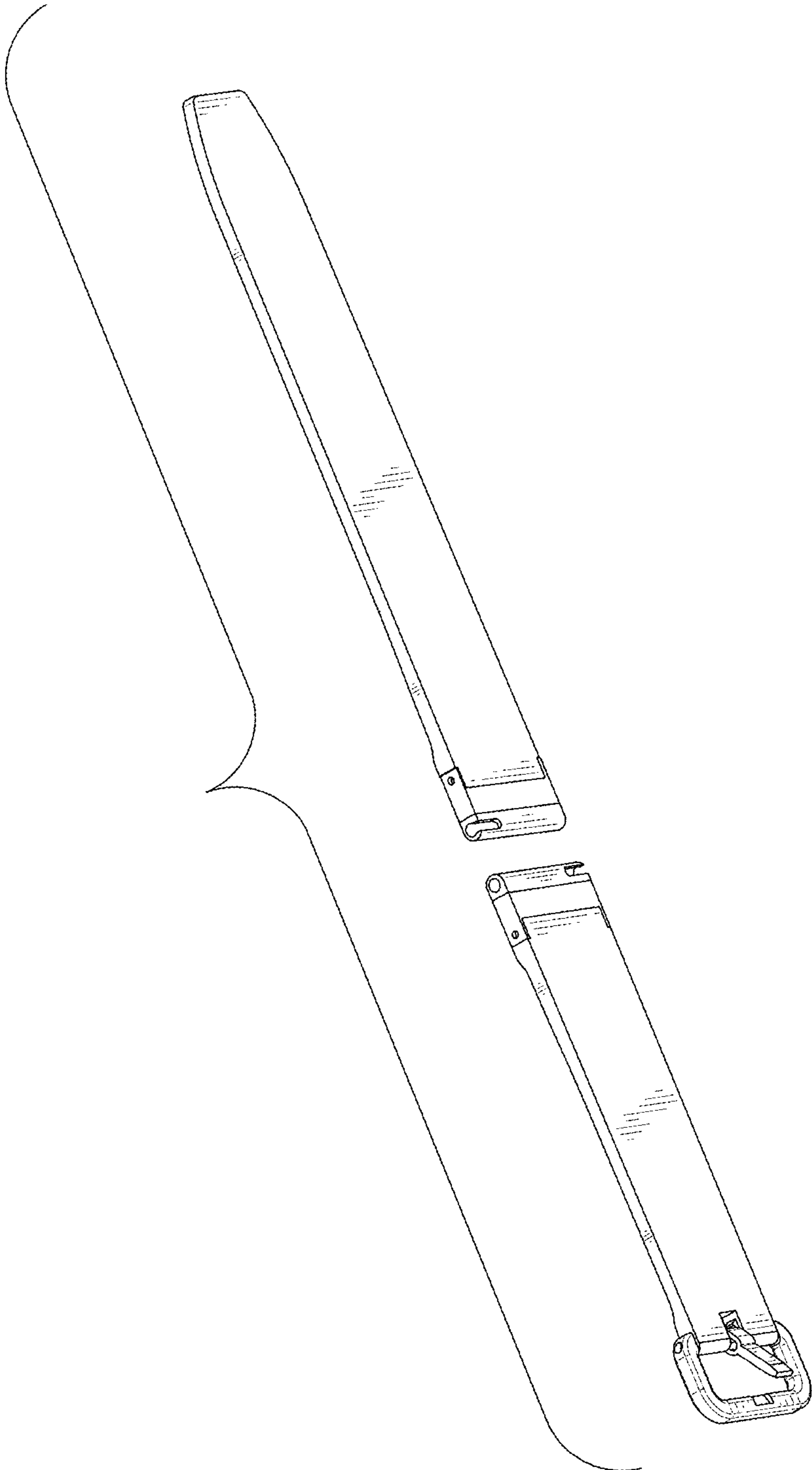


FIG. 7

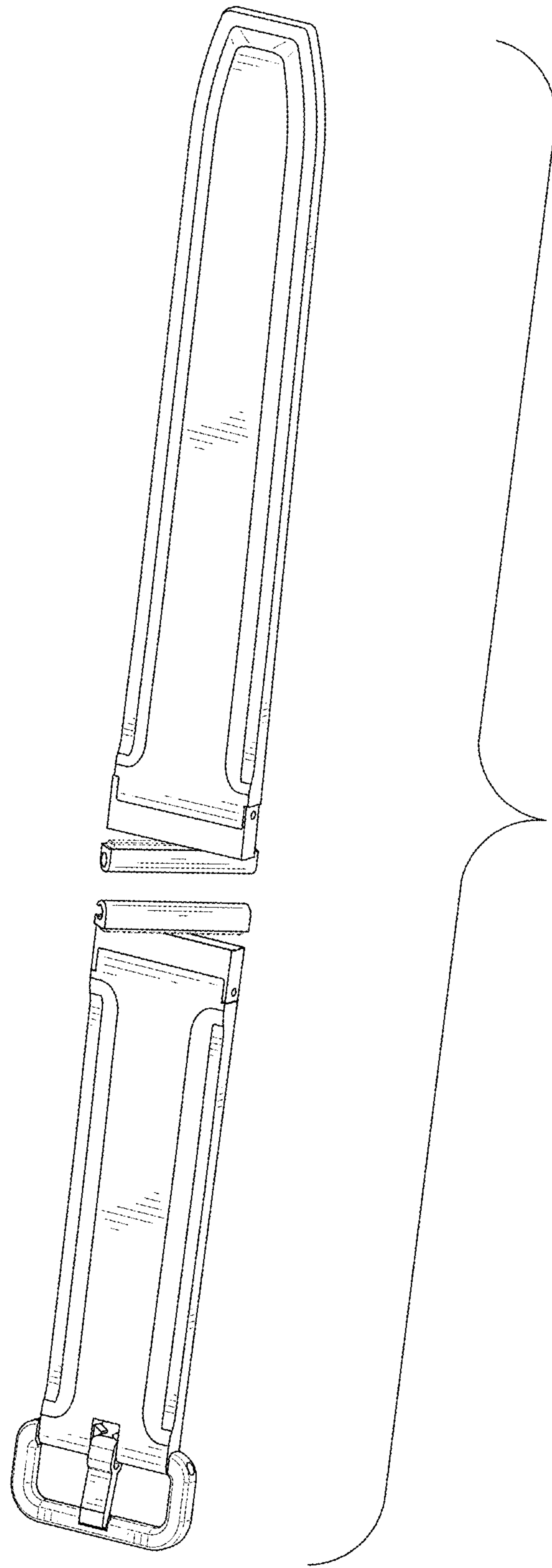


FIG. 8

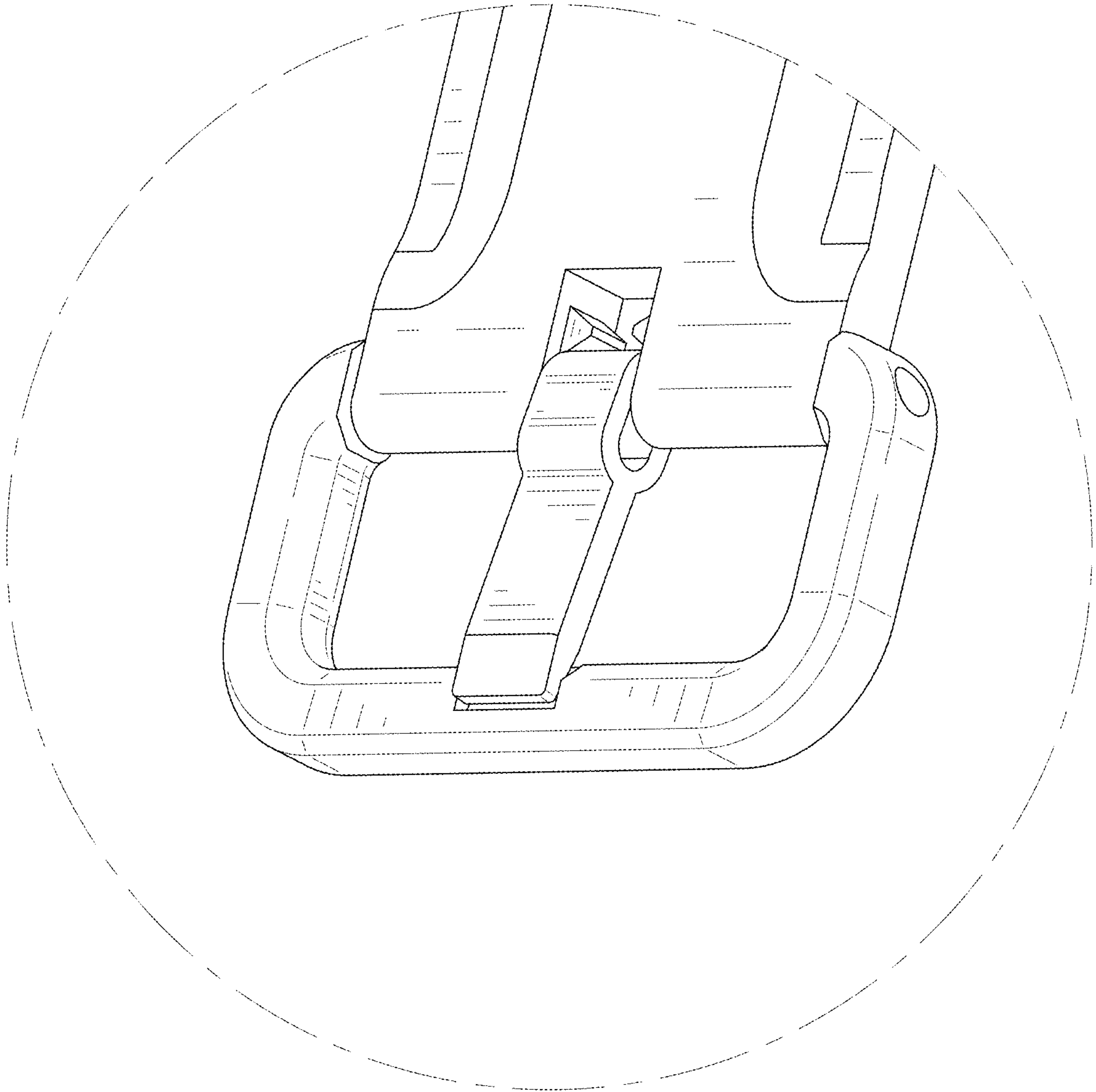


FIG. 9