



US00D945300S

(12) **United States Design Patent**
Pokorny et al.

(10) **Patent No.:** **US D945,300 S**

(45) **Date of Patent:** **** Mar. 8, 2022**

(54) **COVER FOR VEHICLE TO VEHICLE
SYNCHRONIZATION DEVICE**

(71) Applicant: **WHELEN ENGINEERING
COMPANY, INC.**, Chester, CT (US)

(72) Inventors: **William Jon Pokorny**, East Haddam,
CT (US); **Jon Lyons**, Haddam, CT
(US)

(73) Assignee: **WHELEN ENGINEERING
COMPANY, INC.**, Chester, CT (US)

(**) Term: **15 Years**

(21) Appl. No.: **29/725,211**

(22) Filed: **Feb. 24, 2020**

(51) **LOC (13) Cl.** **10-05**

(52) **U.S. Cl.**
USPC **D10/121**

(58) **Field of Classification Search**
USPC D10/121, 120, 114.1, 109.2, 104.1;
D13/162, 162.1; D14/257–258, 159,
D14/188–198, 168–171, 157, 154,
D14/498–511, 496
CPC H04B 1/08
See application file for complete search history.

(56) **References Cited**

U.S. PATENT DOCUMENTS

D394,653 S *	5/1998	Kato	D14/159
D394,656 S *	5/1998	Kato	D14/159
D491,551 S *	6/2004	Matsui	D14/159
D550,172 S *	9/2007	Aguilar	D13/184
D699,701 S *	2/2014	Kim	D14/203.7
D708,087 S *	7/2014	Yu	D10/120
D766,864 S *	9/2016	Tani	D14/159
D778,756 S *	2/2017	Boisse	D10/120
D808,357 S *	1/2018	Kim	D14/203.7

D828,324 S *	9/2018	Jeong	D14/203.7
D869,411 S *	12/2019	Wang	D14/125
D883,948 S *	5/2020	Kim	D14/203.7
D884,667 S *	5/2020	Kim	D14/203.7
D912,008 S *	3/2021	Zeng	D14/197

FOREIGN PATENT DOCUMENTS

CN 305609116 * 2/2020

* cited by examiner

Primary Examiner — George D. Kirschbaum

Assistant Examiner — Lillian Windham

(74) *Attorney, Agent, or Firm* — Hogan Lovells US LLP

(57) **CLAIM**

We claim the ornamental design for a cover for vehicle to vehicle synchronization device, as shown and described.

DESCRIPTION

FIG. 1 is a perspective view of the cover for a vehicle to vehicle synchronization device according to a first embodiment;

FIG. 2 is a top plan view thereof;

FIG. 3 is a front elevation view thereof;

FIG. 4 is a rear elevation view thereof;

FIG. 5 is a left side elevation view thereof;

FIG. 6 is a right side elevation view thereof; and

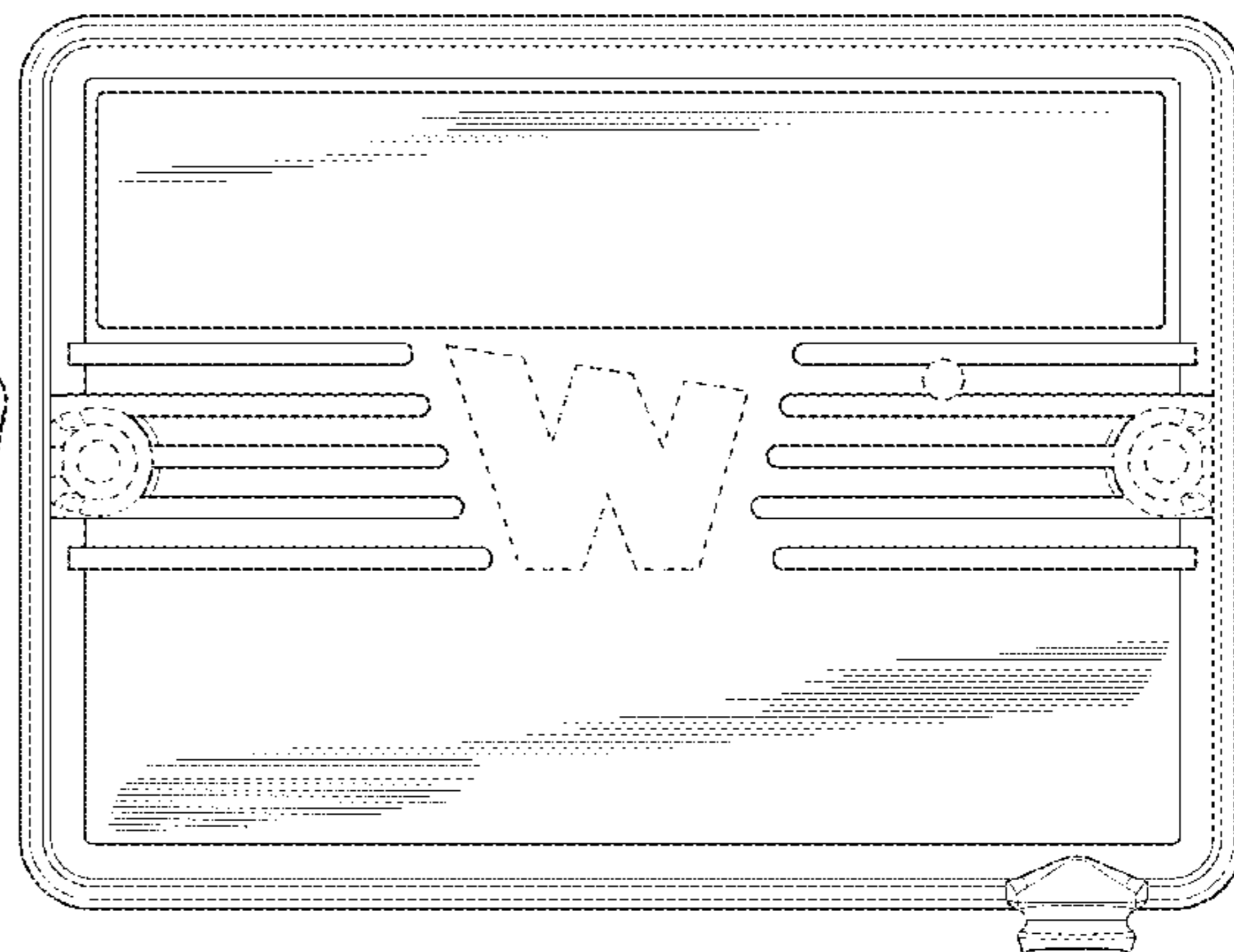
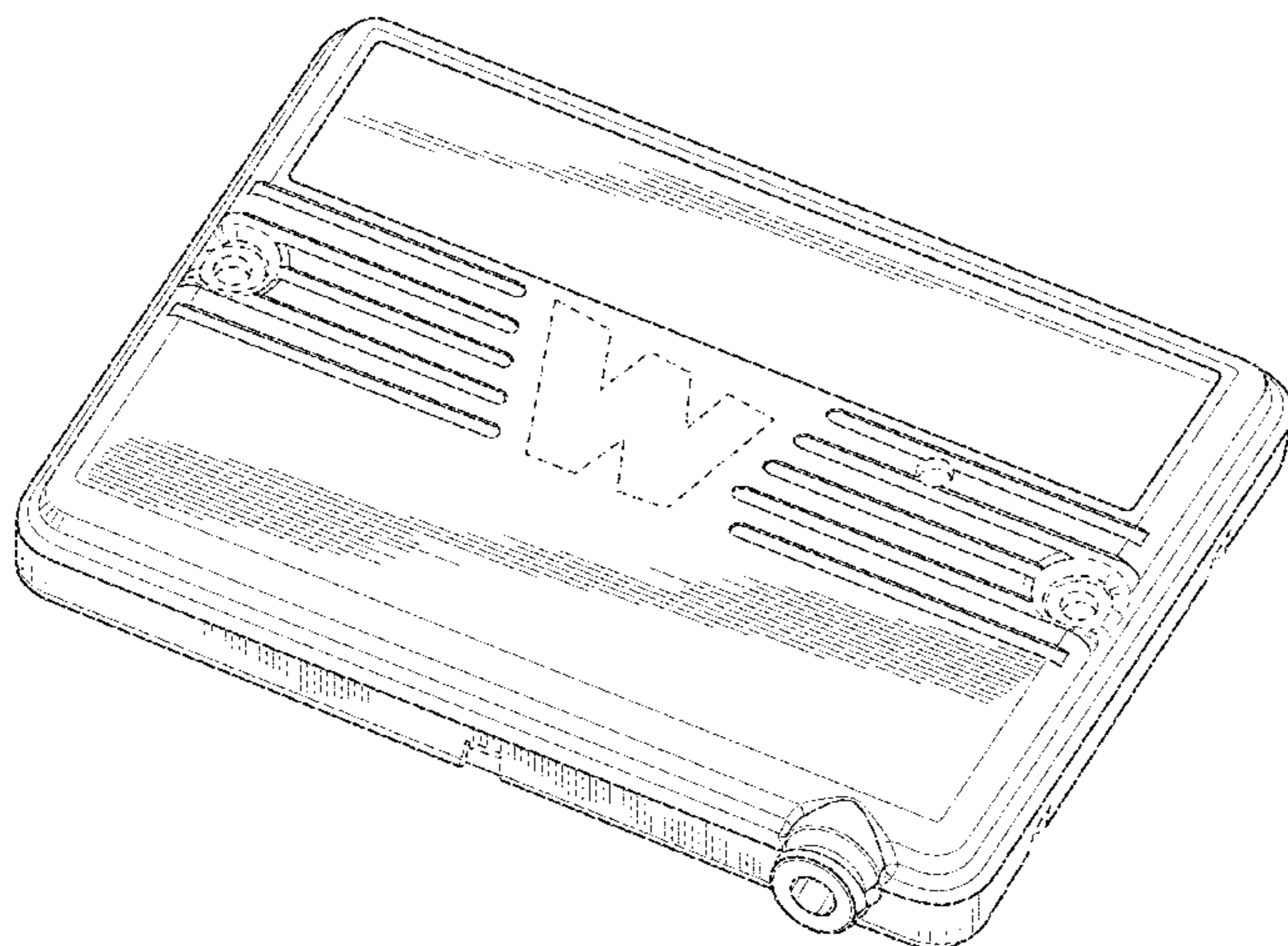
FIG. 7 is a bottom view thereof; and

FIG. 8 is a perspective view of the cover for a vehicle safety communication device according to a second embodiment, the difference being the omission of the letter ‘W’; and,

FIG. 9 is a top plan view of the second embodiment of FIG. 8, it being understood that all other surfaces of the second embodiment are the same as those of the first embodiment.

The broken line showing is included for the purpose of illustrating portions of the cover for vehicle to vehicle synchronization device and forms no part of the claimed design.

1 Claim, 9 Drawing Sheets



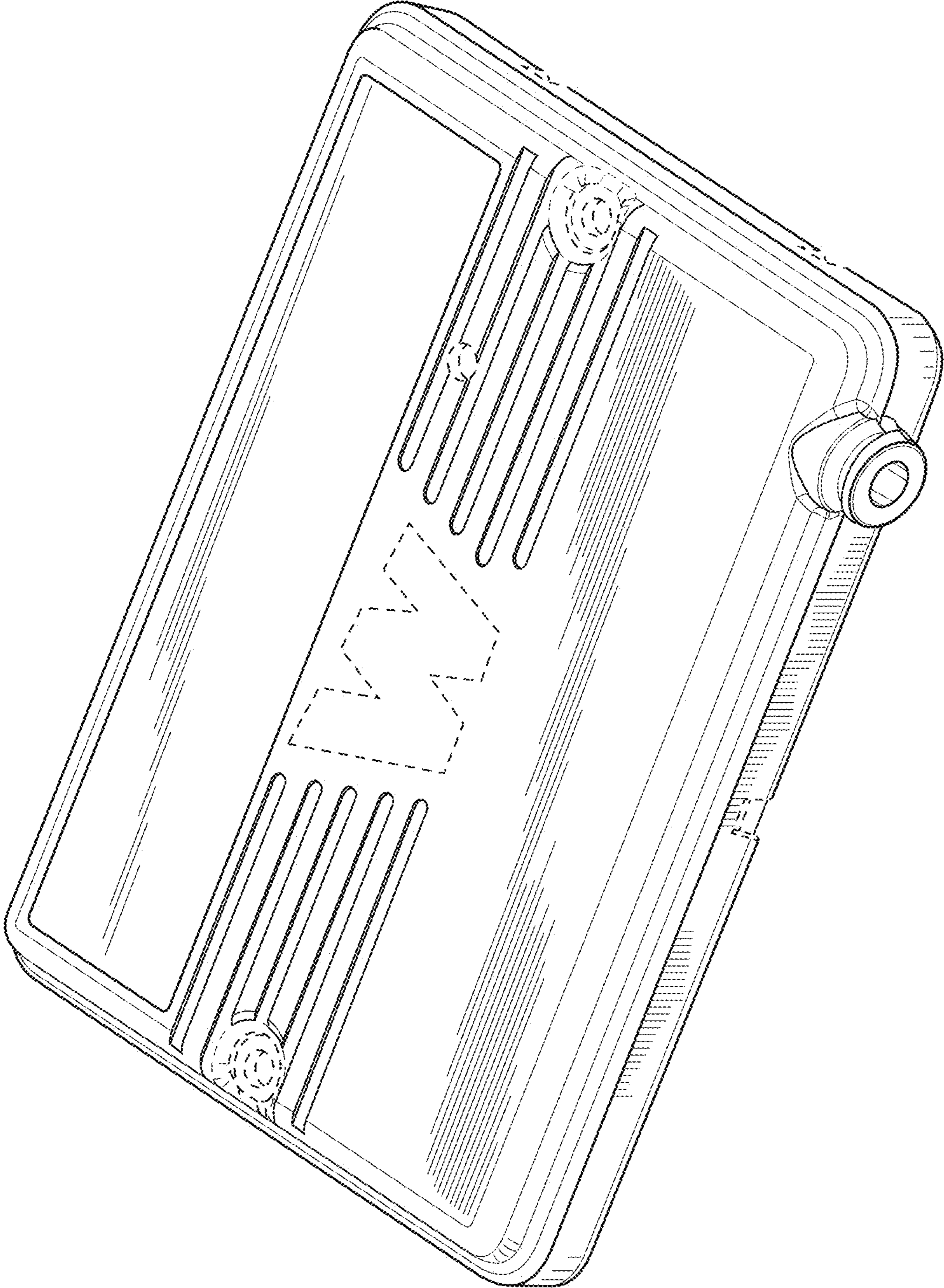


FIG. 1

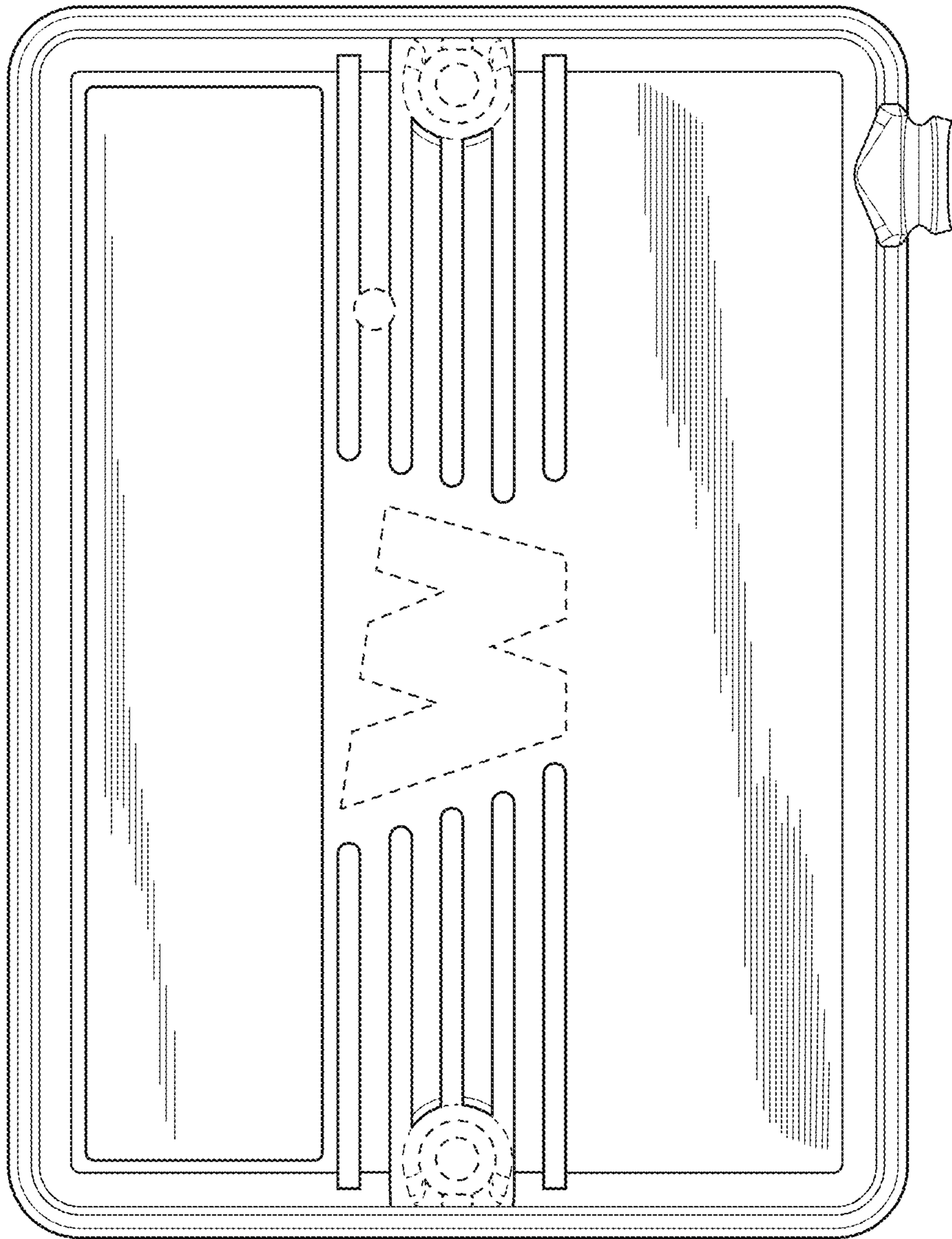


FIG. 2

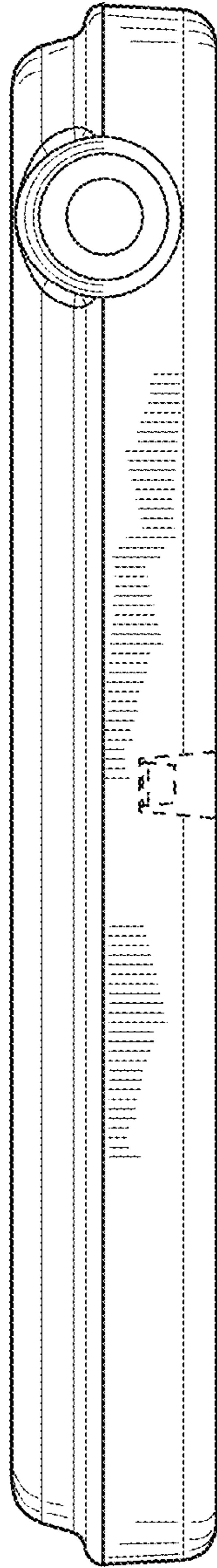


FIG. 3

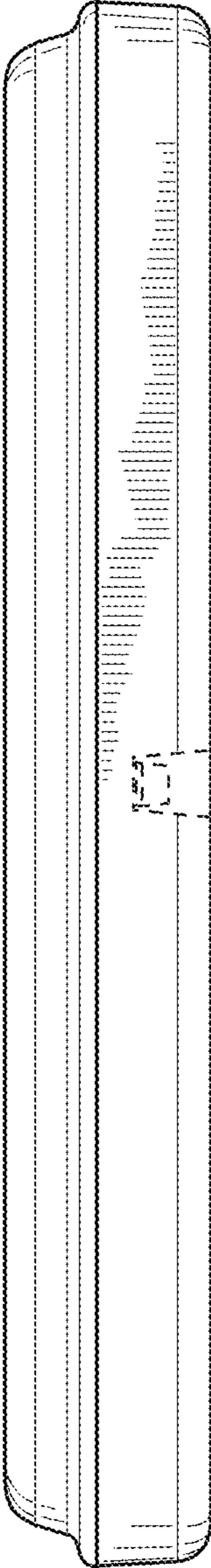


FIG. 4

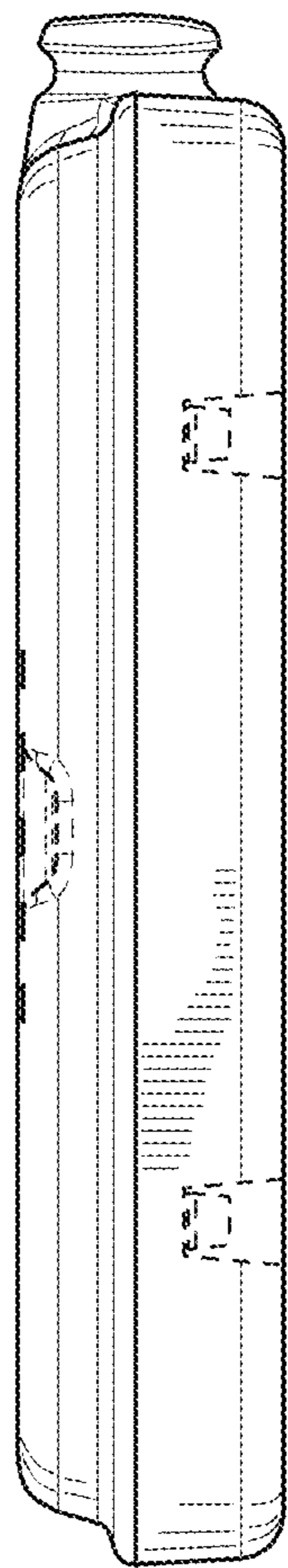


FIG. 5

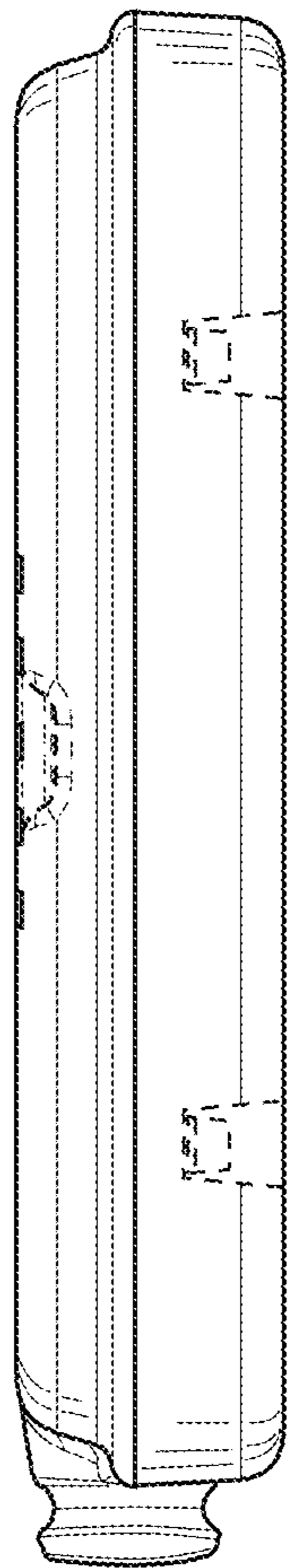


FIG. 6

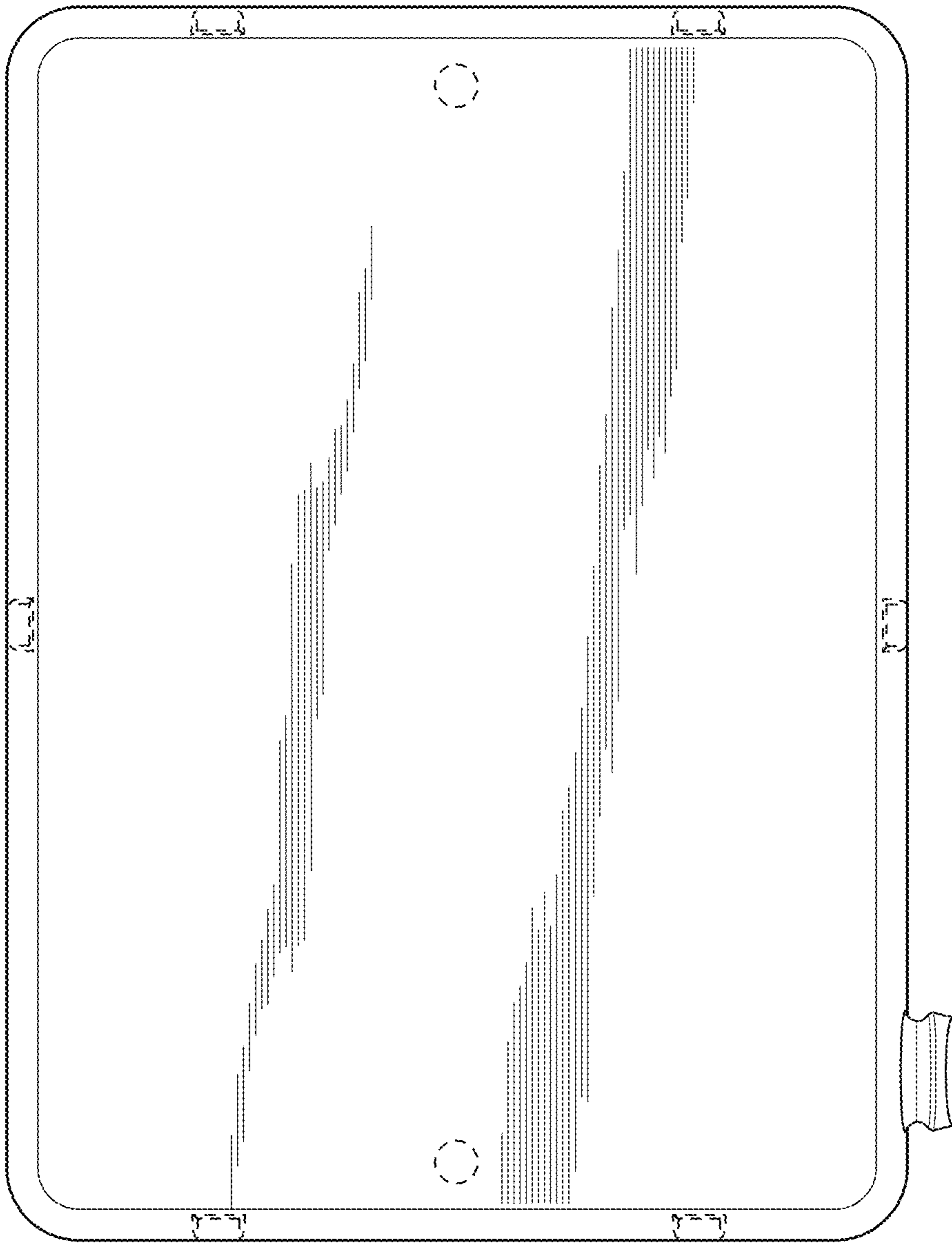


FIG. 7

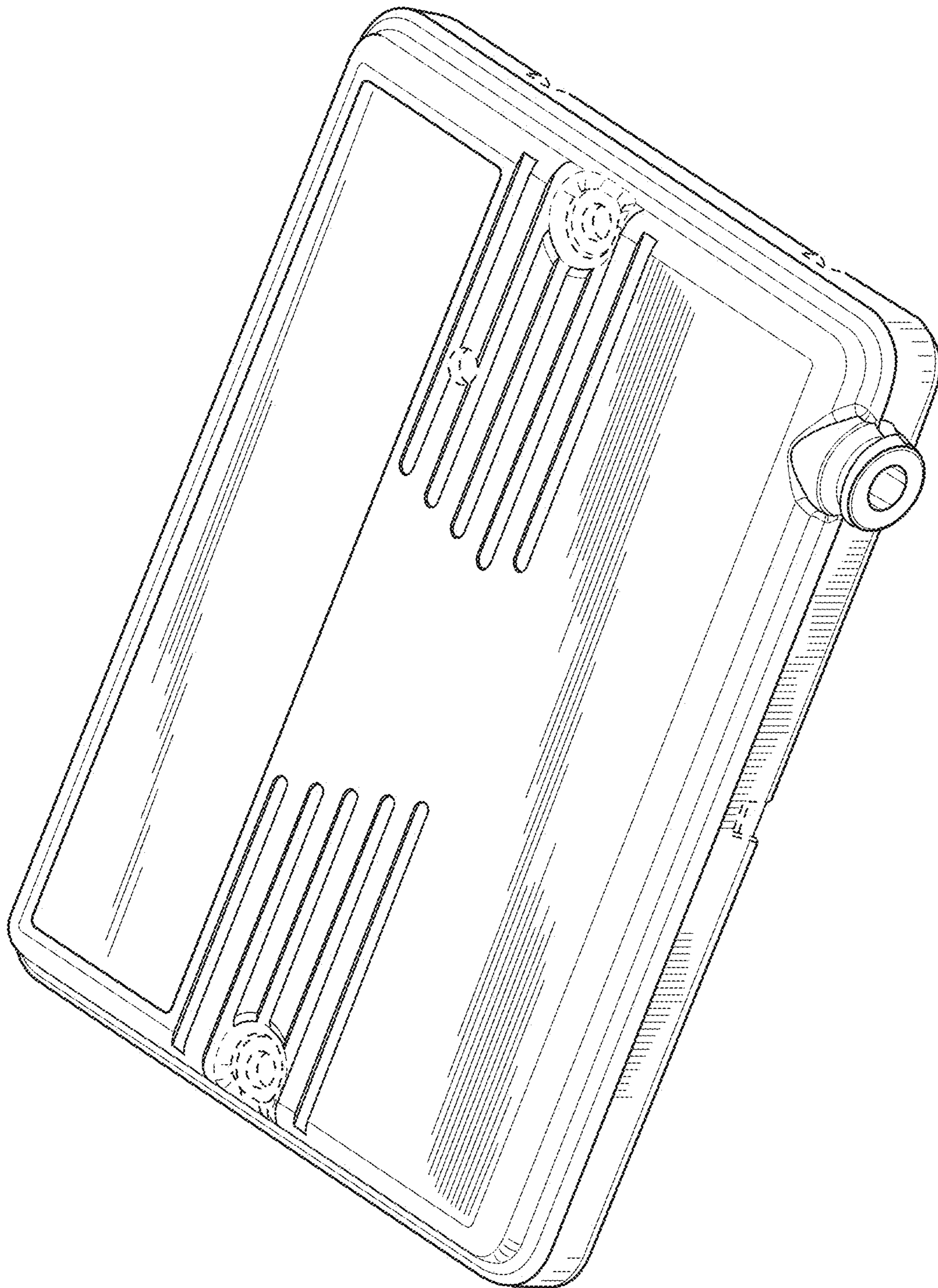


FIG. 8

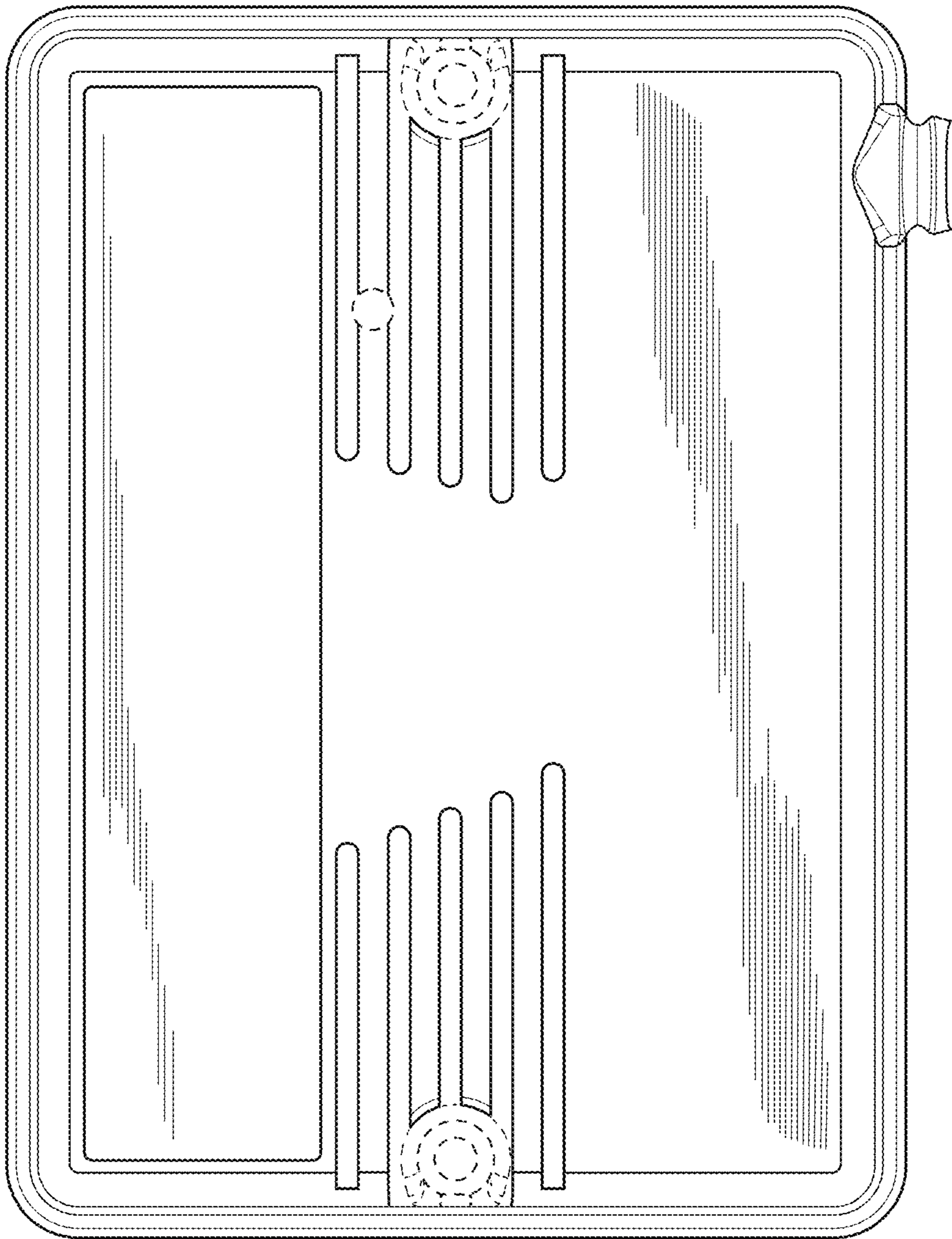


FIG. 9