



US00D945298S

(12) **United States Design Patent**  
**Scalisi et al.**

(10) **Patent No.:** **US D945,298 S**  
(45) **Date of Patent:** **\*\* Mar. 8, 2022**

- (54) **DOORBELL**
- (71) Applicant: **SkyBell Technologies, Inc.**, Irvine, CA (US)
- (72) Inventors: **Joseph Frank Scalisi**, Yorba Linda, CA (US); **Joon Sung**, Riverside, CA (US)
- (73) Assignee: **SKYBELL TECHNOLOGIES IP, LLC**, Irvine, CA (US)
- (\*\*) Term: **15 Years**
- (21) Appl. No.: **29/729,323**
- (22) Filed: **Mar. 25, 2020**
- (51) **LOC (13) Cl.** ..... **10-05**
- (52) **U.S. Cl.**  
USPC ..... **D10/118.2**
- (58) **Field of Classification Search**  
USPC ..... D10/118.2, 106.6, 106.7, 106.8, 116.1, D10/118; D13/171, 174; D14/159, 358; D16/202, 203, 208, 209  
CPC ... G08B 3/00; G08B 3/10; G08B 7/00; G08B 7/06; G08B 13/196; G06F 17/30; G09F 27/00  
See application file for complete search history.

- D381,638 S 7/1997 Kruse
- D392,907 S 3/1998 Buckley
- D392,576 S 5/1998 Pun
- D405,021 S 2/1999 Stelle
- D418,770 S 1/2000 Ragan
- D500,751 S 1/2005 Yukikado
- (Continued)

**OTHER PUBLICATIONS**

Feel the Nature; Modern Push Button Light Switch; Downloaded on Jun. 13, 2018 from <URL: <http://feelthenature.info/modern-push-button-light-switch/>>; Prior art publication at least as of Apr. 1, 2018.

(Continued)

*Primary Examiner* — George D. Kirschbaum  
*Assistant Examiner* — Lillian Windham  
(74) *Attorney, Agent, or Firm* — Wesley E. Schwie, Esq.; Gallium Law

(57) **CLAIM**

The ornamental design for a doorbell, as shown and described.

**DESCRIPTION**

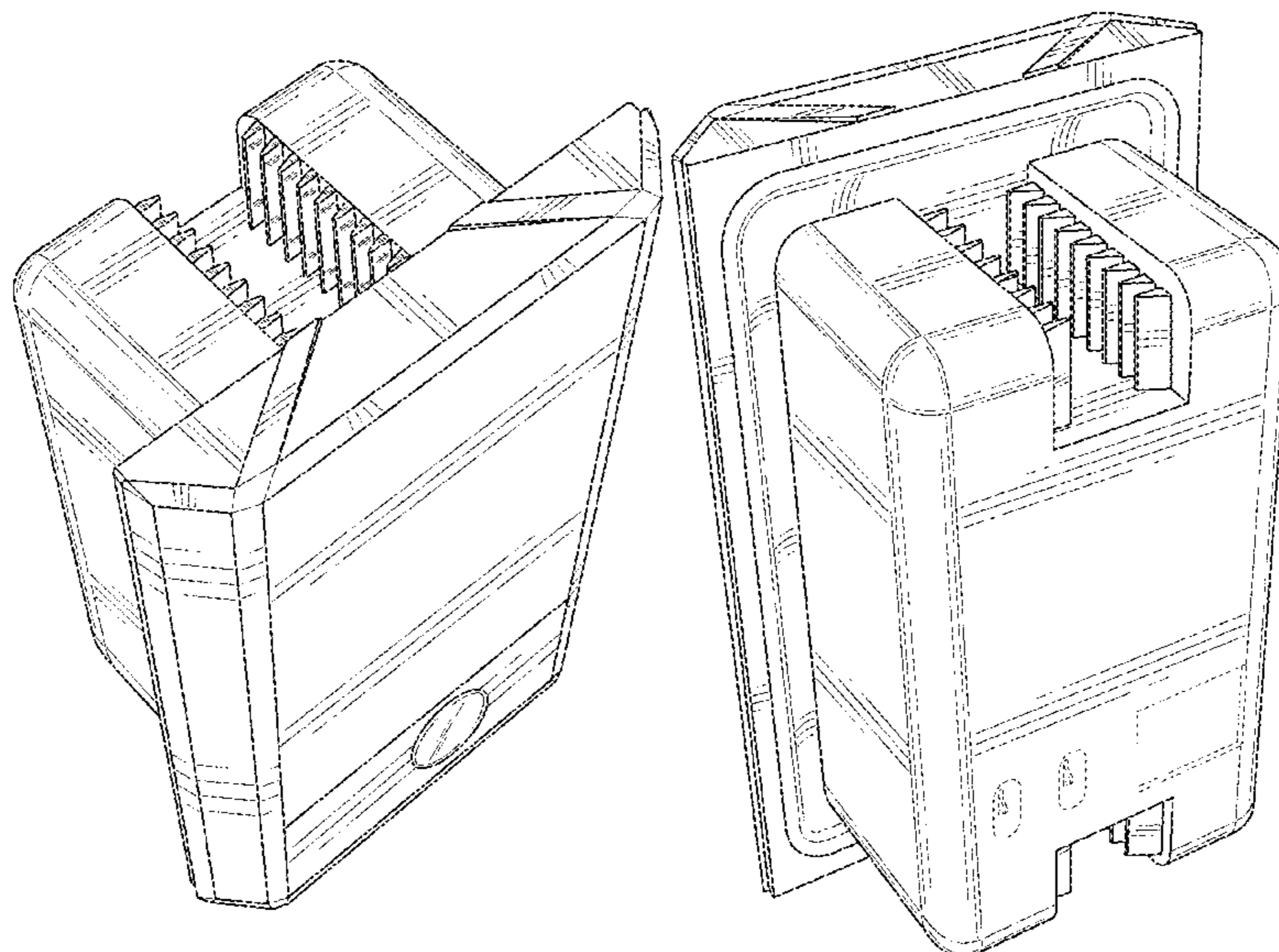
FIG. 1 is a front, first side, and bottom perspective view of a doorbell embodying the new design;  
FIG. 2 is a back, second side, and top perspective view thereof;  
FIG. 3 is a front view thereof;  
FIG. 4 is a back view thereof;  
FIG. 5 is a first side view thereof;  
FIG. 6 is a second side view thereof;  
FIG. 7 is a top view thereof; and,  
FIG. 8 is a bottom view thereof.  
Any uniform repeating broken lines being presented depict portions of a doorbell in which the claimed design is embodied and form no part of the claimed design.

**1 Claim, 8 Drawing Sheets**

(56) **References Cited**

**U.S. PATENT DOCUMENTS**

- 1,230,643 A 6/1917 Anderson
- D179,803 S 3/1957 Gillette
- 4,172,967 A 10/1979 Porter
- D283,130 S 3/1986 Boenning
- D305,019 S 12/1989 Pena
- D306,565 S \* 3/1990 Pawlik ..... D10/118
- D313,593 S \* 1/1991 Morooka ..... D14/159
- D318,632 S 7/1991 Polacek
- 5,148,468 A 9/1992 Marrick
- D335,283 S 5/1993 Justiniano
- D344,036 S 2/1994 Yuen
- D366,262 S 1/1996 Inaba



(56)

References Cited

U.S. PATENT DOCUMENTS

7,015,943 B2 3/2006 Chiang  
 D519,100 S 4/2006 Shioya  
 D522,490 S 6/2006 Yukikado  
 D525,963 S 8/2006 Yukikado  
 7,113,578 B2 9/2006 Unger  
 D531,160 S 10/2006 Yukikado  
 D562,306 S 2/2008 Jeong  
 D574,742 S 8/2008 Spencer  
 D575,316 S 8/2008 Liu  
 D588,069 S 3/2009 Cummings  
 D588,574 S 3/2009 Takahata  
 D592,611 S 5/2009 Altonen  
 D595,240 S 6/2009 Busbridge  
 D595,260 S 6/2009 Takahata  
 D605,542 S 12/2009 Ho  
 D621,795 S 8/2010 Leung  
 D623,605 S 9/2010 Flowers  
 7,826,729 B2 11/2010 Cullen  
 D633,930 S 3/2011 Dinger  
 D635,102 S 3/2011 Tsui  
 D636,286 S 4/2011 Khor  
 D645,001 S 9/2011 Margolin  
 D658,591 S 5/2012 Margolin  
 D660,819 S 5/2012 Chen  
 D707,147 S 6/2014 Crippa  
 D710,727 S 8/2014 Siminoff  
 D710,728 S 8/2014 Siminoff  
 8,834,044 B2 9/2014 Uehara  
 D728,509 S 5/2015 Hinkel  
 D728,655 S 5/2015 Yang  
 D736,717 S 8/2015 Duffy  
 9,113,051 B1 8/2015 Scalisi  
 D747,386 S 1/2016 Li  
 9,230,424 B1 1/2016 Scalisi  
 D754,231 S 4/2016 Murray  
 D764,958 S 8/2016 Scalisi  
 D765,530 S 9/2016 Scalisi  
 D766,864 S 9/2016 Tani  
 D766,865 S 9/2016 Tani  
 D776,068 S 1/2017 Maffetone  
 D778,195 S 2/2017 Li  
 9,584,775 B2 2/2017 Siminoff  
 D787,359 S 5/2017 Scalisi  
 D788,061 S 5/2017 Siminoff  
 D788,834 S 6/2017 Bhattacharya  
 D789,820 S 6/2017 Siminoff  
 D793,268 S 8/2017 Ye  
 D795,940 S 8/2017 Huang  
 D798,177 S 9/2017 Siminoff  
 9,769,435 B2 9/2017 Scalisi  
 D800,592 S 10/2017 Jean  
 D801,843 S 11/2017 Siminoff  
 D802,463 S 11/2017 Siminoff  
 D802,644 S 11/2017 Lee  
 D806,773 S 1/2018 Wieser  
 D806,774 S 1/2018 Ahman  
 D813,700 S 3/2018 Scalisi  
 D813,701 S 3/2018 Scalisi  
 D816,528 S 5/2018 Wen  
 D817,207 S 5/2018 Scalisi

D817,208 S 5/2018 Ravat  
 D818,514 S 5/2018 Ahman  
 D820,136 S 6/2018 Scalisi  
 10,041,639 B1 8/2018 Thompson  
 D838,201 S \* 1/2019 Laird ..... D10/104.1  
 D840,856 S 2/2019 Scalisi  
 D840,857 S 2/2019 Scalisi  
 D918,079 S \* 5/2021 Scalisi ..... D10/118.2  
 2004/0124978 A1 7/2004 Chen  
 2008/0036862 A1 2/2008 Lang  
 2013/0045763 A1 2/2013 Ruiz  
 2013/0335568 A1 12/2013 Tang  
 2014/0125754 A1 5/2014 Haywood  
 2014/0301729 A1 10/2014 Okamura  
 2015/0022618 A1 1/2015 Siminoff  
 2015/0049191 A1 2/2015 Scalisi  
 2015/0228167 A1 8/2015 Scalisi  
 2016/0191864 A1 6/2016 Siminoff  
 2016/0284170 A1 9/2016 Kasmir  
 2016/0300476 A1 10/2016 Kasmir  
 2017/0048495 A1 2/2017 Scalisi  
 2017/0084131 A1 3/2017 Harrison  
 2017/0084132 A1 3/2017 Scalisi  
 2017/0280109 A1 9/2017 Scalisi  
 2017/0339262 A1 11/2017 Scalisi  
 2017/0373876 A1 12/2017 Scalisi  
 2017/0373877 A1 12/2017 Scalisi  
 2018/0069722 A1 3/2018 Scalisi

OTHER PUBLICATIONS

Forbes; The Invisible Light Switch; Downloaded on Jun. 13, 2018 from <URL: <https://web.archive.org/web/20130404165907/https://www.forbesandlomag.com/the-invisible-lightswitch.html>>; Prior art publication at least as of Apr. 4, 2013.  
 Amazon; Wireless Doorbell and Wireless Intercom Doorbell; Downloaded on Jun. 13, 2018 from <URL: <https://www.amazon.com/Wireless-Doorbell-Intercom-Operating-Napok/dp/B071FR8J41>>; Prior art publication at least as of Jun. 1, 2017.  
 Etsy; 2 Vintage Intercom Push Button Boxes Desktop Bakelite 1872 Edwards; Downloaded on Jun. 13, 2018 from <URL: <https://www.etsy.com/listing/599141432/2-vintage-intercom-push-button-boxes>>; Prior art publication at least as of May 30, 2018.  
 Home Depot; Nest Wired Hello Door Bell Push Button, White; Downloaded on Jun. 13, 2018 from <URL: <https://www.homedepot.com/p/Nest-Wired-Hello-Door-Bell-Push-Button-White-NC5100US/302997805>>; Prior art publication at least as of May 30, 2018.  
 Toms Guide; Best Video Doorbells of 2018; Downloaded on Jun. 13, 2018 from <URL: <https://www.tomsguide.com/us/best-video-doorbells,review-4468.html>>; Prior art publication at least as of May 18, 2018.  
 Youtube; Wi-Fi Video Door Intercom + Door Bell—CVAEQ-J118; Downloaded on Jun. 13, 2018 from <URL: [https://www.youtube.com/watch?v=CFcaYl\\_K19E](https://www.youtube.com/watch?v=CFcaYl_K19E)>; Prior art publication at least as of Jun. 27, 2015.  
 Blink for Home; Blink XT Add On Camera—Refurbished; Downloaded on Jun. 13, 2018 from <URL: <https://blinkforhome.com/products/blinkxt-refurbished>>; Prior art publication at least as of May 30, 2018.

\* cited by examiner

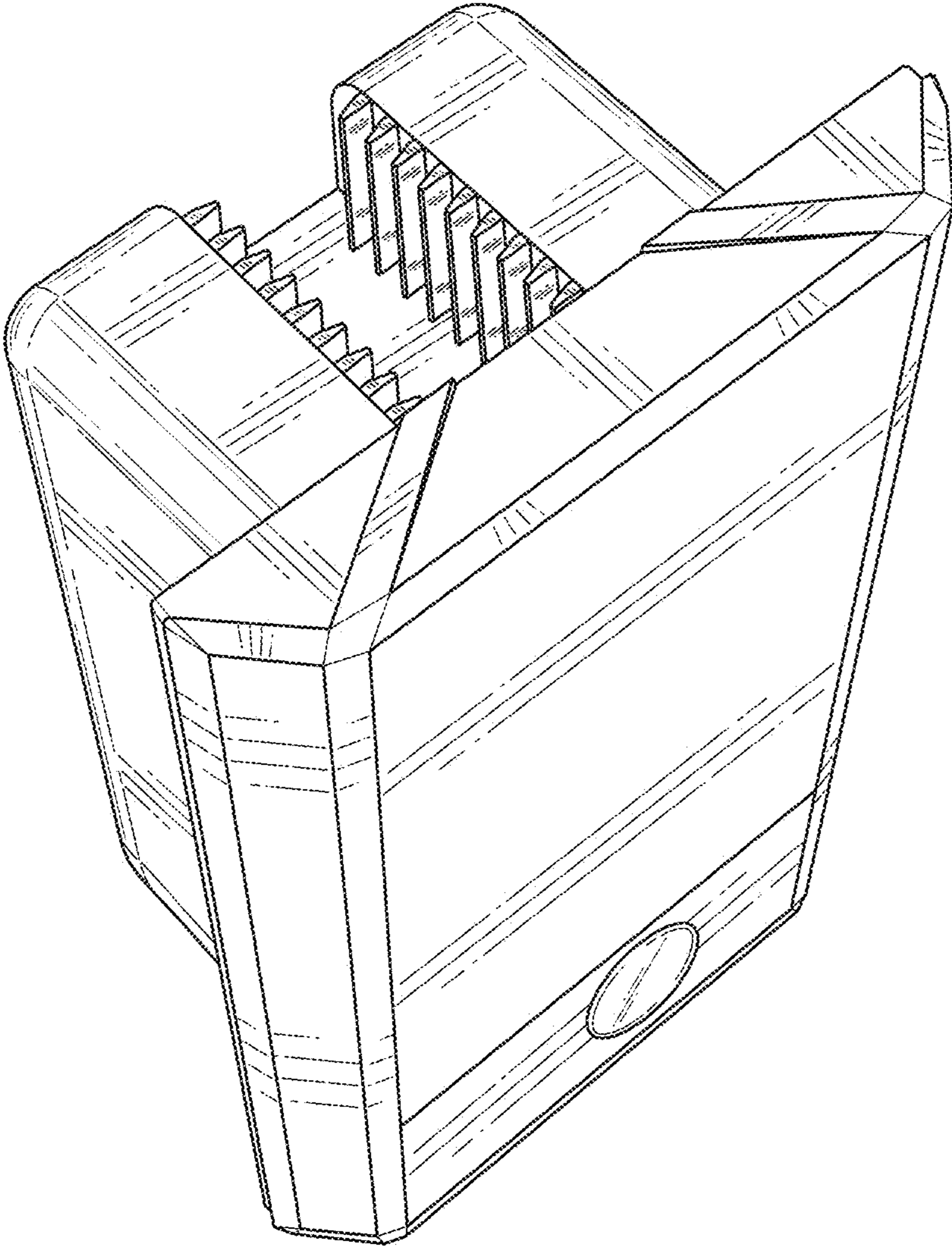


FIG. 1

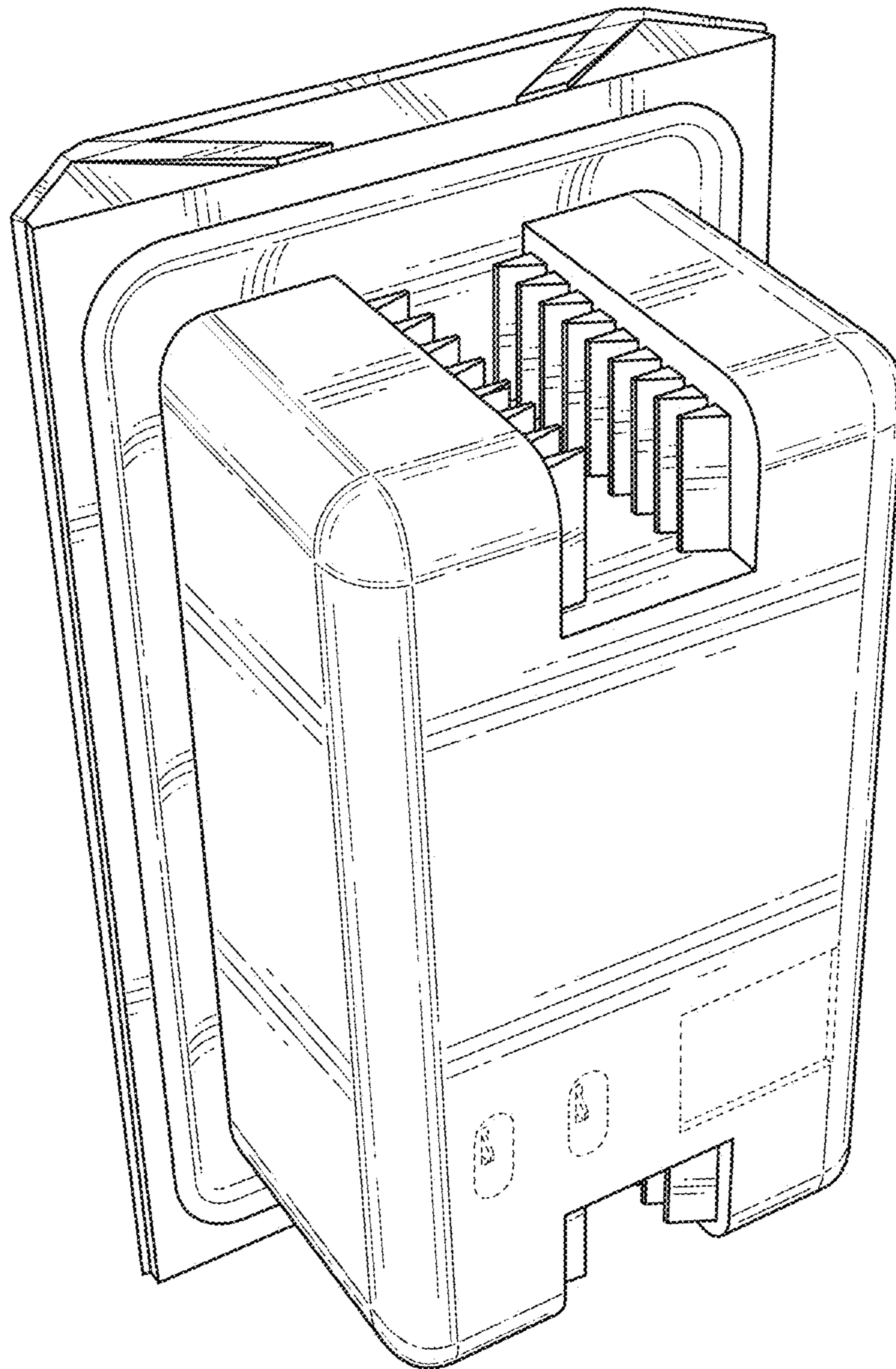


FIG. 2

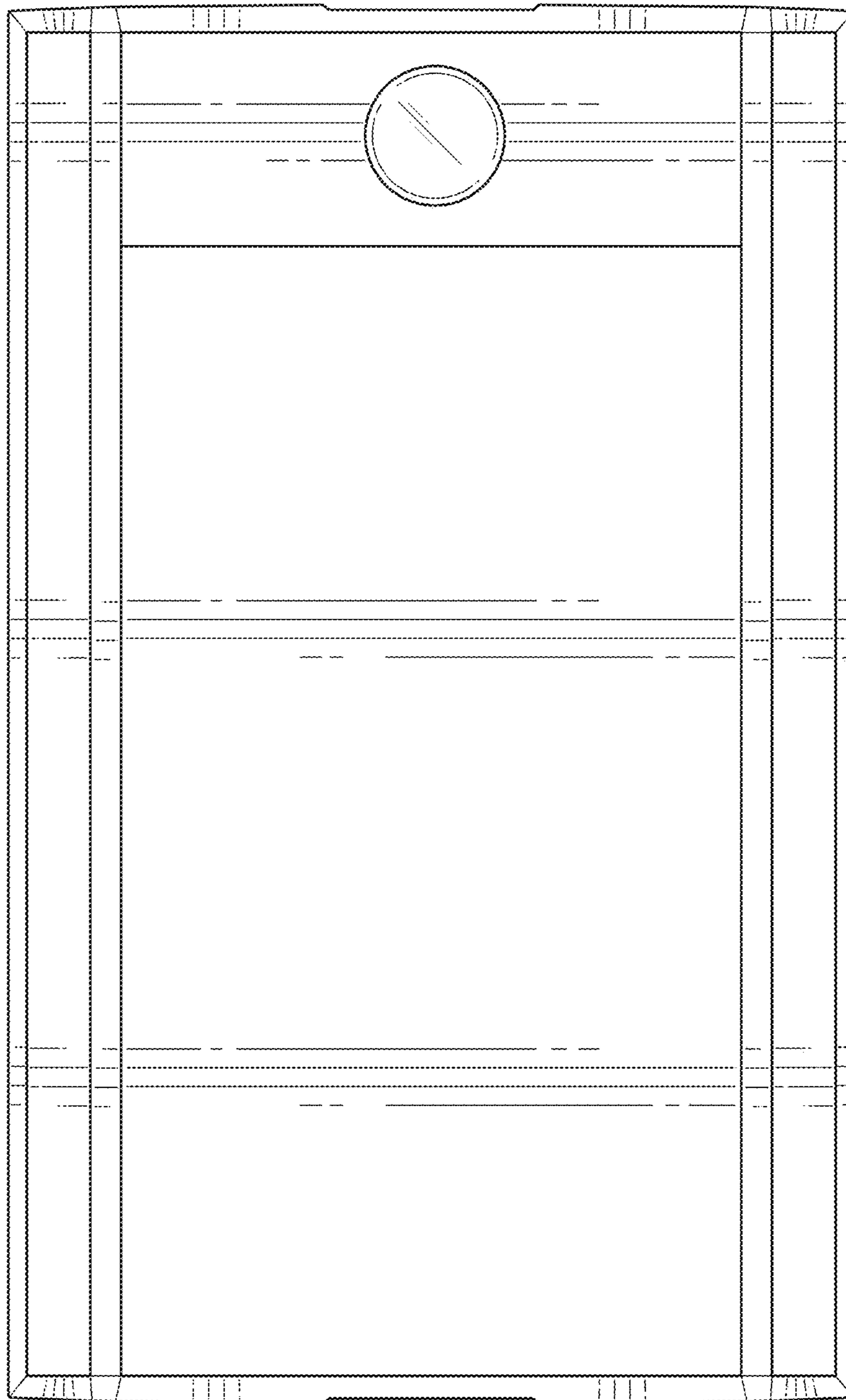


FIG. 3

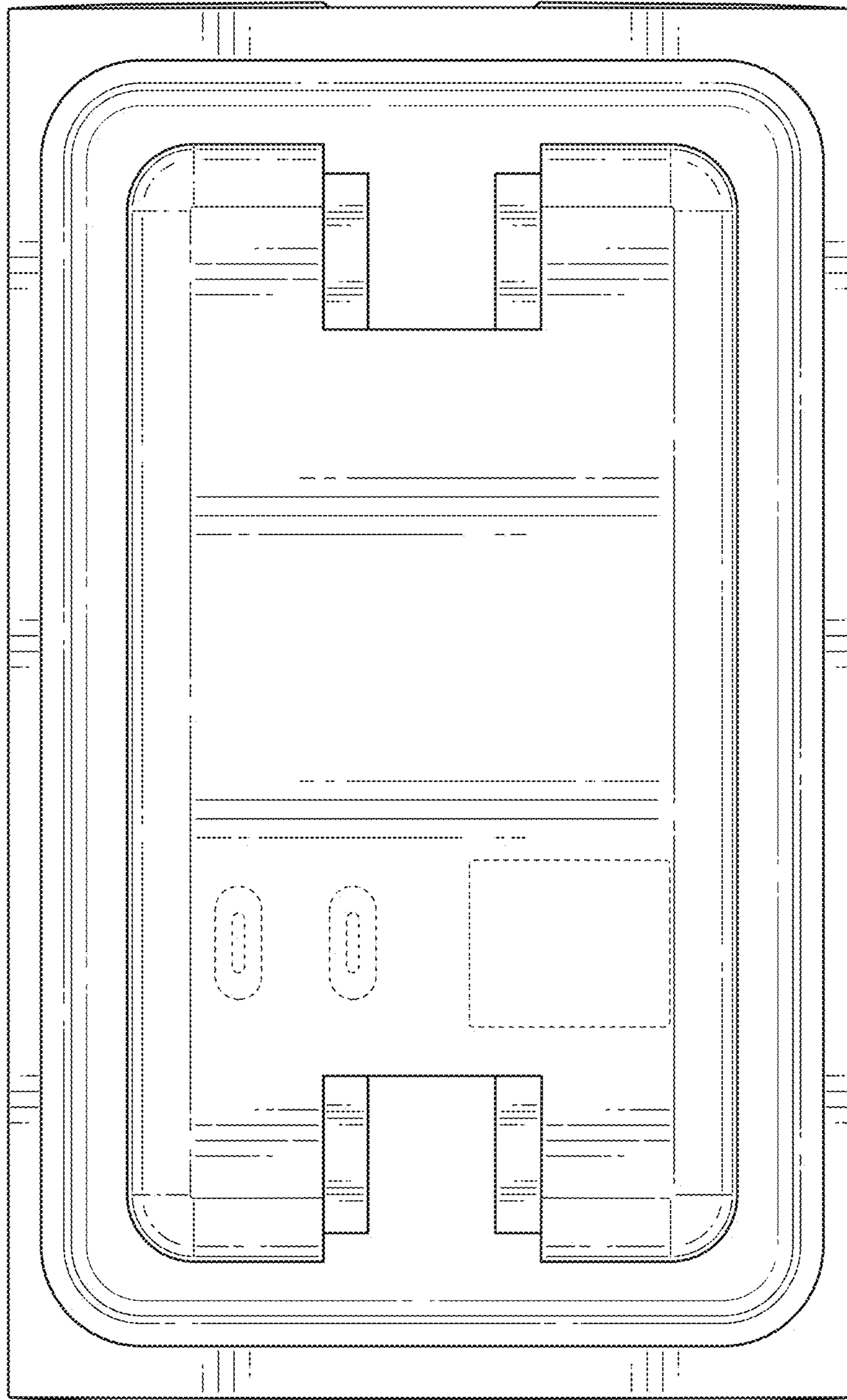


FIG. 4

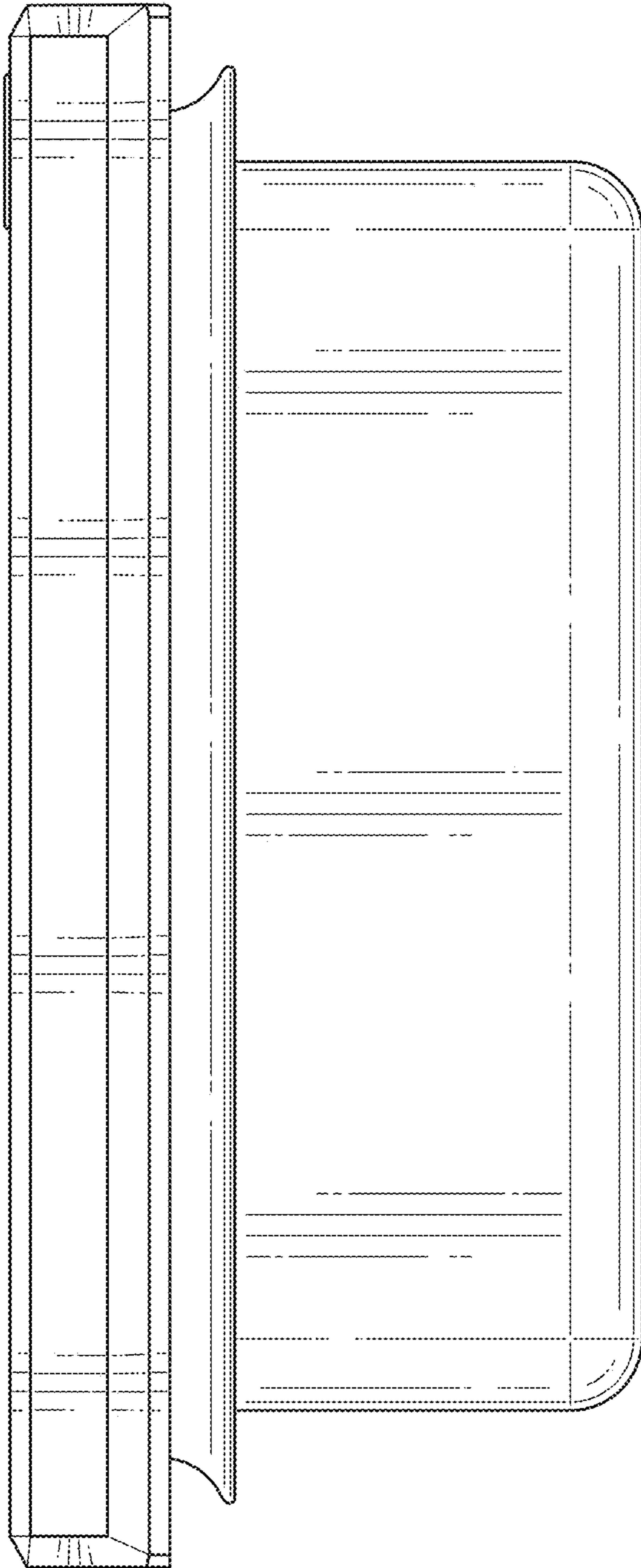


FIG. 5

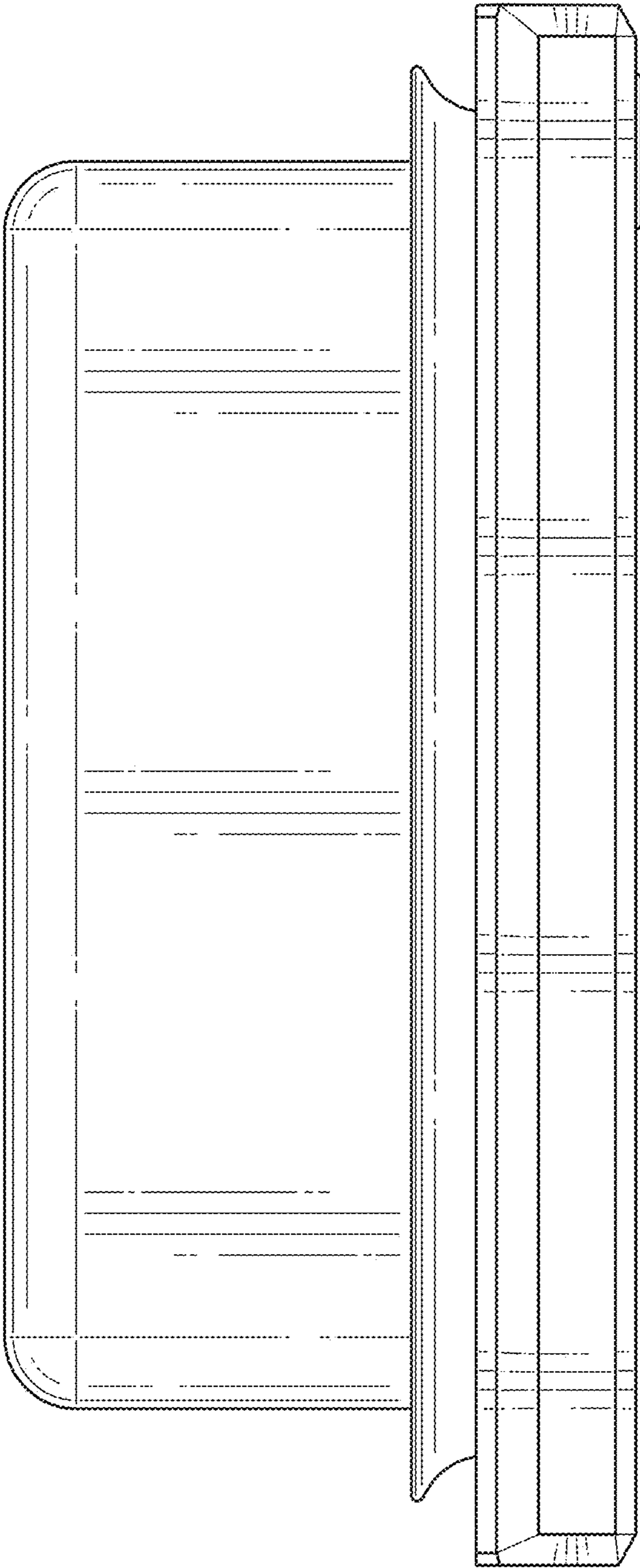


FIG. 6



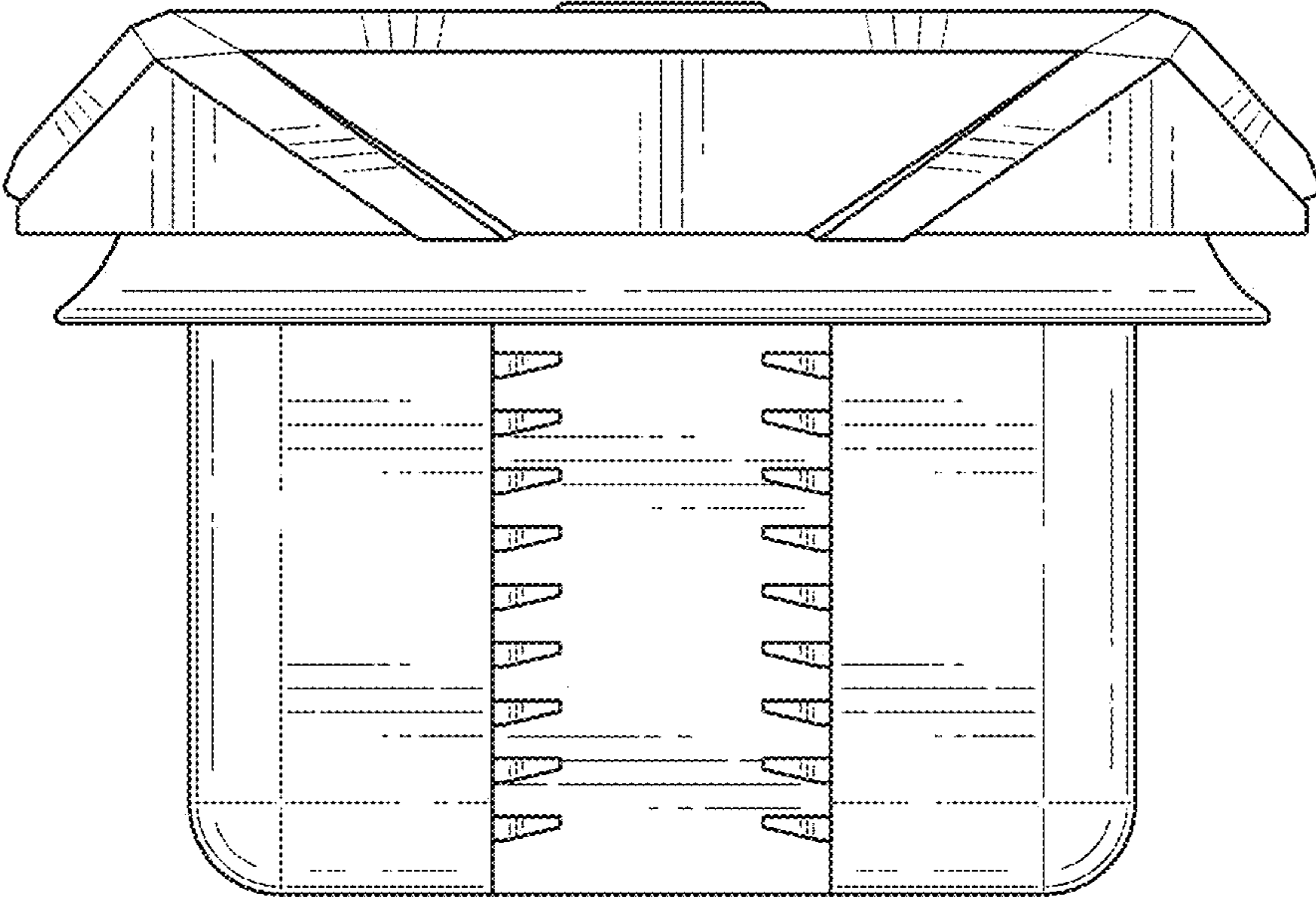


FIG. 7

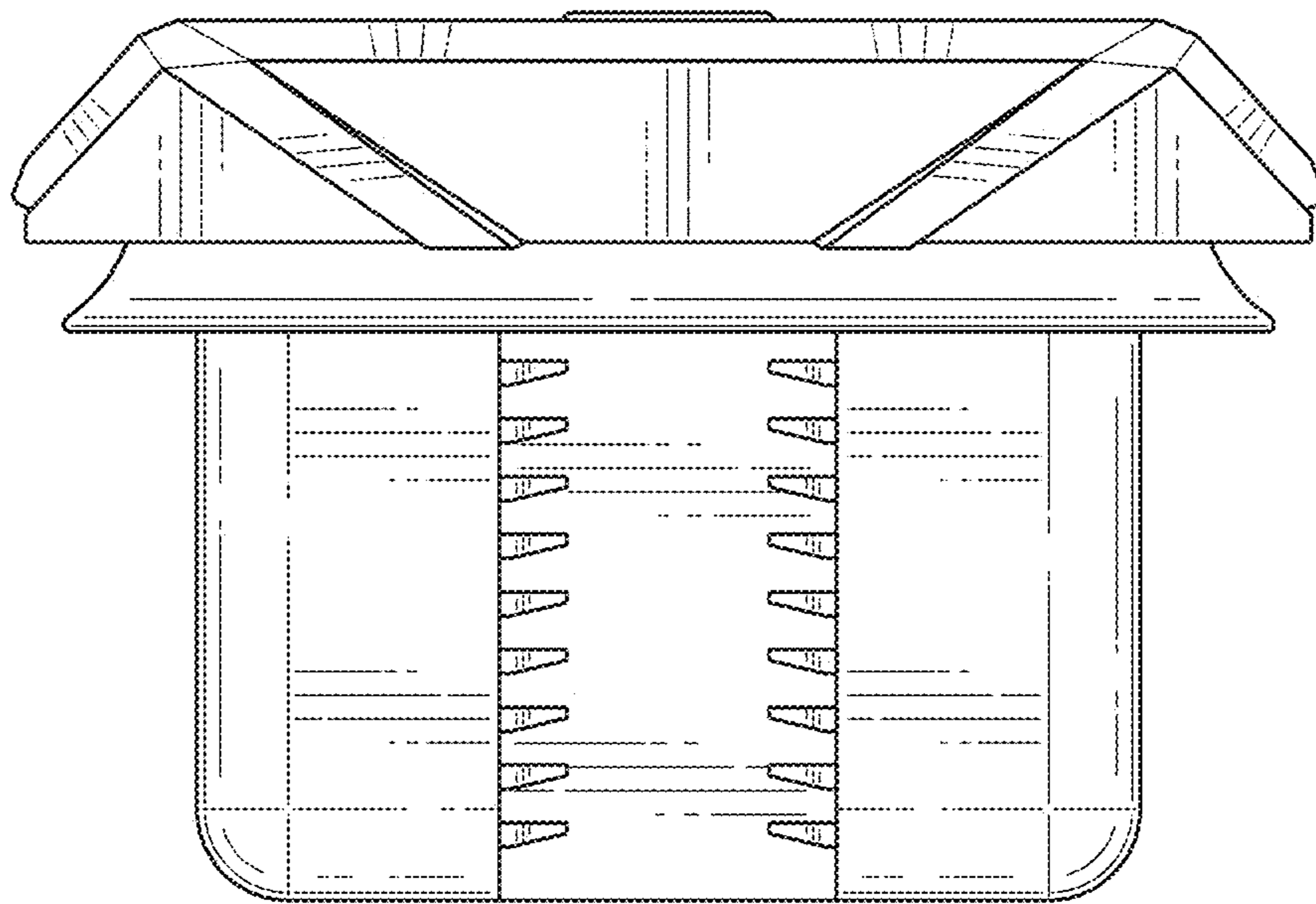


FIG. 8