



US00D945297S

(12) **United States Design Patent**  
**Shen**

(10) **Patent No.:** **US D945,297 S**  
(45) **Date of Patent:** **\*\* Mar. 8, 2022**

(54) **LIGHT BAR ASSEMBLY**

(71) Applicant: **S2B, Inc.**, Ontario, CA (US)

(72) Inventor: **Justin Shen**, Eastvale, CA (US)

(\*\*) Term: **15 Years**

(21) Appl. No.: **29/723,910**

(22) Filed: **Feb. 11, 2020**

(51) **LOC (13) Cl.** ..... **10-05**

(52) **U.S. Cl.**  
USPC ..... **D10/114.4**; D26/35

(58) **Field of Classification Search**  
USPC ..... D10/114.2, 3, 4, 8, 9; D26/28, 35, 76  
CPC ..... B60Q 2400/10; B60Q 1/0035; F21S 4/20  
See application file for complete search history.

(56) **References Cited**

**U.S. PATENT DOCUMENTS**

D491,482 S *	6/2004	Chiang	.....	D10/114.4
D497,442 S *	10/2004	Patel	.....	B60Q 1/50
				D26/28
D679,439 S *	4/2013	Lai	.....	D26/75
D682,135 S *	5/2013	Grote, Jr.	.....	D10/114.4
D682,722 S *	5/2013	Yu	.....	D10/114.2
D780,363 S *	2/2017	Scribante	.....	D26/76
D802,187 S *	11/2017	Roach	.....	D26/31
D806,595 S *	1/2018	Goltche	.....	D10/114.4
D808,059 S *	1/2018	Li	.....	D26/76
D816,889 S *	5/2018	Farnsworth	.....	D26/118
D829,950 S *	10/2018	Ko	.....	D26/31
D840,086 S *	2/2019	Deng	.....	D26/76
D850,698 S *	6/2019	Prats	.....	D26/76
D878,657 S *	3/2020	Carini	.....	D26/76
D890,394 S *	7/2020	Cameron	.....	D26/35

D898,268 S *	10/2020	Tsai	.....	D26/76
D922,671 S *	6/2021	Elwell	.....	D26/138
D922,672 S *	6/2021	Elwell	.....	D26/138
D930,881 S *	9/2021	Cho	.....	D26/76

**OTHER PUBLICATIONS**

35" Off-Road LED Chase Light Bar For UTV, available in Amazon.com, date first available Jul. 10, 2020, sit visited Sep. 20, 2021, URL: <<https://www.amazon.com/Off-Road-LED-Waterproof-Signal-Polaris/dp/B08DCNTBJR?>>. (Year: 2020).\*

\* cited by examiner

*Primary Examiner* — Joseph Kukella

*Assistant Examiner* — Lillian Windham

(74) *Attorney, Agent, or Firm* — David T. Bennett

(57) **CLAIM**

The ornamental design for a light bar assembly, as shown and described.

**DESCRIPTION**

FIG. 1 is a front perspective view of the claimed design; FIG. 2 is a rear perspective view thereof; FIG. 3 is a top orthogonal view thereof; FIG. 4 is a bottom orthogonal view thereof; FIG. 5 is a front orthogonal view thereof; FIG. 6 is a rear orthogonal view thereof; FIG. 7 is a left orthogonal view thereof; and, FIG. 8 is a right orthogonal view thereof.

The broken line portion of the figure drawings is included to show portions of the light bar assembly that form no part of the claimed design.

**1 Claim, 8 Drawing Sheets**

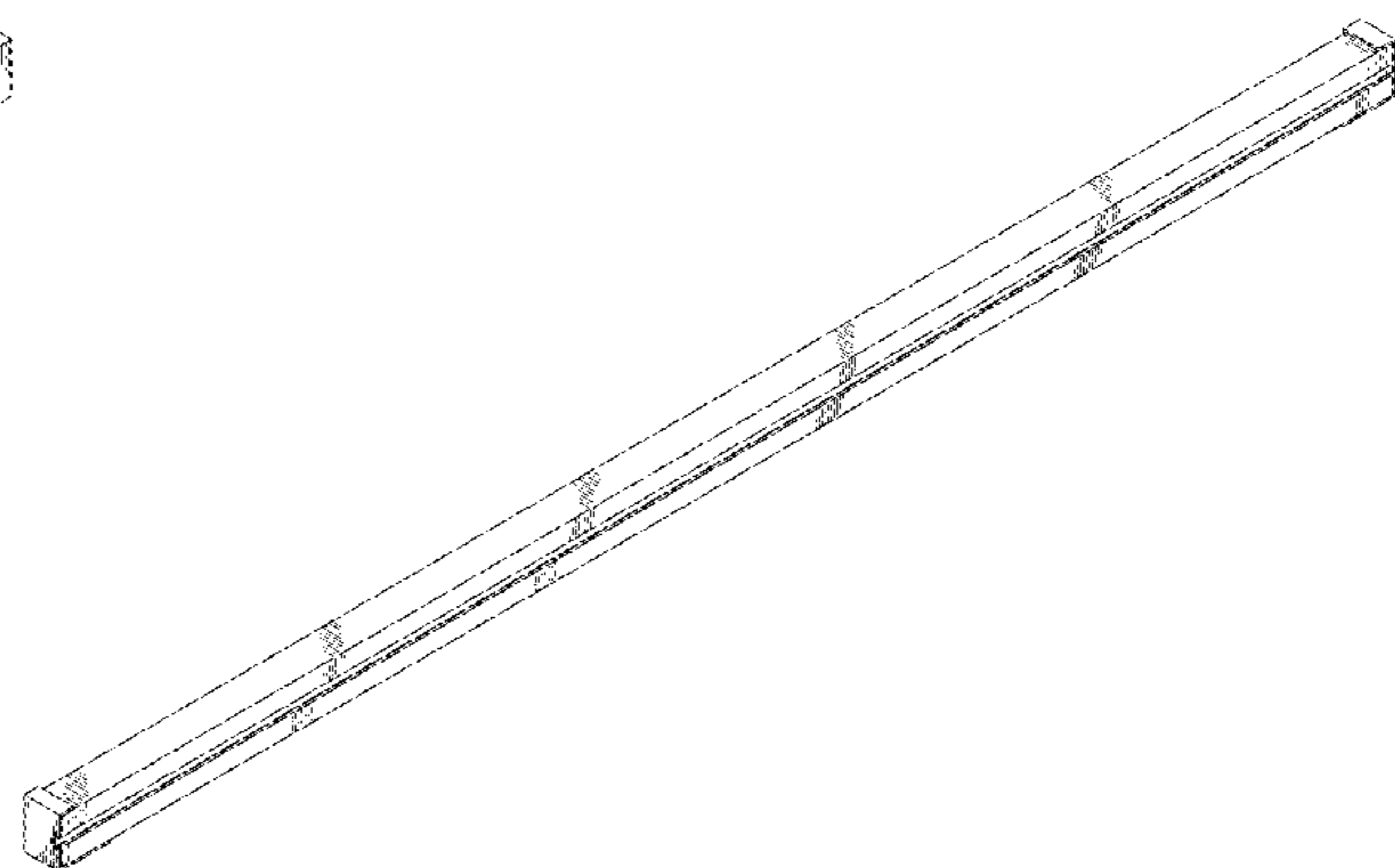
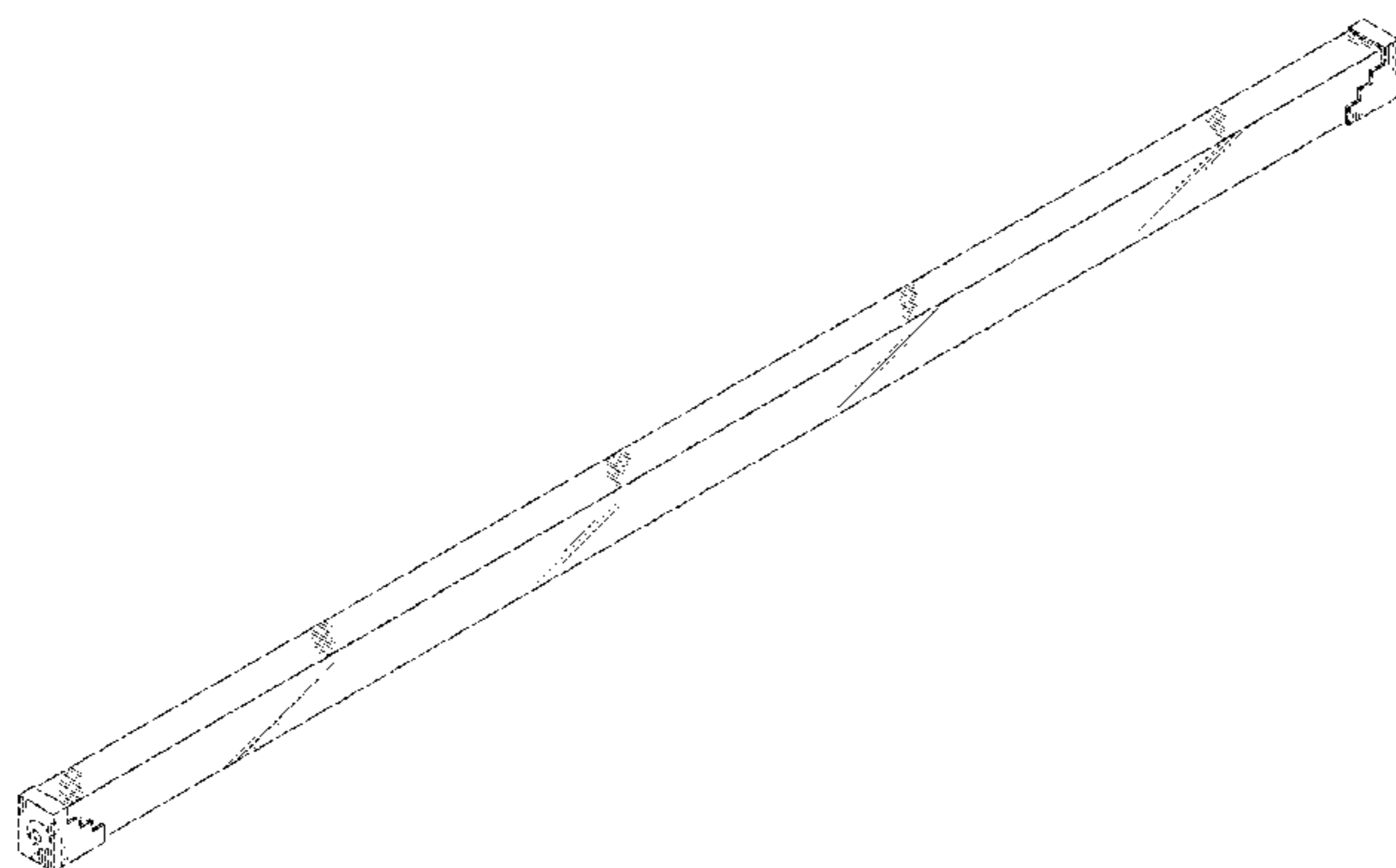


Fig. 1

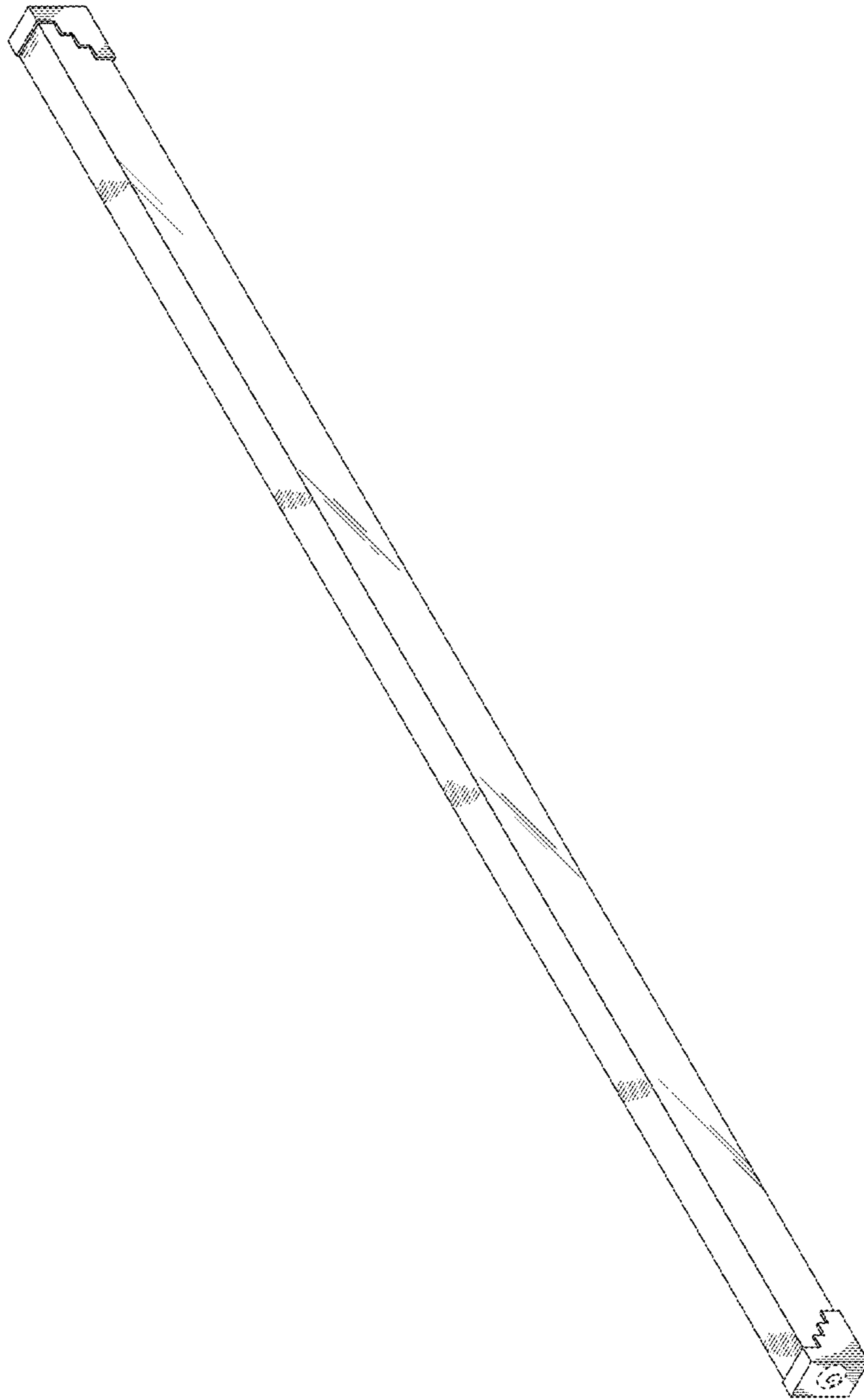


Fig. 2

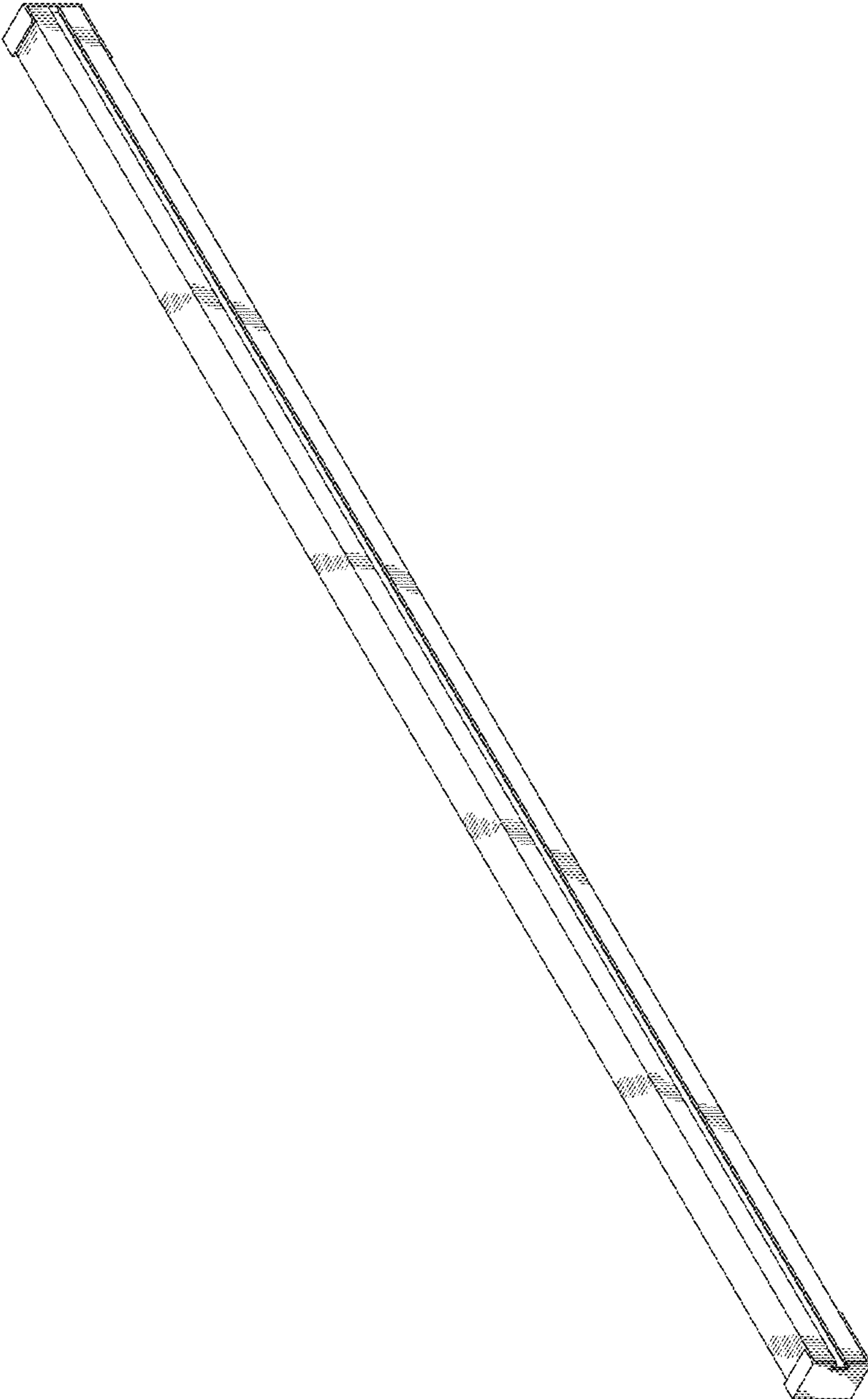


Fig. 3

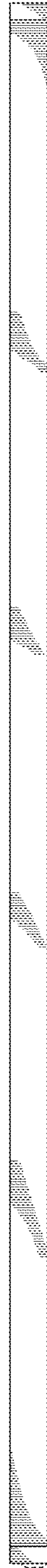


Fig. 4

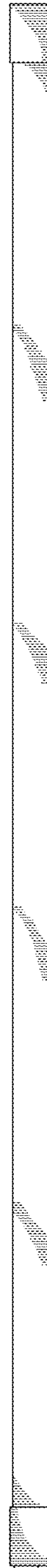


Fig. 5



Fig. 6

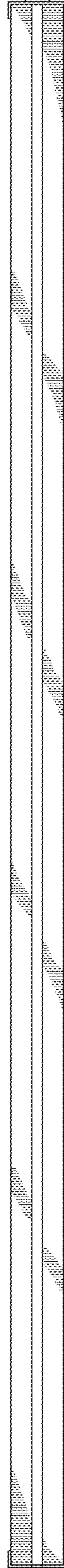


Fig. 7

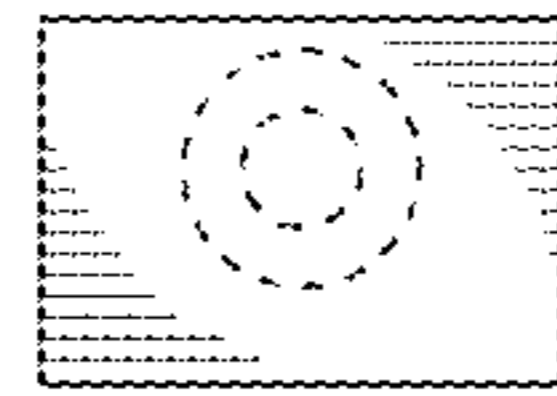




Fig. 8

