



US00D945296S

(12) **United States Design Patent**
Giusti et al.

(10) **Patent No.:** **US D945,296 S**
(45) **Date of Patent:** **** Mar. 8, 2022**

- (54) **SENSOR SYSTEM RECEPTACLE**
- (71) Applicant: **Google LLC**, Mountain View, CA (US)
- (72) Inventors: **Leonardo Giusti**, San Francisco, CA (US); **Adam Bernstein**, San Francisco, CA (US); **Carlos Martin Terminel Ibarri**, San Jose, CA (US)
- (73) Assignee: **GOOGLE LLC**, Mountain View, CA (US)
- (**) Term: **15 Years**
- (21) Appl. No.: **29/703,266**
- (22) Filed: **Aug. 26, 2019**
- (51) **LOC (13) Cl.** **10-04**
- (52) **U.S. Cl.**
USPC **D10/103**
- (58) **Field of Classification Search**
USPC D10/46, 78, 86, 103; D13/168, 173, 177;
D14/388, 432
CPC G06F 3/044; A41D 1/00
See application file for complete search history.

2018/0260052 A1 9/2018 Karagozler
 2018/0310659 A1 11/2018 Poupyrev et al.
 2018/0338544 A1 11/2018 Huang et al.

FOREIGN PATENT DOCUMENTS

WO WO 2007/137486 12/2007
 WO 2020231452 A1 11/2020

* cited by examiner

Primary Examiner — Antoine Duval Davis
 (74) *Attorney, Agent, or Firm* — Leason Ellis LLP

(57) **CLAIM**

The ornamental design for a sensor system receptacle, as shown and described.

DESCRIPTION

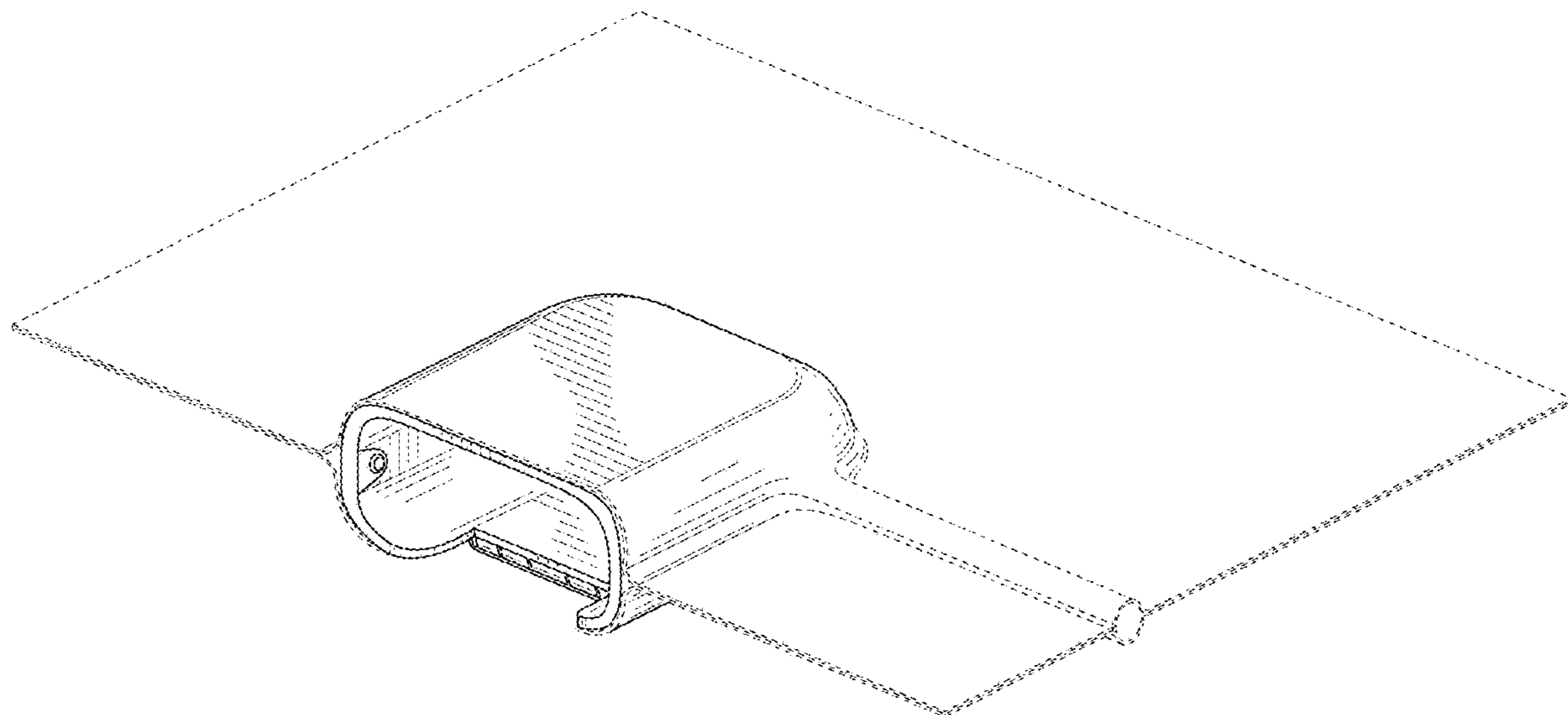
FIG. 1 is a perspective view of a sensor system receptacle showing our new design;
 FIG. 2 is a top view of the sensor system receptacle of FIG. 1;
 FIG. 3 is a bottom view of the sensor system receptacle of FIG. 1;
 FIG. 4 is a side view of the sensor system receptacle of FIG. 1;
 FIG. 5 is a side view of the sensor system receptacle of FIG. 1;
 FIG. 6 is a front view of the sensor system receptacle of FIG. 1; and,
 FIG. 7 is a rear view of the sensor system receptacle of FIG. 1.
 The broken lines and the spaces therein are included for illustrating environmental aspects only and form no part of the claimed design.

1 Claim, 5 Drawing Sheets

(56) **References Cited**

U.S. PATENT DOCUMENTS

8,035,039	B2	10/2011	Cha et al.	
8,373,672	B2	2/2013	Wallace et al.	
9,335,850	B2 *	5/2016	Lee	G06F 3/0393
2002/0076948	A1	6/2002	Farrell et al.	
2006/0281382	A1	12/2006	Karayianni et al.	
2009/0303602	A1	12/2009	Bright et al.	
2010/0283749	A1	11/2010	Walkington	
2013/0068602	A1	3/2013	Reynolds et al.	
2014/0048310	A1	2/2014	Montevirgen et al.	
2014/0295063	A1	10/2014	Petcavich et al.	
2016/0058076	A1	3/2016	Reho et al.	



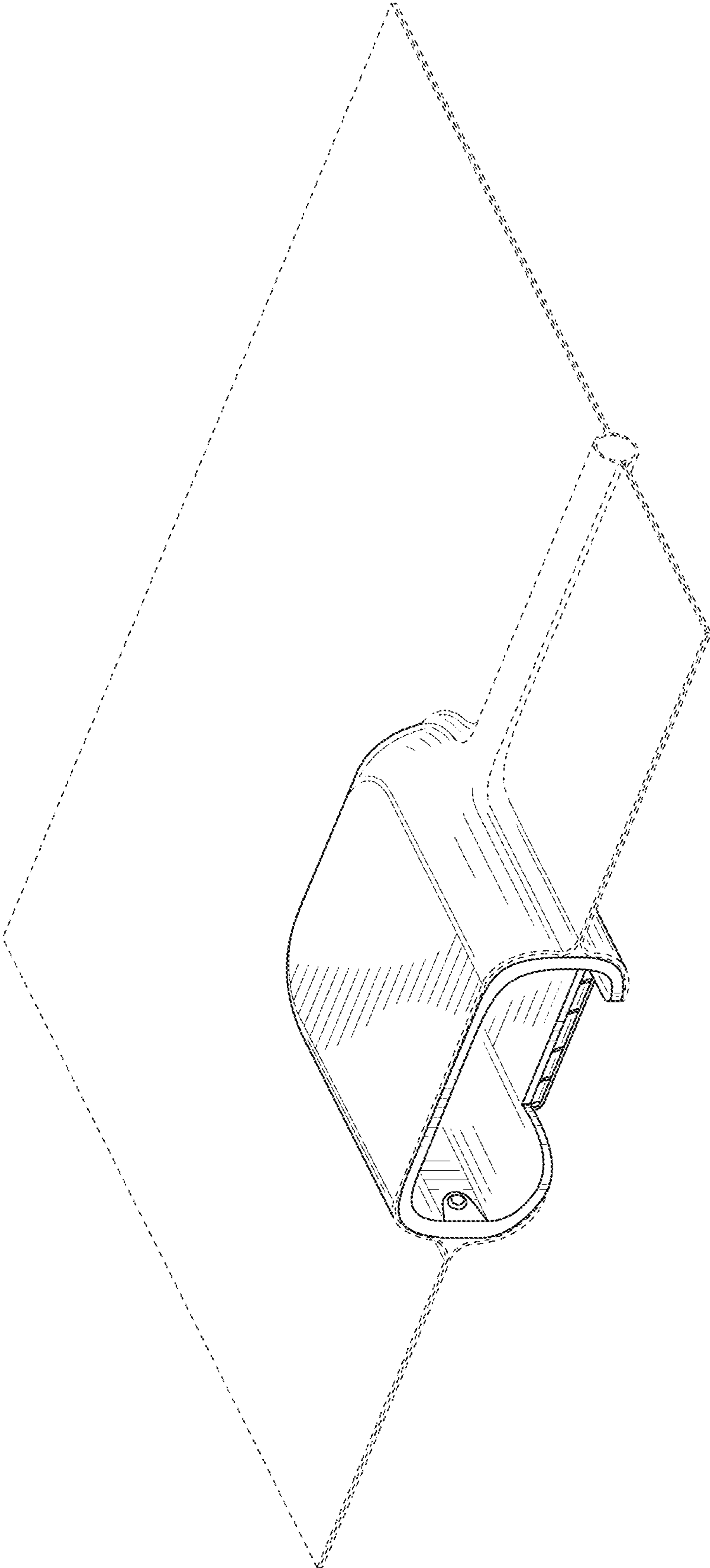


FIG. 1

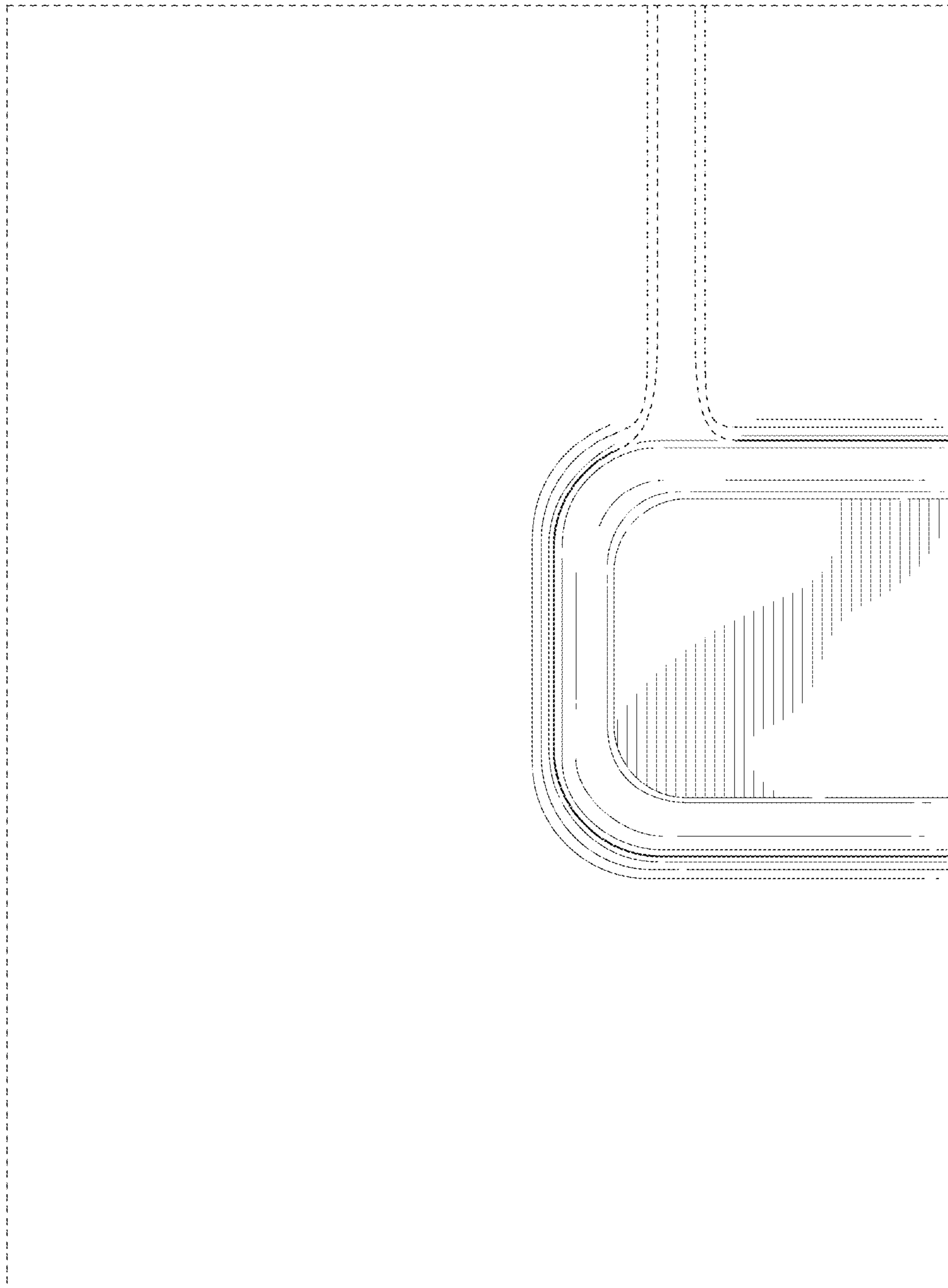


FIG. 2

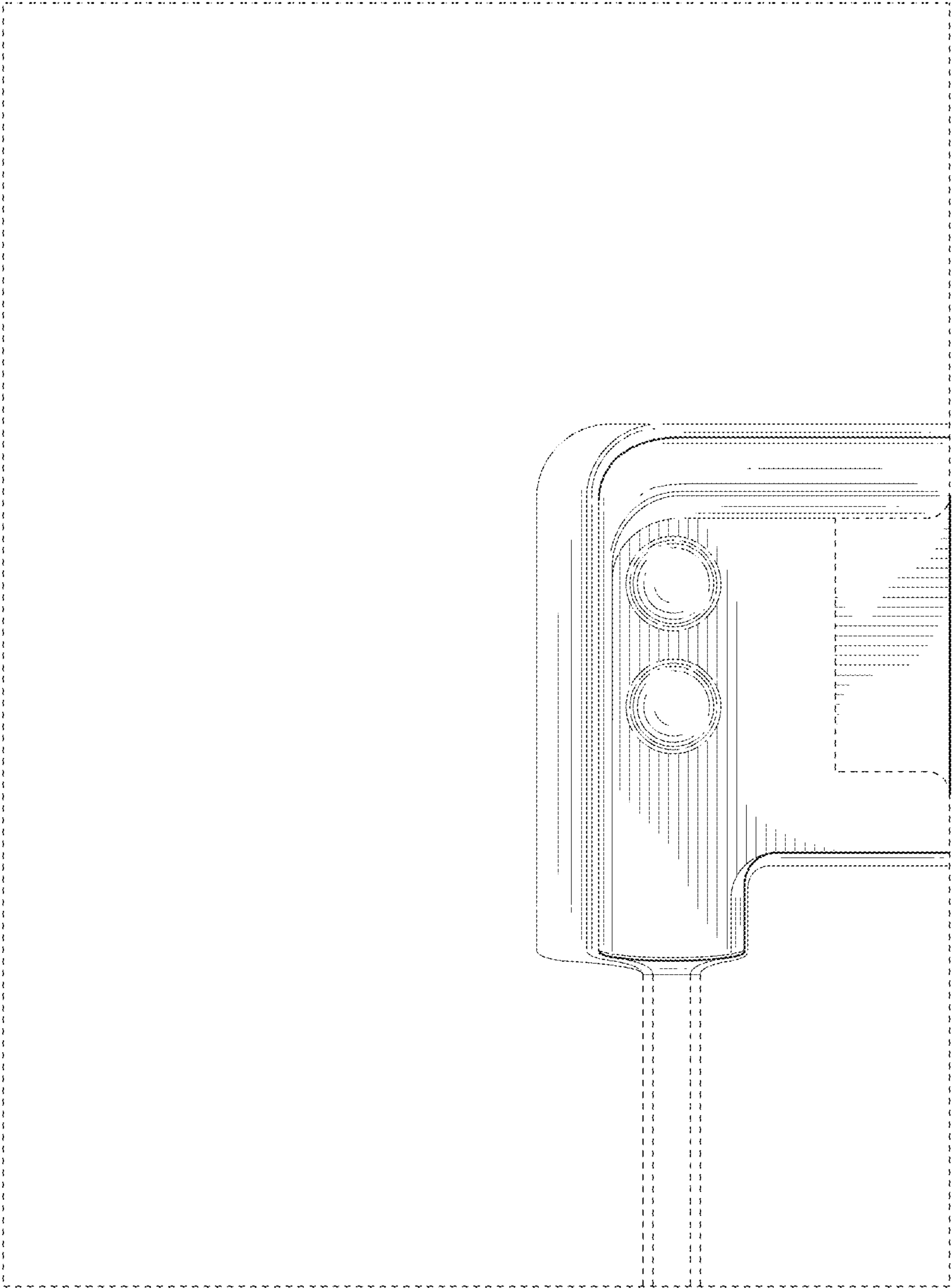


FIG. 3

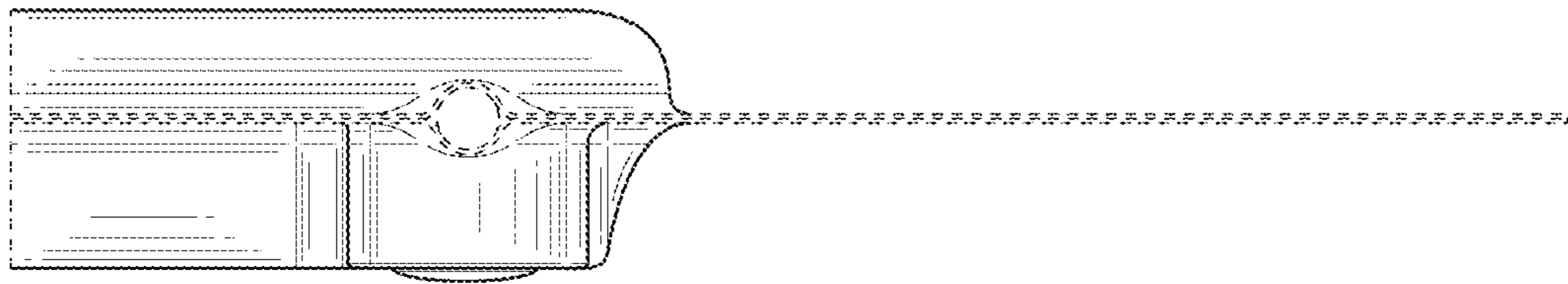


FIG. 4

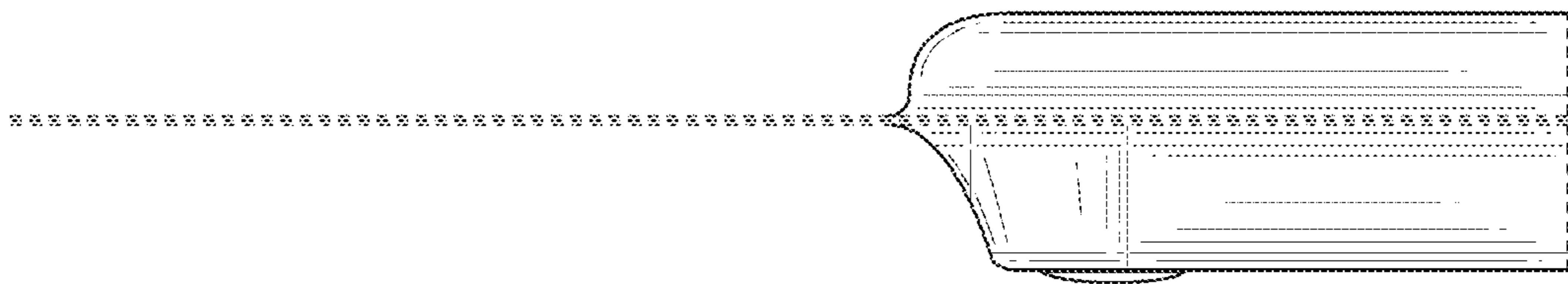


FIG. 5

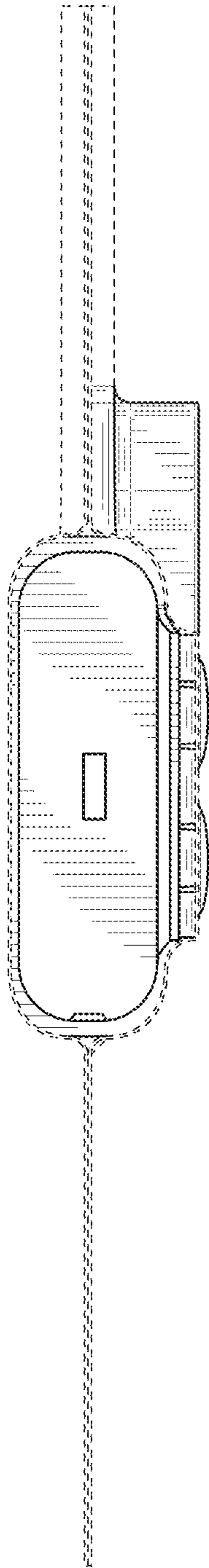


FIG. 6

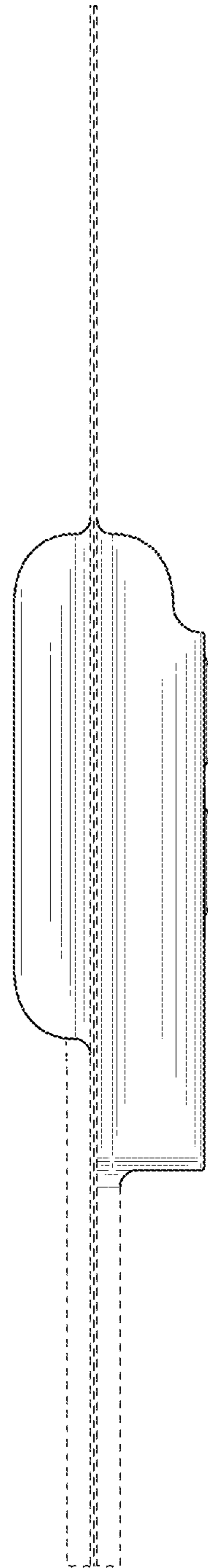


FIG. 7