

US00D945295S

(12) **United States Design Patent**  
**Giusti et al.**

(10) **Patent No.:** **US D945,295 S**  
(45) **Date of Patent:** **\*\* Mar. 8, 2022**

(54) **SENSOR SYSTEM**

(71) Applicant: **Google LLC**, Mountain View, CA (US)

(72) Inventors: **Leonardo Giusti**, San Francisco, CA (US); **Adam Bernstein**, San Francisco, CA (US); **Brendon Allen Beardsley**, Lake Stevens, WA (US); **Carlos Martin Terminel Iberri**, San Jose, CA (US)

(73) Assignee: **GOOGLE LLC**, Mountain View, CA (US)

(\*\*) Term: **15 Years**

(21) Appl. No.: **29/703,264**

(22) Filed: **Aug. 26, 2019**

(51) **LOC (13) Cl.** ..... **10-04**

(52) **U.S. Cl.**  
USPC ..... **D10/103**; D13/177; D14/432

(58) **Field of Classification Search**  
USPC ..... D10/46, 78, 86, 103  
CPC ..... G06F 3/044; A41D 1/00  
See application file for complete search history.

(56) **References Cited**

**U.S. PATENT DOCUMENTS**

8,035,039	B2	10/2011	Cha et al.	
8,119,938	B2 *	2/2012	Yu	G06F 3/044 200/5 A
8,373,672	B2	2/2013	Wallace et al.	
10,088,718	B2 *	10/2018	Li	G02F 1/13458
2002/0076948	A1	6/2002	Farrell et al.	
2006/0281382	A1	12/2006	Karayianni et al.	
2009/0303602	A1	12/2009	Bright et al.	
2010/0283749	A1	11/2010	Walkington	
2013/0068602	A1	3/2013	Reynolds et al.	
2014/0048310	A1	2/2014	Montevirgen et al.	
2014/0295063	A1	10/2014	Petcavich et al.	
2016/0058076	A1	3/2016	Reho et al.	

2018/0260052 A1 9/2018 Karagozler  
2018/0310659 A1 11/2018 Poupyrev et al.  
2018/0338544 A1 11/2018 Huang et al.

**FOREIGN PATENT DOCUMENTS**

WO WO 2007/137486 12/2007  
WO 2020231452 A1 11/2020

\* cited by examiner

*Primary Examiner* — Antoine Duval Davis

(74) *Attorney, Agent, or Firm* — Leason Ellis LLP

(57) **CLAIM**

The ornamental design for a sensor system, as shown and described.

**DESCRIPTION**

FIG. 1 is a perspective view of a sensor system with output device according to a first example embodiment of the design;

FIG. 2 is a top view of a sensor system of the embodiment of FIG. 1;

FIG. 3 is a bottom view of a sensor system of the embodiment of FIG. 1;

FIG. 4 is a side view of a sensor system of the embodiment of FIG. 1;

FIG. 5 is a side view of a sensor system of the embodiment of FIG. 1;

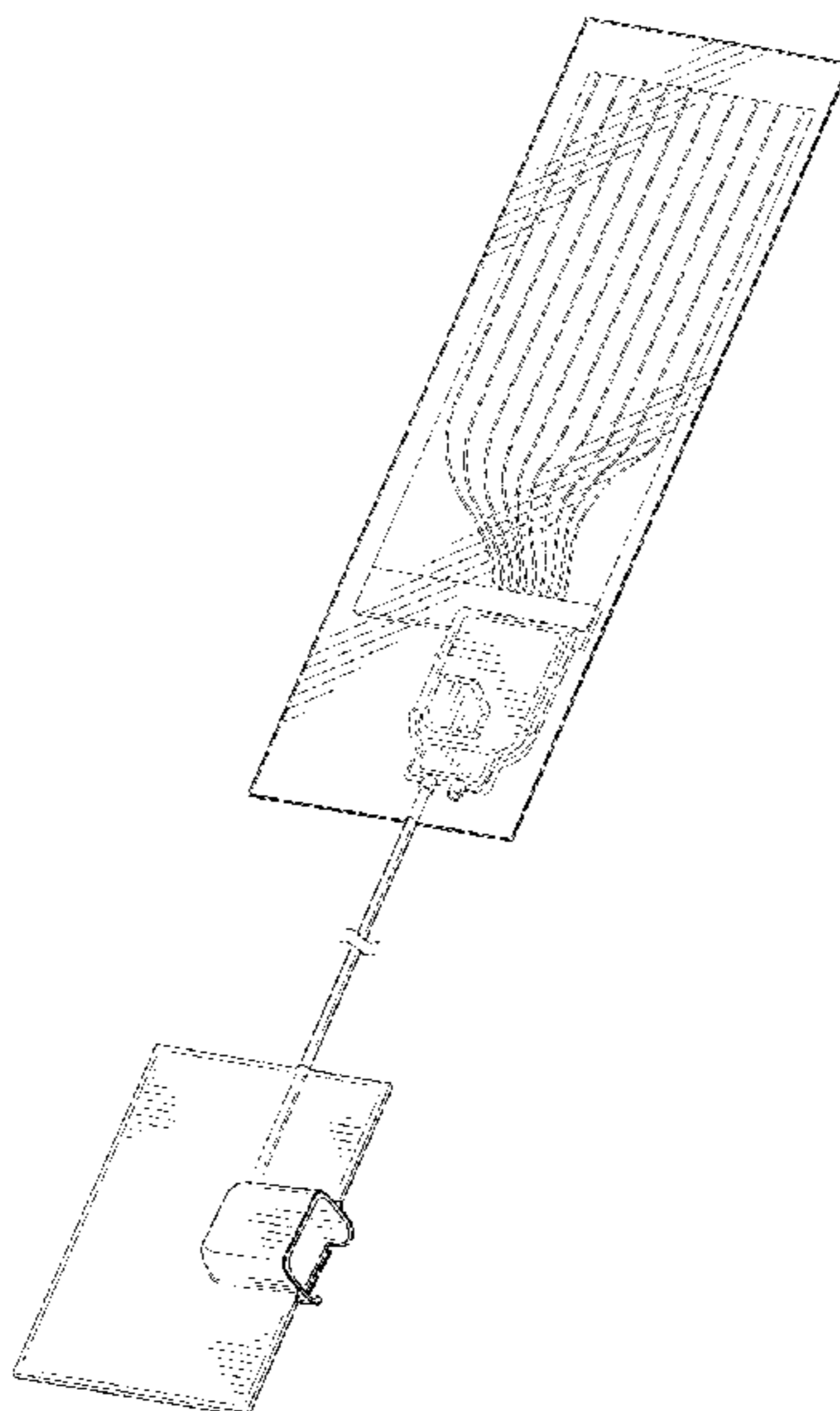
FIG. 6 is a front view of a sensor system of the embodiment of FIG. 1; and,

FIG. 7 is a rear view of a sensor system of the embodiment of FIG. 1.

The broken lines with the various embodiments of the claimed design and the spaces therein are included for illustrating environmental aspects only and form no part of the claimed design.

The article is shown with a symbolic break in its length. The appearance of any portion of the article between the break lines forms no part of the claimed design.

**1 Claim, 5 Drawing Sheets**



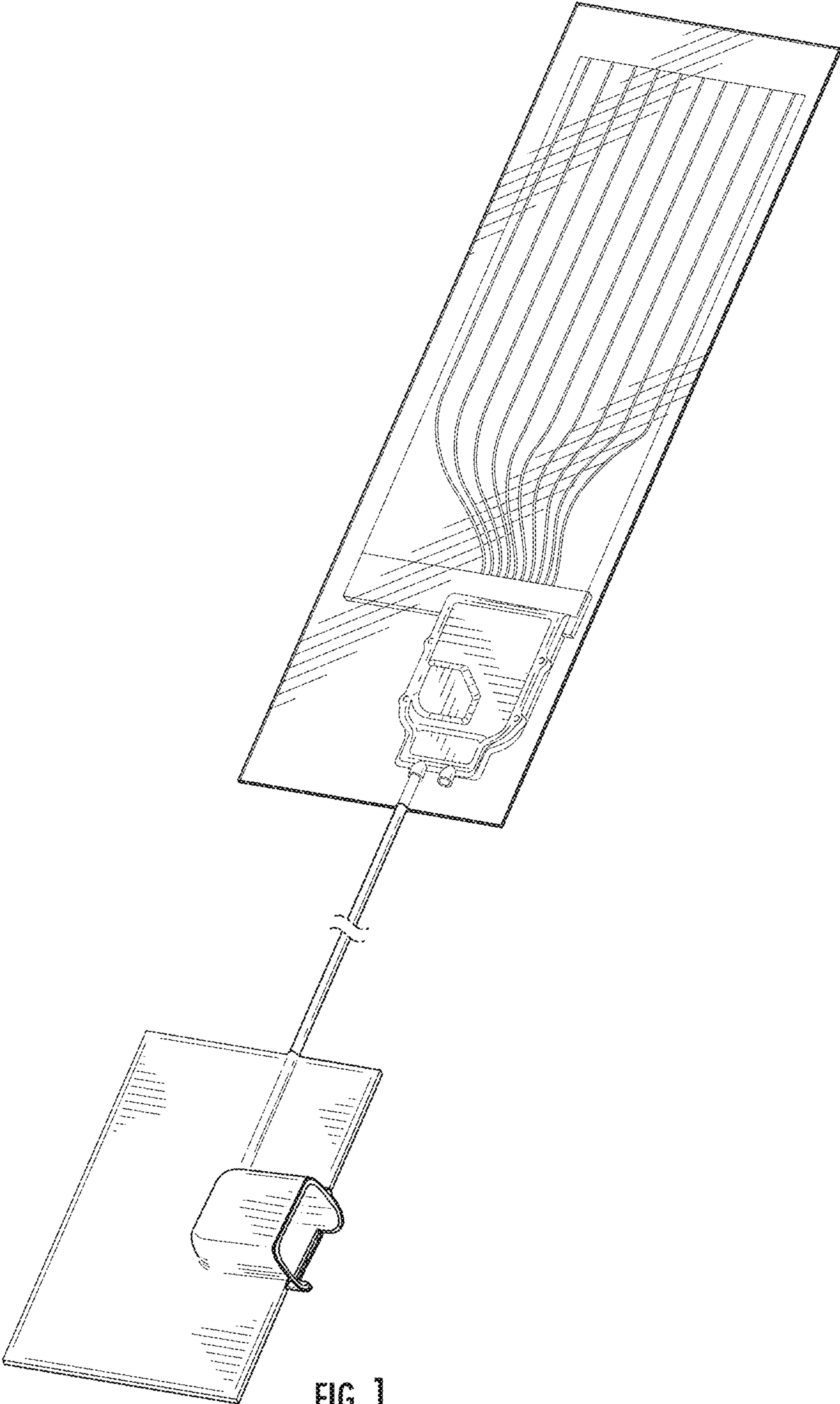


FIG. 1

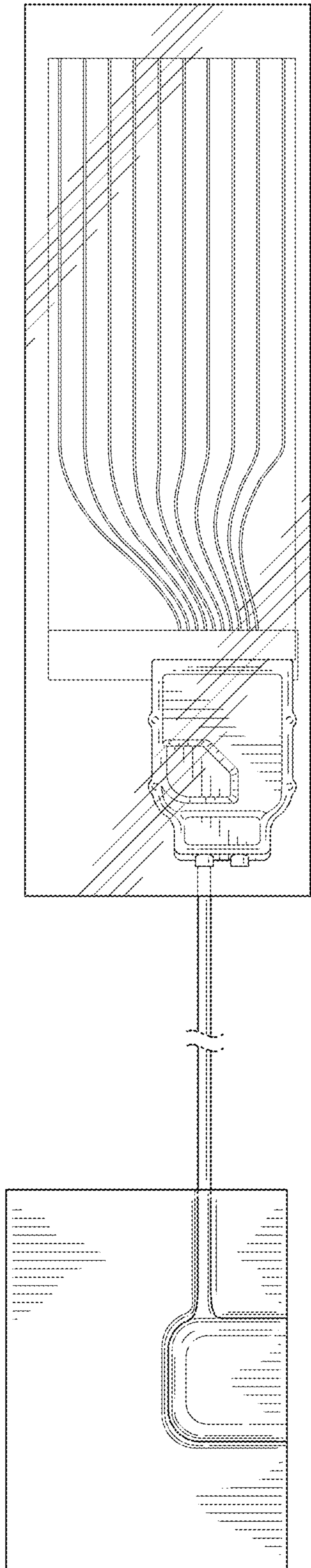


FIG. 2

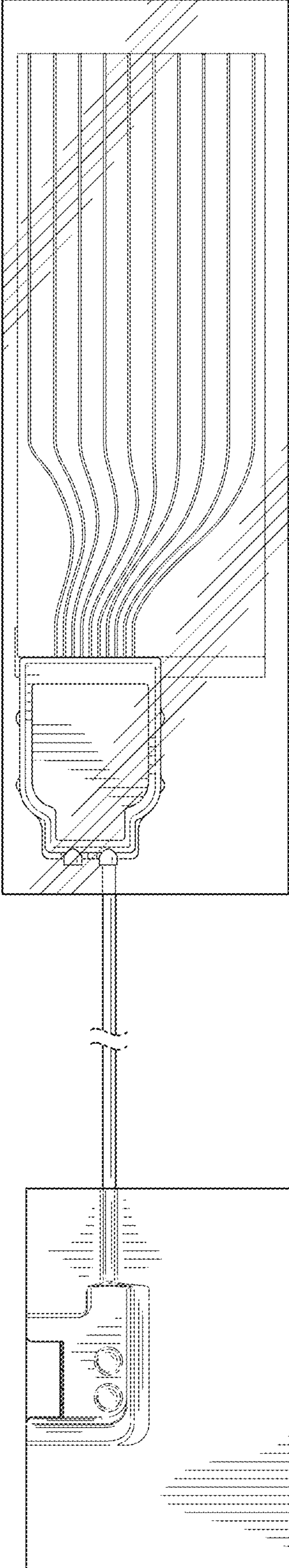


FIG. 3



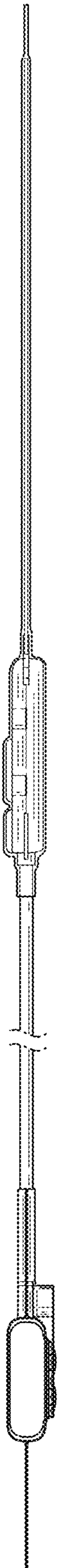


FIG. 4

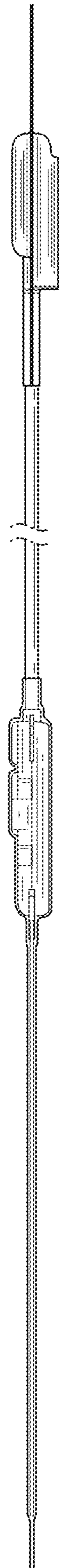


FIG. 5

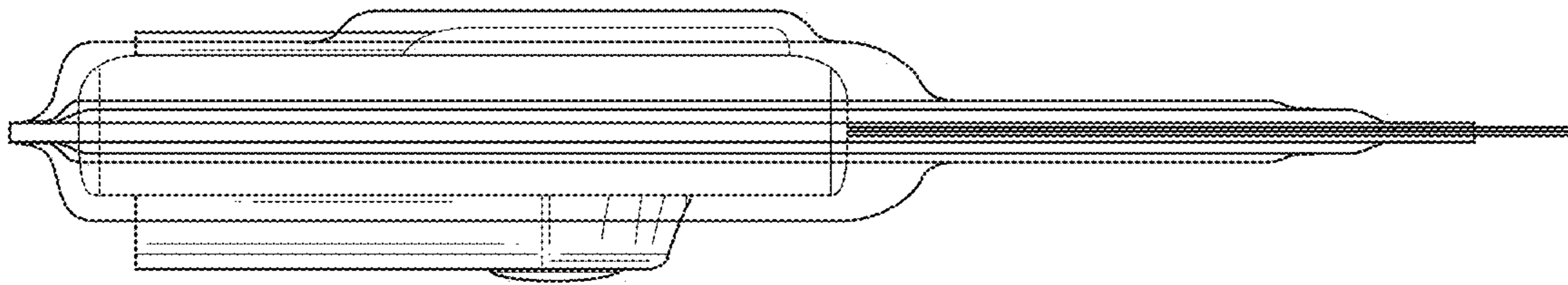


FIG. 6

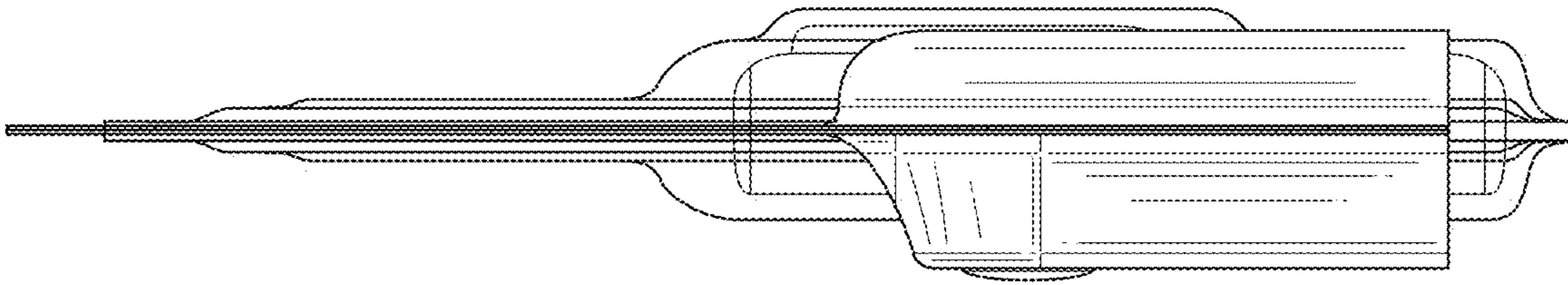


FIG. 7