



US00D945293S

(12) **United States Design Patent** (10) **Patent No.:** **US D945,293 S**
Giusti et al. (45) **Date of Patent:** **** Mar. 8, 2022**

(54) **SENSOR ASSEMBLY**
(71) Applicant: **Google LLC**, Mountain View, CA (US)
(72) Inventors: **Leonardo Giusti**, San Francisco, CA (US); **Adam Bernstein**, San Francisco, CA (US); **Carlos Martin Terminel Iberri**, San Jose, CA (US)

2018/0260052 A1 9/2018 Karagozler
2018/0310659 A1 11/2018 Poupyrev et al.
2018/0338544 A1 11/2018 Huang et al.

FOREIGN PATENT DOCUMENTS

WO WO 2007/137486 12/2007
WO 2020231452 A1 11/2020

* cited by examiner

(73) Assignee: **GOOGLE LLC**, Mountain View, CA (US)

Primary Examiner — Antoine Duval Davis
(74) *Attorney, Agent, or Firm* — Leason Ellis LLP

(**) Term: **15 Years**

(57) **CLAIM**

(21) Appl. No.: **29/703,253**

The ornamental design for a sensor assembly, as shown and described.

(22) Filed: **Aug. 26, 2019**

DESCRIPTION

(51) **LOC (13) Cl.** **10-04**

(52) **U.S. Cl.**
USPC **D10/103**; D13/177; D14/432

(58) **Field of Classification Search**
USPC D10/46, 78, 80, 103; D13/168, 173, 177; D14/388, 432

CPC G06F 3/044; A41D 1/00
See application file for complete search history.

FIG. 1 is a perspective view of a sensor assembly according to a first example embodiment of the design; FIG. 2 is a top view of a sensor assembly of the embodiment of FIG. 1; FIG. 3 is a bottom view of a sensor assembly of the embodiment of FIG. 1; FIG. 4 is a side view of a sensor assembly of the embodiment of FIG. 1; FIG. 5 is a side view of a sensor assembly of the embodiment of FIG. 1; FIG. 6 is a front view of a sensor assembly of the embodiment of FIG. 1; and, FIG. 7 is a rear view of a sensor assembly of the embodiment of FIG. 1.

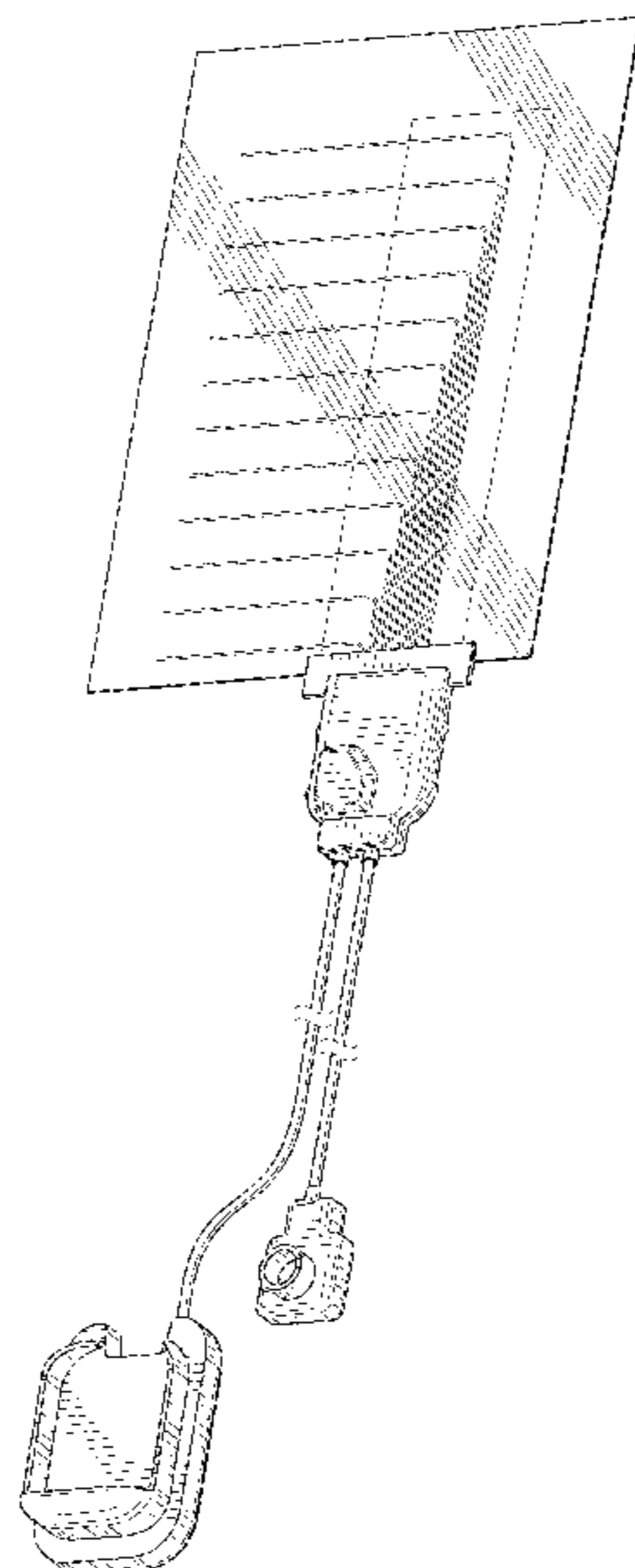
(56) **References Cited**

U.S. PATENT DOCUMENTS

8,035,039 B2 10/2011 Cha et al.
8,119,938 B2* 2/2012 Yu G06F 3/044
200/5 A
8,373,672 B2 2/2013 Wallace et al.
10,088,718 B2* 10/2018 Li G02F 1/13458
2002/0076948 A1 6/2002 Farrell et al.
2006/0281382 A1 12/2006 Karayianni et al.
2009/0303602 A1 12/2009 Bright et al.
2010/0283749 A1 11/2010 Walkington
2013/0068602 A1 3/2013 Reynolds et al.
2014/0048310 A1 2/2014 Montevirgen et al.
2014/0295063 A1 10/2014 Petcavich et al.
2016/0058076 A1 3/2016 Reho et al.

The broken lines with the various embodiments of the claimed design and the spaces therein are included for illustrating environmental aspects only and form no part of the claimed design.
The article is shown with a symbolic break in its length. The appearance of any portion of the article between the break lines forms no part of the claimed design.

1 Claim, 5 Drawing Sheets



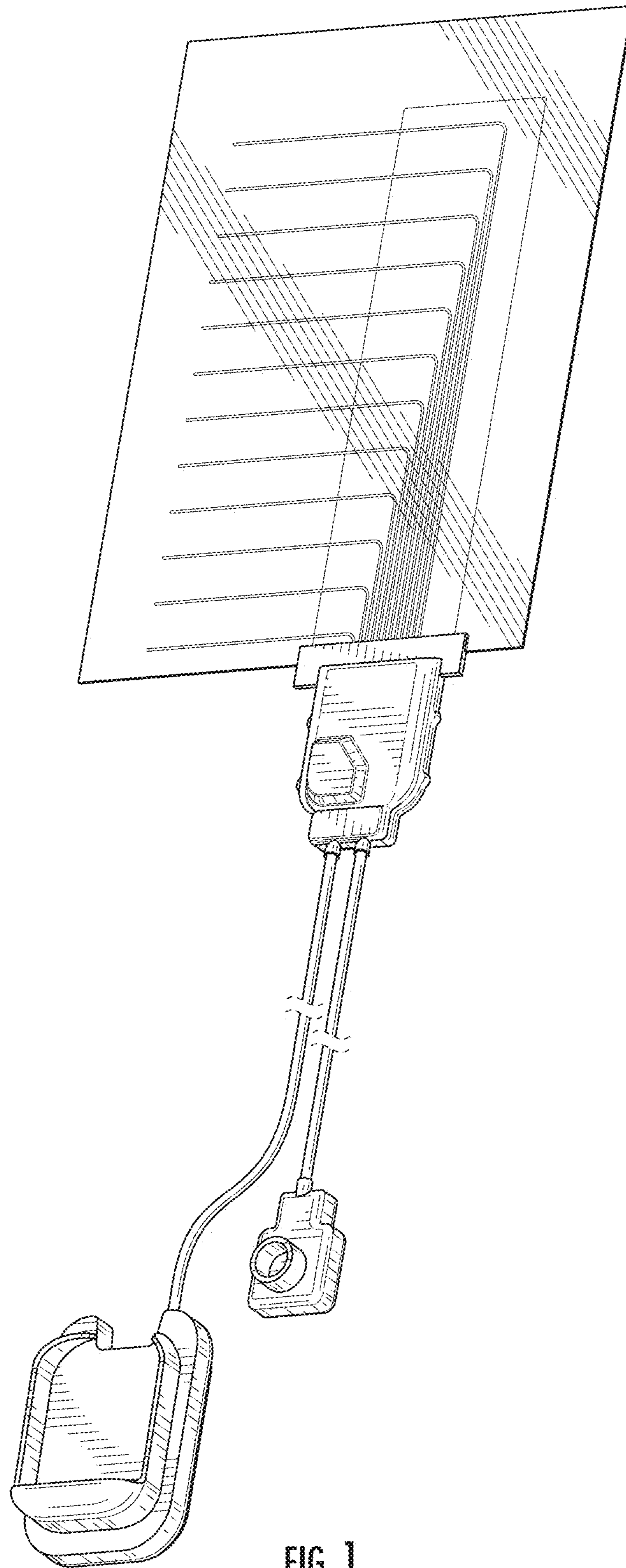


FIG. 1

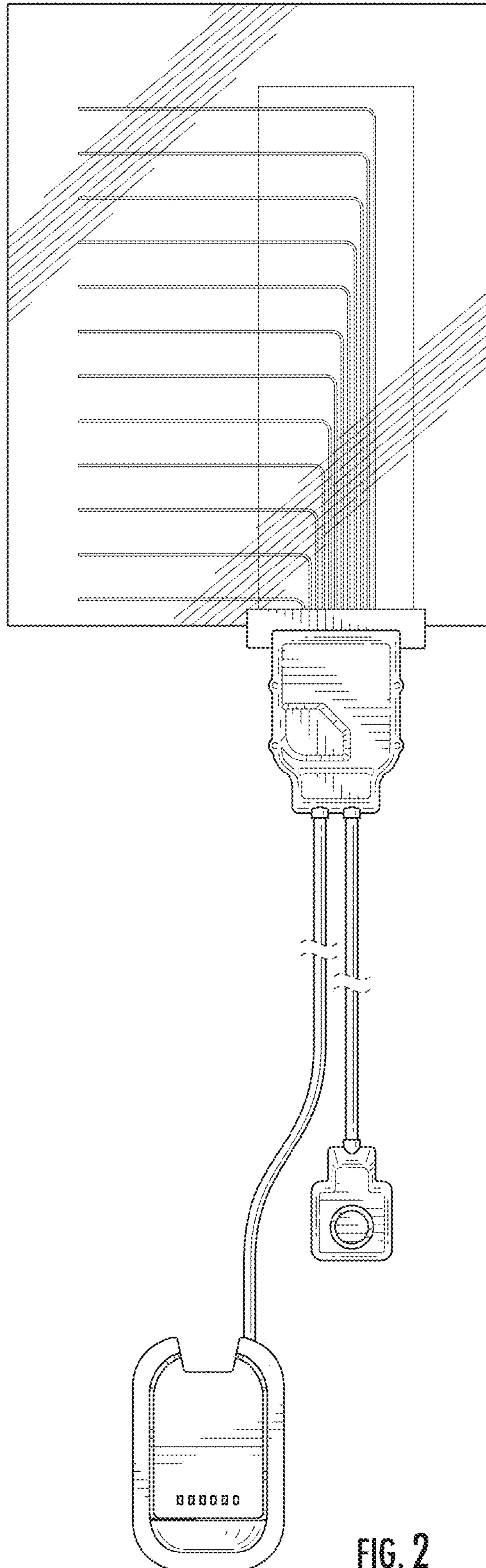


FIG. 2

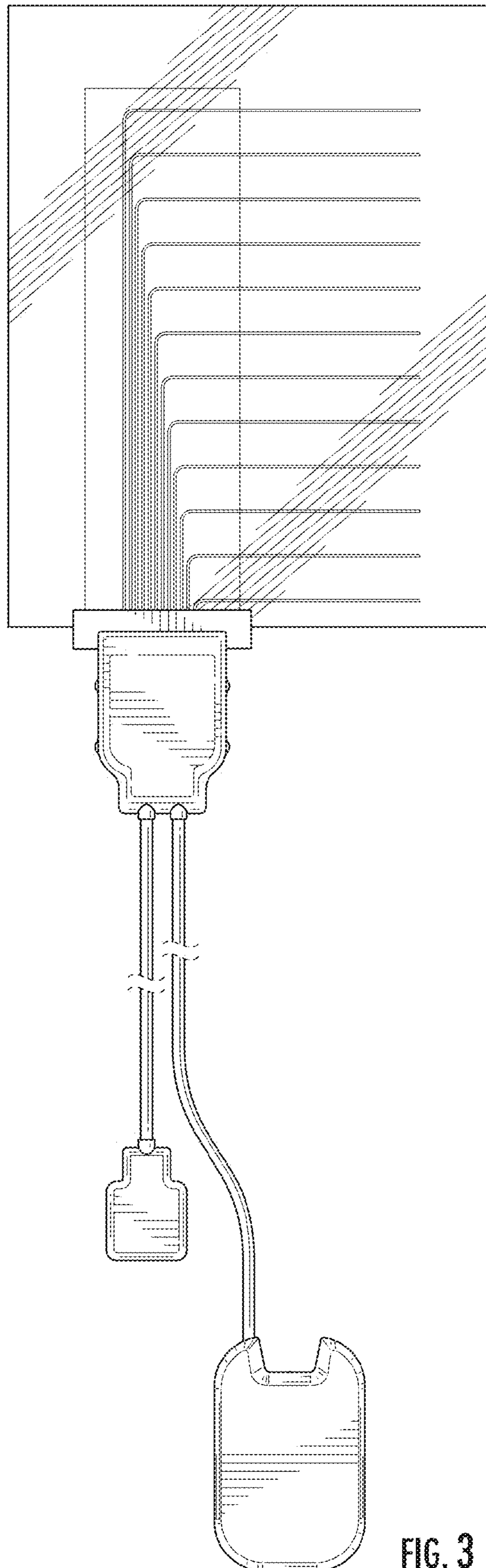


FIG. 3

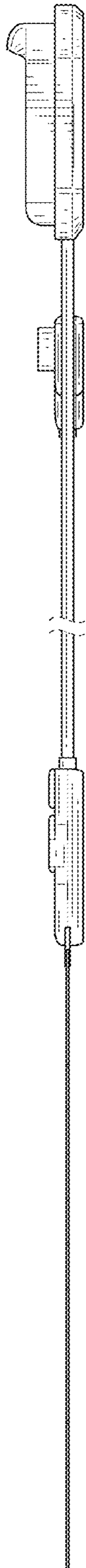


FIG. 4

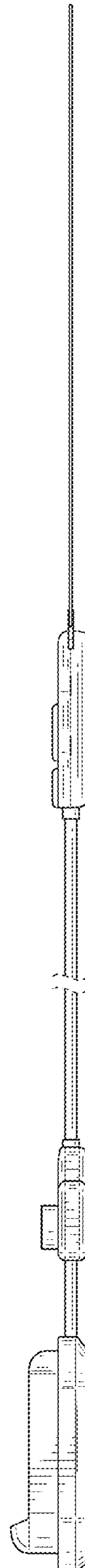


FIG. 5

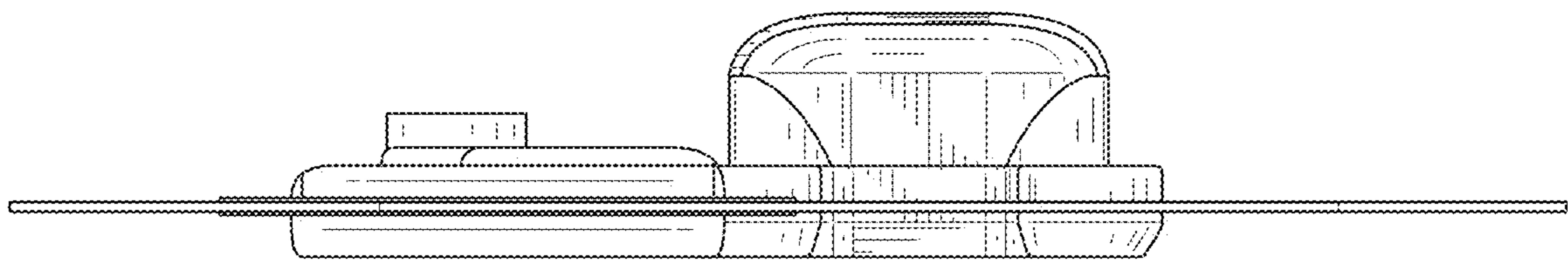


FIG. 6

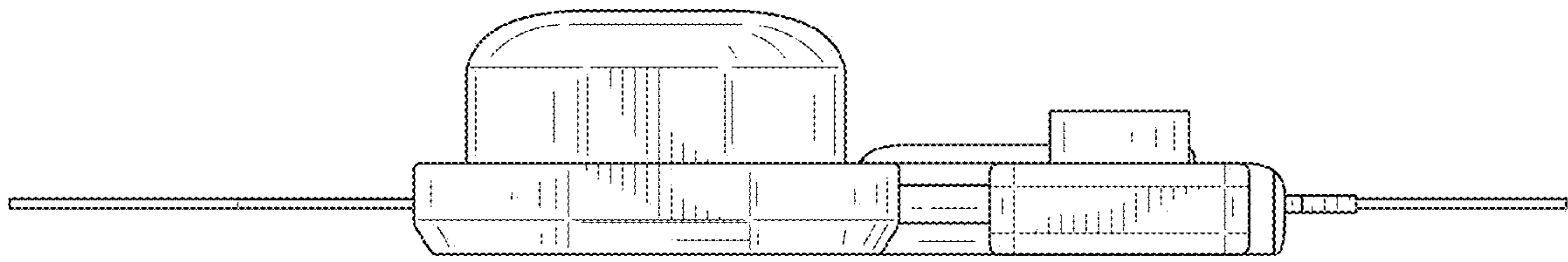


FIG. 7