



US00D945292S

(12) **United States Design Patent** (10) **Patent No.:** **US D945,292 S**
Nakai et al. (45) **Date of Patent:** **** Mar. 8, 2022**

(54) **FLOW SENSOR**

(71) Applicant: **Panasonic Intellectual Property Management Co., Ltd.**, Osaka (JP)
 (72) Inventors: **Hiroshi Nakai**, Osaka-fu (JP); **Yudai Ishizaki**, Osaka-fu (JP); **Kenji Yasuda**, Kyoto-fu (JP)
 (73) Assignee: **Panasonic Intellectual Property Management Co., Ltd.**, Osaka (JP)

(**) Term: **15 Years**

(21) Appl. No.: **29/710,454**

(22) Filed: **Oct. 23, 2019**

(30) **Foreign Application Priority Data**

Jun. 25, 2019 (JP) 2019-013981

(51) **LOC (13) Cl.** **10-04**

(52) **U.S. Cl.**
USPC **D10/96**

(58) **Field of Classification Search**
 USPC D10/96
 CPC G01F 1/40; G01F 1/42; G01F 1/44; G01F 1/46; G01F 1/74; G01F 11/003; G01F 11/006; G01F 3/00; G01F 3/02; G01F 3/04; G01F 3/06; G01F 3/065; G01F 3/08; G01F 3/10; G01F 3/12; G01N 21/03; G01N 21/05; G01N 2021/0378; G01N 2021/0382; G01N 2021/052; G01N 2021/054; G01N 2021/056; G01N 2021/058

See application file for complete search history.

(56) **References Cited**

U.S. PATENT DOCUMENTS

D401,872 S 12/1998 Mohan
 D572,159 S * 7/2008 Avery D10/96
 D689,391 S 9/2013 Okawa et al.
 D781,163 S 3/2017 Beldon

FOREIGN PATENT DOCUMENTS

JP 1099103 1/2001
 JP 1593399 12/2017

* cited by examiner

Primary Examiner — Antoine Duval Davis

(74) *Attorney, Agent, or Firm* — Crowell & Moring LLP

(57) **CLAIM**

The ornamental design for a flow sensor, as shown and described.

DESCRIPTION

FIG. 1 is a top-front perspective view of a flow sensor of the present invention;
 FIG. 2 is a bottom-rear perspective view thereof;
 FIG. 3 is a front view thereof;
 FIG. 4 is a rear view thereof;
 FIG. 5 is a left side view thereof;
 FIG. 6 is a right side view thereof;
 FIG. 7 is a top view thereof; and,
 FIG. 8 is a bottom view thereof.

1 Claim, 8 Drawing Sheets

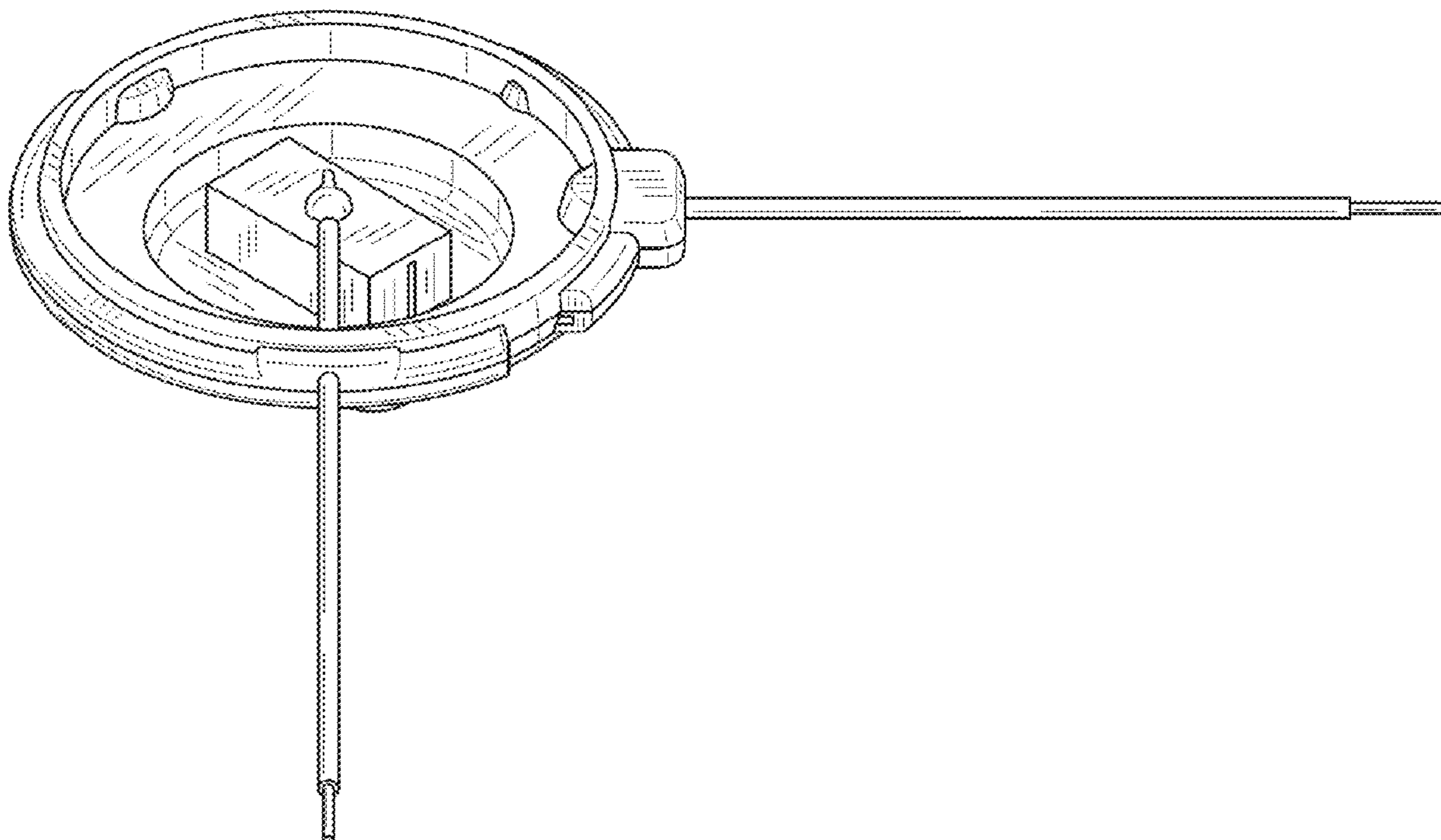


FIG. 1

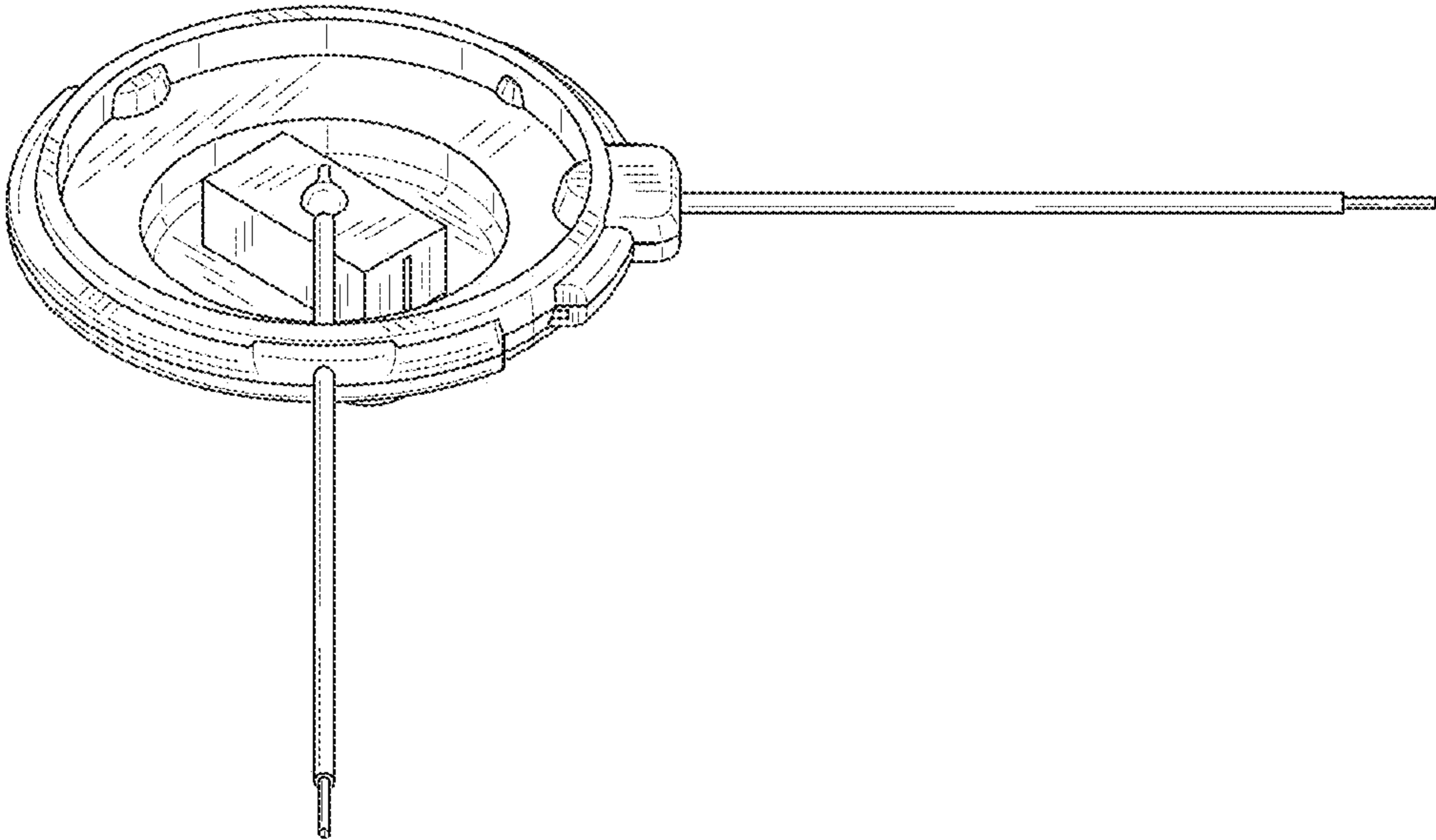


FIG. 2

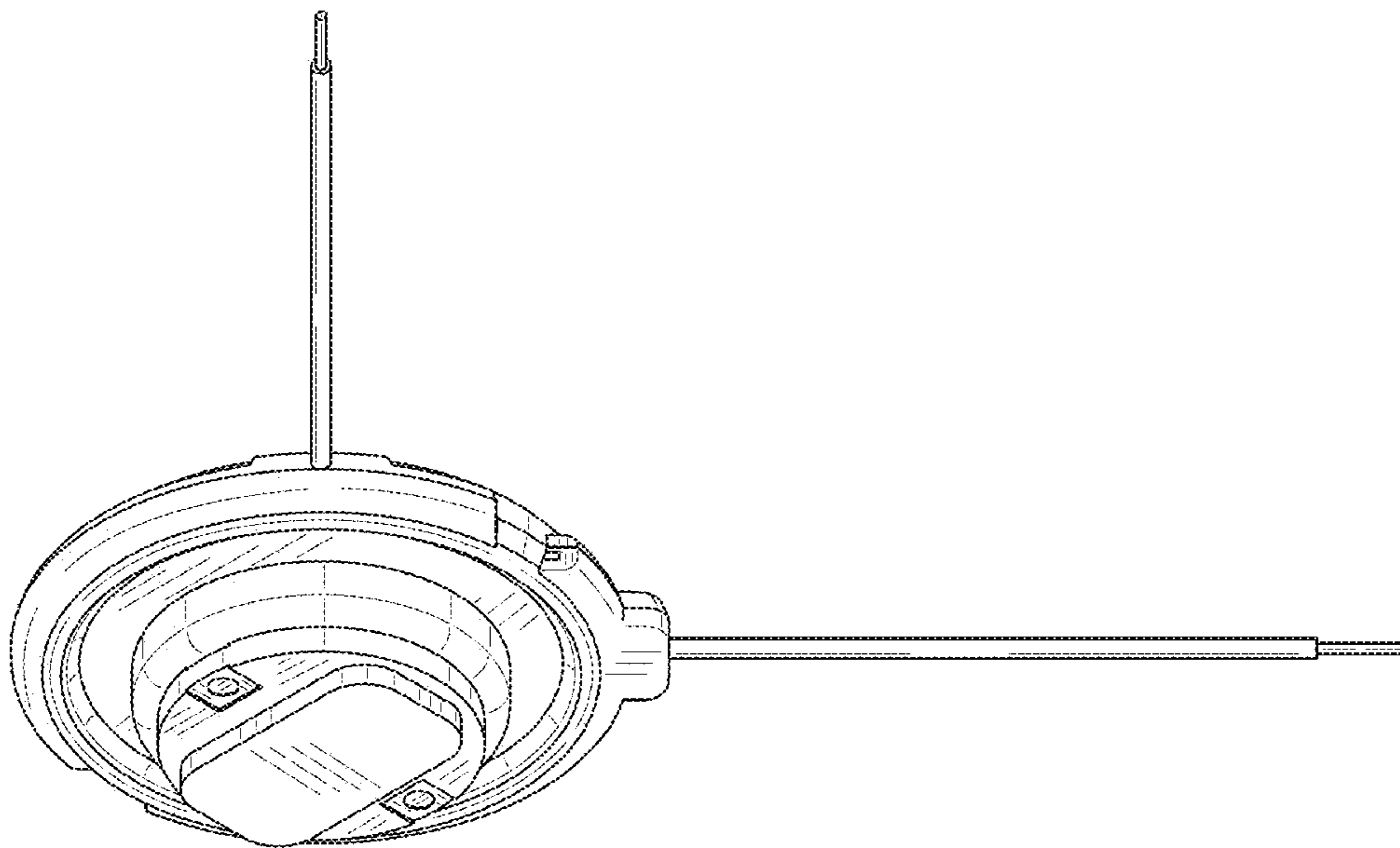


FIG. 3

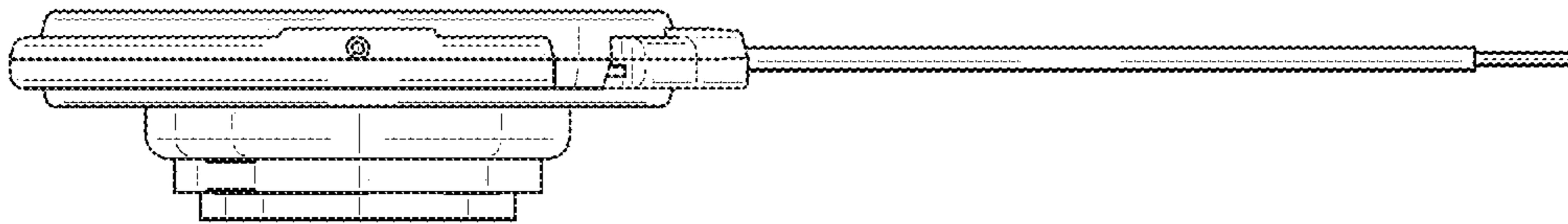


FIG. 4

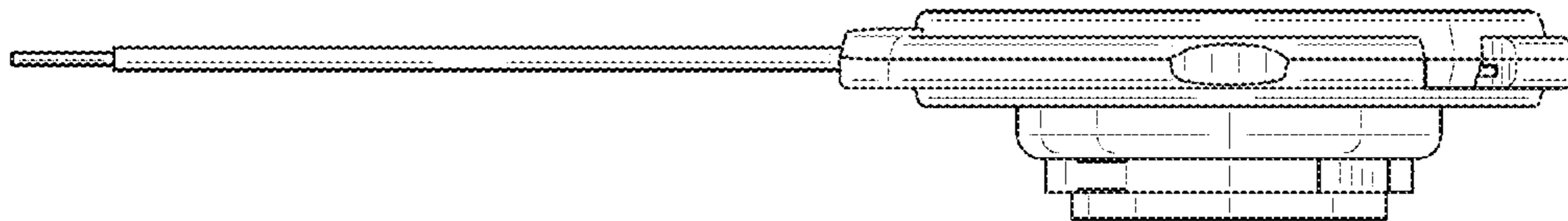


FIG. 5

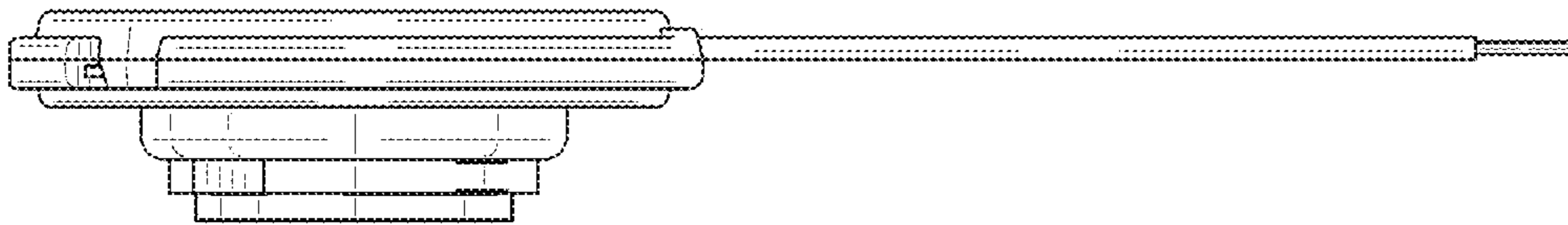


FIG. 6

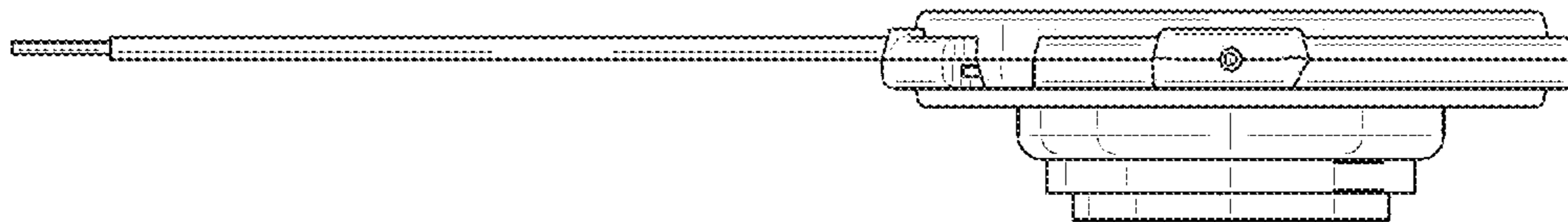


FIG. 7

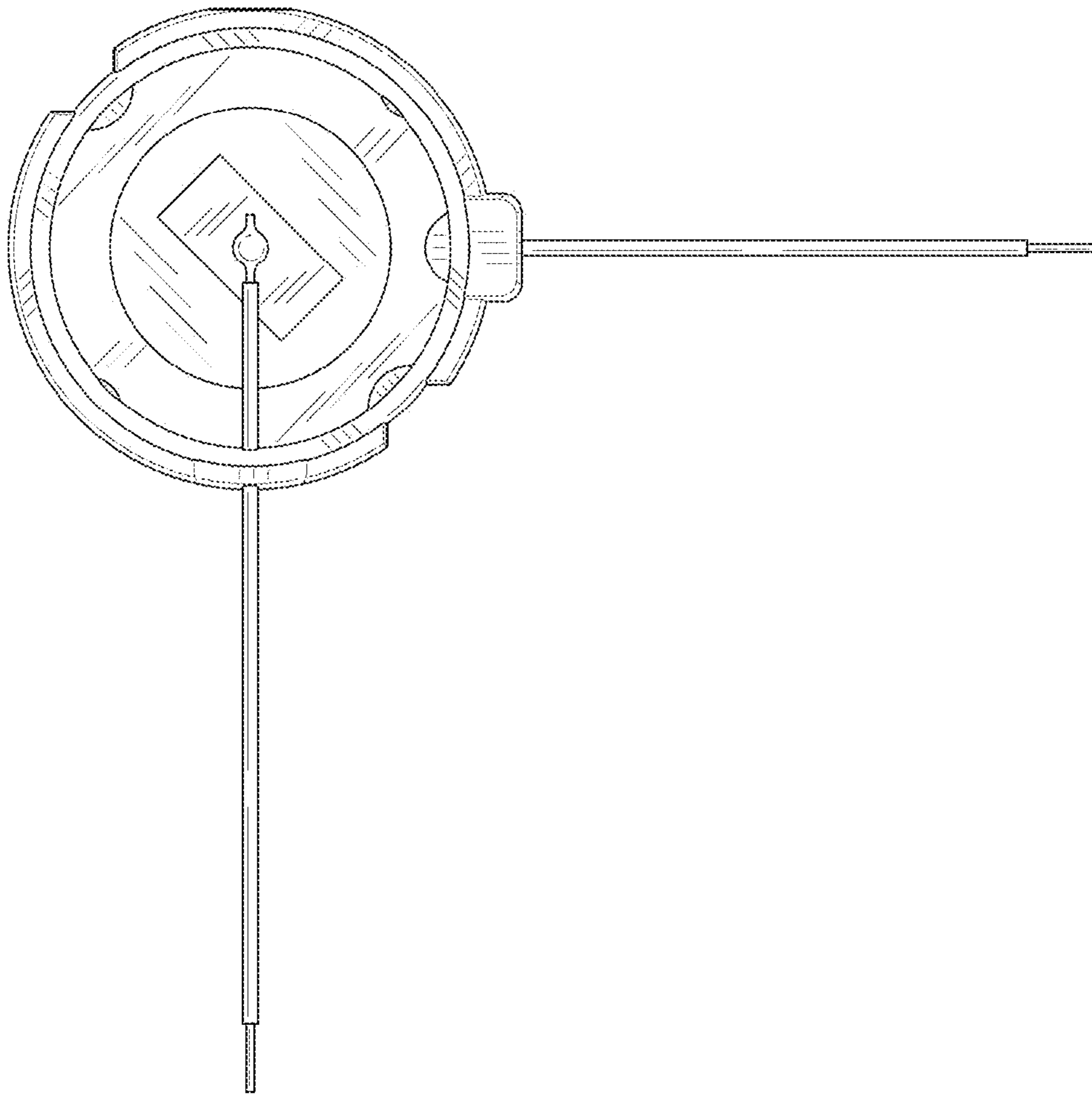


FIG. 8

