



US00D945287S

(12) **United States Design Patent**
Xia

(10) **Patent No.:** **US D945,287 S**
(45) **Date of Patent:** **** Mar. 8, 2022**

(54) **TRIANGLE RULER**

(56) **References Cited**

(71) Applicant: **HaoDe Technology Co., Ltd.**, Jinhua (CN)

U.S. PATENT DOCUMENTS

(72) Inventor: **Xinqian Xia**, Jinhua (CN)

D460,008 S * 7/2002 Cina D10/62
D814,322 S * 4/2018 Pepper D10/62

(73) Assignee: **Haode Technology Co., Ltd.**, Jinhua (CN)

* cited by examiner

(**) Term: **15 Years**

Primary Examiner — Antoine Duval Davis

(74) *Attorney, Agent, or Firm* — Wang Law Firm, Inc.

(21) Appl. No.: **29/652,578**

(57) **CLAIM**

The ornamental design for a triangle ruler, as shown and described.

(22) Filed: **Sep. 24, 2020**

DESCRIPTION

(30) **Foreign Application Priority Data**

Mar. 25, 2020 (CN) 202030106683.5

FIG. 1 is a perspective view of a triangle ruler showing my new design;

FIG. 2 is a front view thereof;

FIG. 3 is a rear view thereof;

FIG. 4 is a left view thereof;

FIG. 5 is a right view thereof;

FIG. 6 is a top view thereof;

FIG. 7 is a bottom view thereof;

FIG. 8 is a perspective view of a triangle of the triangle ruler;

FIG. 9 is a front view thereof;

FIG. 10 is a rear view thereof;

FIG. 11 is a left view thereof;

FIG. 12 is a right view thereof;

FIG. 13 is a top view thereof; and,

FIG. 14 is a bottom view thereof.

(51) **LOC (13) Cl.** **10-04**

(52) **U.S. Cl.**
USPC **D10/65**

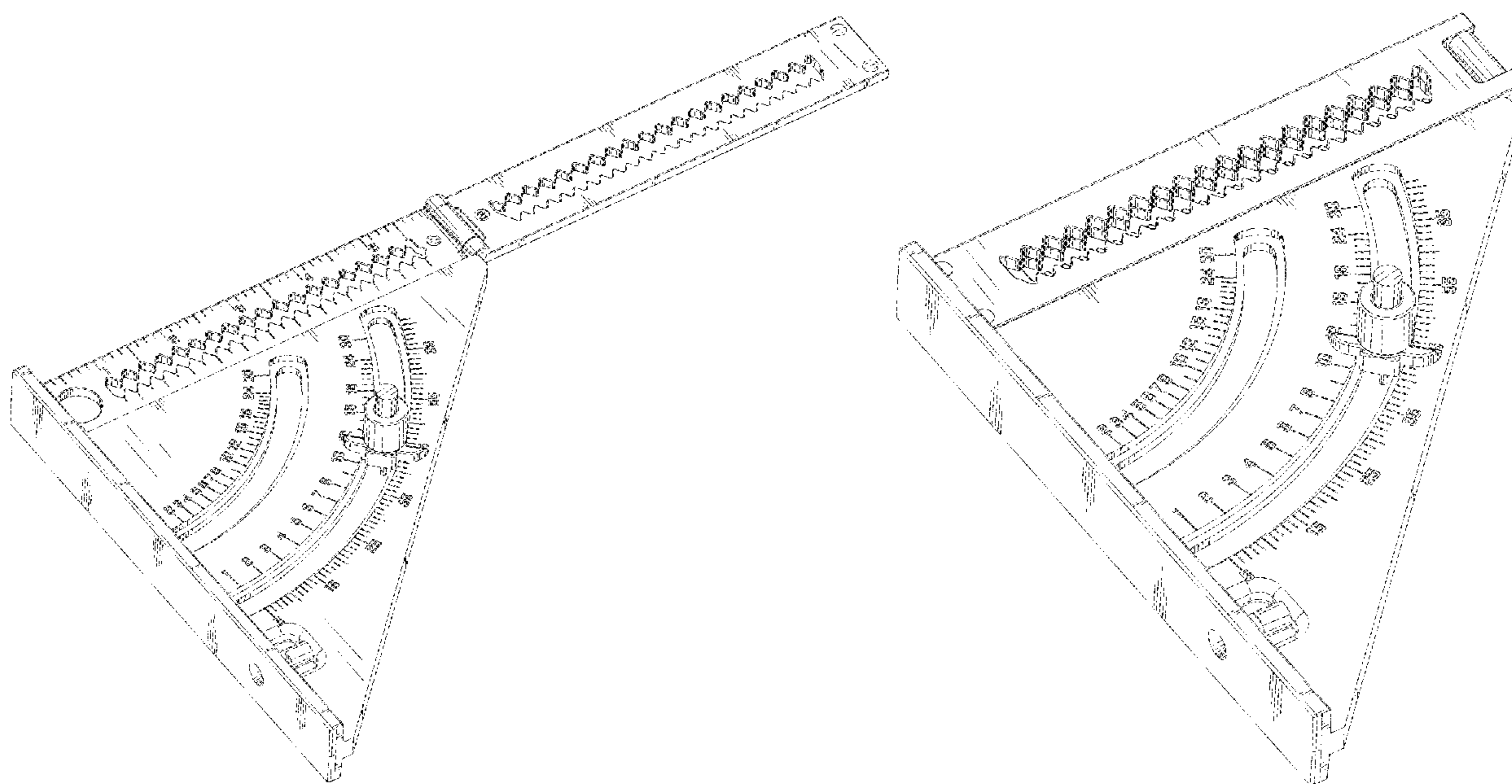
(58) **Field of Classification Search**

USPC D10/65

CPC B43L 7/10; B43L 7/12; B43L 7/125; B43L 7/14; B43L 7/0275; G01B 3/566

See application file for complete search history.

1 Claim, 14 Drawing Sheets



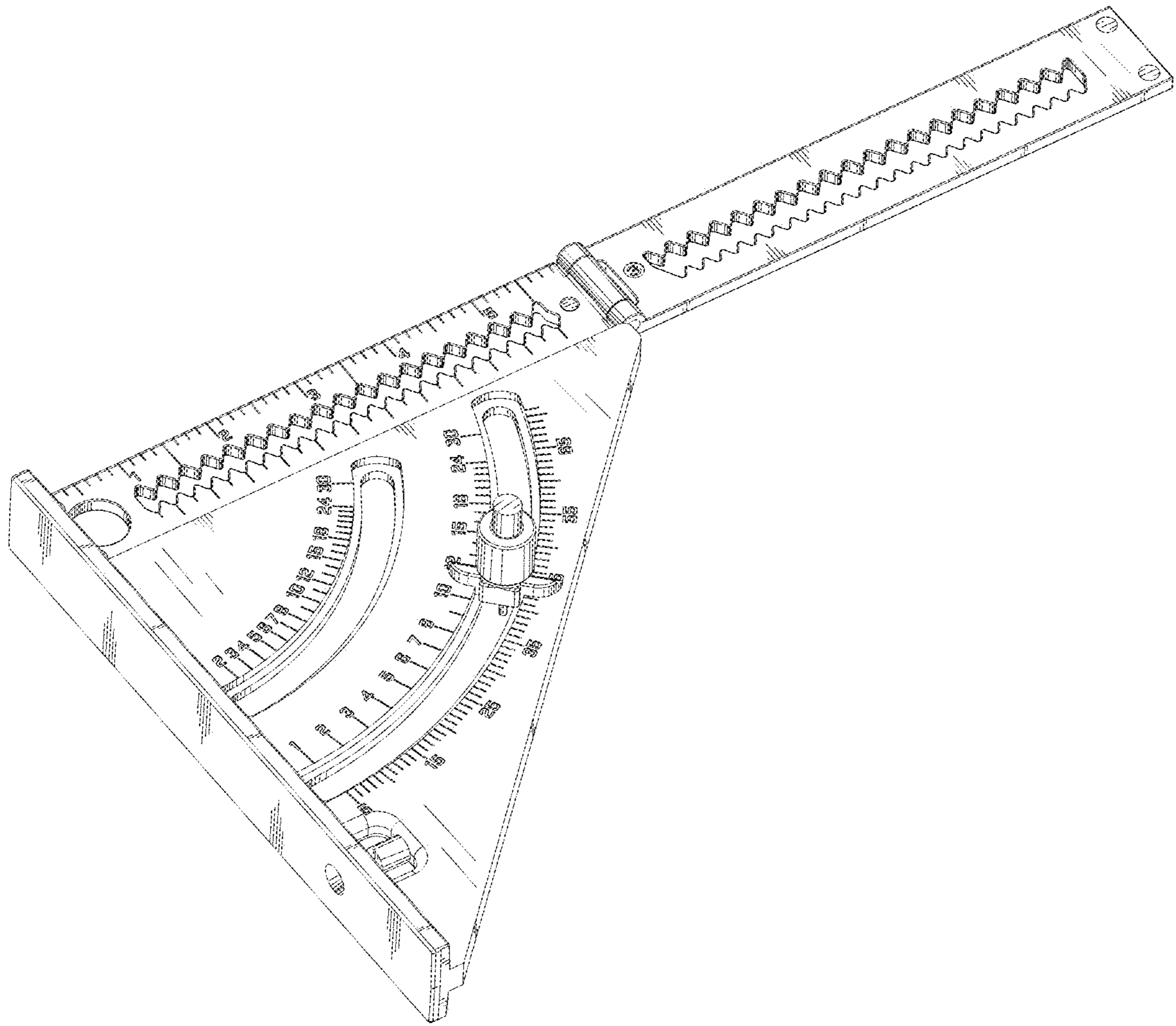


FIG. 1

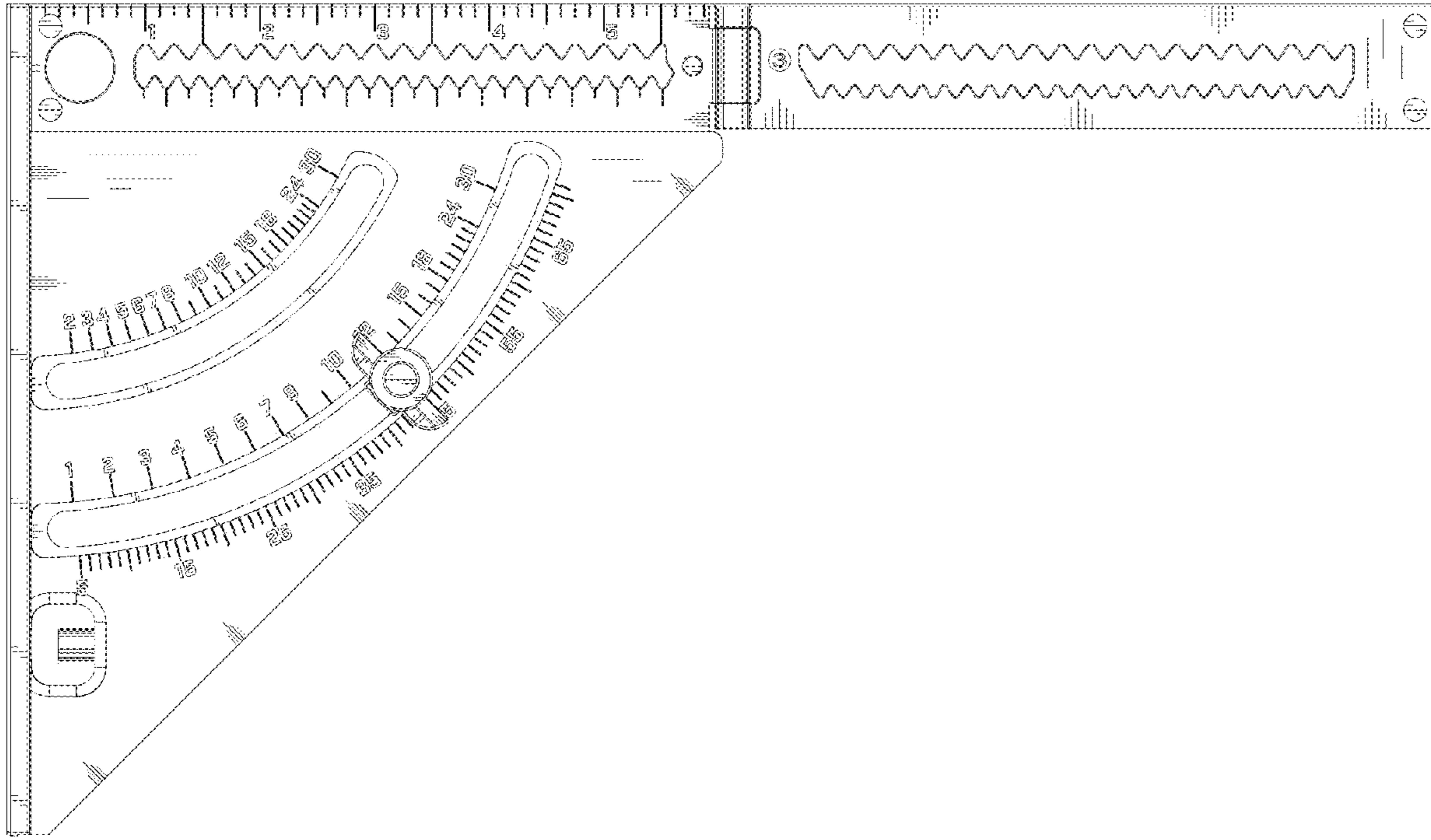


FIG. 2

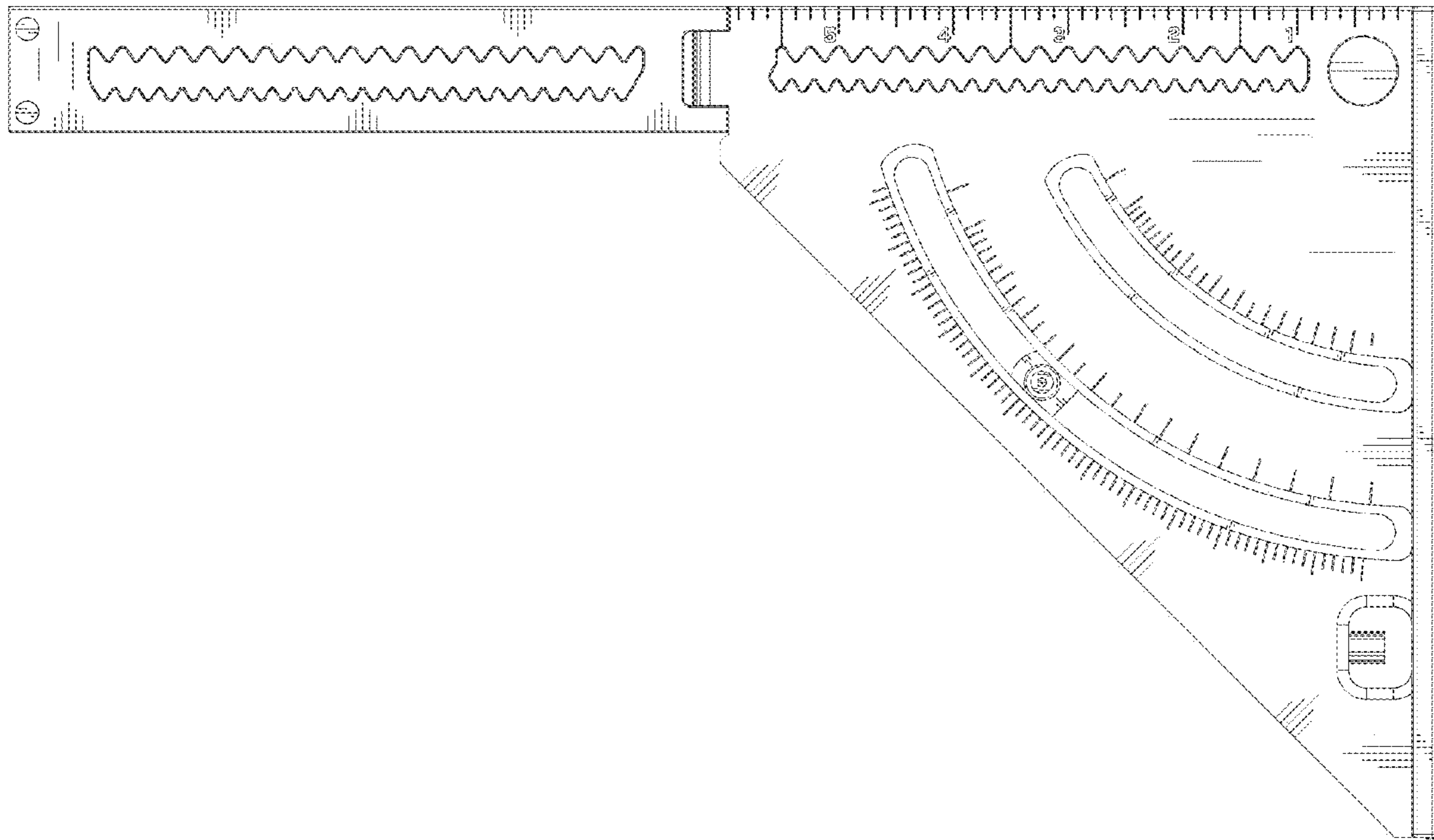


FIG. 3

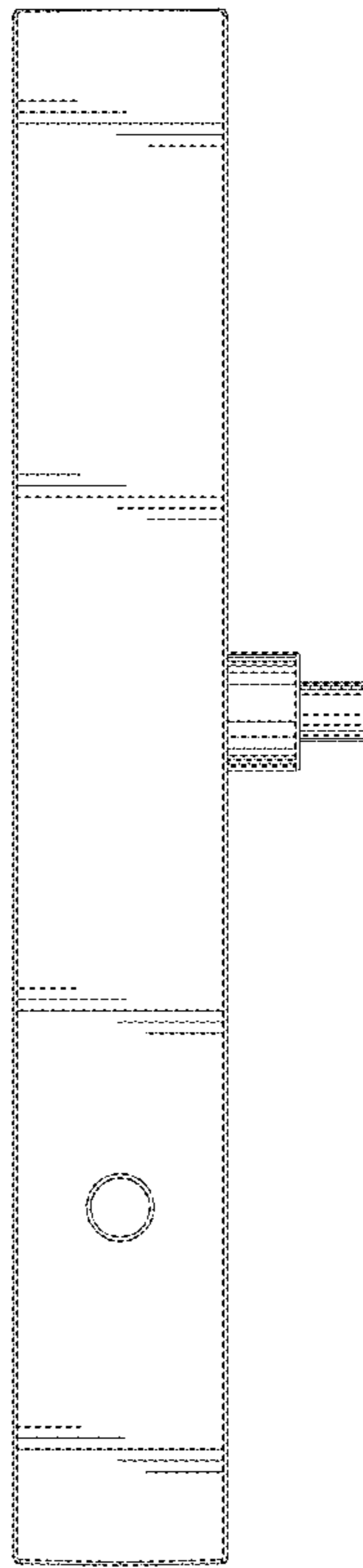


FIG. 4

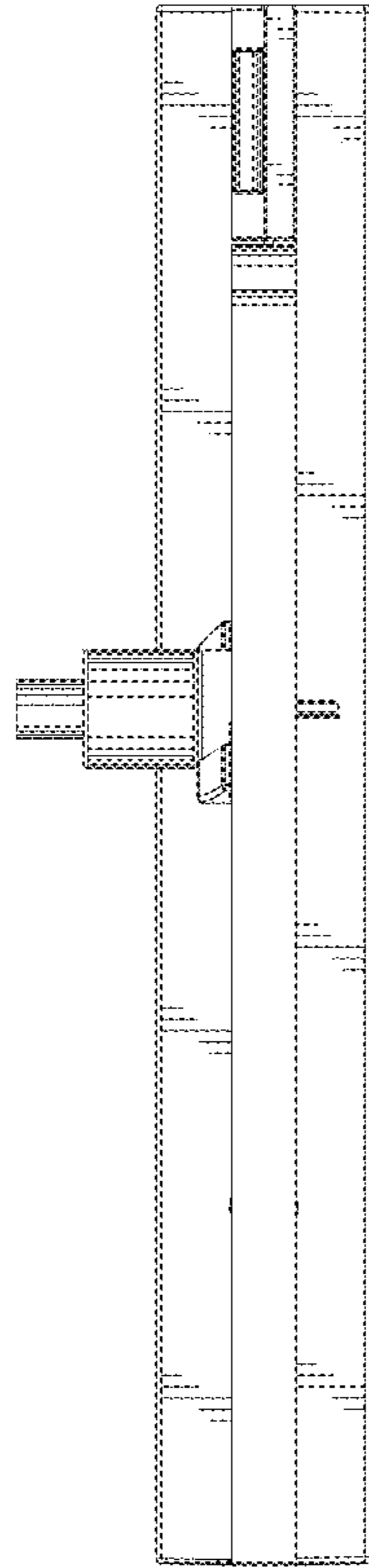


FIG. 5

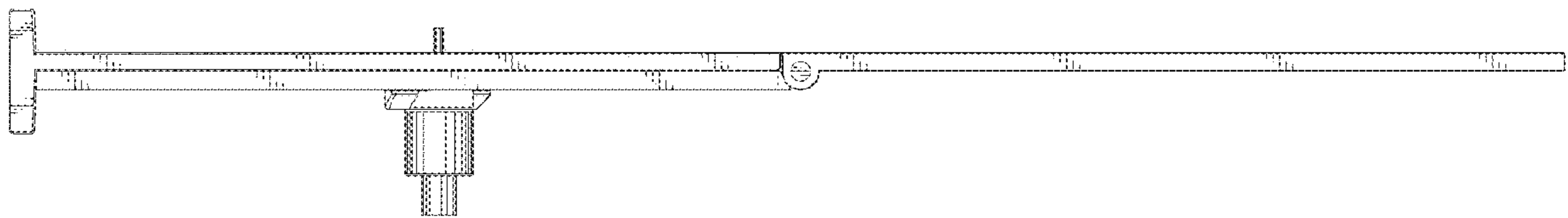


FIG. 6

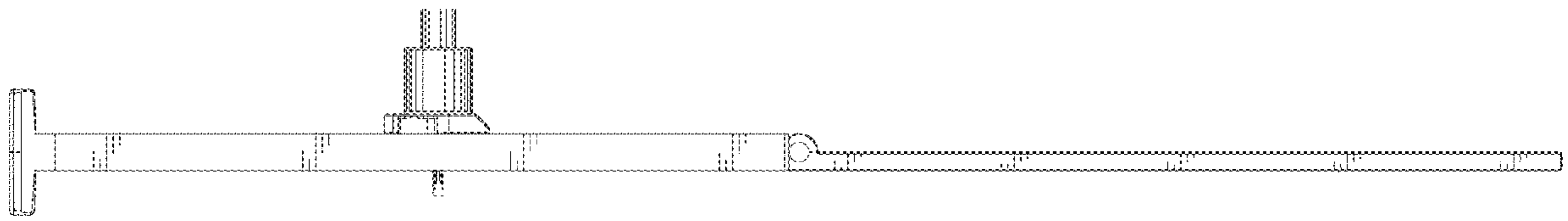


FIG. 7

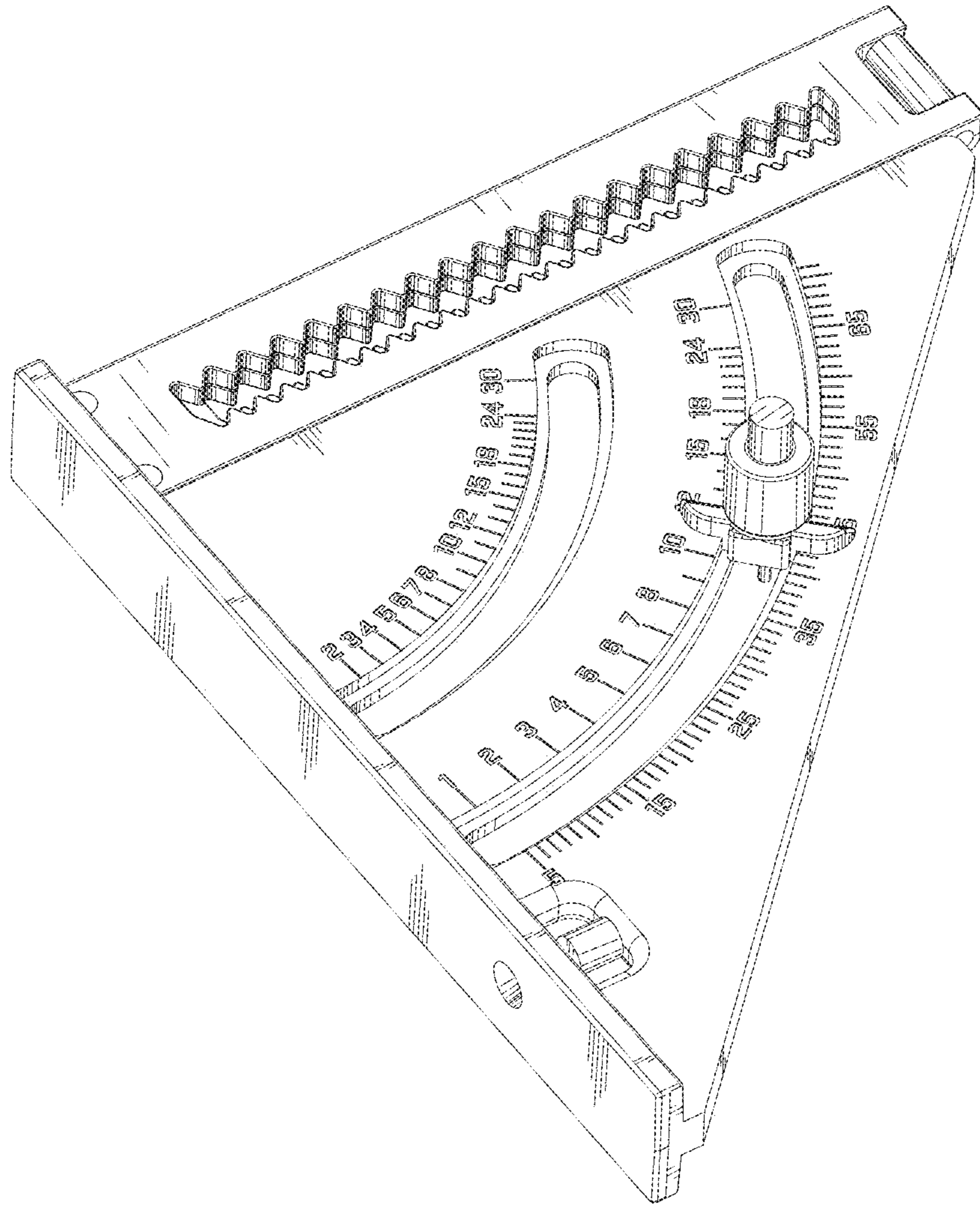


FIG. 8

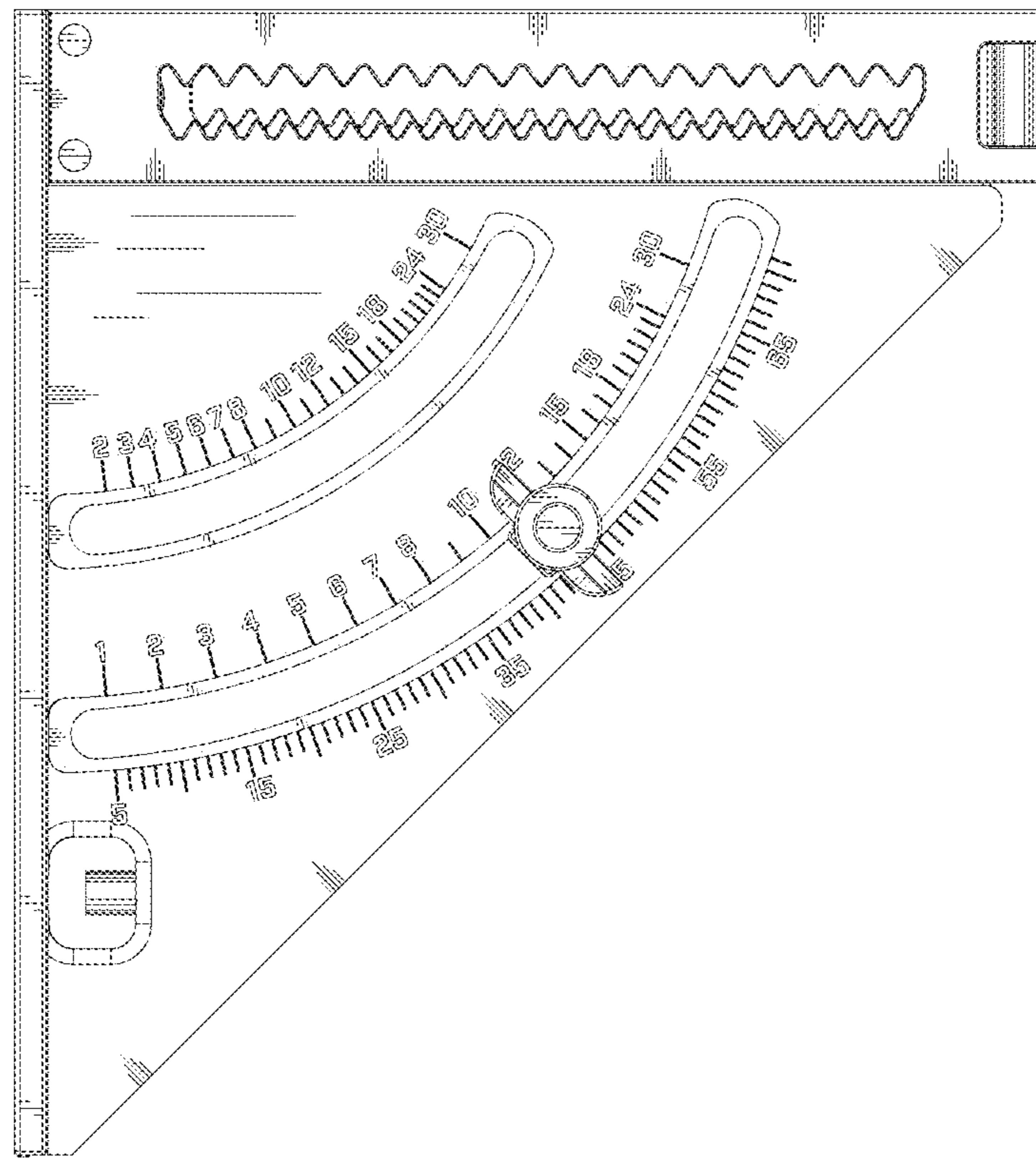


FIG. 9

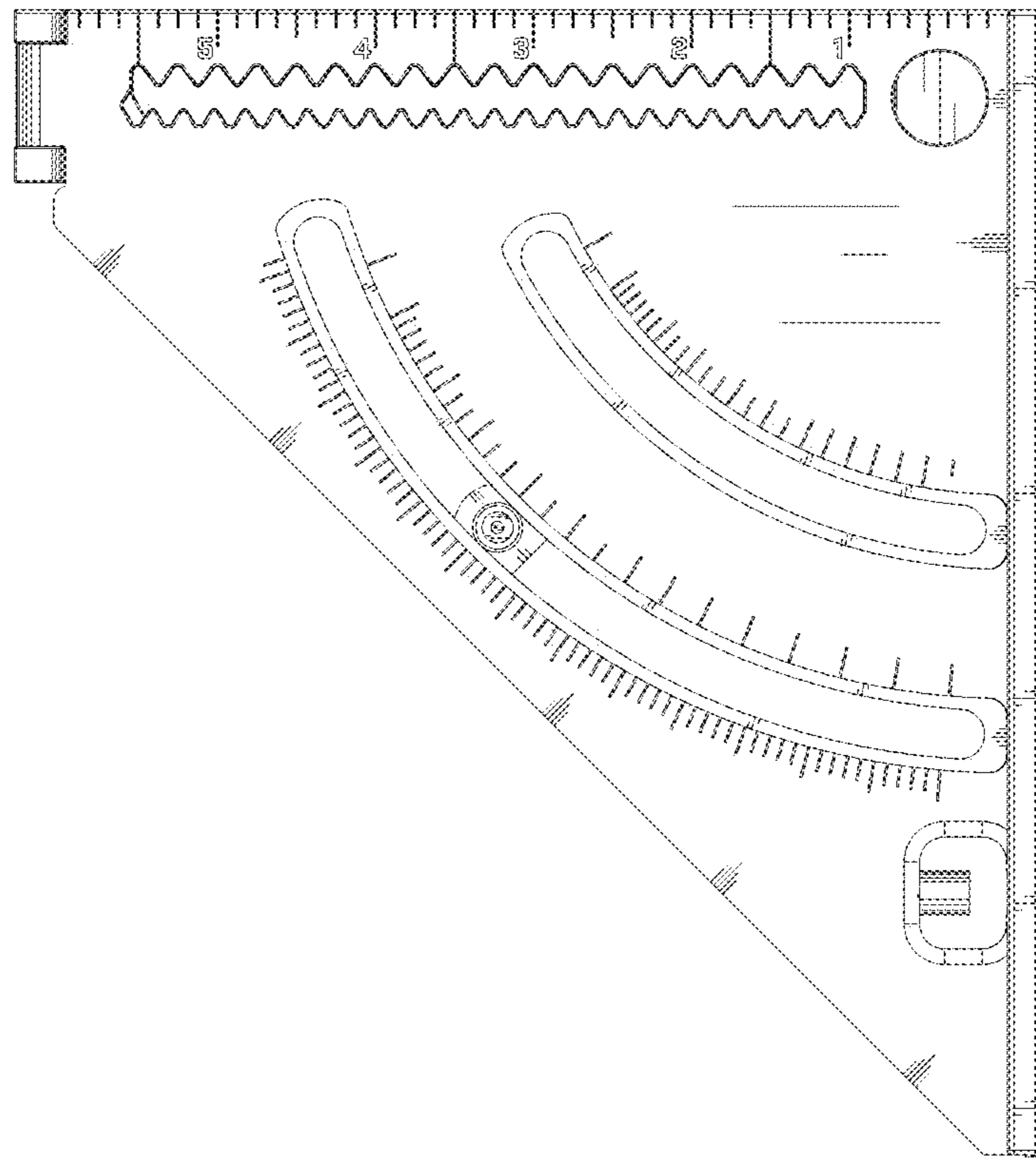


FIG. 10

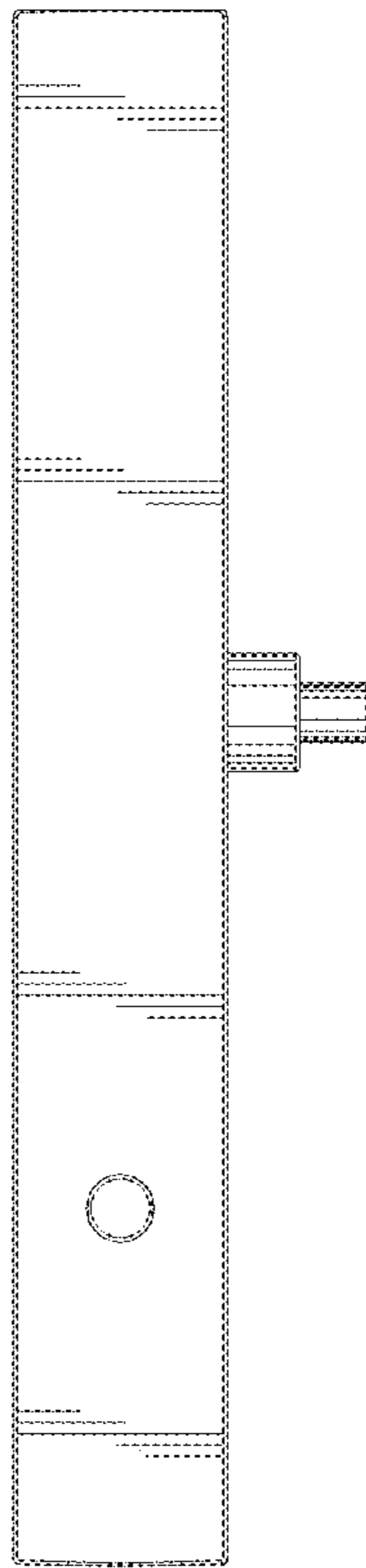


FIG. 11

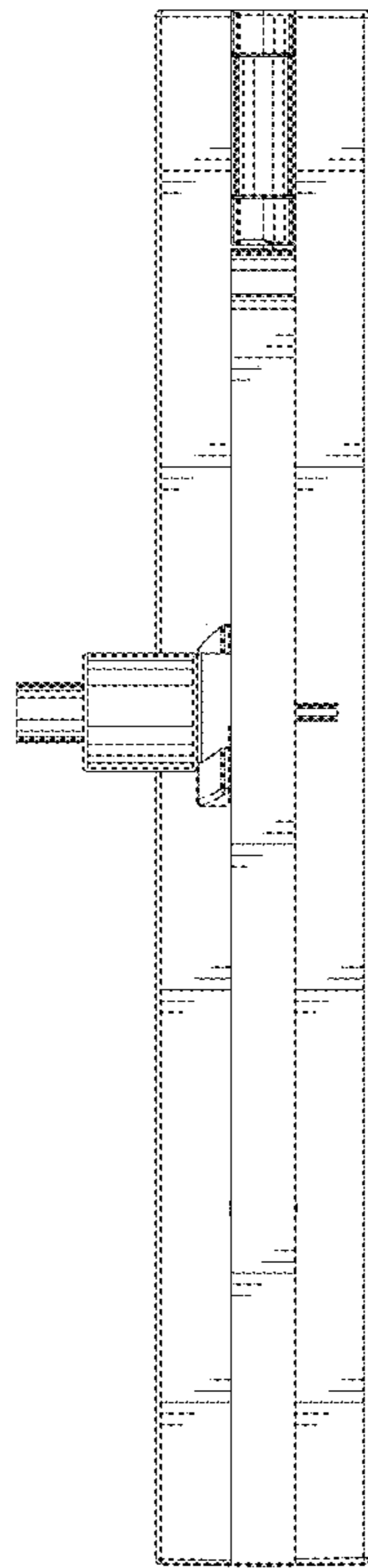


FIG. 12

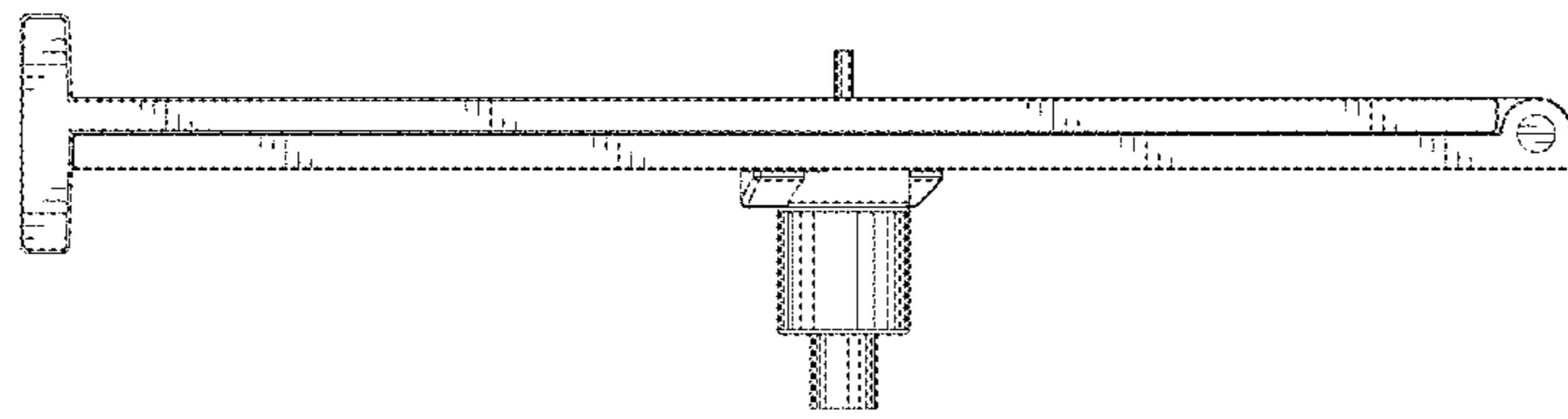


FIG. 13

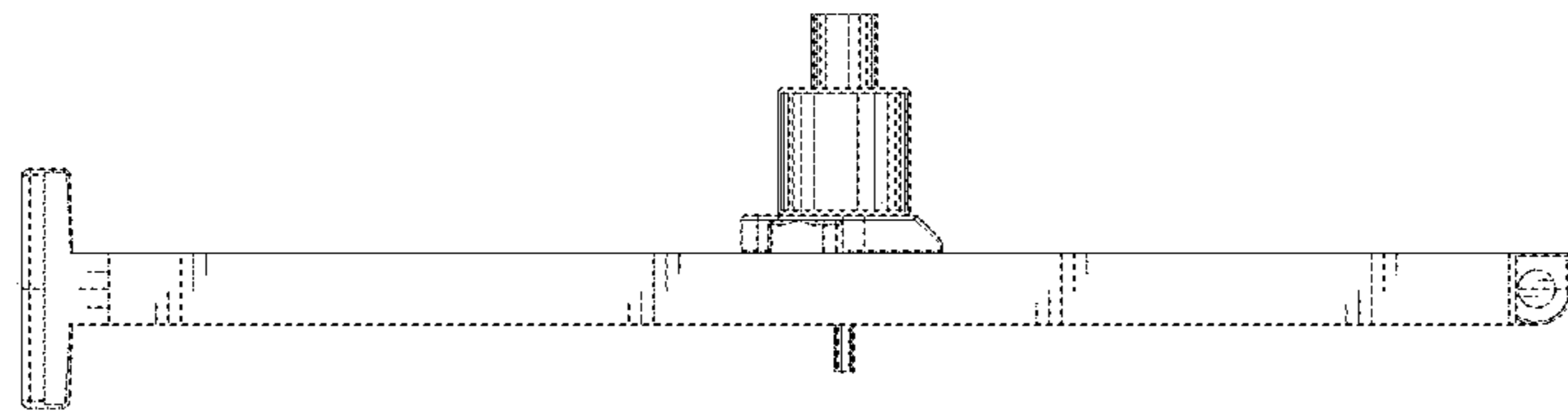


FIG. 14