



US00D945286S

(12) **United States Design Patent** (10) **Patent No.:** **US D945,286 S**  
**Xia** (45) **Date of Patent:** **\*\* Mar. 8, 2022**

(54) **SQUARE**

(71) Applicant: **HaoDe Technology Co., Ltd.**, Jinhua (CN)

(72) Inventor: **Xinqian Xia**, Jinhua (CN)

(73) Assignee: **Haode Technology Co., Ltd.**, Jinhua (CN)

(\*\*) Term: **15 Years**

(21) Appl. No.: **29/652,577**

(22) Filed: **Sep. 24, 2020**

(30) **Foreign Application Priority Data**

Mar. 25, 2020 (CN) ..... 202030106170.4

(51) **LOC (13) Cl.** ..... **10-04**

(52) **U.S. Cl.**  
USPC ..... **D10/65**

(58) **Field of Classification Search**  
USPC ..... D10/65  
CPC .... B43L 7/10; B43L 7/12; B43L 7/125; B43L 7/14; B43L 7/0275; G01B 3/566

See application file for complete search history.

(56) **References Cited**

U.S. PATENT DOCUMENTS

D358,104 S \* 5/1995 Munkel ..... D10/65

\* cited by examiner

*Primary Examiner* — Antoine Duval Davis

(74) *Attorney, Agent, or Firm* — Wang Law Firm, Inc.

(57) **CLAIM**

The ornamental design for a square, as shown and described.

**DESCRIPTION**

FIG. 1 is a perspective view of a square showing my new design;

FIG. 2 is a front view thereof;

FIG. 3 is a rear view thereof;

FIG. 4 is a left view thereof;

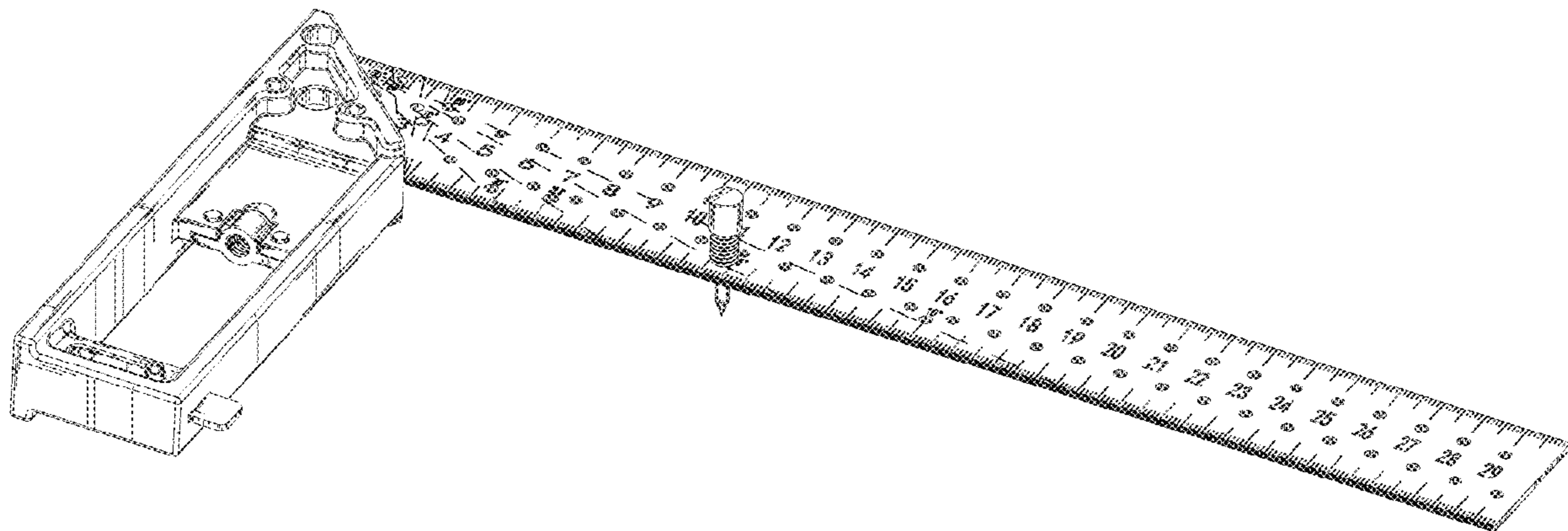
FIG. 5 is a right view thereof;

FIG. 6 is a top view thereof; and,

FIG. 7 is a bottom view thereof.

The broken line showing of structural features subject matter is included for the purpose of illustrating non-claimed subject matter and forms no part of the claimed design.

**1 Claim, 7 Drawing Sheets**



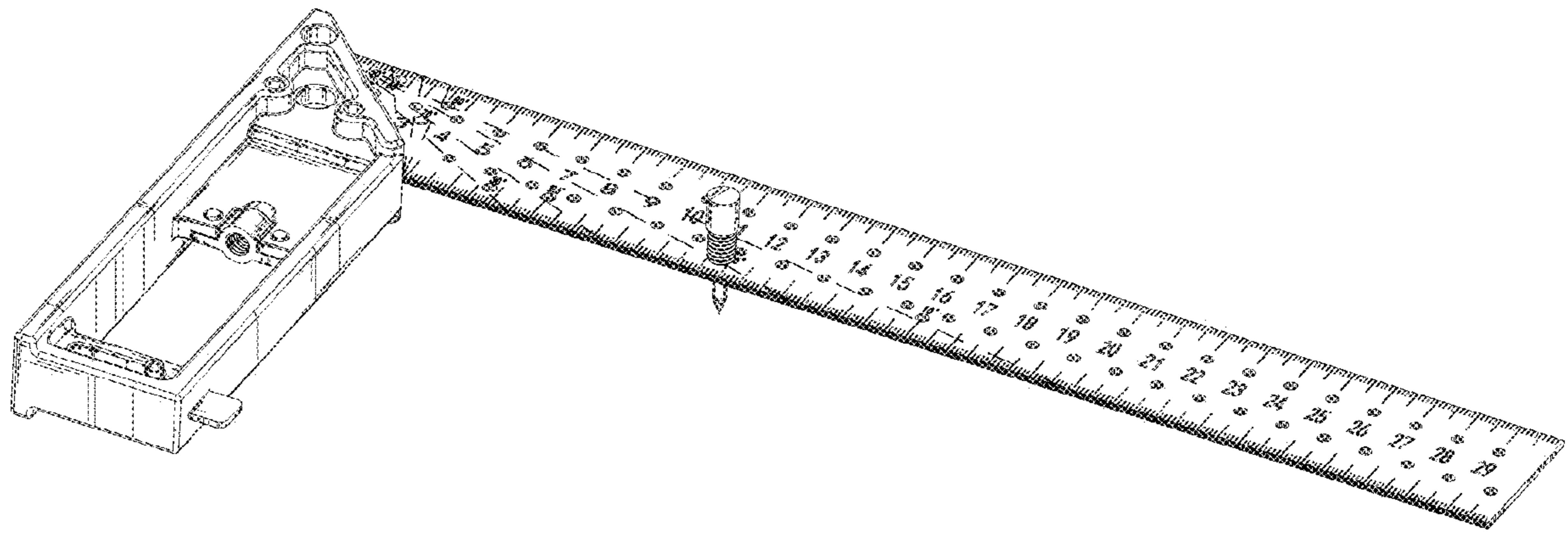


FIG. 1

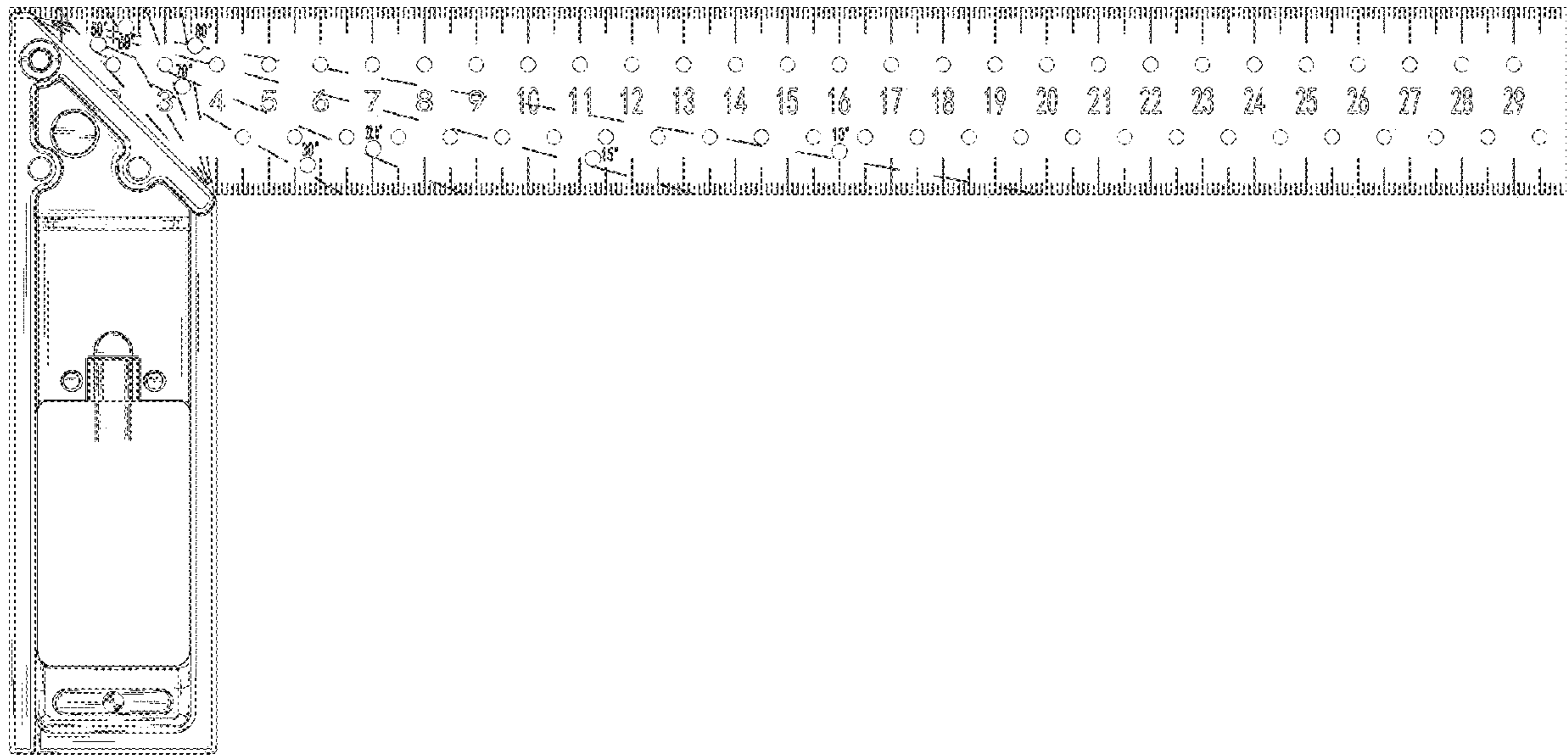


FIG. 2

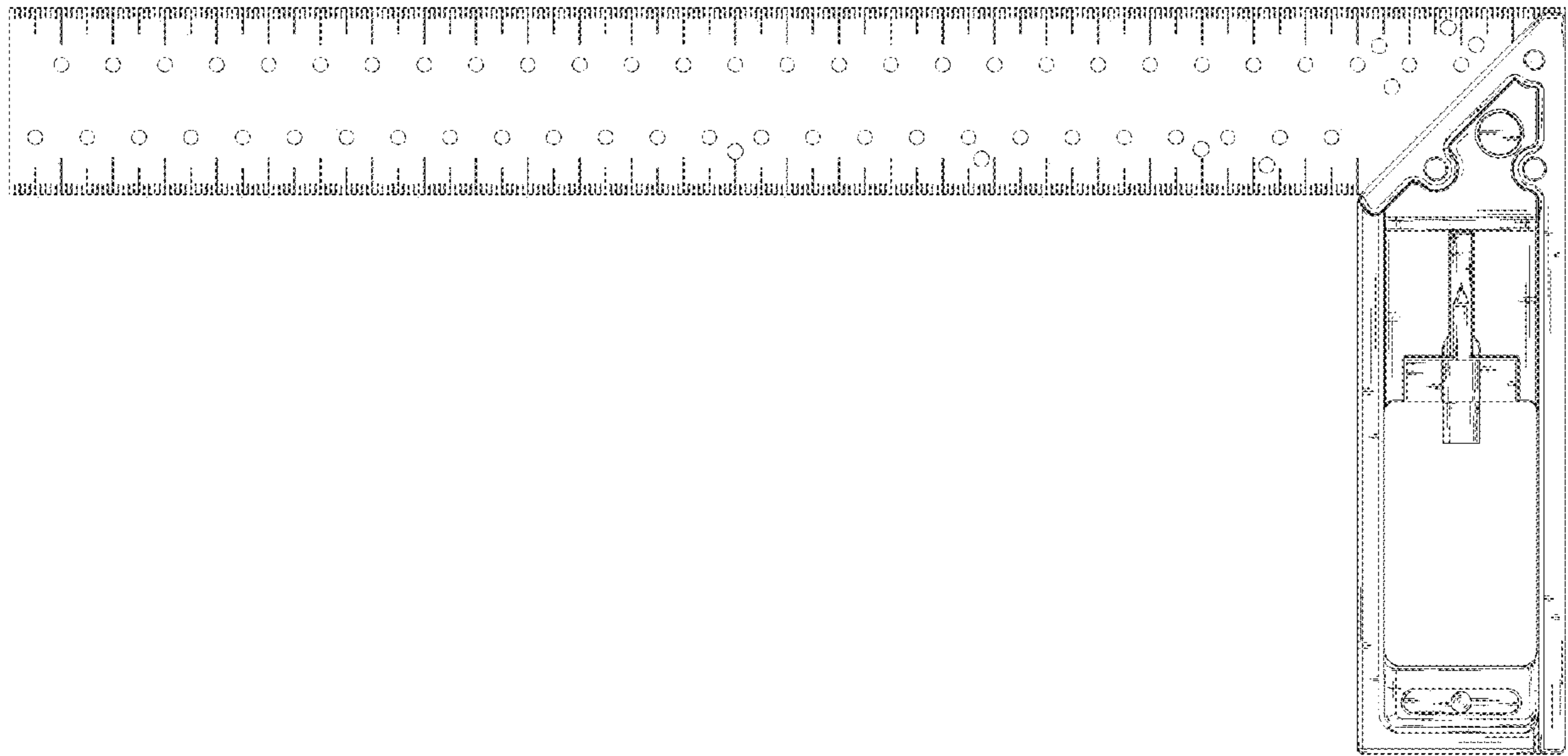


FIG.3

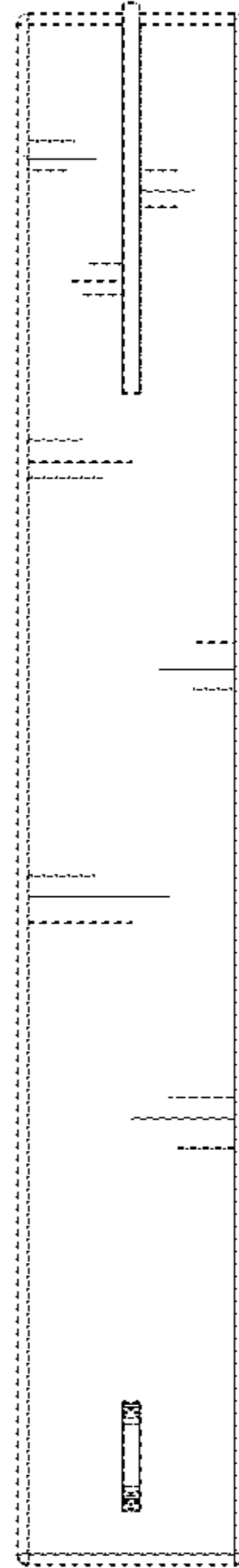


FIG.4

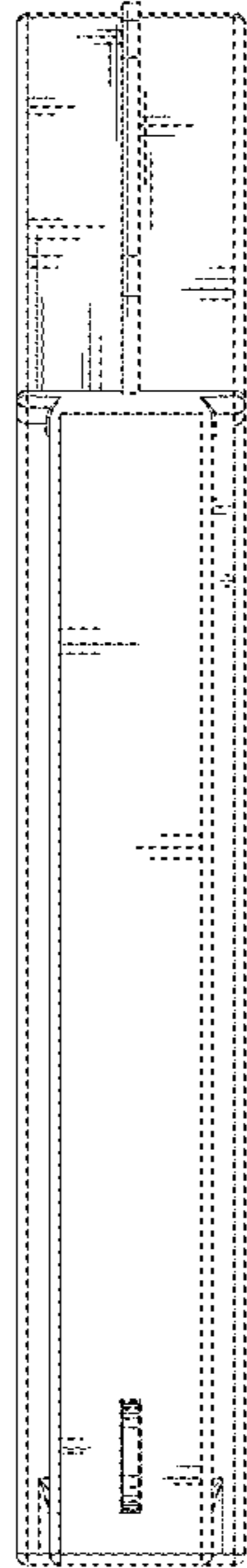


FIG.5



FIG.6

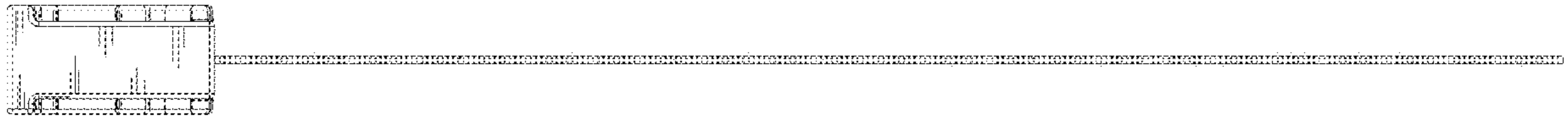


FIG.7