



US00D945285S

(12) **United States Design Patent**
Owen et al.

(10) **Patent No.:** **US D945,285 S**
(45) **Date of Patent:** **** Mar. 8, 2022**

(54) **THERMOMETER WITH PROBE AND PROBE COVER**

D858,320 S * 9/2019 Wang D10/57
D860,831 S * 9/2019 Zou D10/57
D884,498 S * 5/2020 Yi D10/57

(Continued)

(71) Applicant: **ThermoWorks Inc.**, American Fork, UT (US)

Primary Examiner — Antoine Duval Davis

(72) Inventors: **Randy Owen**, Alpine, UT (US); **Kevin Owen**, Saratoga Springs, UT (US)

(74) *Attorney, Agent, or Firm* — S. Brandon Owen

(**) Term: **15 Years**

(57) **CLAIM**

The ornamental design for thermometer with probe and probe cover, as shown and described.

(21) Appl. No.: **29/739,601**

DESCRIPTION

(22) Filed: **Jun. 26, 2020**

FIG. 1 shows a perspective view of the front side of the thermometer and probe.

(51) **LOC (13) Cl.** **10-04**

FIG. 2 shows a front view of the thermometer and probe.

(52) **U.S. Cl.**

FIG. 3 shows a back view of the thermometer and probe.

USPC **D10/57**

(58) **Field of Classification Search**

FIG. 4 shows a first side view of the thermometer and probe.

USPC D10/57, 60

FIG. 5 shows a second side view of the thermometer and probe.

CPC G01K 1/02; G01K 1/022; G01K 1/024;

FIG. 6 shows a bottom view of the thermometer.

G01K 1/08; G01K 1/083; G01K 1/086;

FIG. 7 shows a top view of the thermometer.

G01K 3/00-3/14; G01K 2003/145; G01K

FIG. 8 shows a perspective view of the thermometer and probe cover.

13/002; G01K 13/004; G01K 2219/00;

FIG. 9 shows a front view of the thermometer and probe cover.

G01K 5/04-5/225; G01K 5/22; G01K

FIG. 10 shows a back view of the thermometer and probe cover.

221/00; G01K 1/20; G01K 3/005; G01K

FIG. 11 shows a first side view of the thermometer and probe cover.

3/06; G01K 13/04; G01J 5/04; G01J

FIG. 12 shows a second side view of the thermometer and probe cover.

5/041; G01J 5/042; G01J 5/043; G01J

FIG. 13 shows a bottom view of the thermometer and probe cover; and,

5/044; G01J 5/045; G01J 5/046; G01J

FIG. 14 shows a top view of the thermometer and probe cover.

5/047; G01J 5/048; G01J 5/049; G01J

The article is shown with a symbolic break in its length. The appearance of any portion of the article between the break lines forms no part of the claimed design.

5/0265

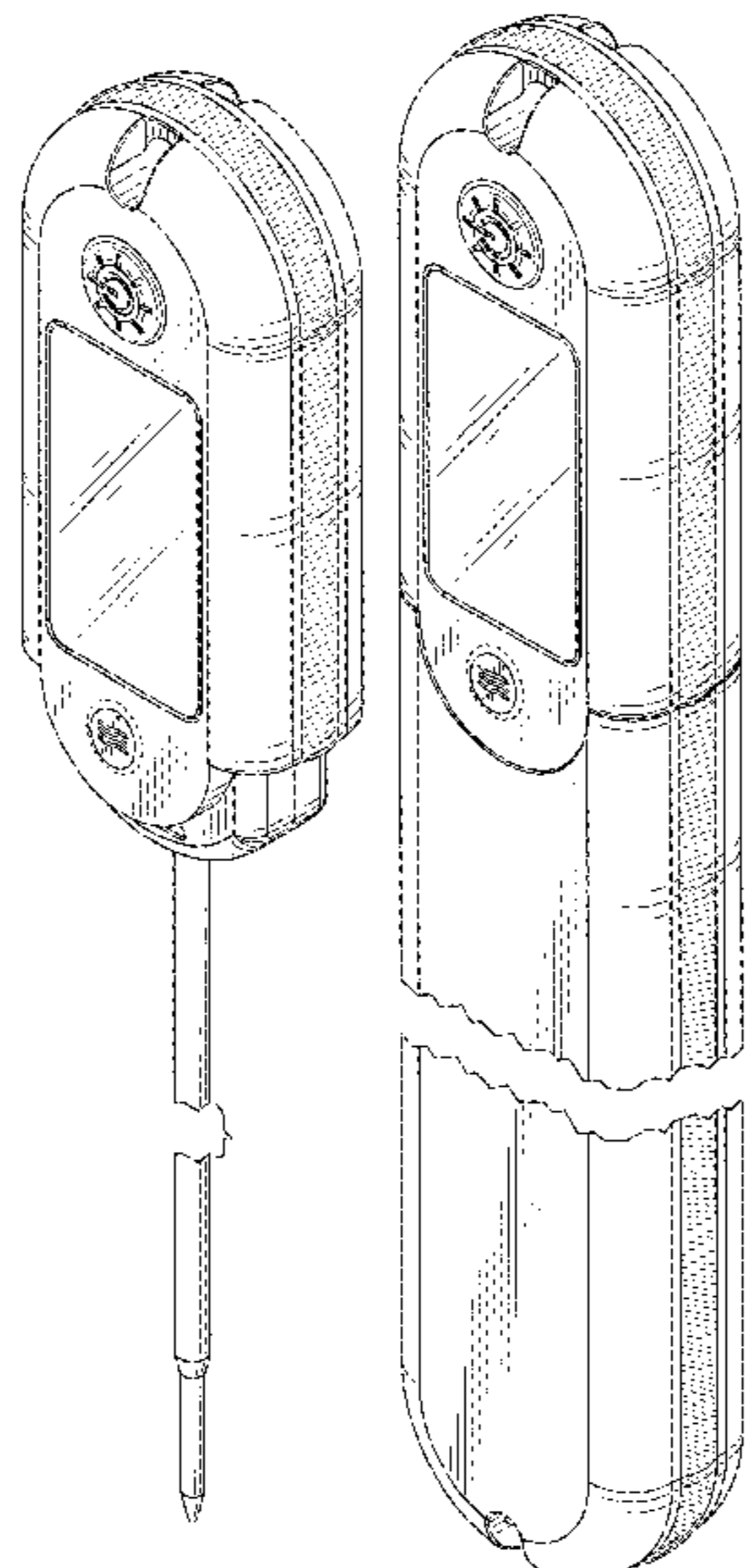
See application file for complete search history.

(56) **References Cited**

U.S. PATENT DOCUMENTS

D664,051 S *	7/2012	High	D10/57
D664,052 S *	7/2012	High	D10/57
D795,101 S *	8/2017	Alla	D10/57
D804,332 S *	12/2017	Lim	D10/57
D852,653 S *	7/2019	Zou	D10/57
D852,654 S *	7/2019	Zou	D10/57
D853,253 S *	7/2019	Zuo	D10/57

1 Claim, 6 Drawing Sheets



(56)

References Cited

U.S. PATENT DOCUMENTS

D904,907 S * 12/2020 Peng D10/57
D917,314 S * 4/2021 Wu D10/57

* cited by examiner

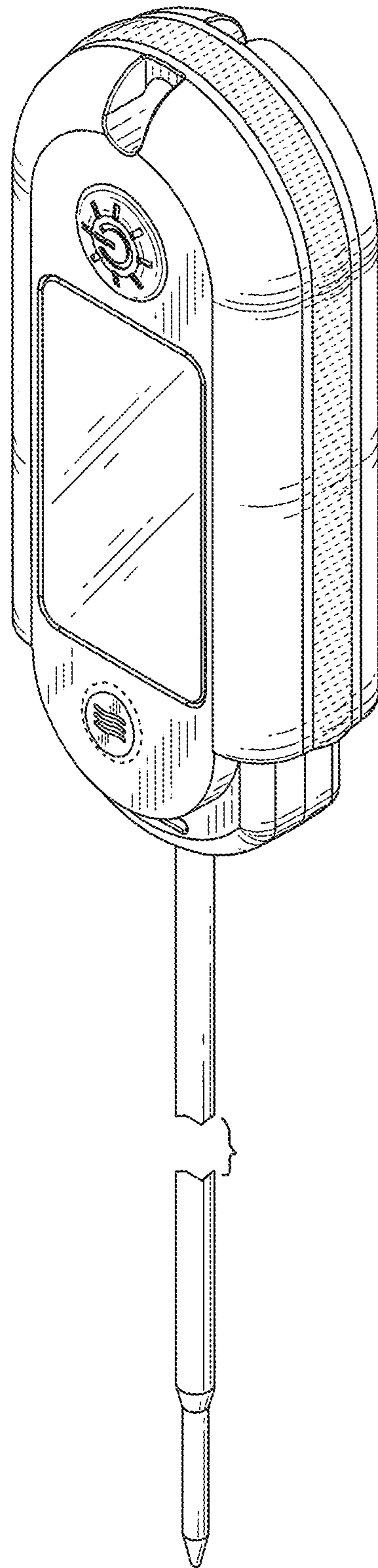


FIG. 1

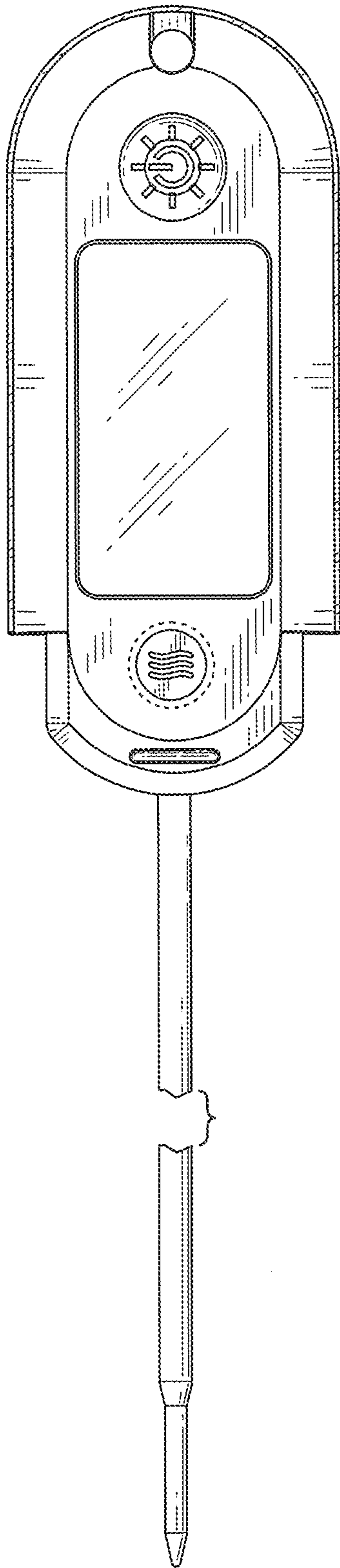


FIG. 2

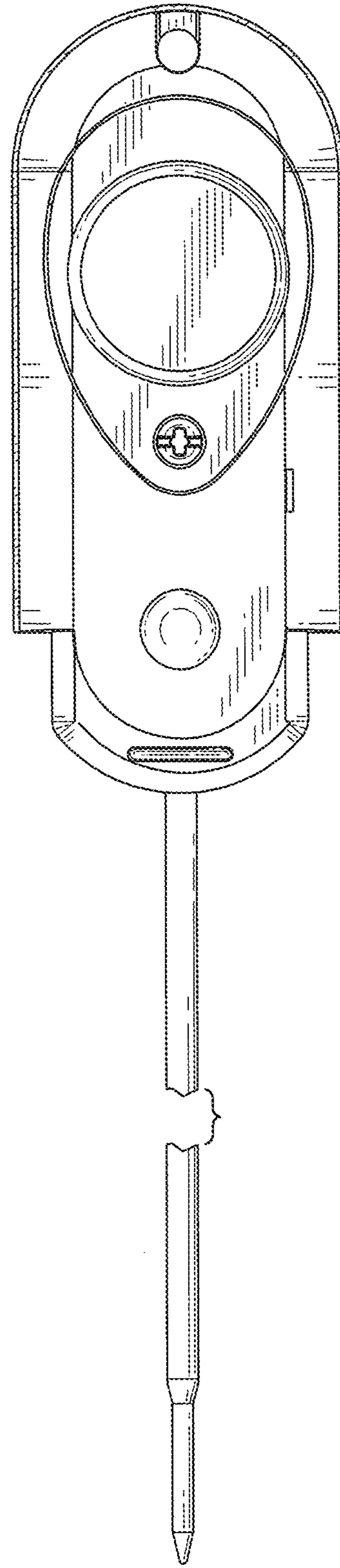


FIG. 3

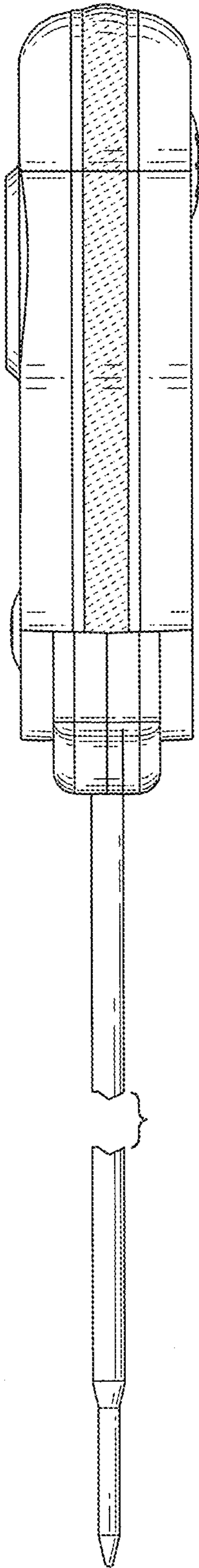


FIG. 4

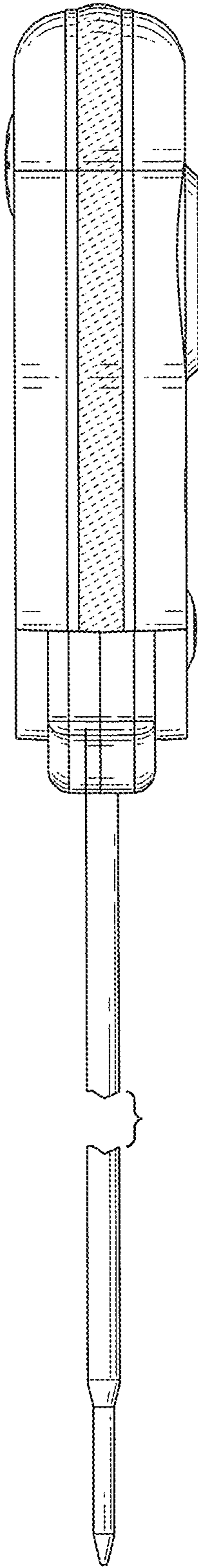


FIG. 5

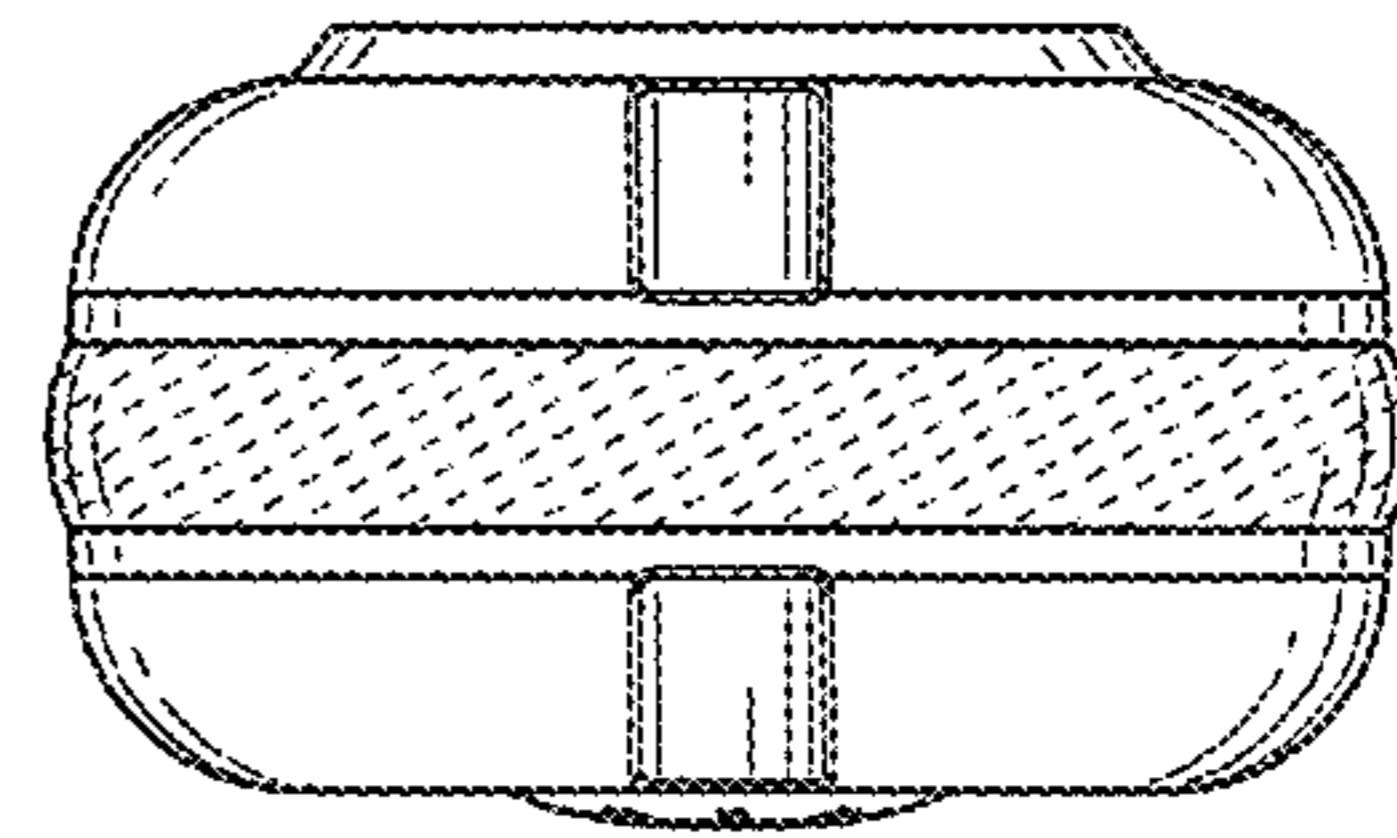


FIG. 6

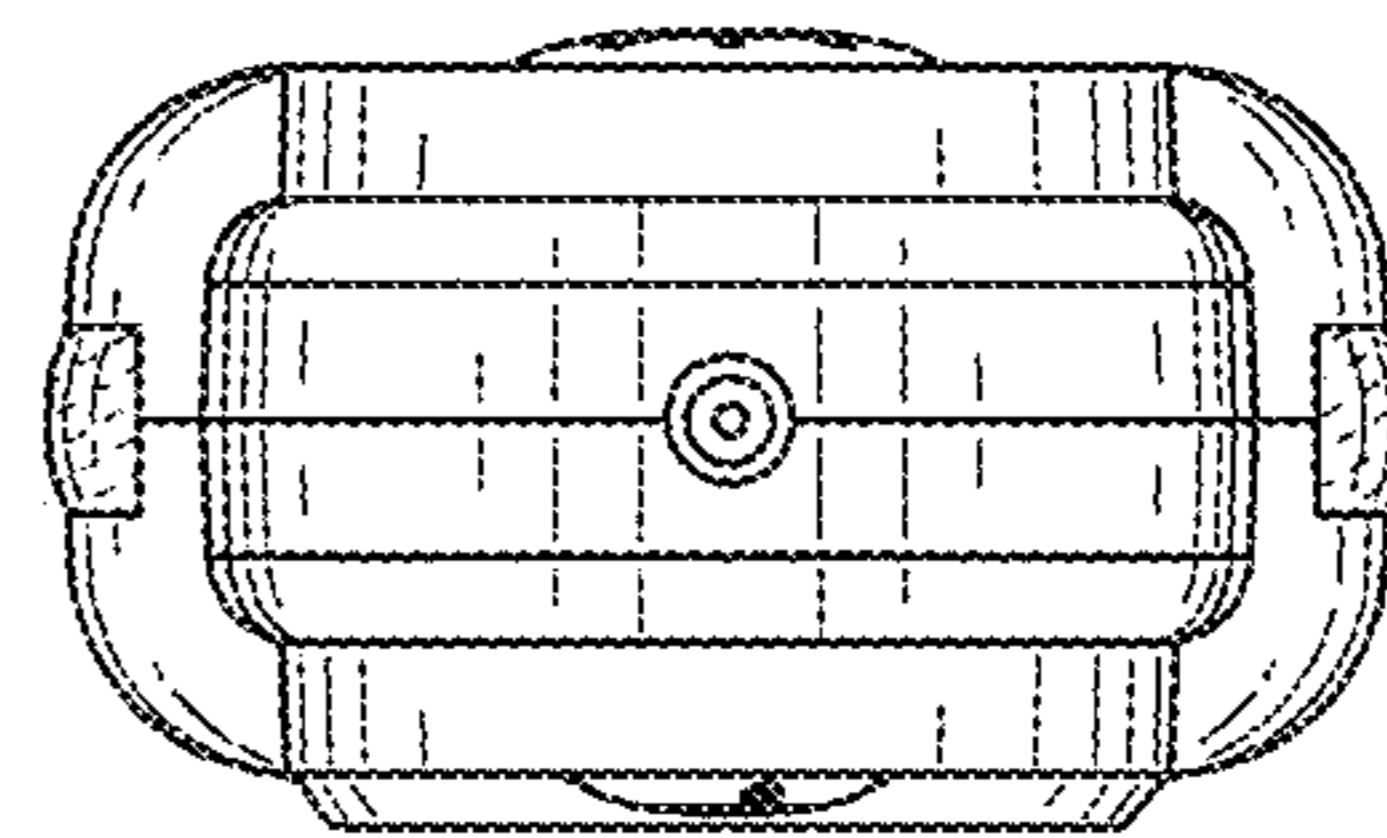


FIG. 7

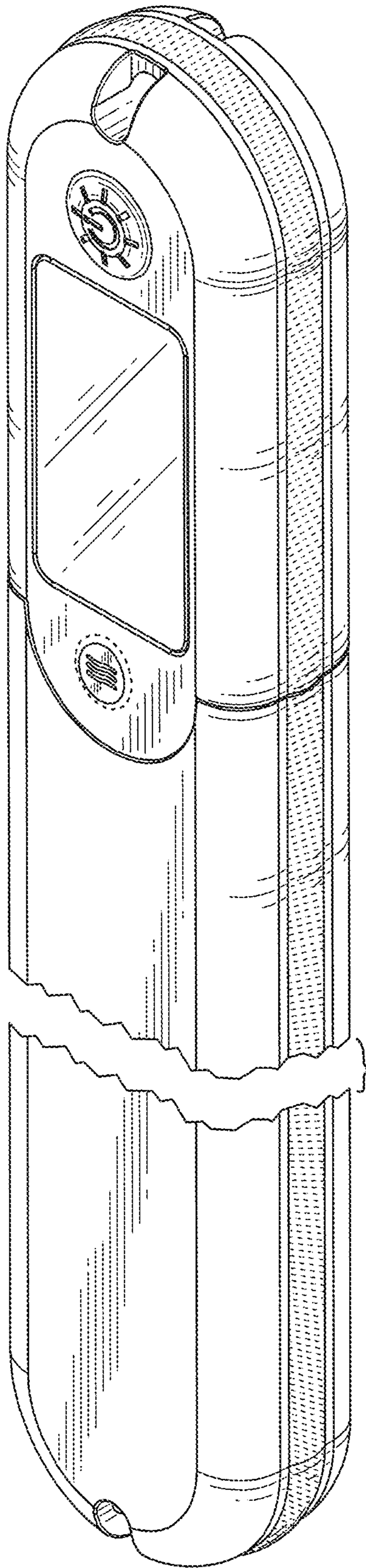


FIG. 8

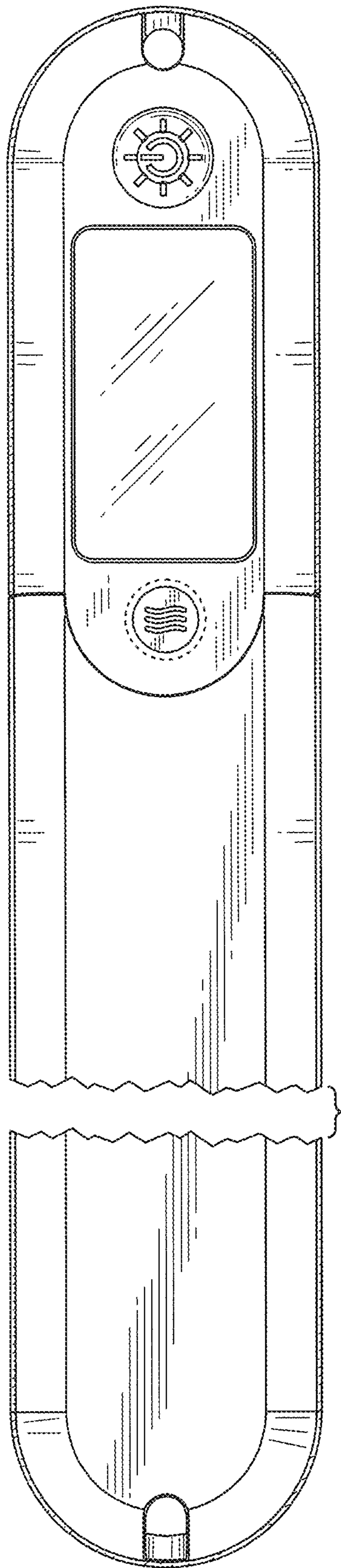


FIG. 9

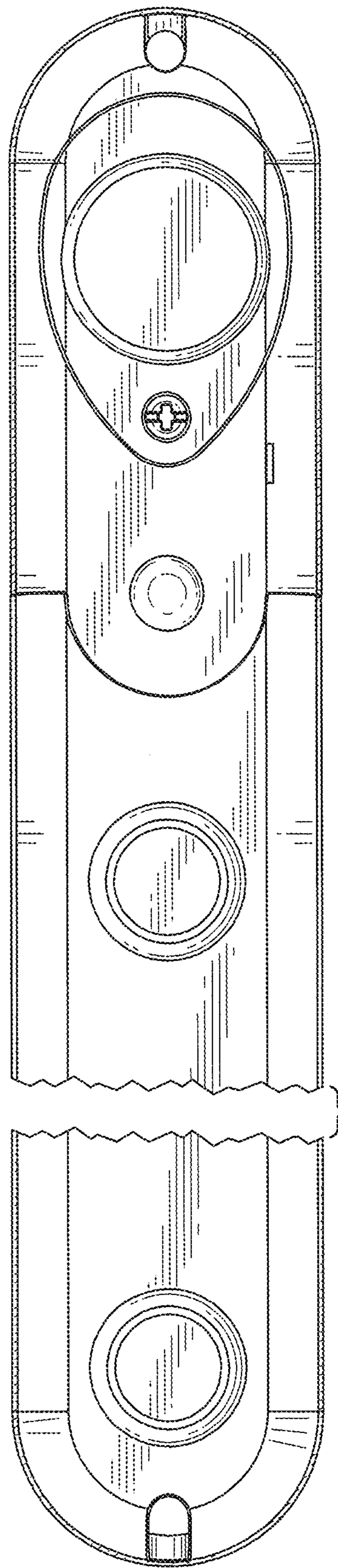


FIG. 10

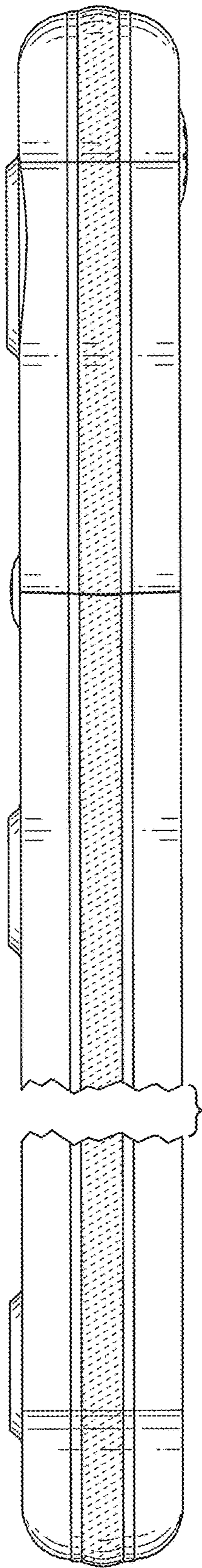


FIG. 11

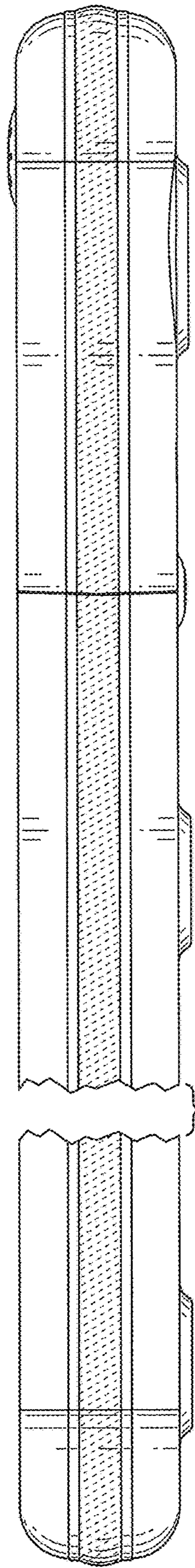


FIG. 12

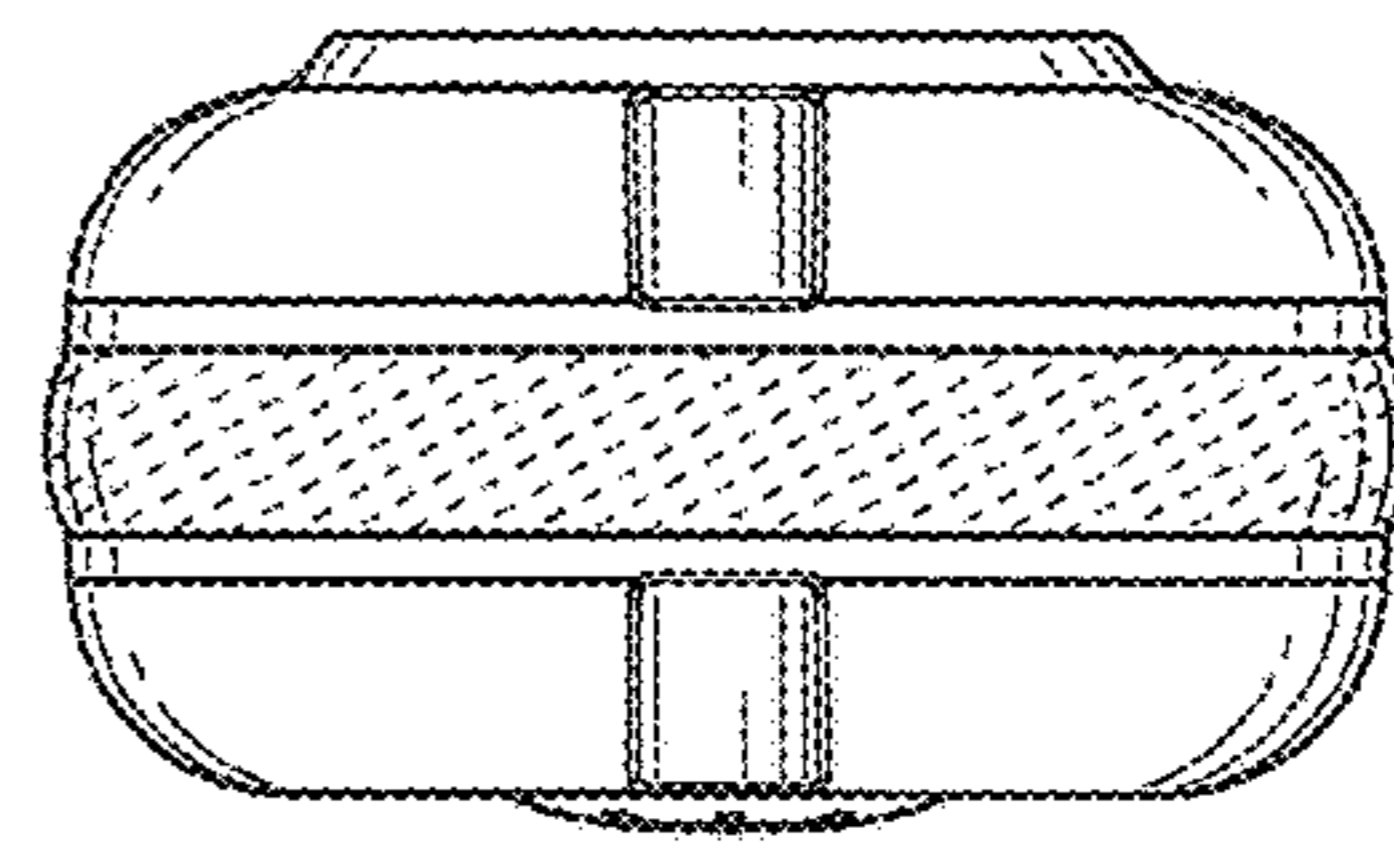


FIG. 13

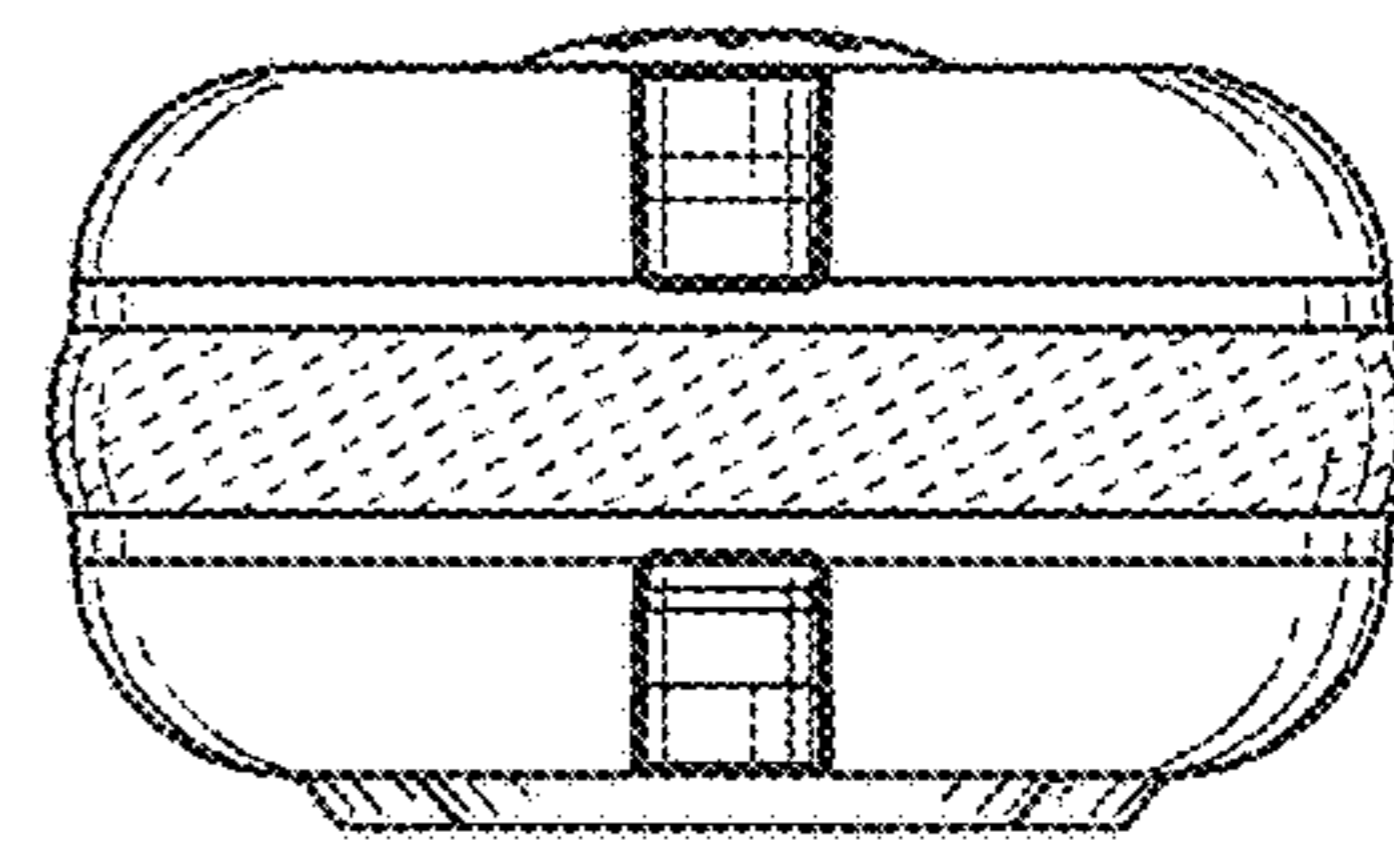


FIG. 14