



US00D945284S

(12) **United States Design Patent**
Owen et al.

(10) **Patent No.:** **US D945,284 S**
(45) **Date of Patent:** **** Mar. 8, 2022**

(54) **KEYCHAIN-SIZED THERMOMETER**

G01J 5/046; G01J 5/047; G01J 5/048;
G01J 5/049; G01J 5/0265

(71) Applicant: **ThermoWorks Inc.**, American Fork,
UT (US)

See application file for complete search history.

(72) Inventors: **Randy Owen**, Alpine, UT (US); **Kevin Owen**, Saratoga Springs, UT (US)

(56) **References Cited**

U.S. PATENT DOCUMENTS

(**) Term: **15 Years**

6,582,097 B2 * 6/2003 Chang A44B 15/005
362/196

(21) Appl. No.: **29/735,353**

6,776,503 B1 * 8/2004 Chang F21V 33/0004
362/116

(22) Filed: **May 20, 2020**

D866,358 S * 11/2019 Lien D10/57

(51) **LOC (13) Cl.** **10-04**

* cited by examiner

(52) **U.S. Cl.**
USPC **D10/57**

Primary Examiner — Antoine Duval Davis

(74) *Attorney, Agent, or Firm* — S. Brandon Owen

(58) **Field of Classification Search**
USPC D10/57

(57) **CLAIM**

The ornamental design for the keychain-sized thermometer,
as shown and described.

CPC A61N 1/0472; A61N 1/0476; A61N 1/048;
A61N 1/0484; A61N 1/0488; A61N
1/0492; A61N 1/0496; A61N 1/37; A61N
1/3702; A61N 1/3704; A61N 1/3706;
A61N 1/3708; A61N 1/371; A61N
1/3712; A61N 1/3714; A61N 1/3716;
A61N 1/3718; A61N 1/375; A61N
1/3752; A61N 1/3754; A61N 1/3756;
A61N 1/3758; G01R 1/22; G01R 1/24;
G01R 1/26; H01F 38/30; Y10T 29/532;
Y10T 29/53222; G01K 1/02; G01K
1/022; G01K 1/024; G01K 1/08; G01K
1/083; G01K 1/086; G01K 3/00-3/14;
G01K 2003/145; G01K 13/002; G01K
13/004; G01K 2219/00; G01K
5/04-5/225; G01K 5/22; G01K 221/00;
G01J 5/04; G01J 5/041; G01J 5/042;
G01J 5/043; G01J 5/044; G01J 5/045;

DESCRIPTION

FIG. 1 shows a perspective view of the front side of the
thermometer.

FIG. 2 shows a front view of the thermometer.

FIG. 3 shows a back view of the thermometer.

FIG. 4 shows a left side view of the thermometer.

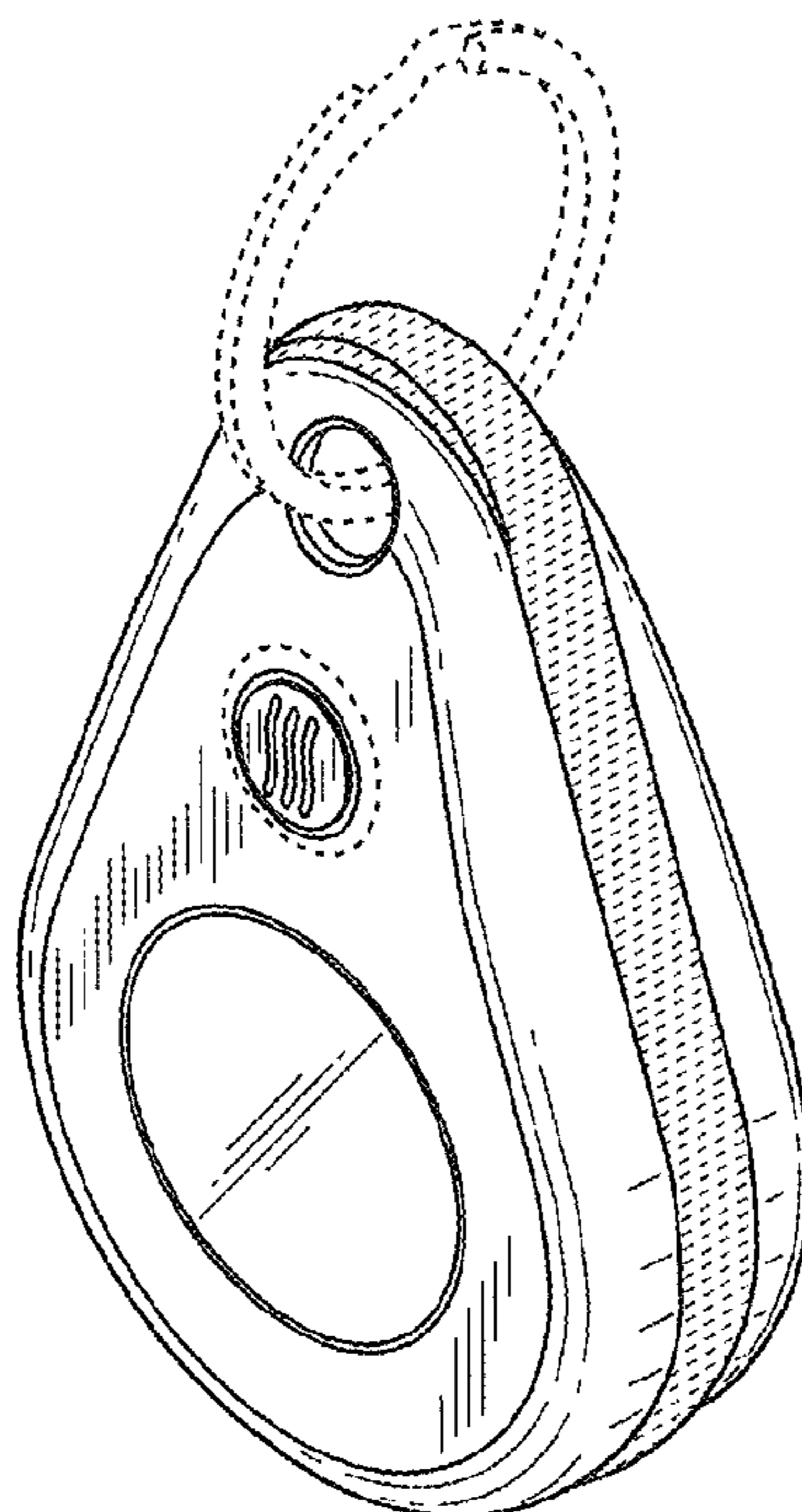
FIG. 5 shows a right side view of the thermometer.

FIG. 6 shows a top view of the thermometer; and,

FIG. 7 shows a bottom view of the thermometer.

The broken line showing of a keychain ring is included for
the purpose of illustrating NON-CLAIMED SUBJECT
MATTER and forms no part of the claimed design.

1 Claim, 3 Drawing Sheets



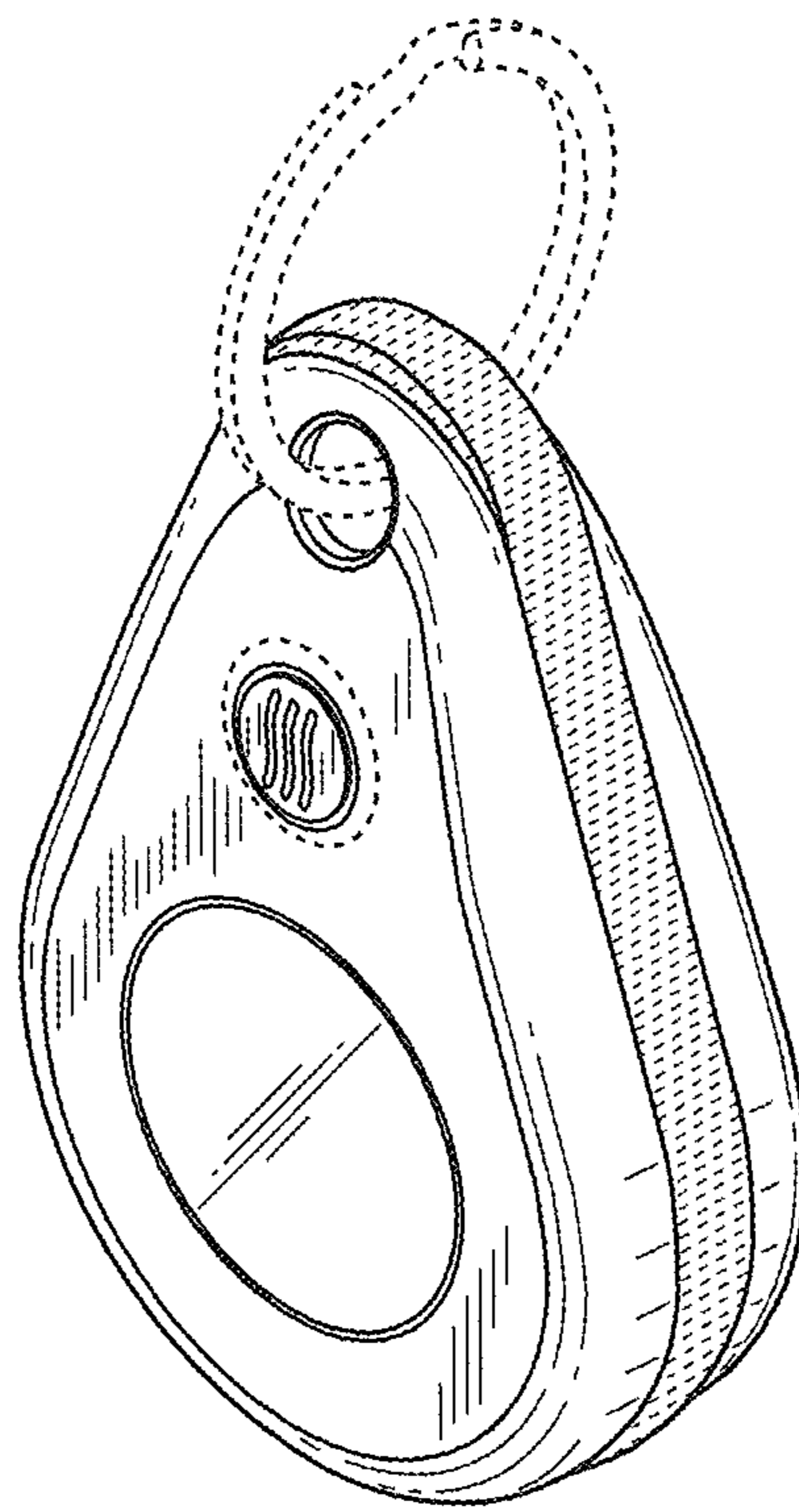


FIG. 1

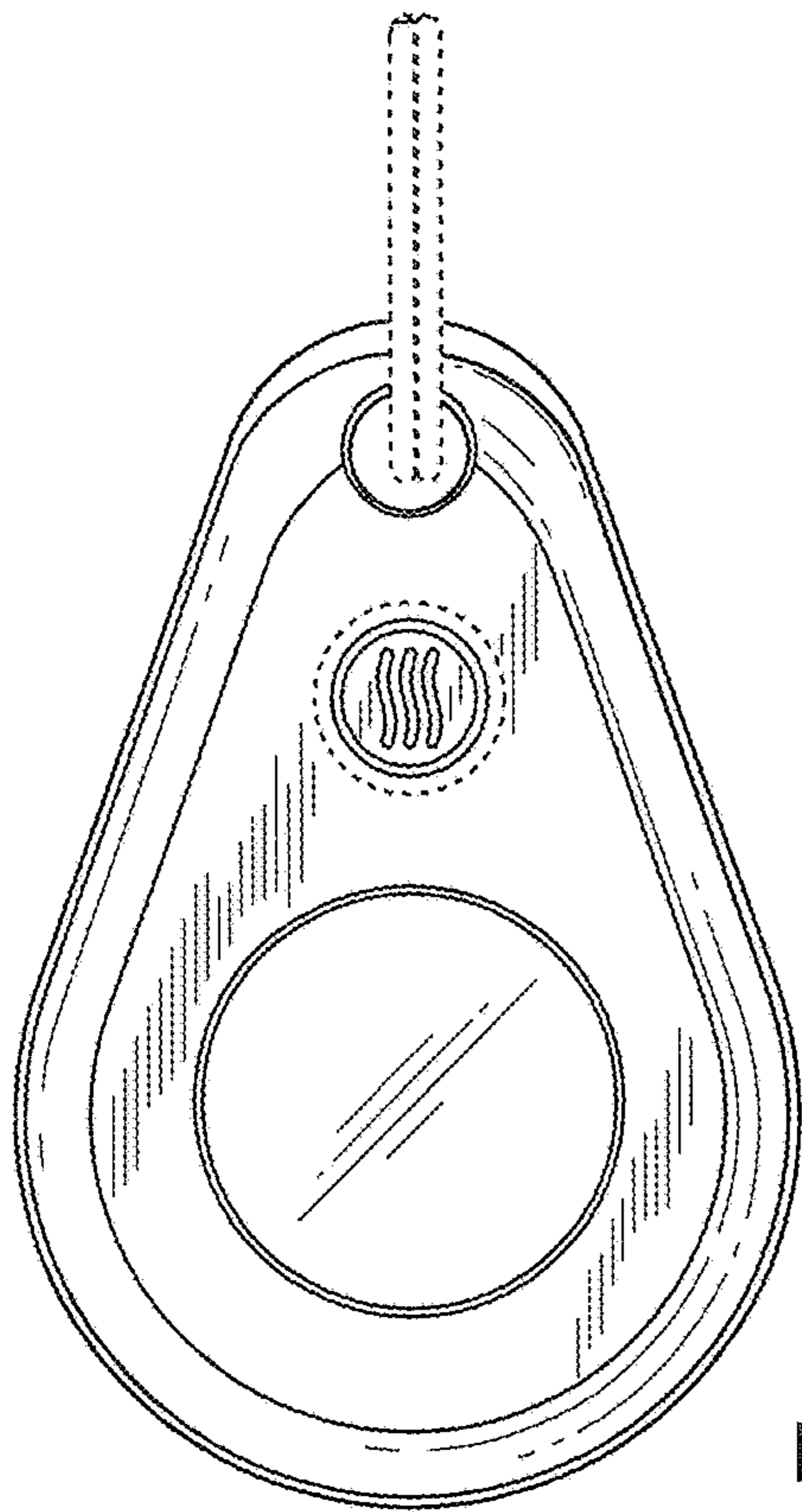


FIG. 2

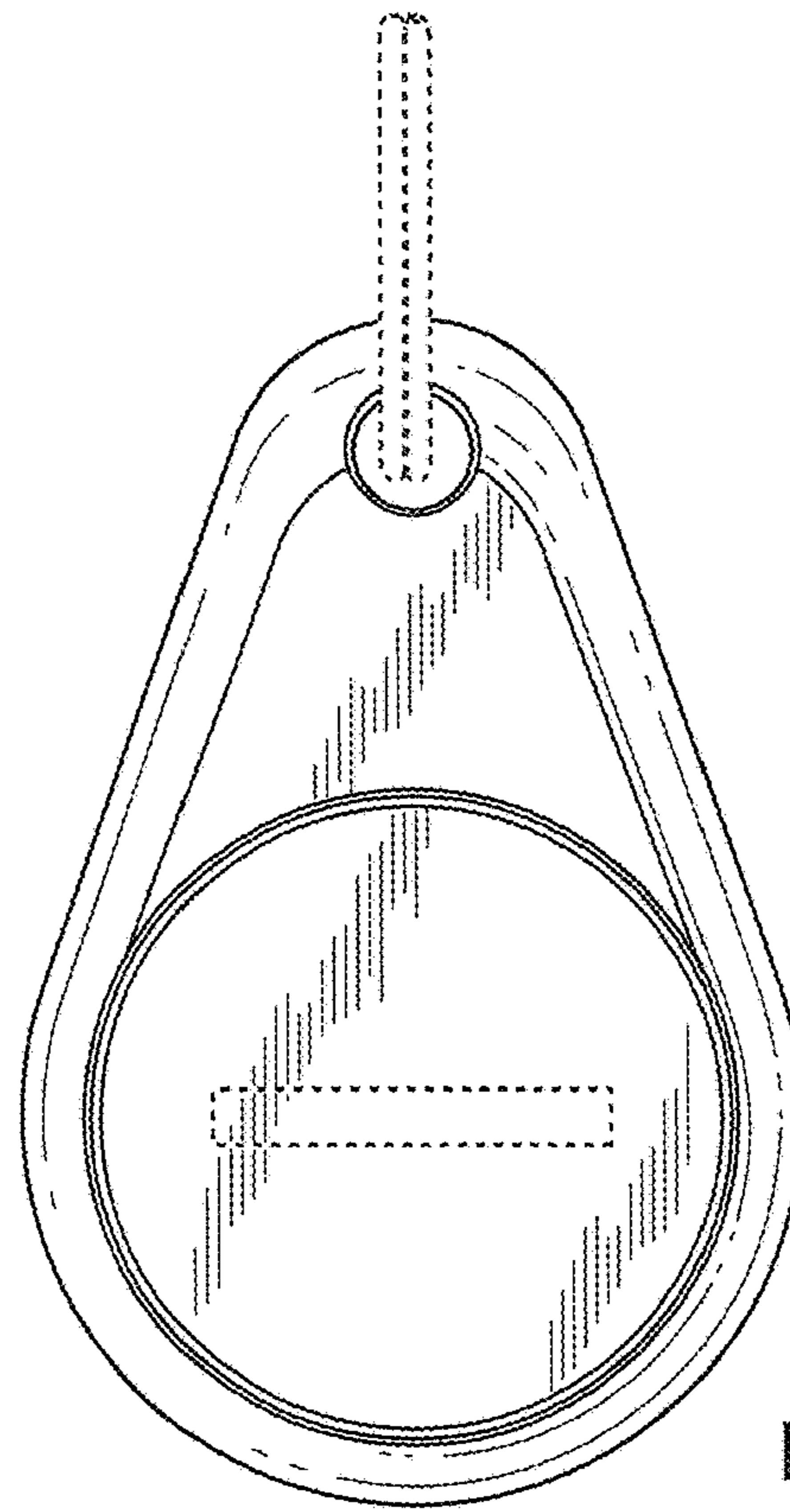


FIG. 3

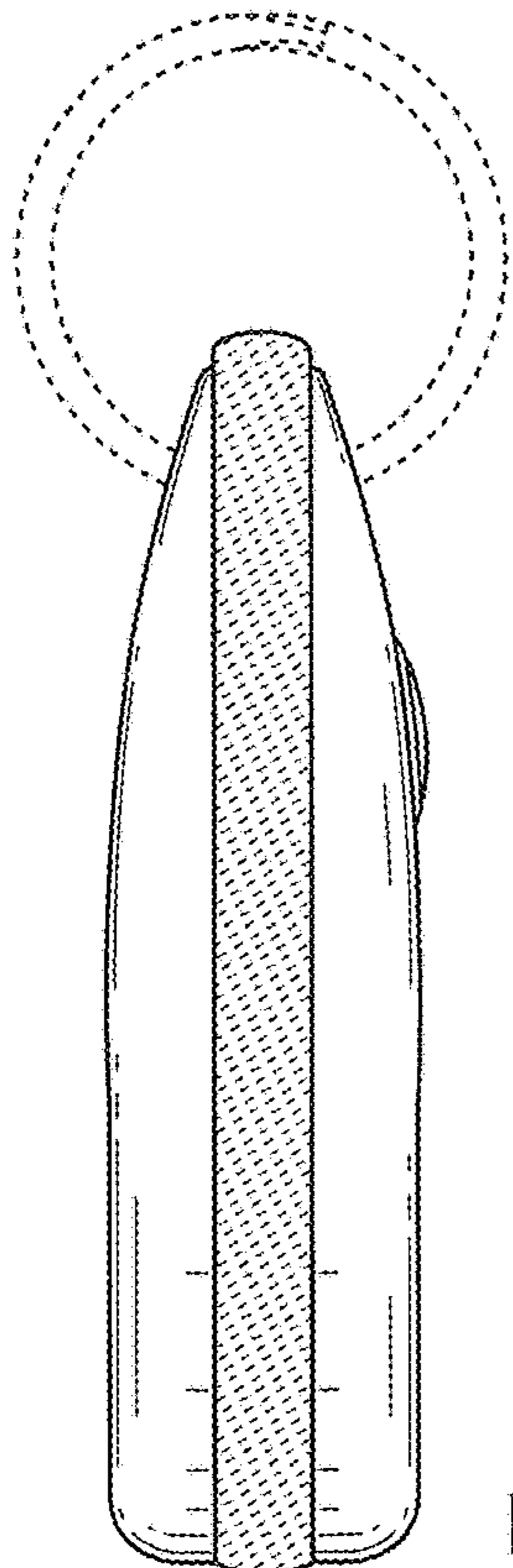


FIG. 4

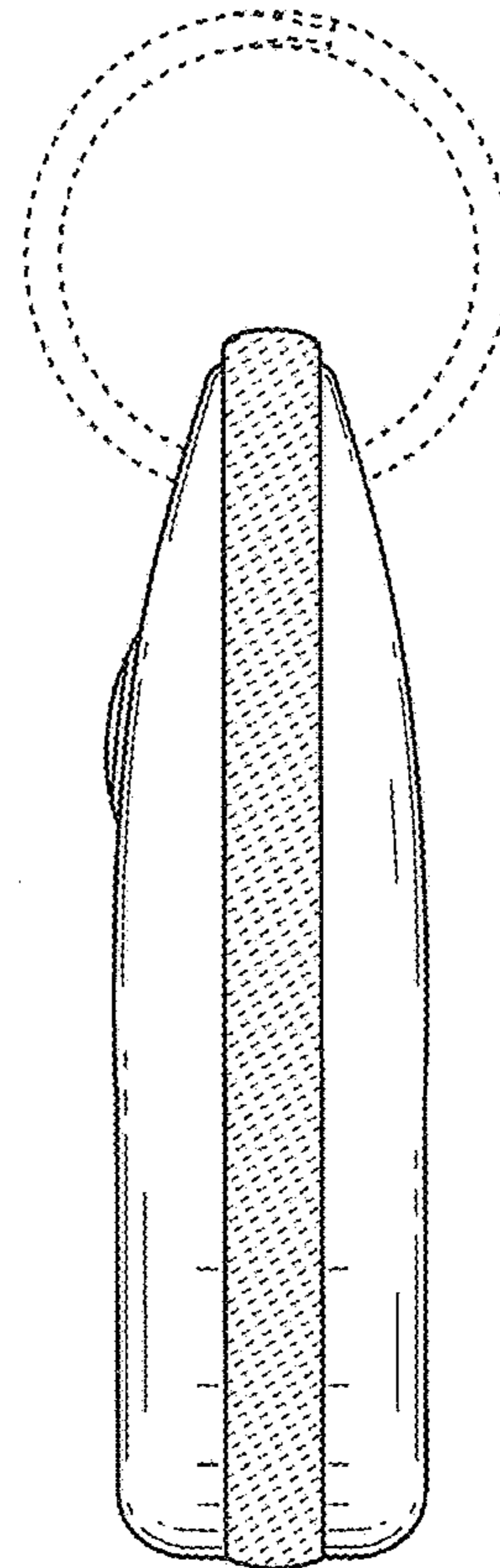


FIG. 5

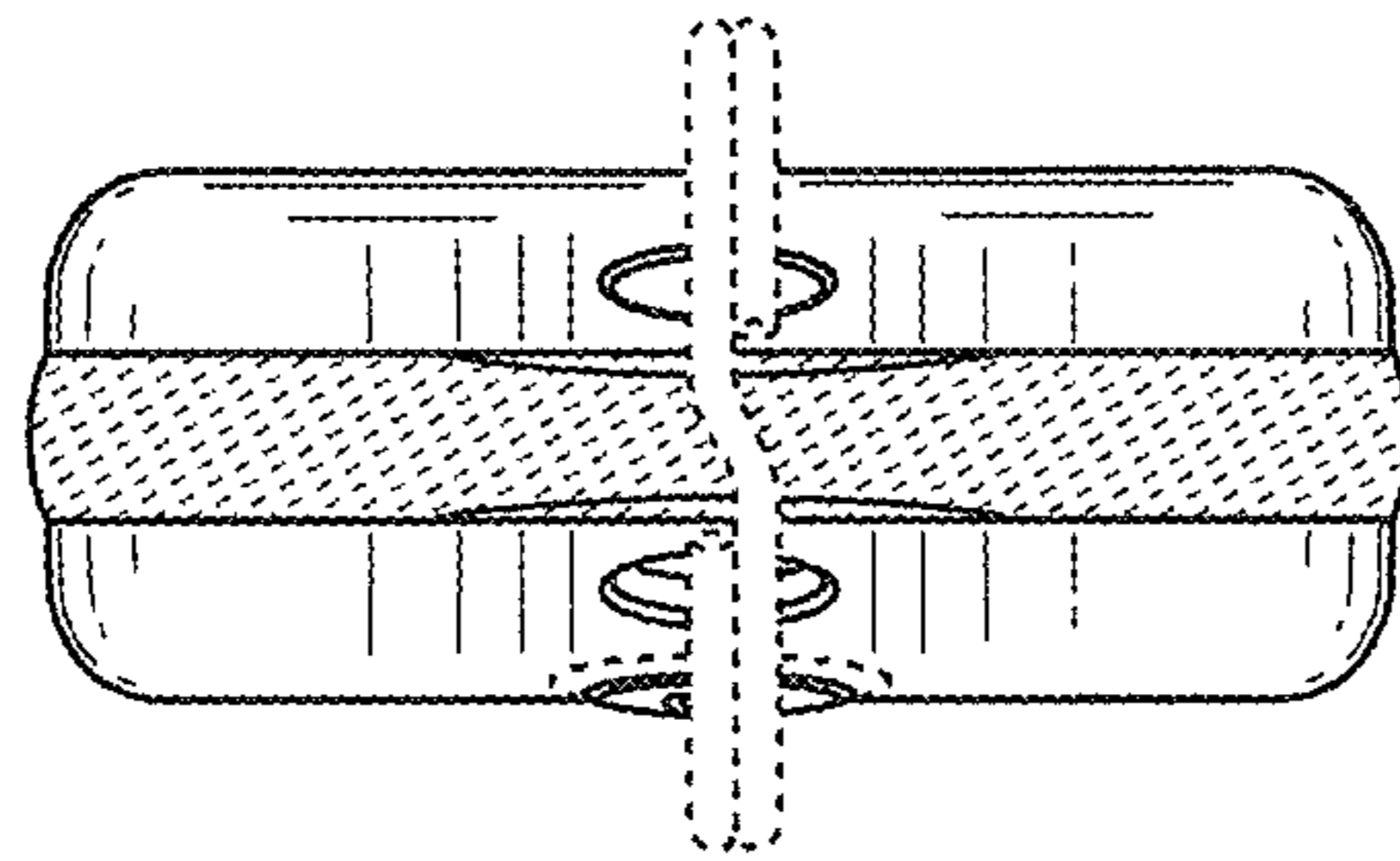


FIG. 6

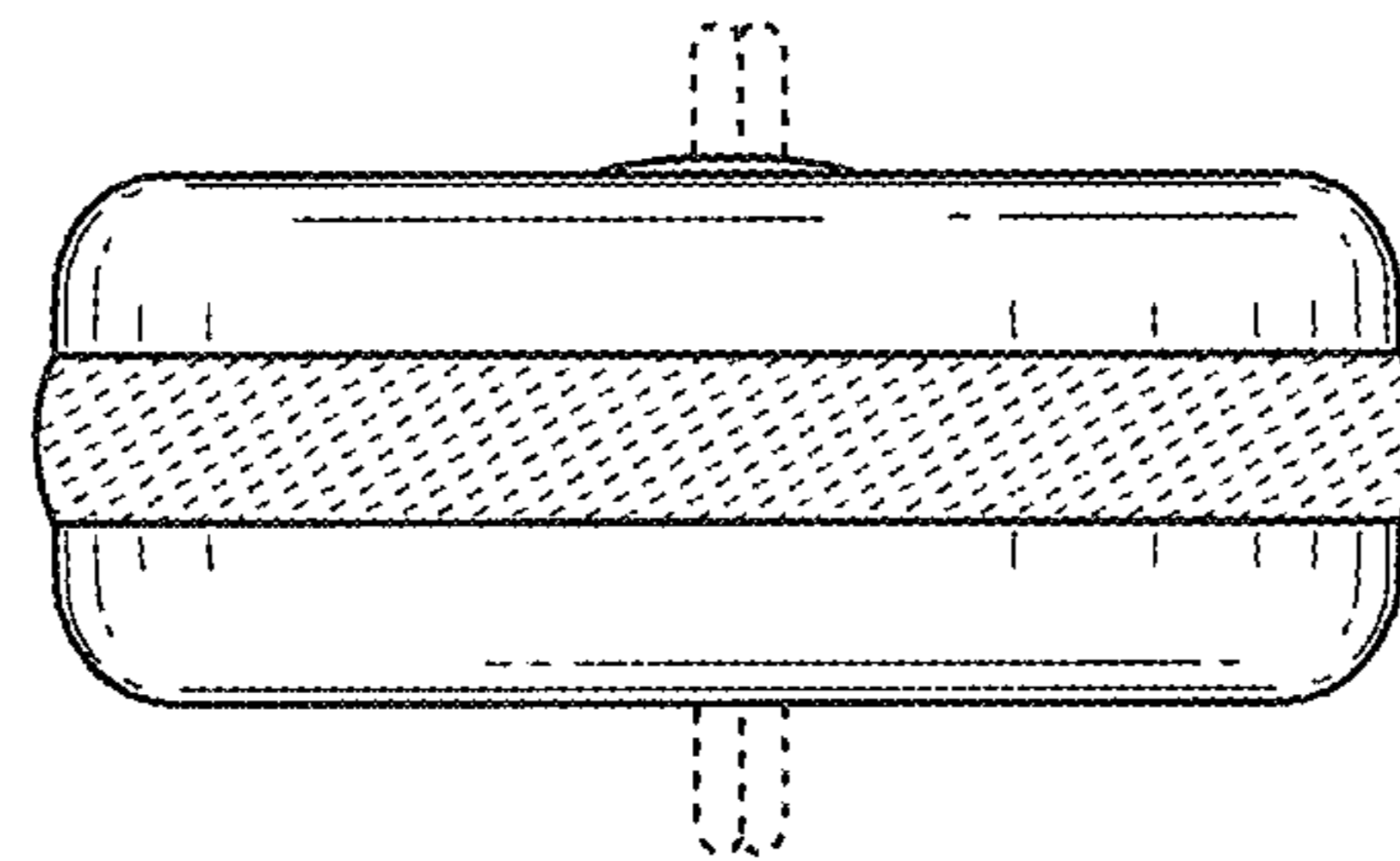


FIG. 7