



US00D945283S

(12) **United States Design Patent** (10) **Patent No.:** **US D945,283 S**
Laurenzi et al. (45) **Date of Patent:** **** Mar. 8, 2022**

(54) **INSTRUMENT**

(71) Applicant: **Delmhorst Instrument Co.**, Towaco, NJ (US)

(72) Inventors: **Thomas J Laurenzi**, Boonton, NJ (US); **John C Laurenzi**, Franklin Lakes, NJ (US); **Martin Nohilly**, Murray Hill, NJ (US); **Mario A Turchi**, Tenafly, NJ (US); **Steve Madsen**, New York, NY (US); **Xumeng Mou**, New York, NY (US); **Wesley L. Burrowes**, River Edge, NJ (US)

(73) Assignee: **DELMHORST INSTRUMENT CO.**, Towaco, NJ (US)

(**) Term: **15 Years**

(21) Appl. No.: **29/783,335**

(22) Filed: **May 12, 2021**

(51) **LOC (13) Cl.** **10-04**

(52) **U.S. Cl.**
USPC **D10/56**

(58) **Field of Classification Search**
USPC D10/56, 78
CPC G01N 19/10; G01N 27/048; G01N 33/246;
G01N 33/24; G01N 27/223; G01N 27/225; G01R 27/14; G01R 27/16; G01R 27/18; G01R 27/20; G01R 27/205; G08B 21/00; G08B 21/20
See application file for complete search history.

(56) **References Cited**

U.S. PATENT DOCUMENTS

D393,601 S 4/1998 Skiffington
D399,774 S 10/1998 Noble
D413,537 S 9/1999 Grossman et al.
6,088,657 A * 7/2000 McMahon G01N 27/4166
324/694
D518,397 S 4/2006 Sydlowski et al.

D534,445 S 1/2007 Kaushal et al.
D540,208 S 4/2007 Mobley et al.
D557,422 S 12/2007 Arbogast et al.
D570,235 S 6/2008 Staller
D594,361 S 6/2009 Miller et al.
D613,863 S 4/2010 Chen
D680,454 S 4/2013 Simmons et al.

(Continued)

FOREIGN PATENT DOCUMENTS

EM 000081179-0001 2/2004
EM 001650508-0001 1/2010

(Continued)

OTHER PUBLICATIONS

General Tools & Instruments, Moisture Meters 2014.

(Continued)

Primary Examiner — Antoine Duval Davis

(74) *Attorney, Agent, or Firm* — Notaro, Michalos & Zaccaria P.C.

(57) **CLAIM**

The ornamental design for an instrument, as shown and described.

DESCRIPTION

FIG. 1 is a front perspective view of an instrument showing our design;

FIG. 2 is a front view thereof;

FIG. 3 is a rear view thereof;

FIG. 4 is a right view thereof;

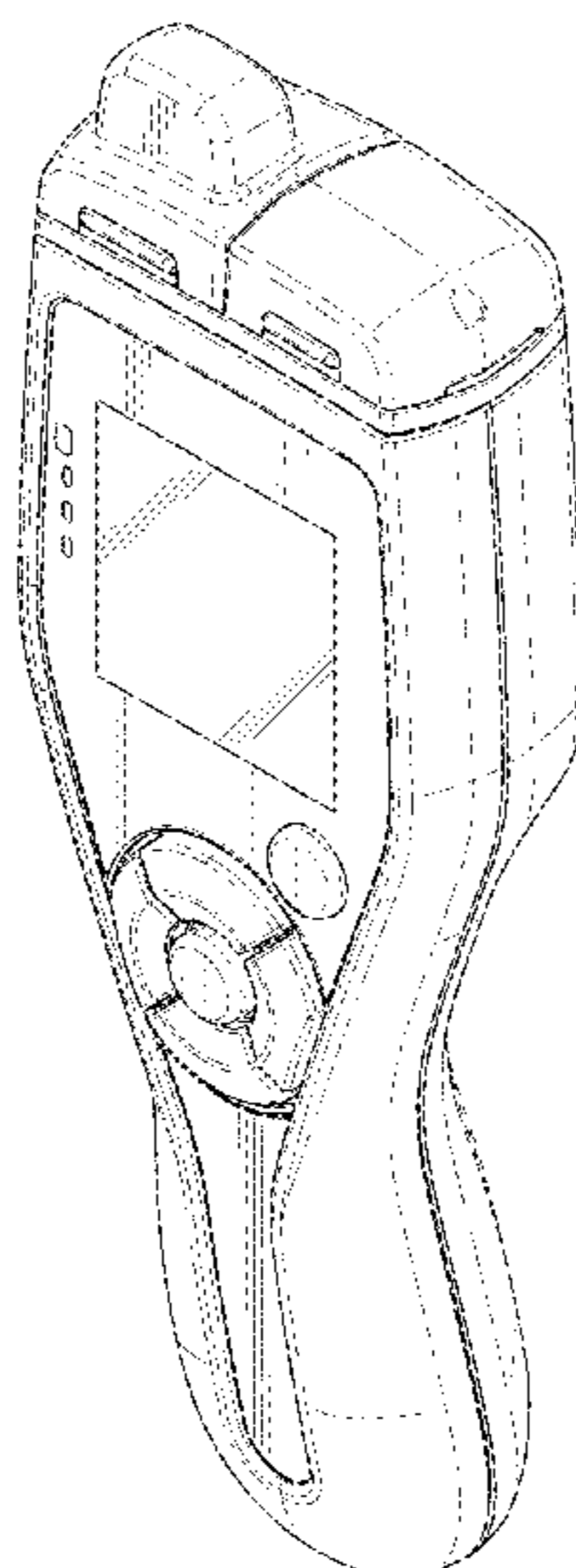
FIG. 5 is a left view thereof;

FIG. 6 is a top view thereof; and,

FIG. 7 is a bottom view thereof.

Throughout the figures, broken lines are boundaries that form no part of the claimed design.

1 Claim, 6 Drawing Sheets



(56)

References Cited

U.S. PATENT DOCUMENTS

8,475,732	B2	7/2013	Simmons et al.
D701,130	S	3/2014	Laurino et al.
D721,979	S	2/2015	Ranwell et al.
D758,224	S	6/2016	Bolea et al.
D764,955	S	8/2016	Ranwell
D765,252	S	8/2016	Emeric et al.
D789,817	S	6/2017	Shen
D806,592	S	1/2018	Protti
D806,593	S	1/2018	Sova
D846,414	S	4/2019	Babu et al.
D890,000	S	7/2020	Song et al.
11,215,575	B2 *	1/2022	Wagner G01N 27/223
2013/0151172	A1	6/2013	Rao et al.
2014/0260604	A1	9/2014	Ranwell

FOREIGN PATENT DOCUMENTS

EM	002122614-0001	11/2012
EM	002756510-0001	8/2015
EM	002760843-0001	8/2015
EM	004566339-0002	1/2018
EM	008238000-0003	11/2020
EM	008305569-0001	12/2020

OTHER PUBLICATIONS

Web page at https://www.trutechtools.com/Moisture-Meters_c_1637.html, retrieved Mar. 29, 2021.

* cited by examiner

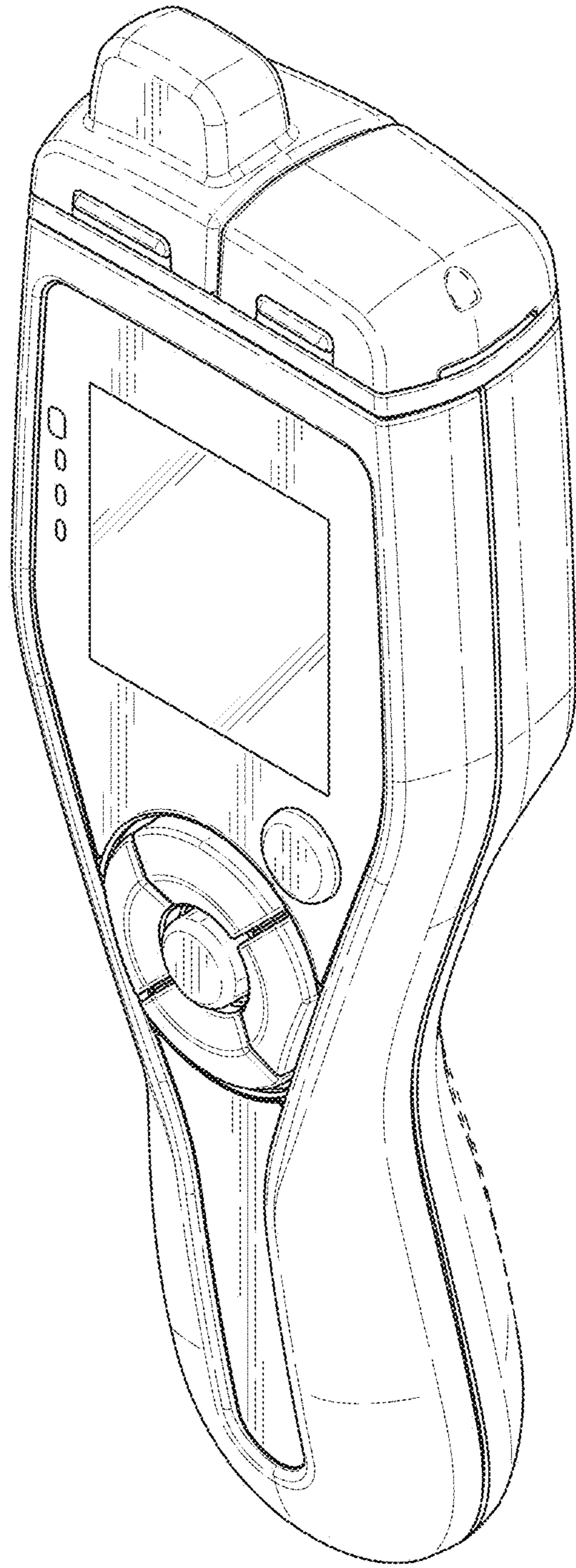


FIG. 1

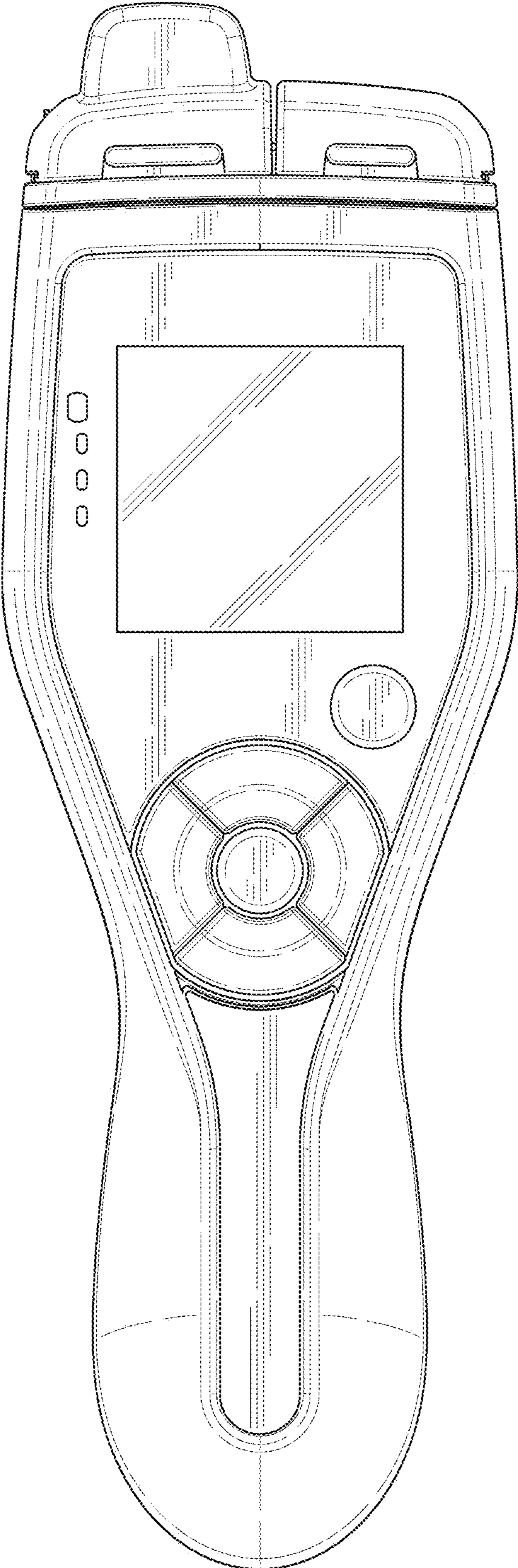


FIG. 2

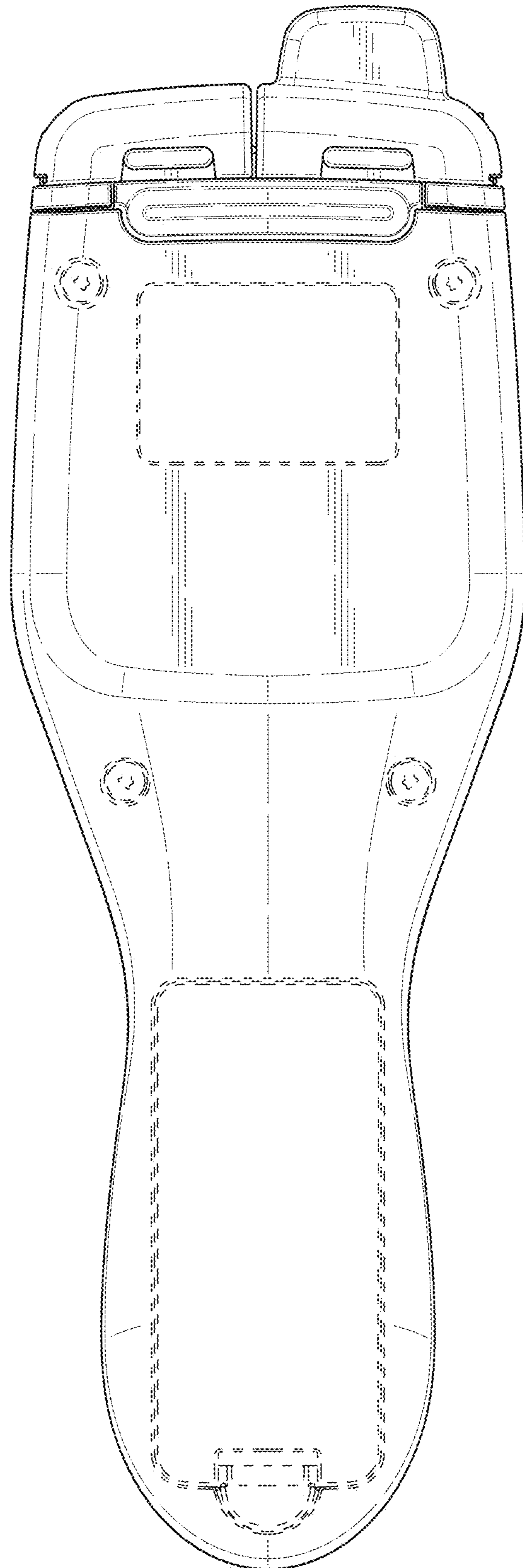


FIG. 3

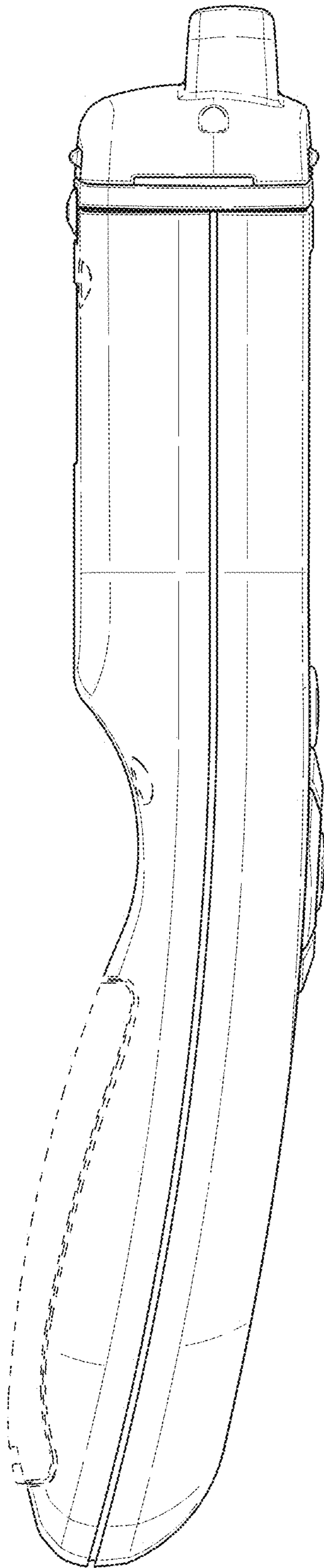


FIG. 4

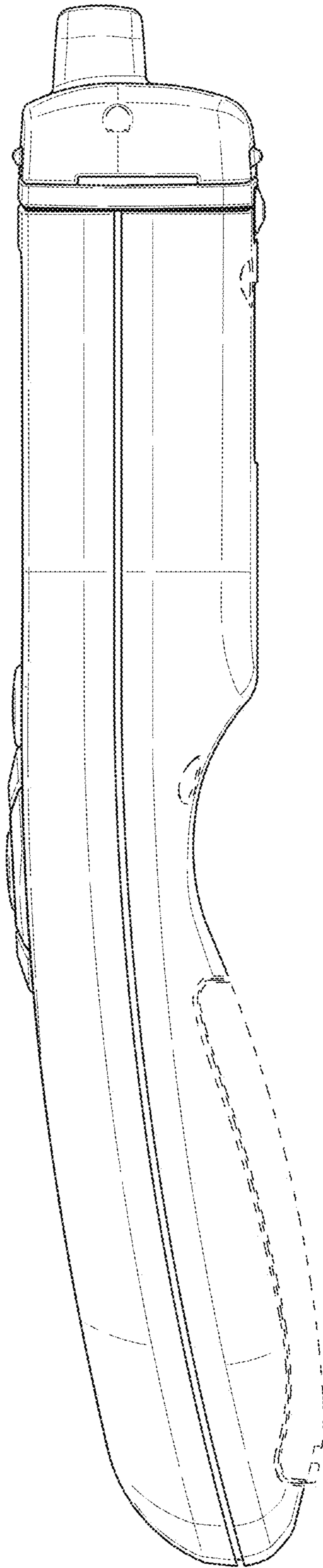


FIG. 5

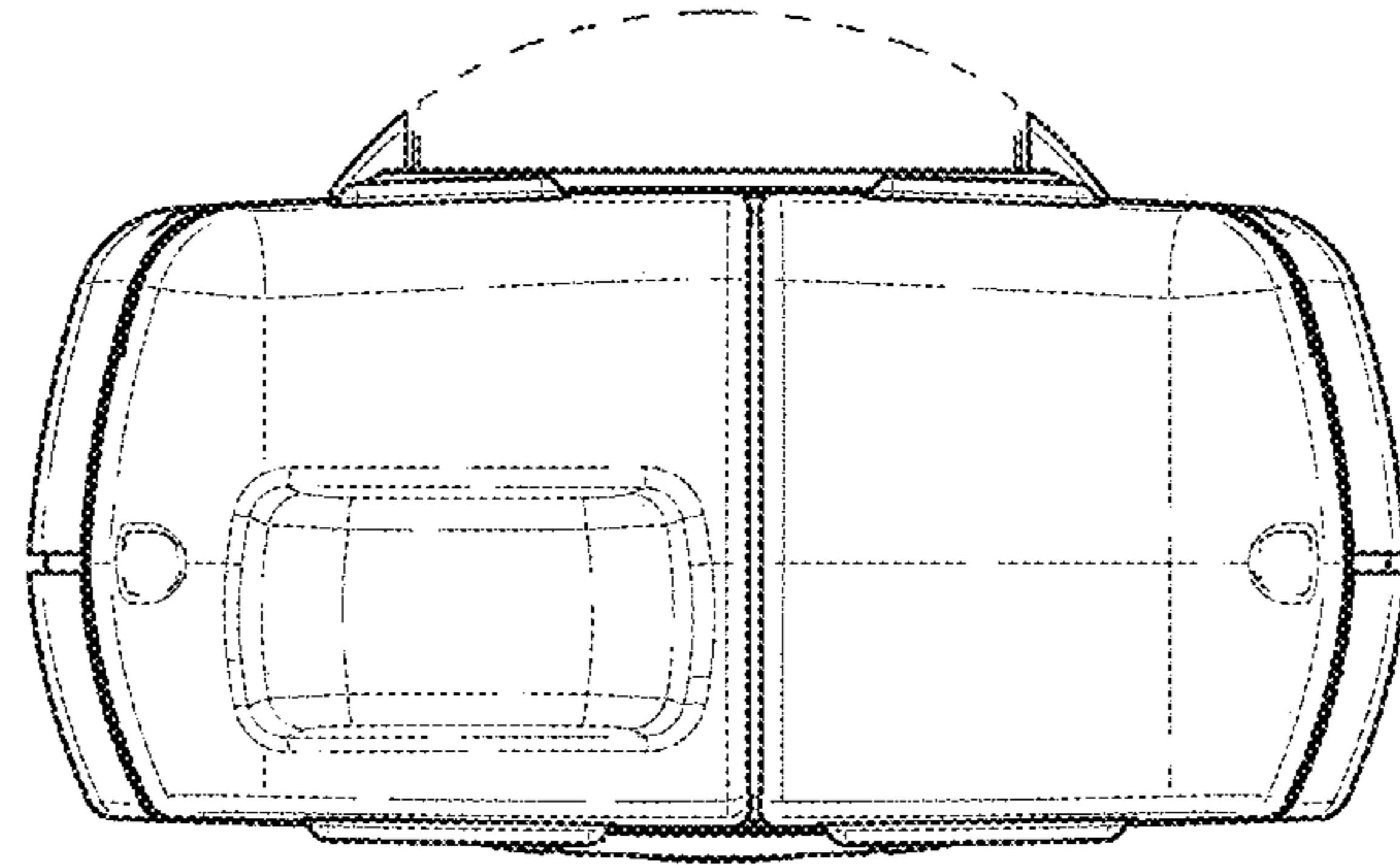


FIG. 6

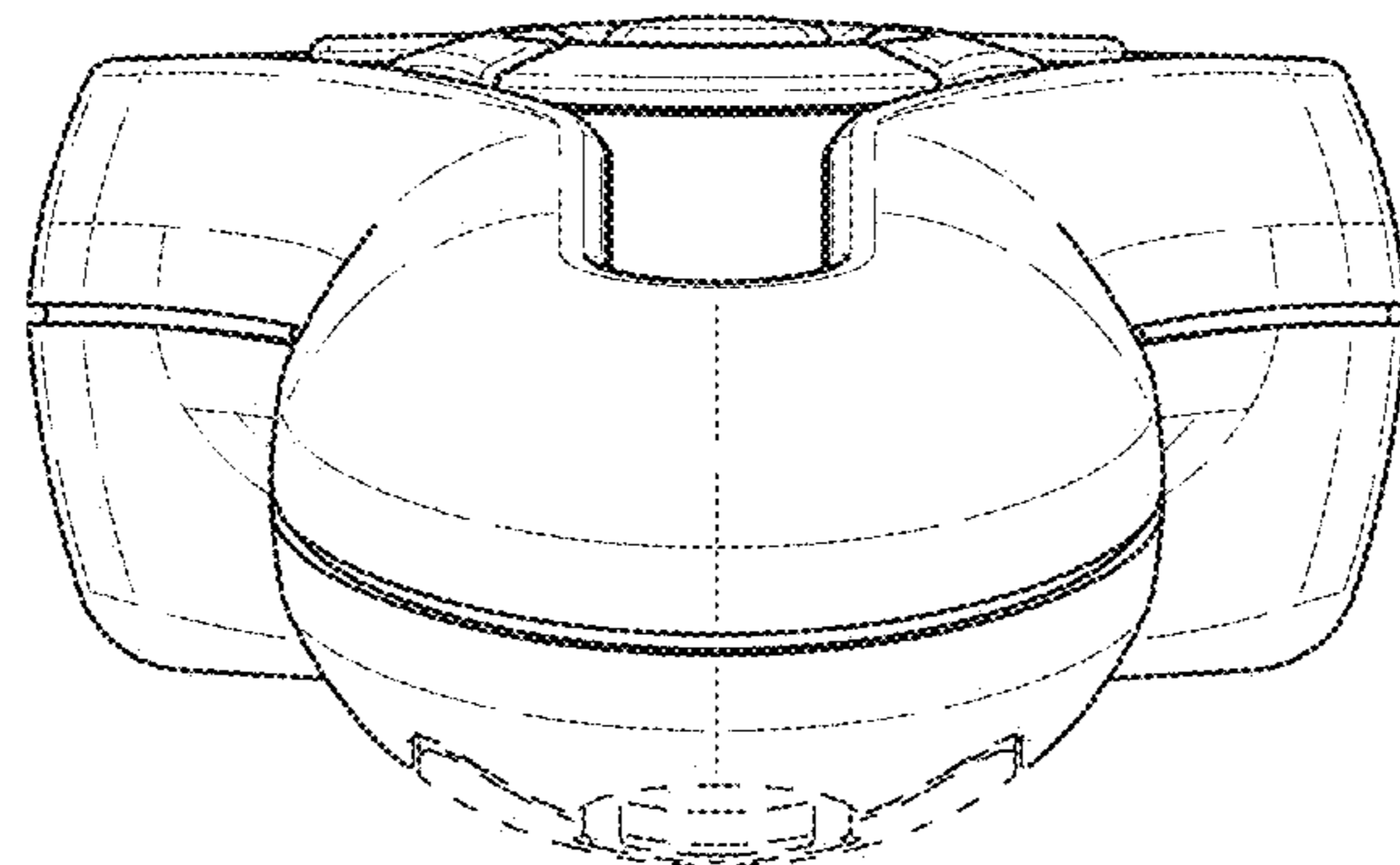


FIG. 7