



US00D945282S

(12) **United States Design Patent**  
**Tran et al.**

(10) **Patent No.:** **US D945,282 S**  
(45) **Date of Patent:** **\*\* Mar. 8, 2022**

(54) **METAL DETECTOR SEARCH COIL**

(71) Applicants: **Anthony H. Tran**, Richardson, TX  
(US); **Robert J. Podhrasky**, Dallas, TX  
(US); **Brent C. Weaver**, Heath, TX  
(US)

(72) Inventors: **Anthony H. Tran**, Richardson, TX  
(US); **Robert J. Podhrasky**, Dallas, TX  
(US); **Brent C. Weaver**, Heath, TX  
(US)

(73) Assignee: **Garrett Electronics, Inc.**, Garland, TX  
(US)

(\*\*) Term: **15 Years**

(21) Appl. No.: **29/734,395**

(22) Filed: **May 12, 2020**

(51) **LOC (13) Cl.** ..... **10-04**

(52) **U.S. Cl.**  
USPC ..... **D10/47**

(58) **Field of Classification Search**  
USPC ..... D10/47  
CPC ... G01V 3/00; G01V 3/02; G01V 3/04; G01V  
3/06; G01V 3/08; G01V 3/081; G01V  
3/082; G01V 3/083; G01V 2003/084;  
G01V 2003/085; G01V 2003/086; G01V  
3/087; G01V 3/088; G01V 3/10; G01V  
3/101; G01V 3/102; G01V 3/104; G01V  
3/105; G01V 3/107; G01V 3/108; G01V  
3/12; G01V 3/14; G01V 3/15; G01V  
3/16; G01V 3/165; G01V 3/17; G01V  
3/175; G01V 3/18; G01V 3/20; G01V  
3/22; G01V 3/24; G01V 3/26; G01V  
3/265; G01V 3/28; G01V 3/30; G01V  
3/32; G01V 3/34; G01V 3/36; G01V  
3/38; G01V 3/40

See application file for complete search history.

(56) **References Cited**

**U.S. PATENT DOCUMENTS**

3,662,255 A 5/1972 Garrett  
3,753,185 A 8/1973 Mahan

(Continued)

**OTHER PUBLICATIONS**

Garrett Metal Detectors, Your Sport. Your Garrett; 2019 Product Catalog, Garrett Electronics, Inc.; Printed Jun. 2019, selected pages in PDF format; part No. PN1540119.A.

*Primary Examiner* — Antoine Duval Davis  
(74) *Attorney, Agent, or Firm* — Dan Brown Law Office;  
Daniel R. Brown

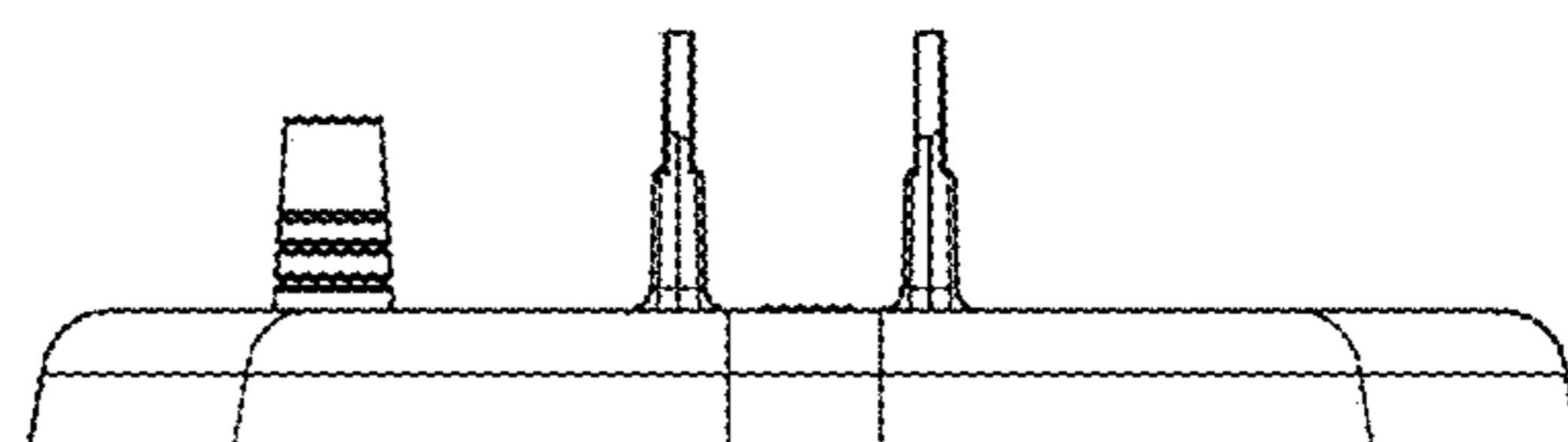
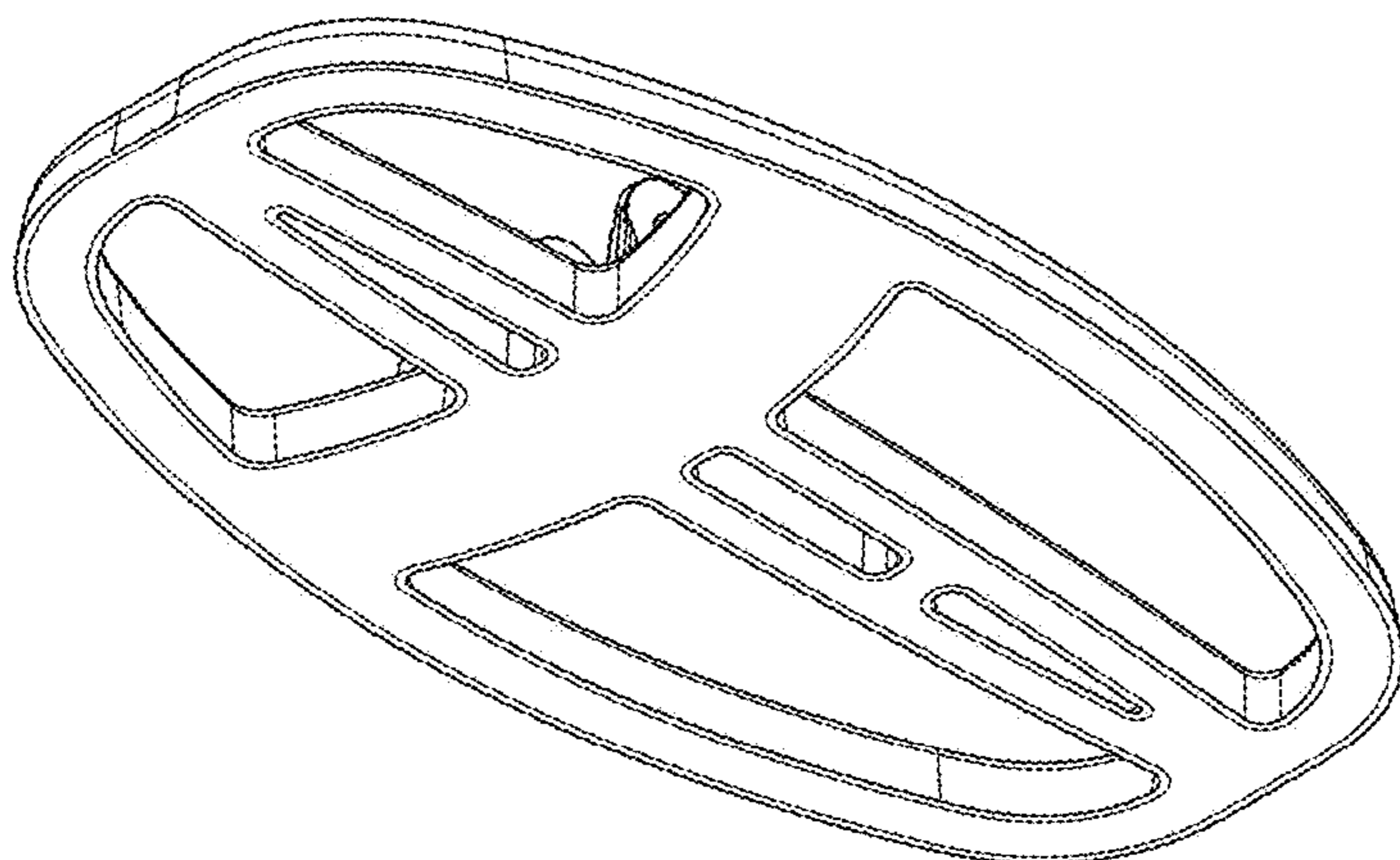
(57) **CLAIM**

We claim, the ornamental design for a metal detector search coil, as shown and described.

**DESCRIPTION**

FIG. 1 is a top view drawing of a metal detector search coil according to an embodiment of the design.  
FIG. 2 is a right side view drawing of a metal detector search coil according to an embodiment of the design.  
FIG. 3 is a bottom view drawing of a metal detector search coil according to an embodiment of the design.  
FIG. 4 is an upper-right-rear perspective view drawing of a metal detector search coil according to an embodiment of the design.  
FIG. 5 is a front view drawing of a metal detector search coil according to an embodiment of the design.  
FIG. 6 is an upper-right-front perspective view drawing of a metal detector search coil according to an embodiment of the design.  
FIG. 7 is a lower-right-rear perspective view drawing of a metal detector search coil according to an embodiment of the design.  
FIG. 8 is a rear view drawing of a metal detector search coil according to an embodiment of the design; and,  
FIG. 9 is a lower-right-front perspective view drawing of a metal detector search coil according to an embodiment of the design.

**1 Claim, 3 Drawing Sheets**



(56)

**References Cited**

U.S. PATENT DOCUMENTS

5,138,262	A	8/1992	Podhrasky et al.	
9,851,466	B2	12/2017	Weaver	
D844,463	S	4/2019	Zhang	
D863,077	S	10/2019	Shao	
D867,170	S	11/2019	Deng	
D881,034	S	1/2020	Zhang	
D881,035	S	4/2020	Zhang	
D881,037	S	4/2020	Zhang	
D881,727	S	4/2020	Deng	
D881,033	S	10/2020	Zhang	
D899,276	S *	10/2020	Zhang	D10/47
D907,513	S *	1/2021	Qin	D10/47
D929,244	S *	8/2021	Deng	D10/47
2014/0218036	A1	8/2014	Fry	

\* cited by examiner

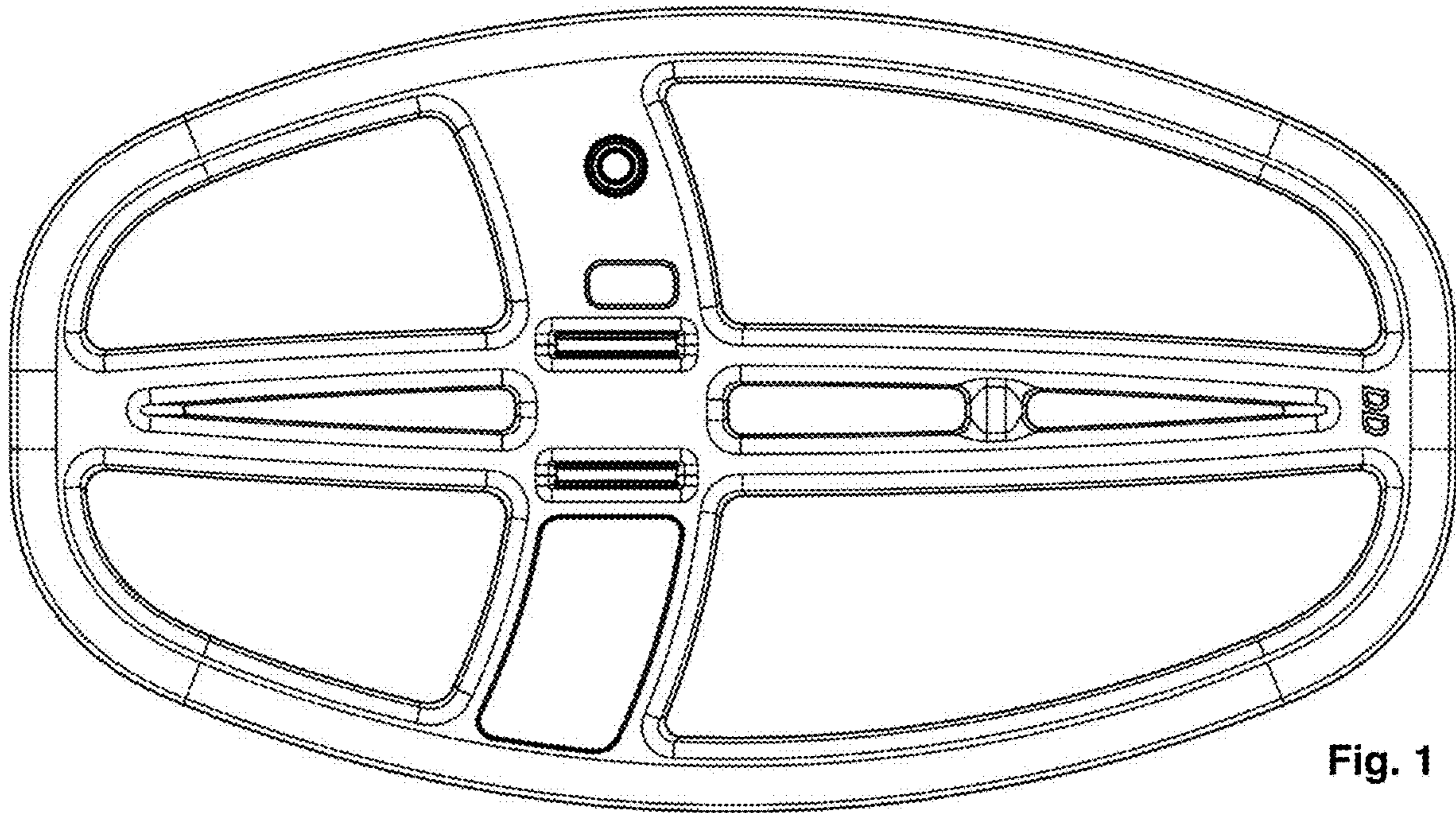


Fig. 1

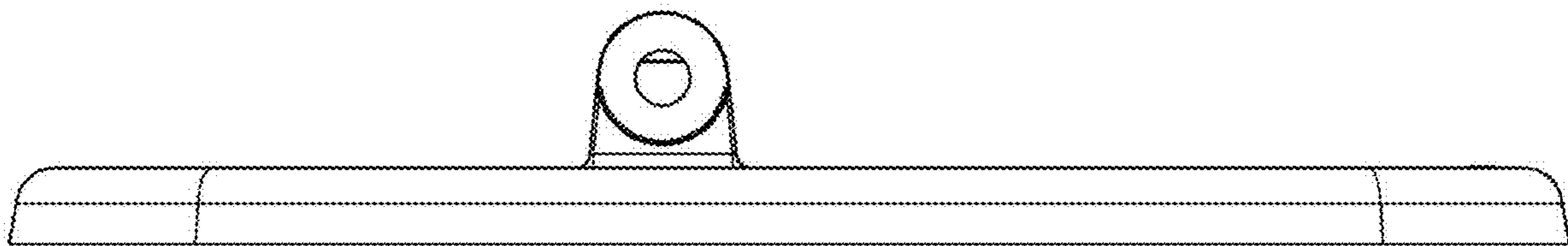


Fig. 2

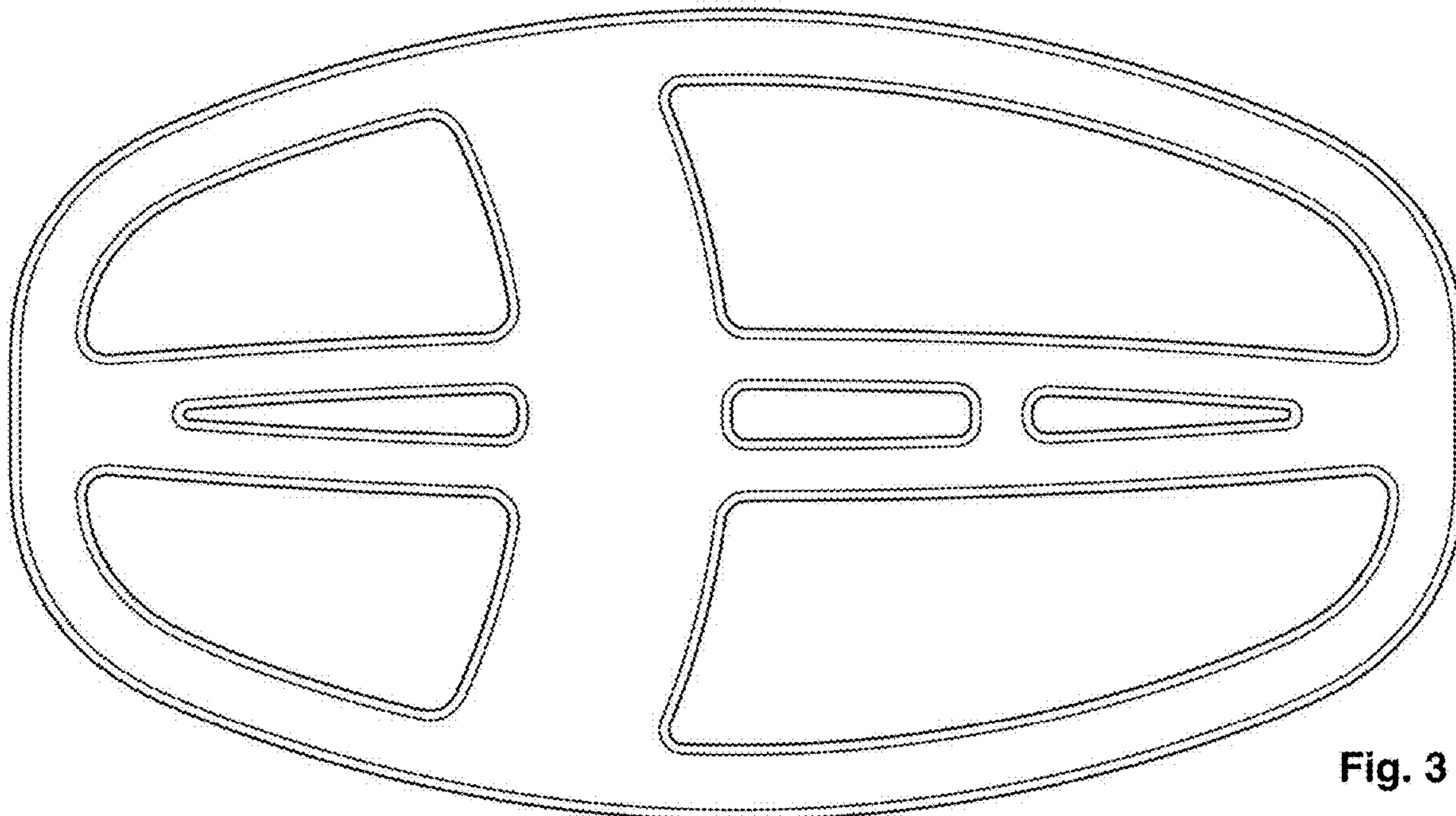


Fig. 3

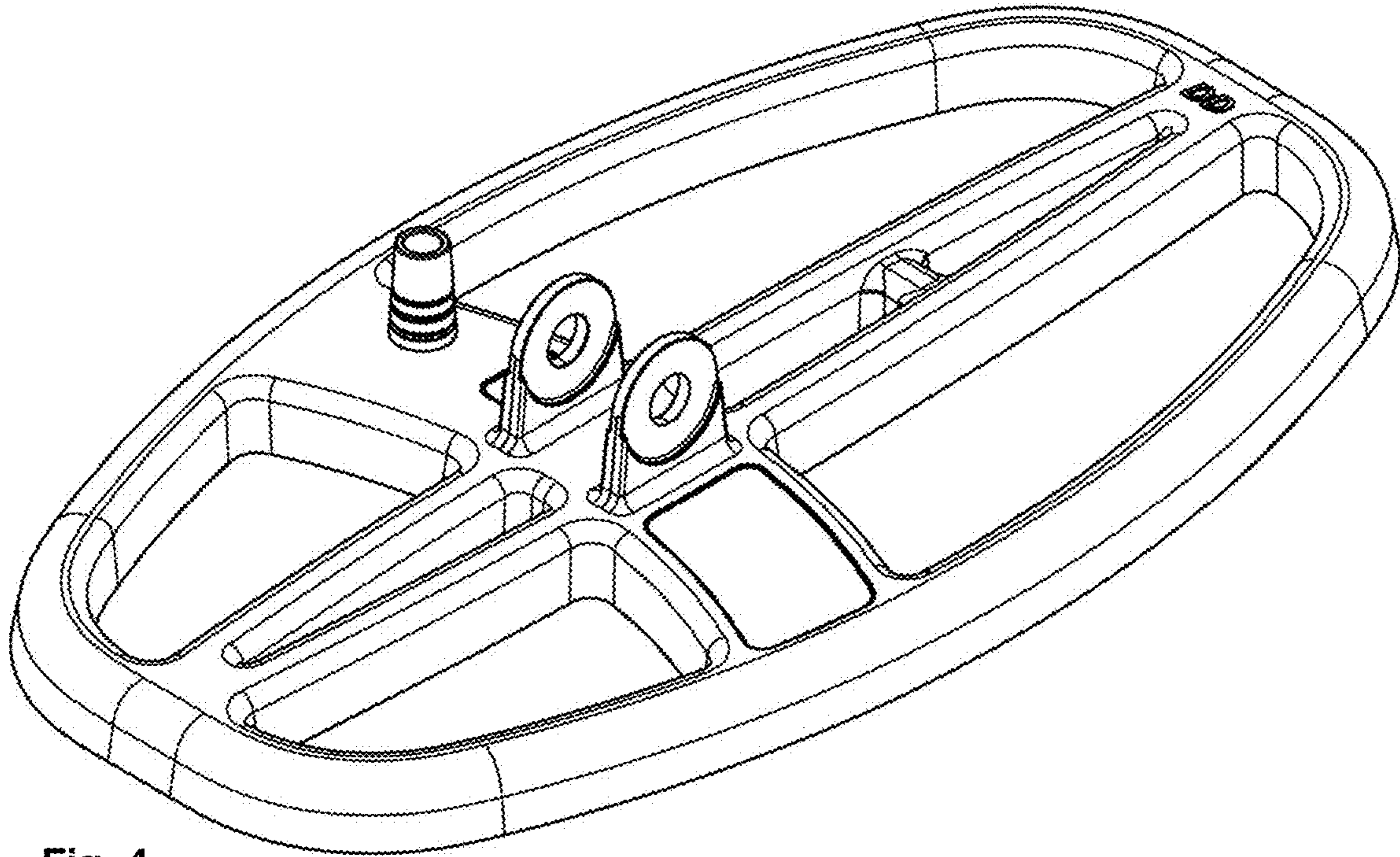


Fig. 4

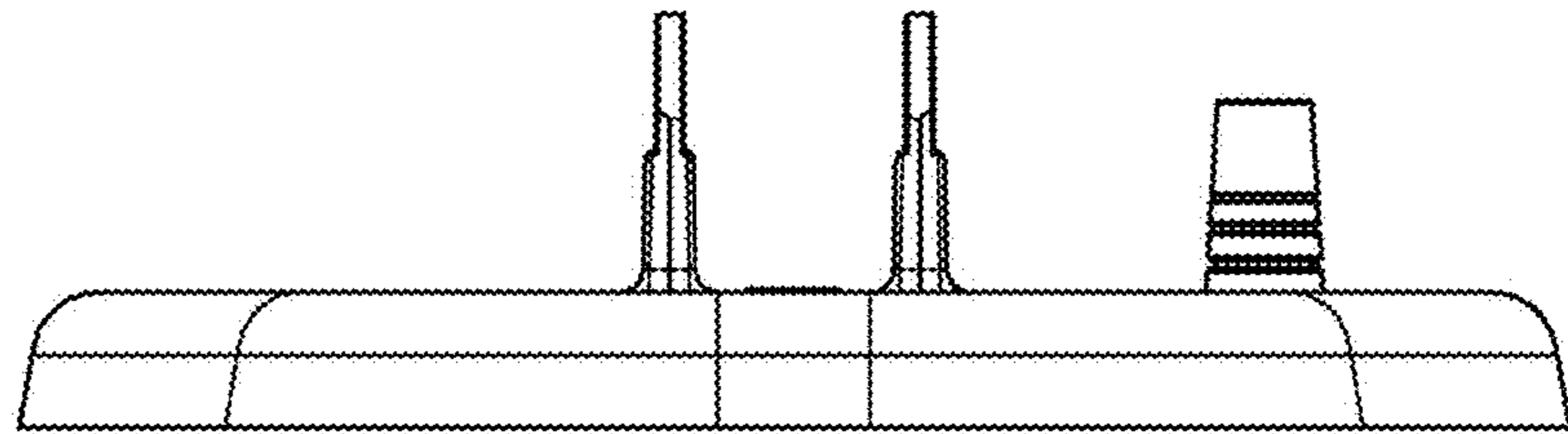


Fig. 5

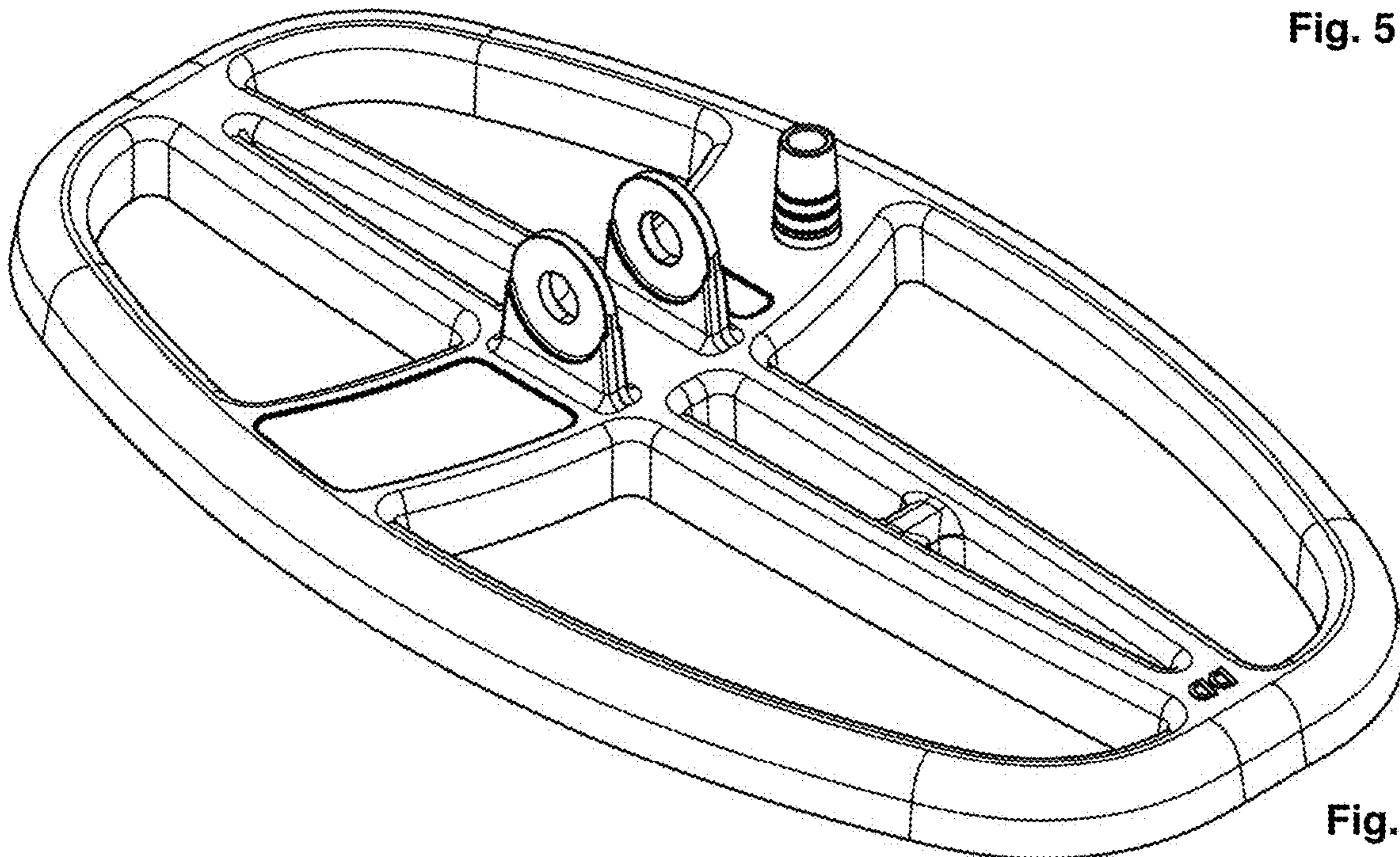


Fig. 6

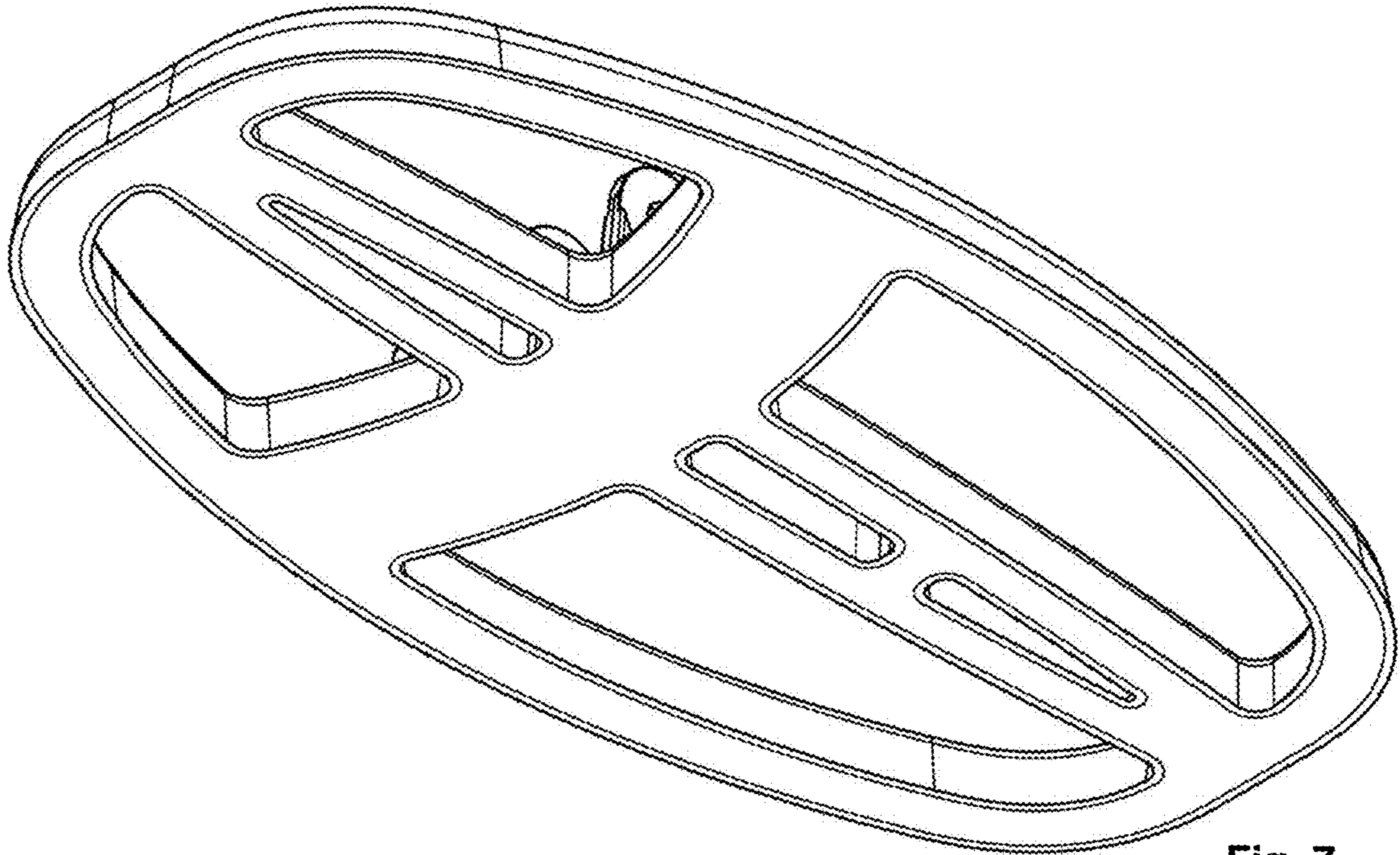


Fig. 7

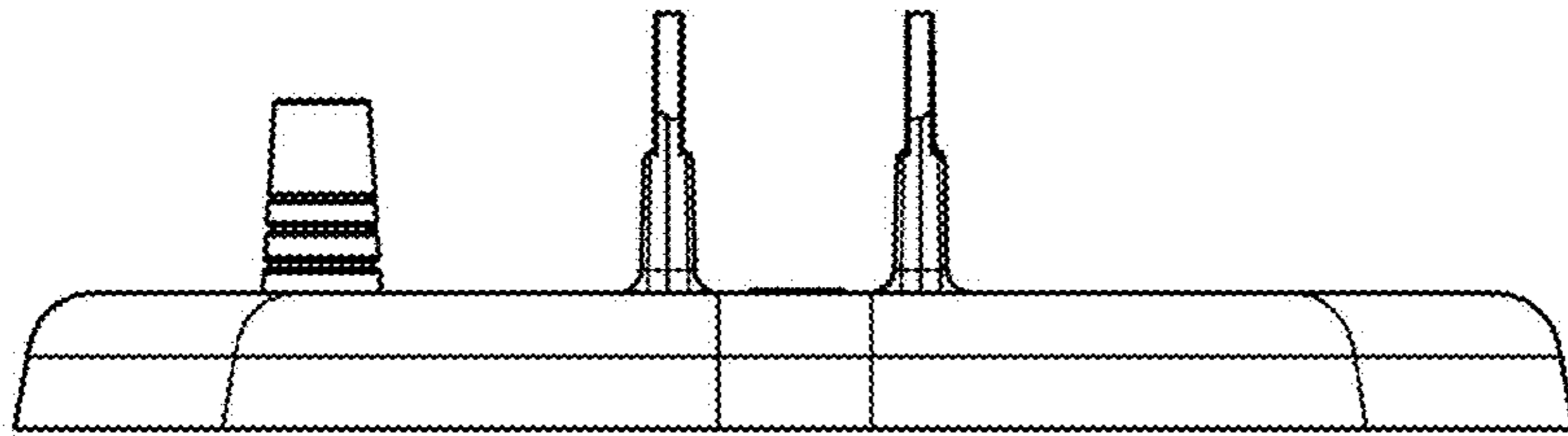


Fig. 8

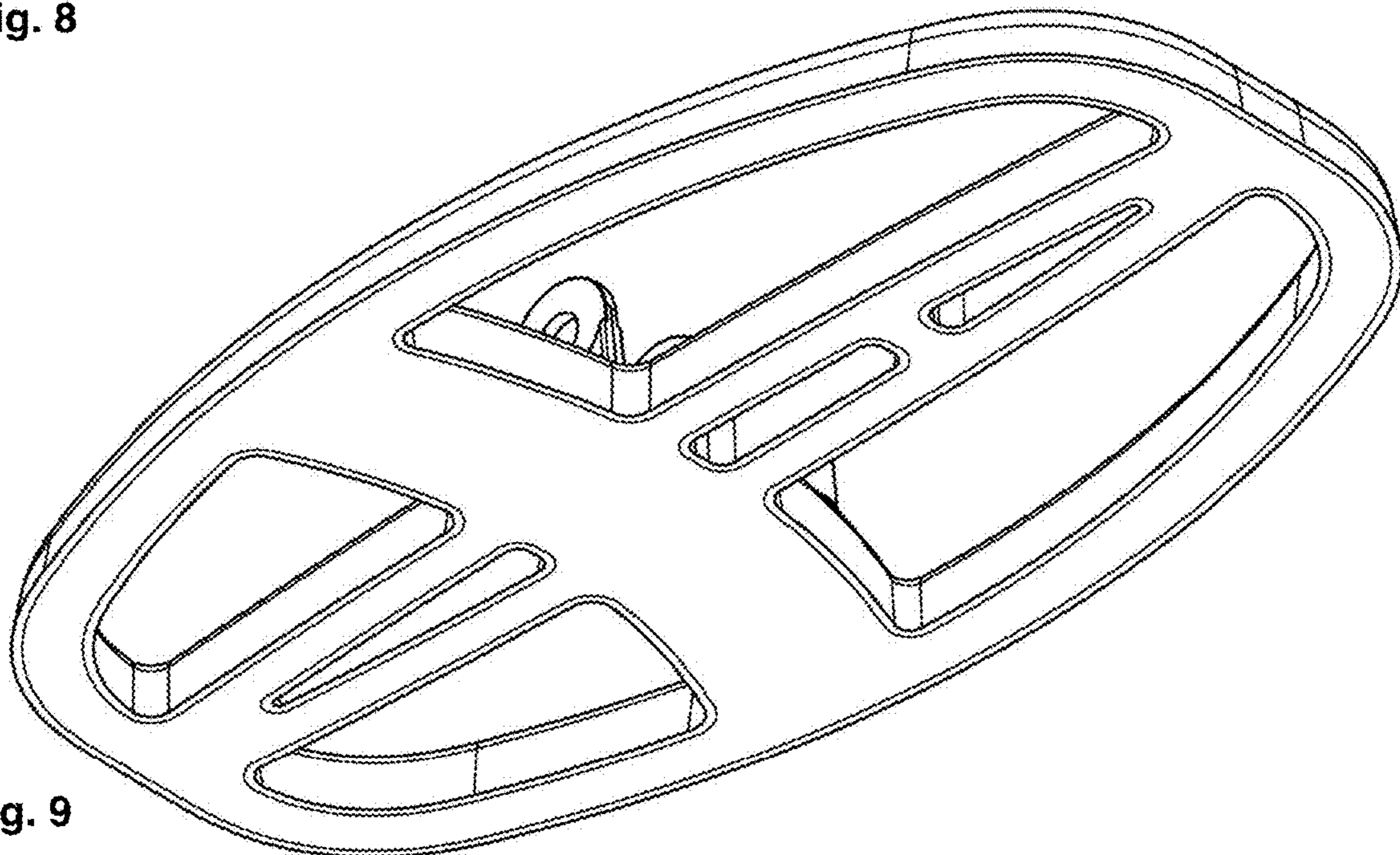


Fig. 9