



US00D945281S

(12) **United States Design Patent** (10) **Patent No.:** **US D945,281 S**
Pollack et al. (45) **Date of Patent:** **** Mar. 8, 2022**

(54) **REARVIEW MIRROR HOUSING**

DESCRIPTION

(71) Applicant: **Gentex Corporation**, Zeeland, MI (US)
(72) Inventors: **Christopher D. Pollack**, Zeeland, MI (US); **Eric S. Sloterbeek**, Hudsonville, MI (US); **William M. Vanden Bos**, Grand Rapids, MI (US)
(73) Assignee: **GENTEX CORPORATION**, Zeeland, MI (US)
(**) Term: **15 Years**
(21) Appl. No.: **29/642,072**
(22) Filed: **Mar. 27, 2018**
(51) **LOC (13) Cl.** **10-04**
(52) **U.S. Cl.**
USPC **D10/46; D12/187**
(58) **Field of Classification Search**
USPC D12/106, 187, 188, 189, 191, 195, 345, D12/400, 415, 416, 417, 418, 419, 420;
(Continued)

(56) **References Cited**

U.S. PATENT DOCUMENTS

D287,408 S * 12/1986 Gaines D26/26
D534,818 S * 1/2007 Schoen D10/46
(Continued)

FOREIGN PATENT DOCUMENTS

CN 303491799 S 12/2015
CN 303887157 S 10/2016
(Continued)

Primary Examiner — Philip S Hyder

Assistant Examiner — Jerry Shiu-an-Hua Hsu

(74) *Attorney, Agent, or Firm* — Price Heneveld LLP;
Brian James Brewer

(57) **CLAIM**

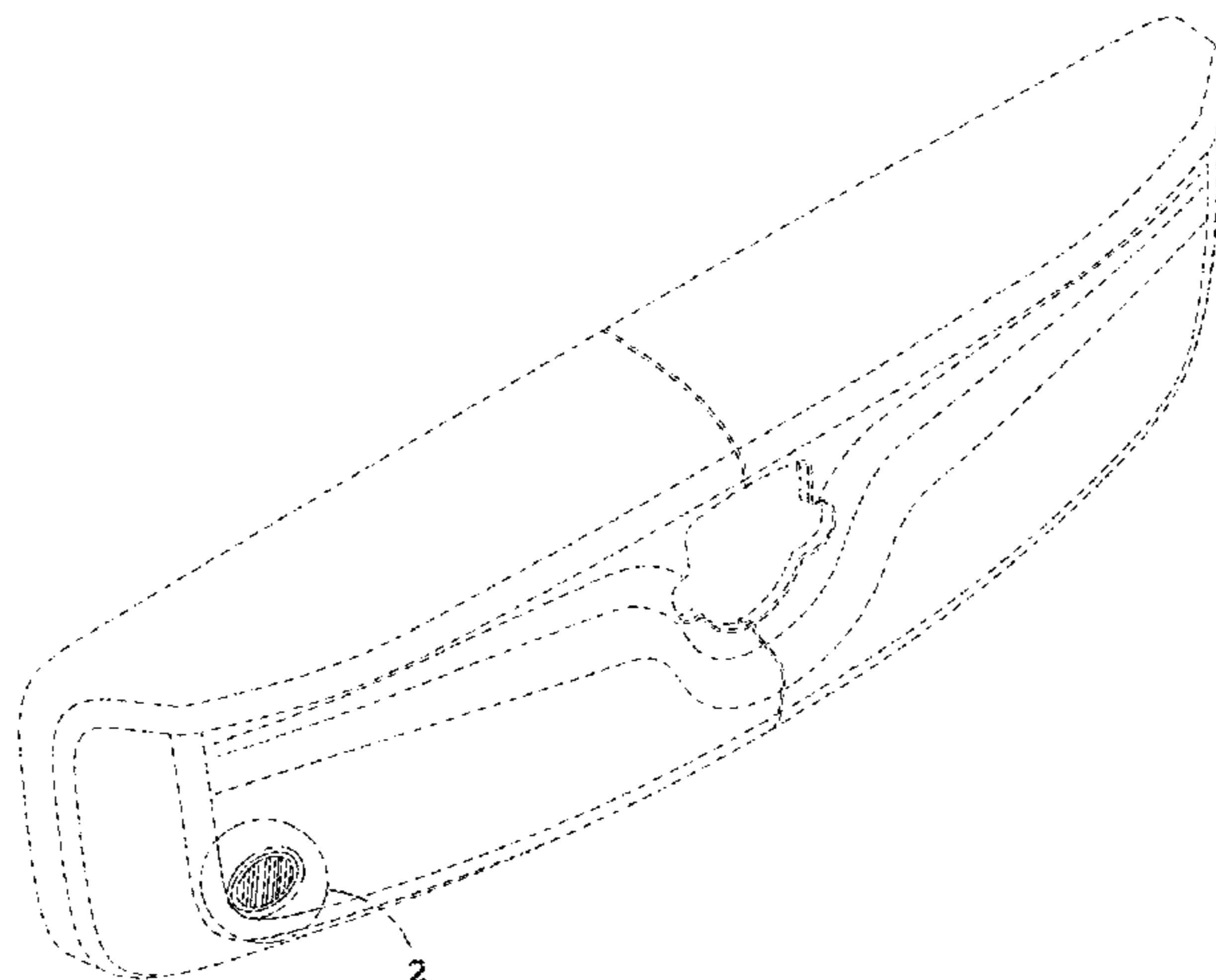
The ornamental design for a rearview mirror housing, as shown and described.

FIG. 1 is a front perspective view of a rearview mirror housing according to a first embodiment of our design; FIG. 2 is an enlarged detail view thereof showing area 2, as indicated in FIG. 1; FIG. 3 is a back perspective view thereof; FIG. 4 is an enlarged detail view thereof showing area 4, as indicated in FIG. 3; FIG. 5 is a front elevation view thereof; FIG. 6 is a back elevation view thereof; FIG. 7 is an enlarged detail view thereof showing area 7, as indicated in FIG. 6; FIG. 8 is a right side elevation view thereof; FIG. 9 is an enlarged detail view thereof showing area 9, as indicated in FIG. 8; FIG. 10 is a left side elevation view thereof; FIG. 11 is a top plan view thereof; FIG. 12 is a bottom plan view thereof; FIG. 13 is an enlarged detail view thereof showing area 13, as indicated in FIG. 12; FIG. 14 is a front perspective view of a rearview mirror housing according to a second embodiment of our design; FIG. 15 is an enlarged detail view thereof showing area 15, as indicated in FIG. 14; FIG. 16 is a back perspective view thereof; FIG. 17 is an enlarged detail view thereof showing area 17, as indicated in FIG. 16; FIG. 18 is a front elevation view thereof; FIG. 19 is a back elevation view thereof; FIG. 20 is an enlarged detail view thereof showing area 20, as indicated in FIG. 19; FIG. 21 is a right side elevation view thereof; FIG. 22 is an enlarged detail view thereof showing area 22, as indicated in FIG. 21; FIG. 23 is a left side elevation view thereof; FIG. 24 is a top plan view thereof; FIG. 25 is a bottom plan view thereof; and, FIG. 26 is an enlarged detail view thereof showing area 26, as indicated in FIG. 25.

The dash-dash broken lines depict portions of the article that form no part of the claimed design.

The dash-dot broken lines, adjacent to the un-shaded areas, represent bounds of the claimed design and form no part of

(Continued)



the claimed design. The dash-dot-dot broken lines show the boundaries of the enlarged detailed views and form no part of the claimed design.

1 Claim, 26 Drawing Sheets

(58) Field of Classification Search

USPC D6/300, 309; D10/46, 104.1, 104.2, 105, D10/106.1, 106.2, 106.3, 106.4, 106.5, D10/106.6, 106.7, 106.8, 106.9, 106.91, D10/106.92; D26/24, 26, 37, 46, 72, 85, D26/88, 89, 93, 104, 113, 118
 CPC .. B60R 1/088; B60R 1/04; B60R 1/12; B60R 16/0207; H05B 47/125

See application file for complete search history.

(56) References Cited

U.S. PATENT DOCUMENTS

D633,236 S * 2/2011 Voshell D26/26
 8,620,523 B2* 12/2013 Nelson B60R 1/088
 701/36

D746,195 S 12/2015 Sloterbeek et al.
 D746,744 S 1/2016 Sloterbeek et al.
 D750,979 S * 3/2016 Roth D10/46
 D755,097 S 5/2016 Lin
 D761,168 S * 7/2016 Roth D12/187
 D783,480 S 4/2017 Sloterbeek et al.
 D786,755 S 5/2017 Sloterbeek et al.
 9,694,751 B2* 7/2017 Lundy, Jr. B60R 16/0207
 D862,267 S * 10/2019 Hendricks D10/106.7
 D867,903 S * 11/2019 Song D10/46
 D881,769 S * 4/2020 Hamlin D12/187
 2012/0218655 A1* 8/2012 Steel B60R 1/04
 359/871
 2019/0254143 A1* 8/2019 Hallack H05B 47/125
 2019/0299867 A1* 10/2019 Pollack B60R 1/088

FOREIGN PATENT DOCUMENTS

CN 303887215 S 10/2016
 JP 2012516271 A 7/2012
 JP 2016534915 A 11/2016
 JP 2018505436 A 2/2018
 JP 2018034797 A 3/2018
 KR 3008758250002 10/2016

* cited by examiner

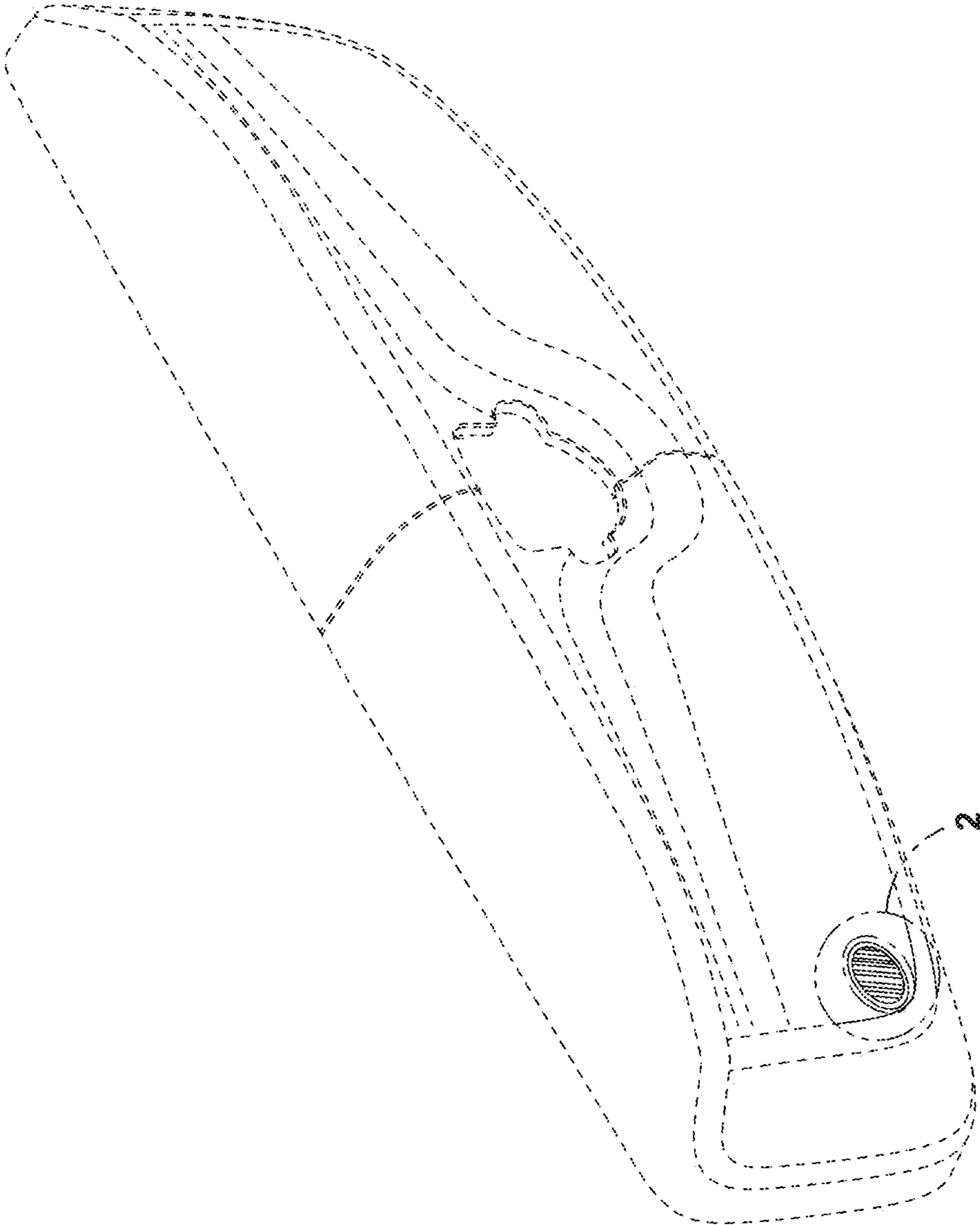


FIG. 1

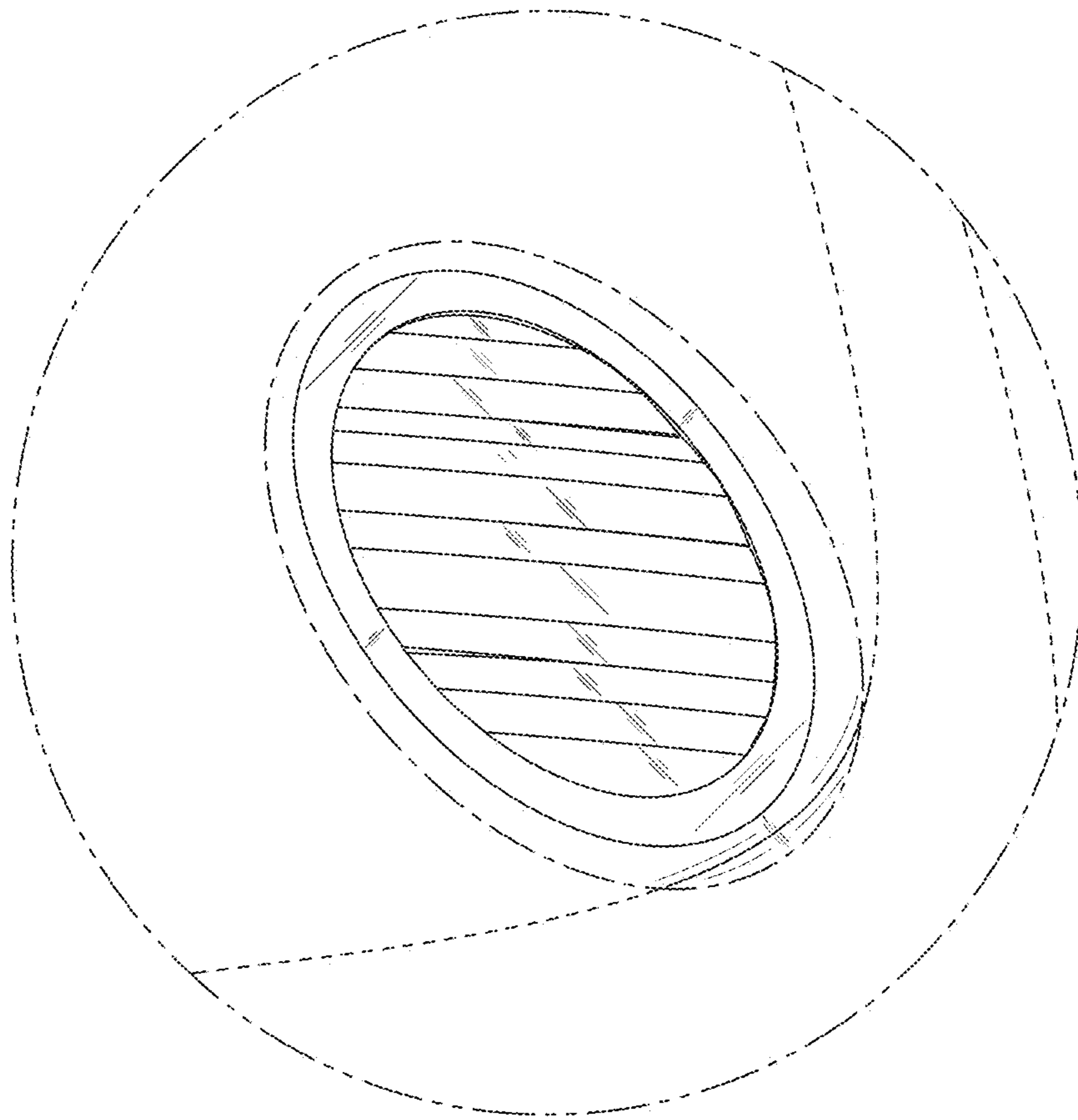


FIG. 2

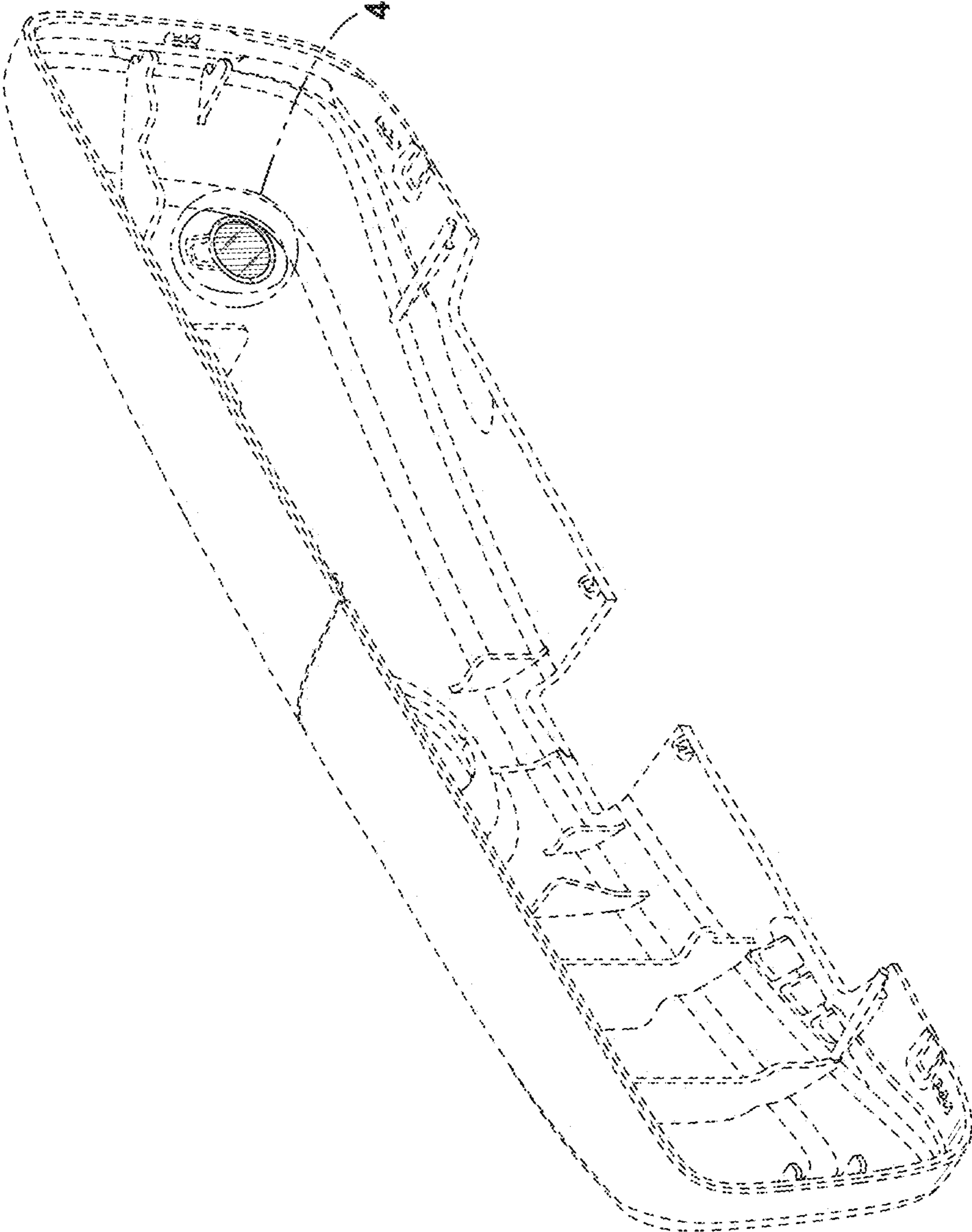


FIG. 3

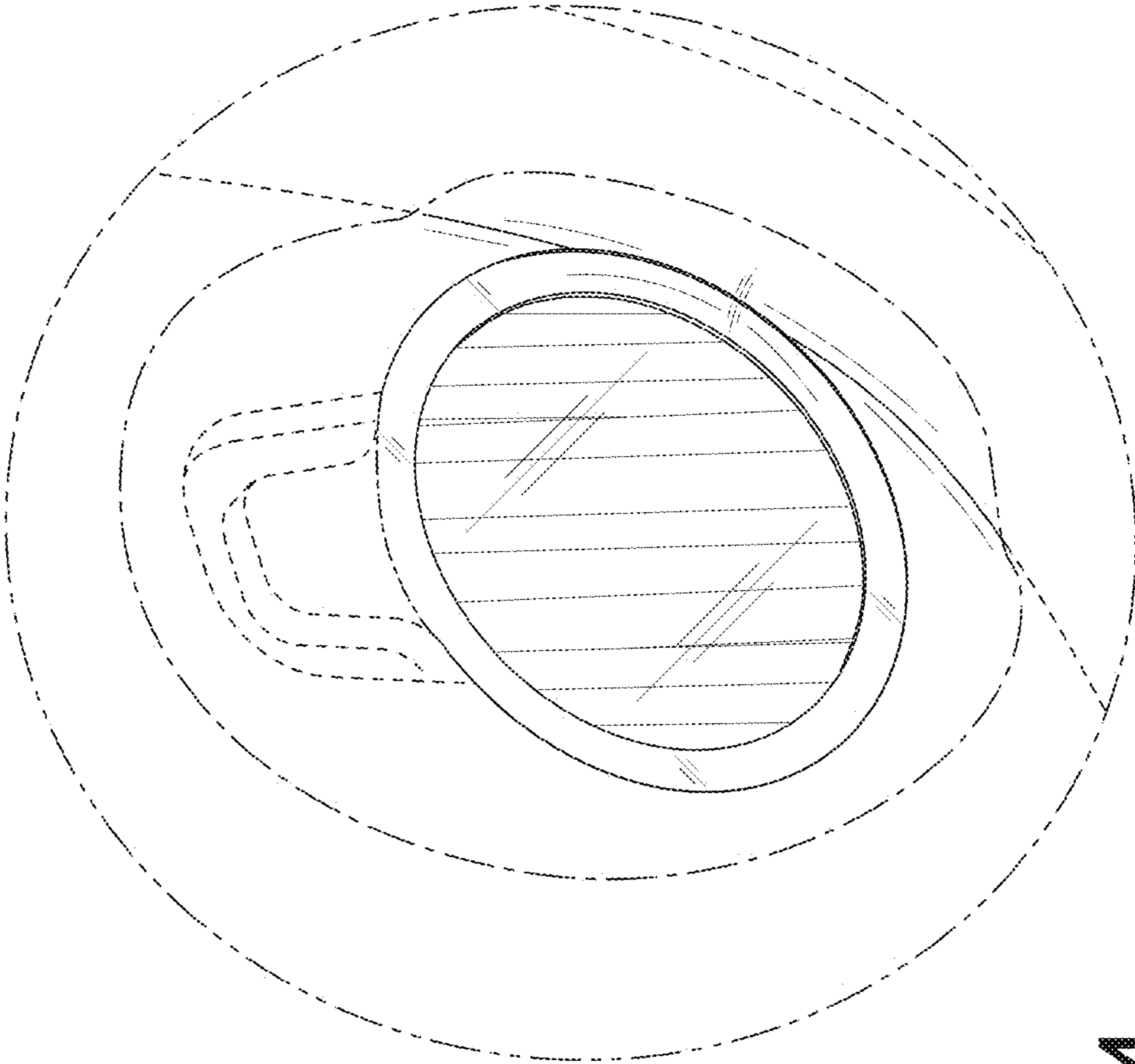


FIG. 4

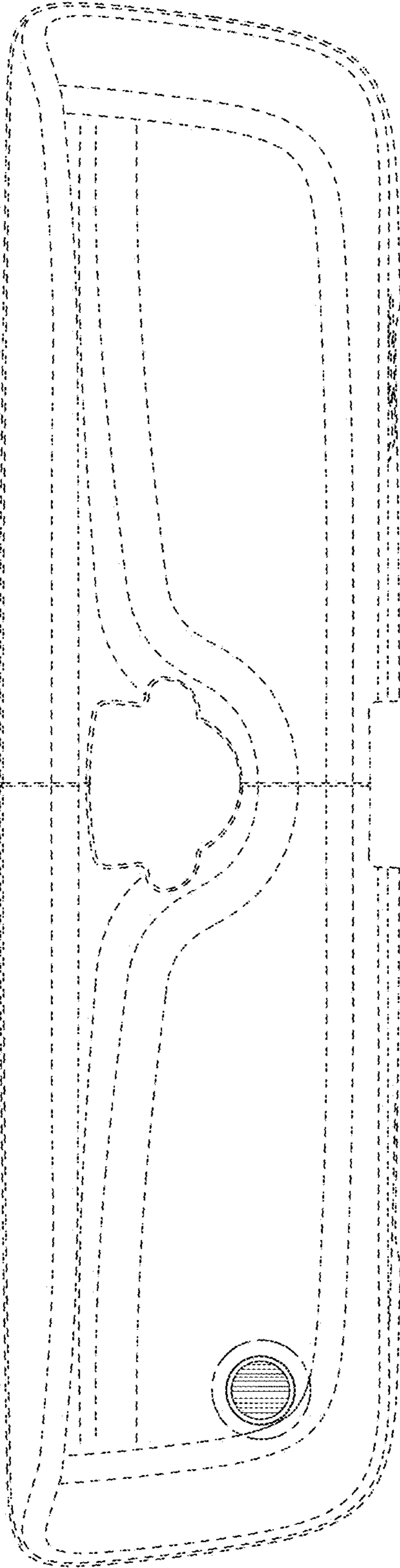


FIG. 5

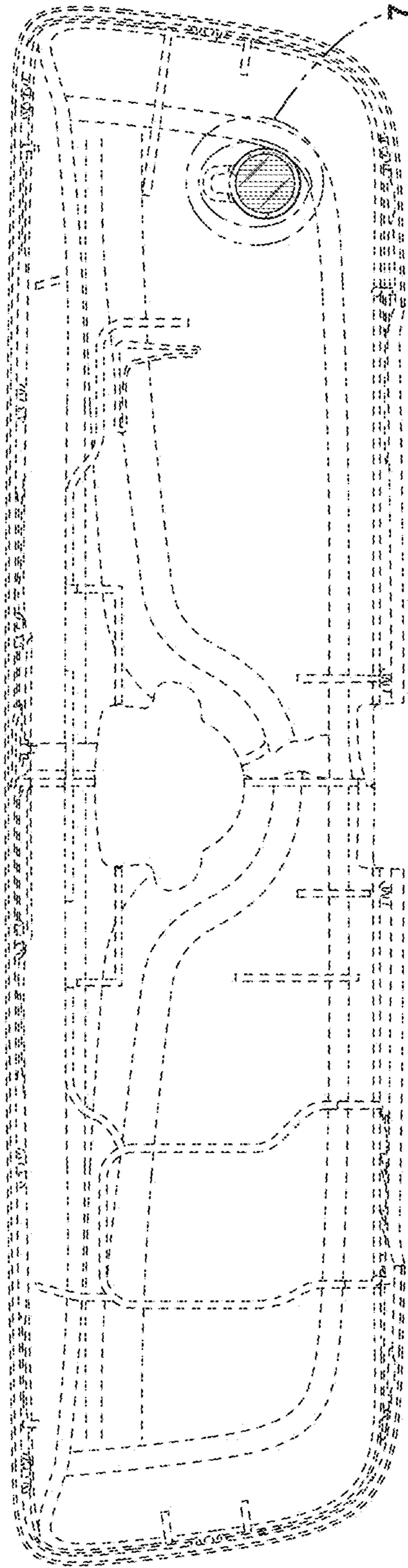


FIG. 6

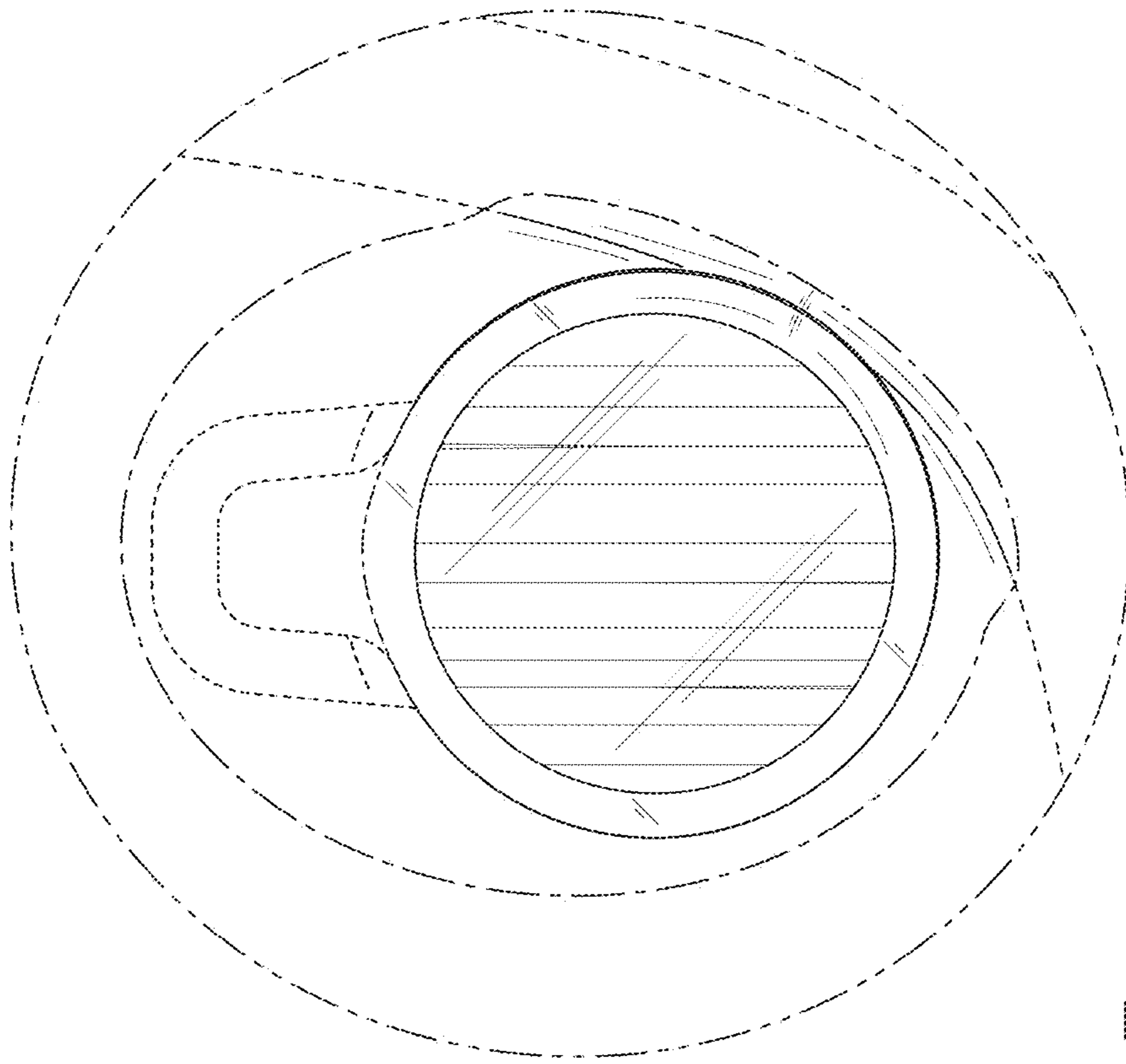


FIG. 7

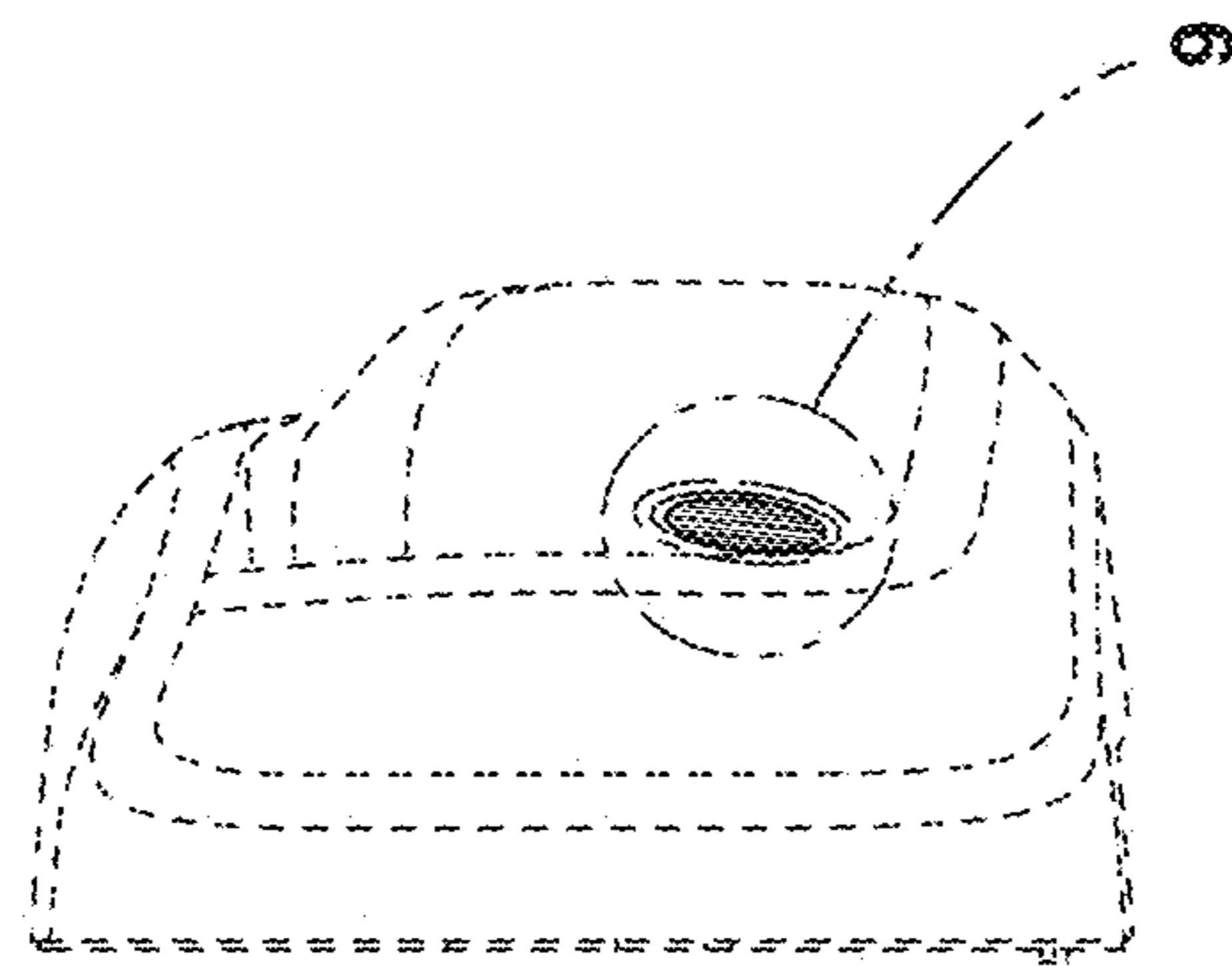


FIG. 8

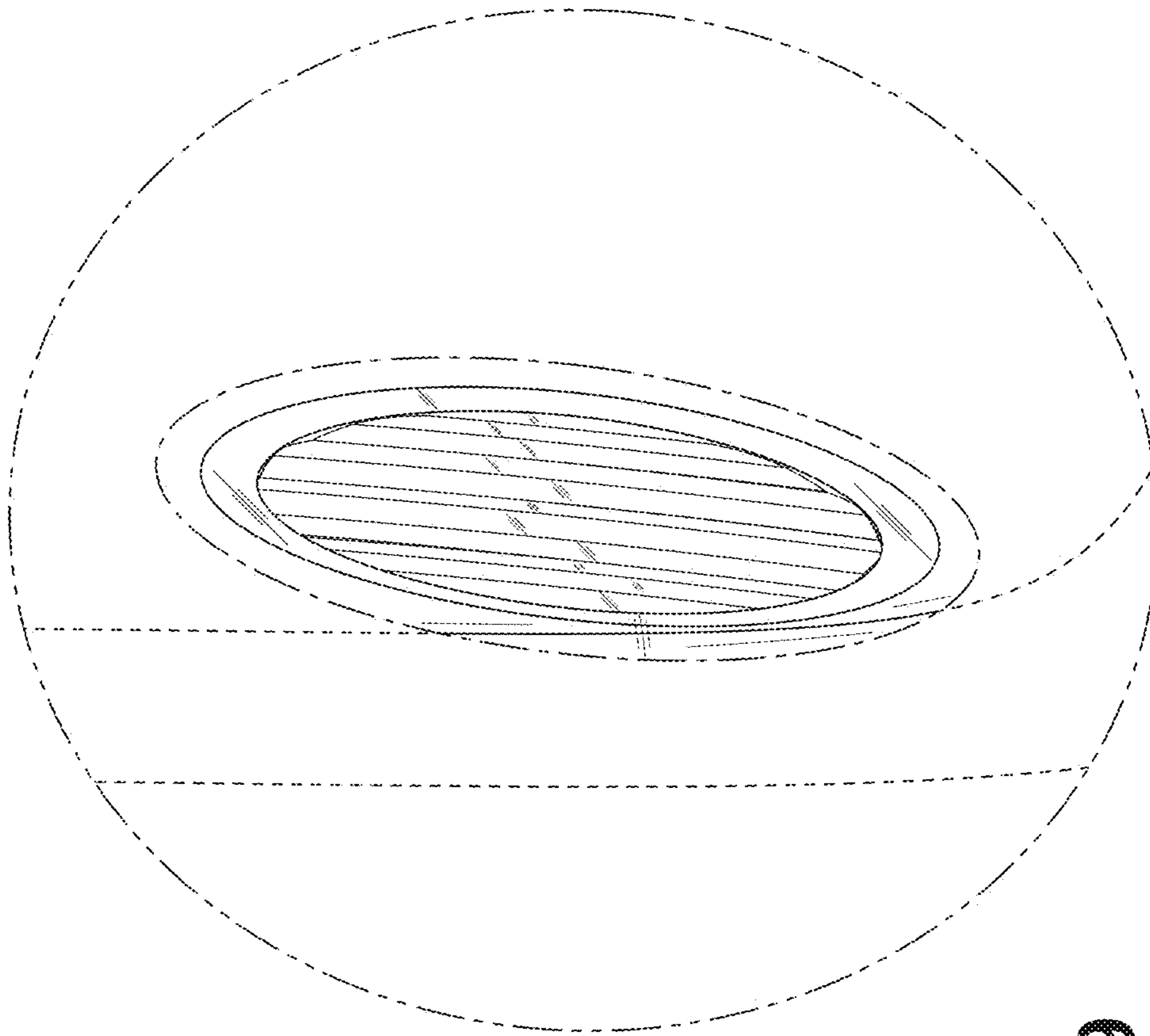


FIG. 9

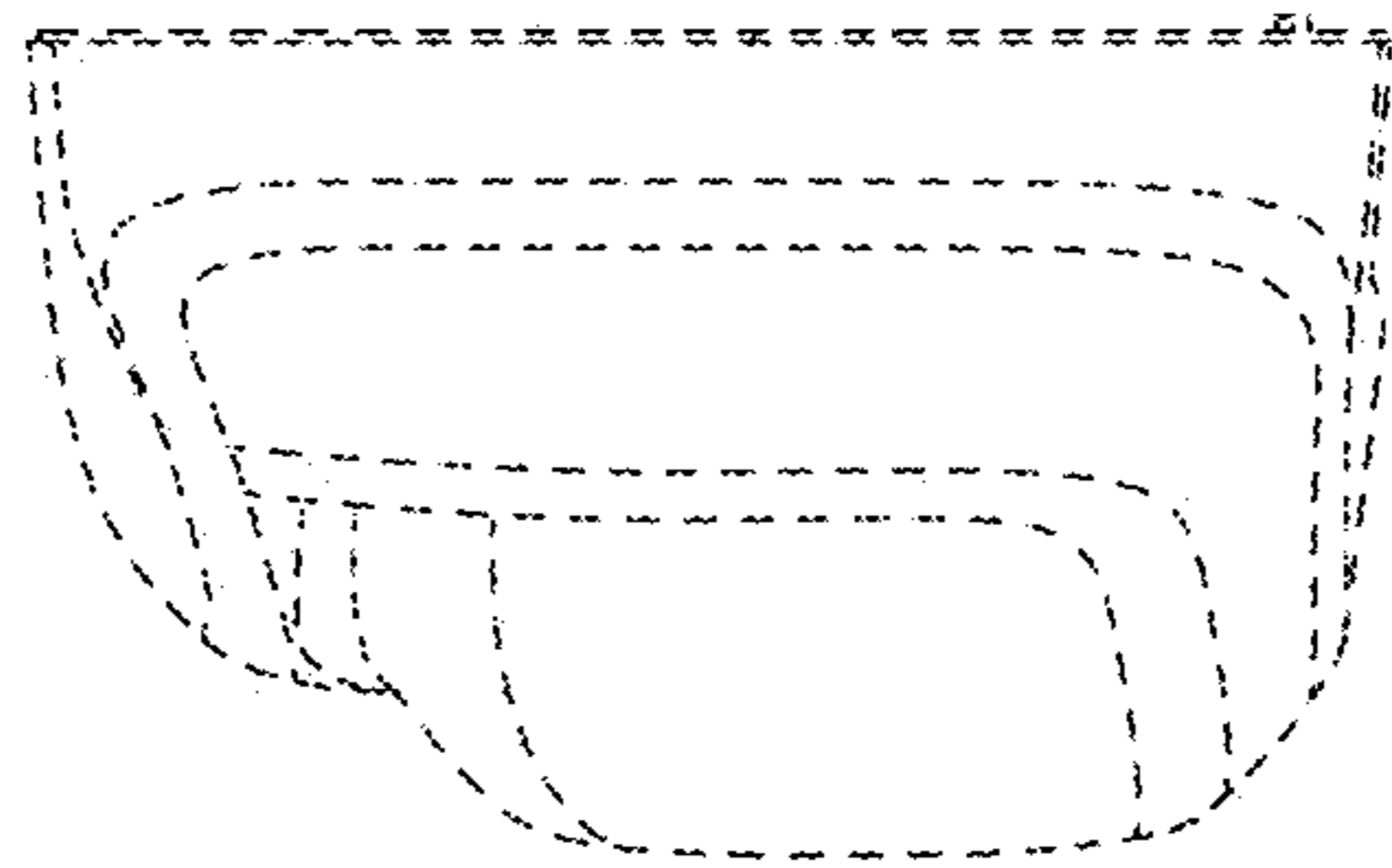


FIG. 10

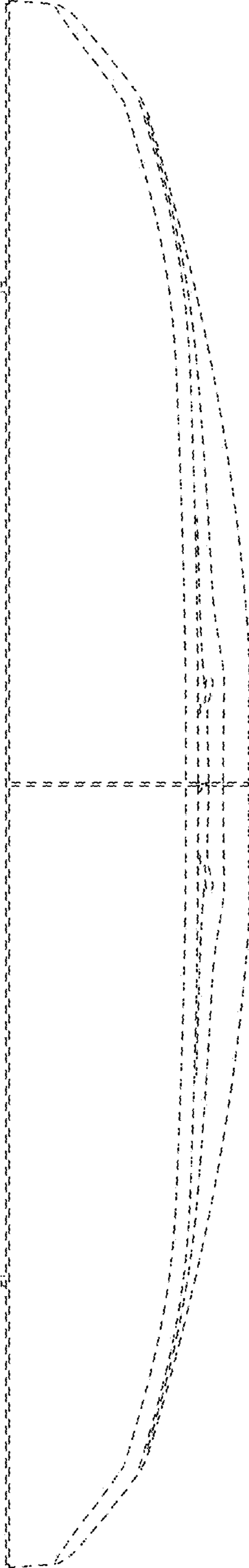


FIG. 11

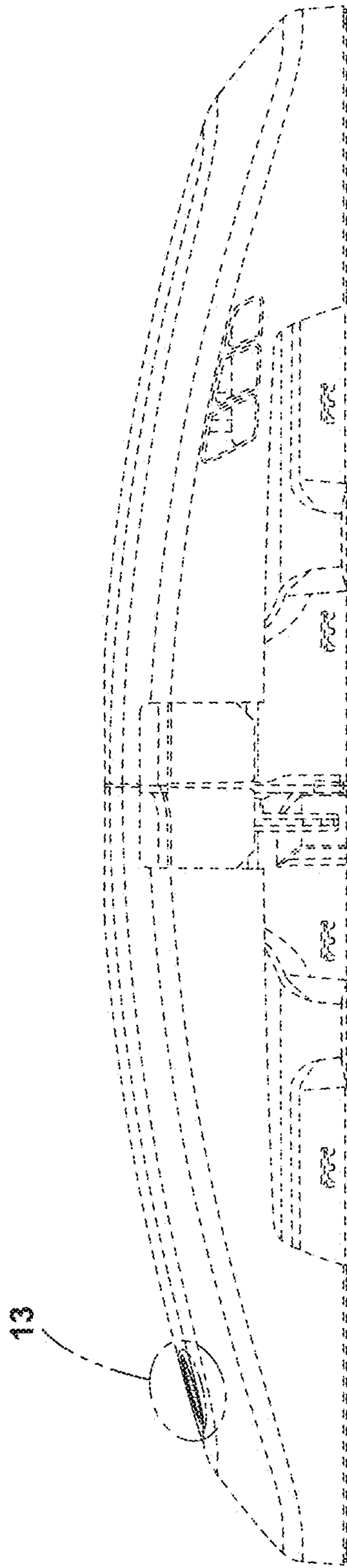


FIG. 12

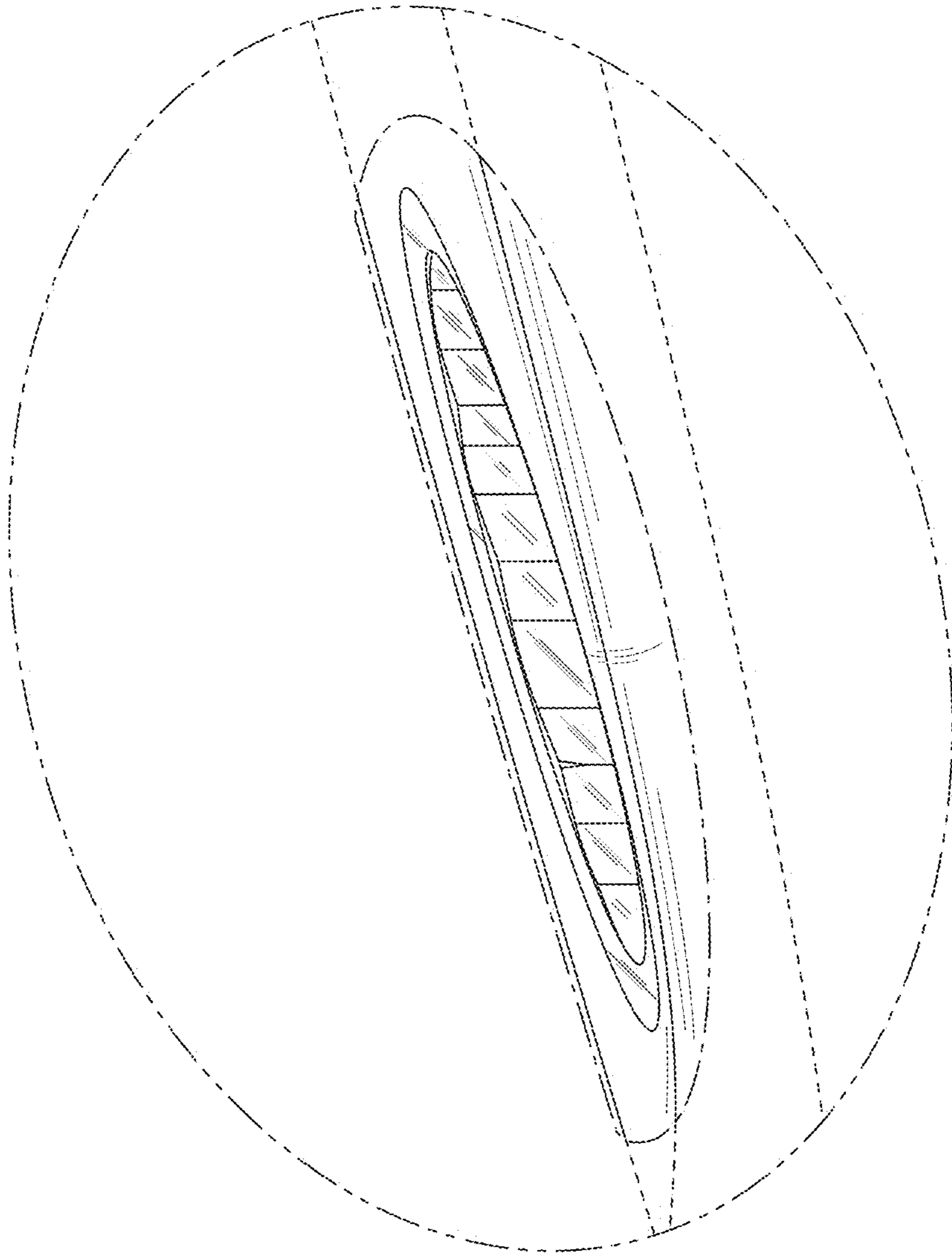


FIG. 13

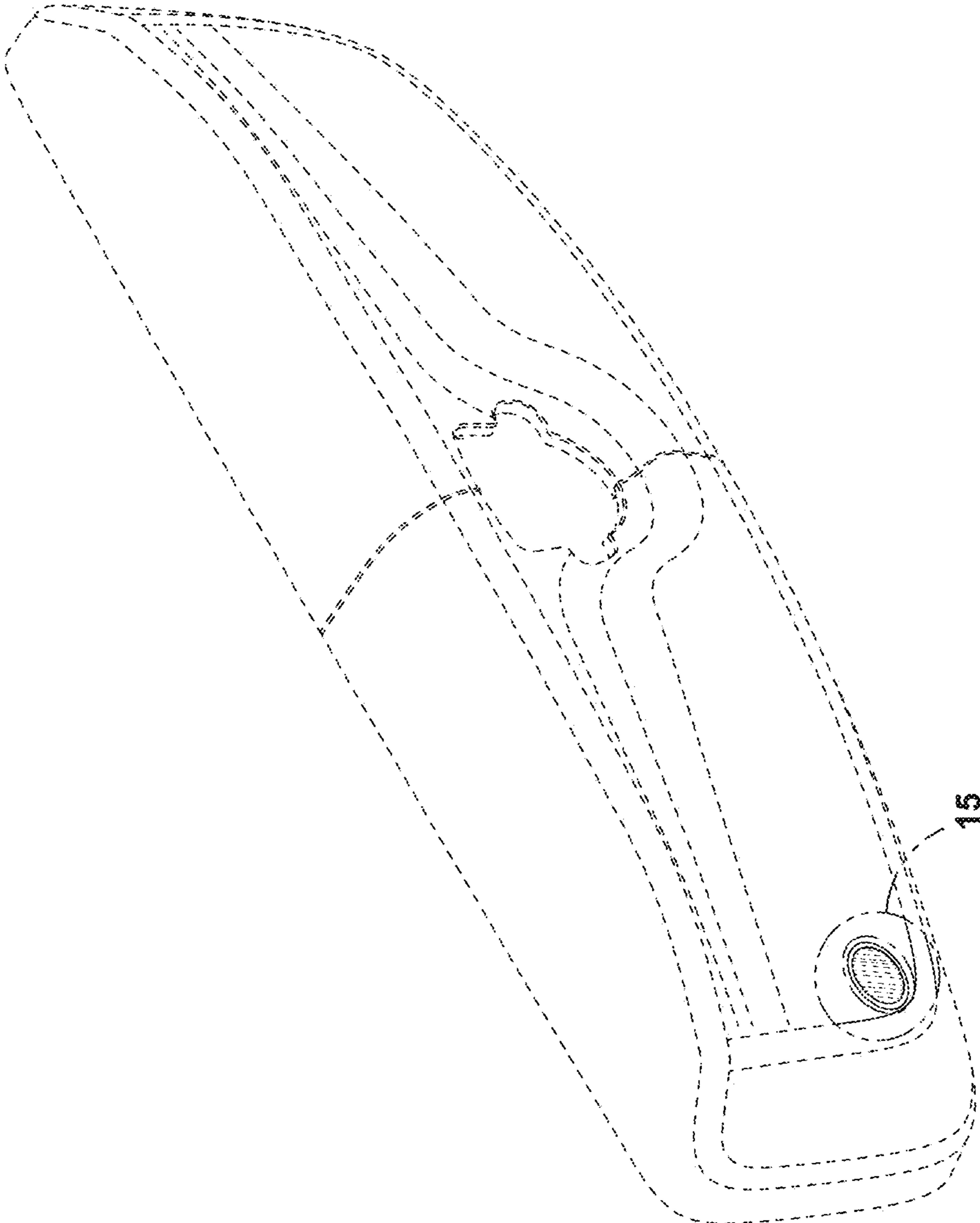


FIG. 14

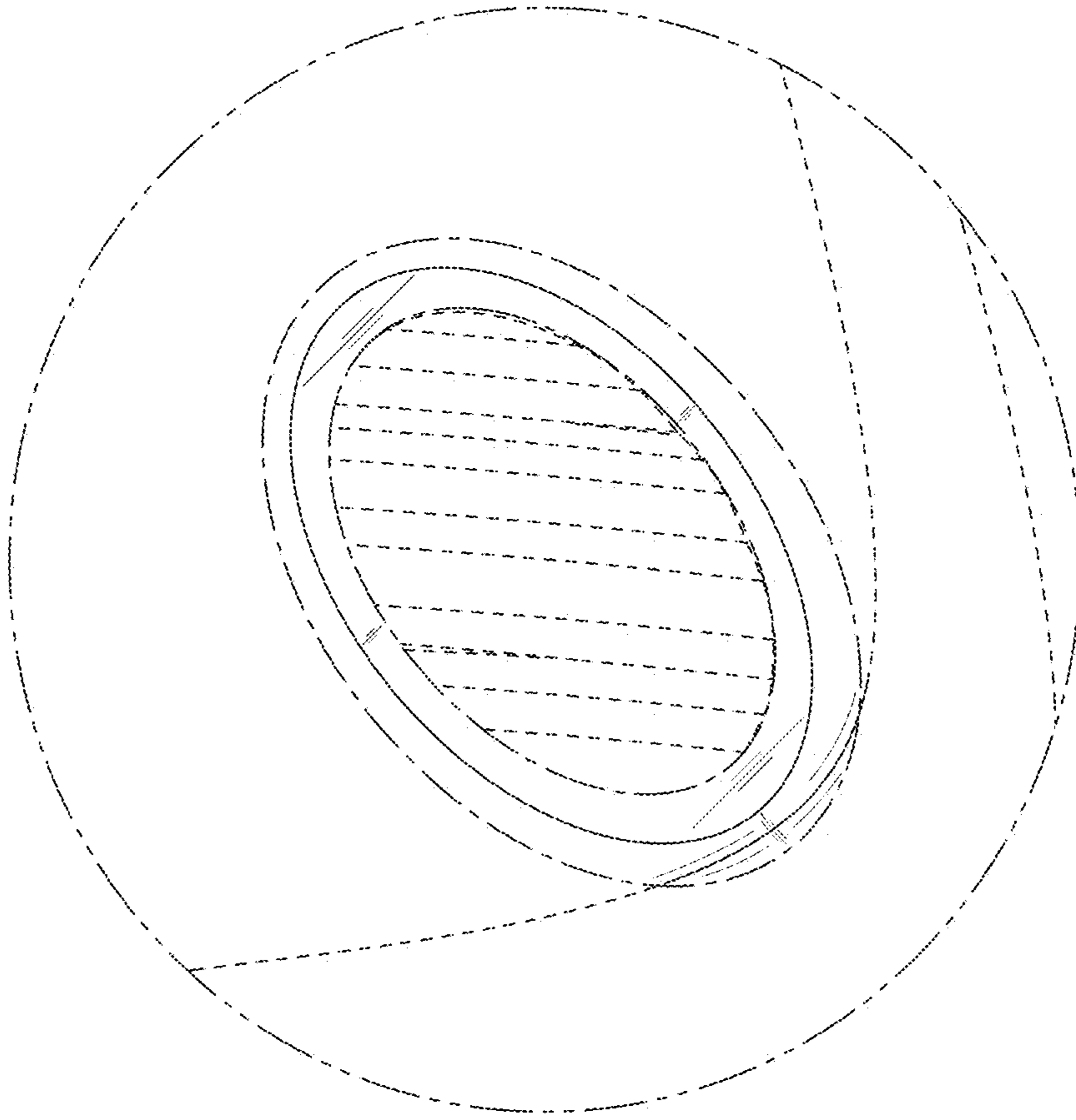


FIG. 15

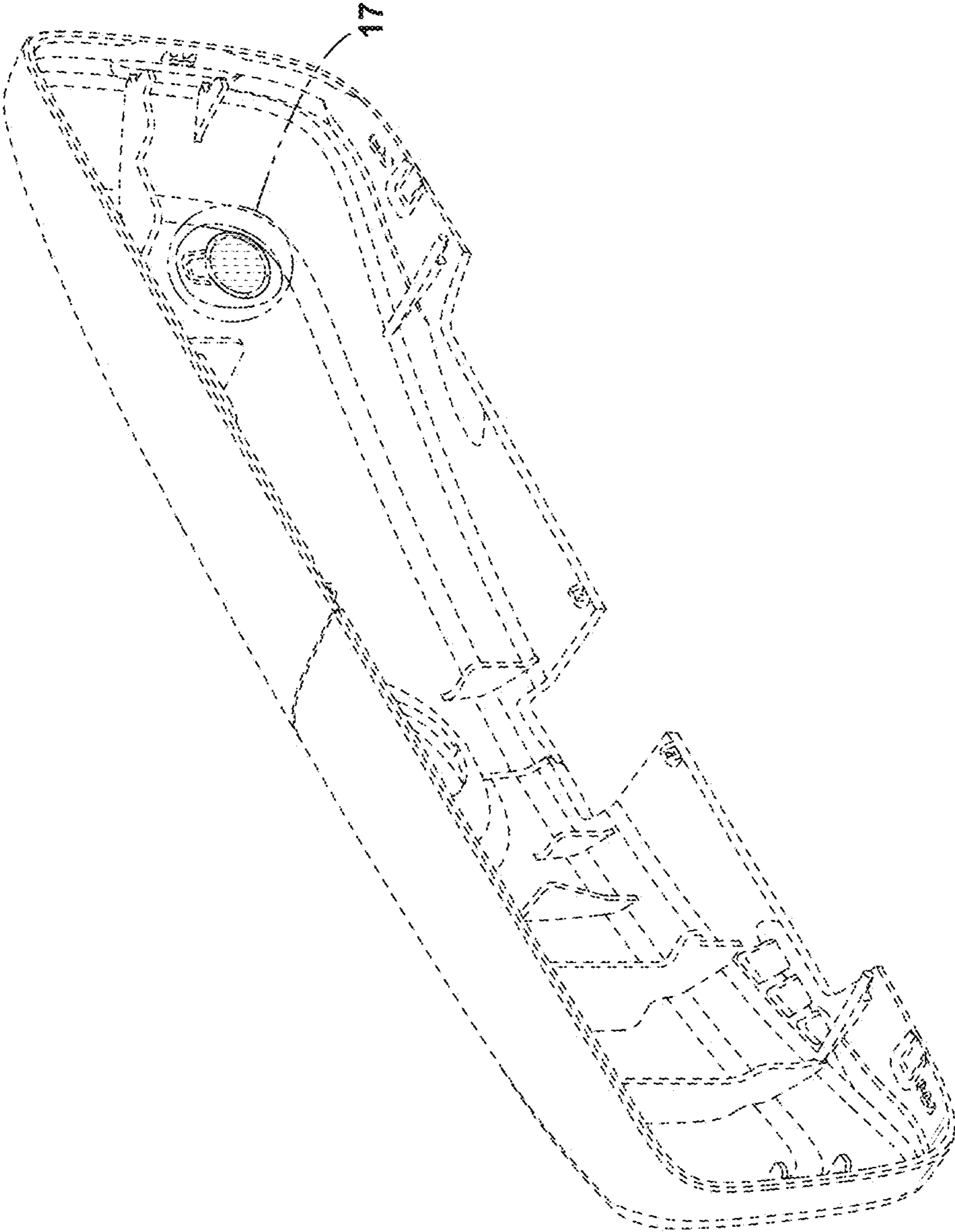


FIG. 16

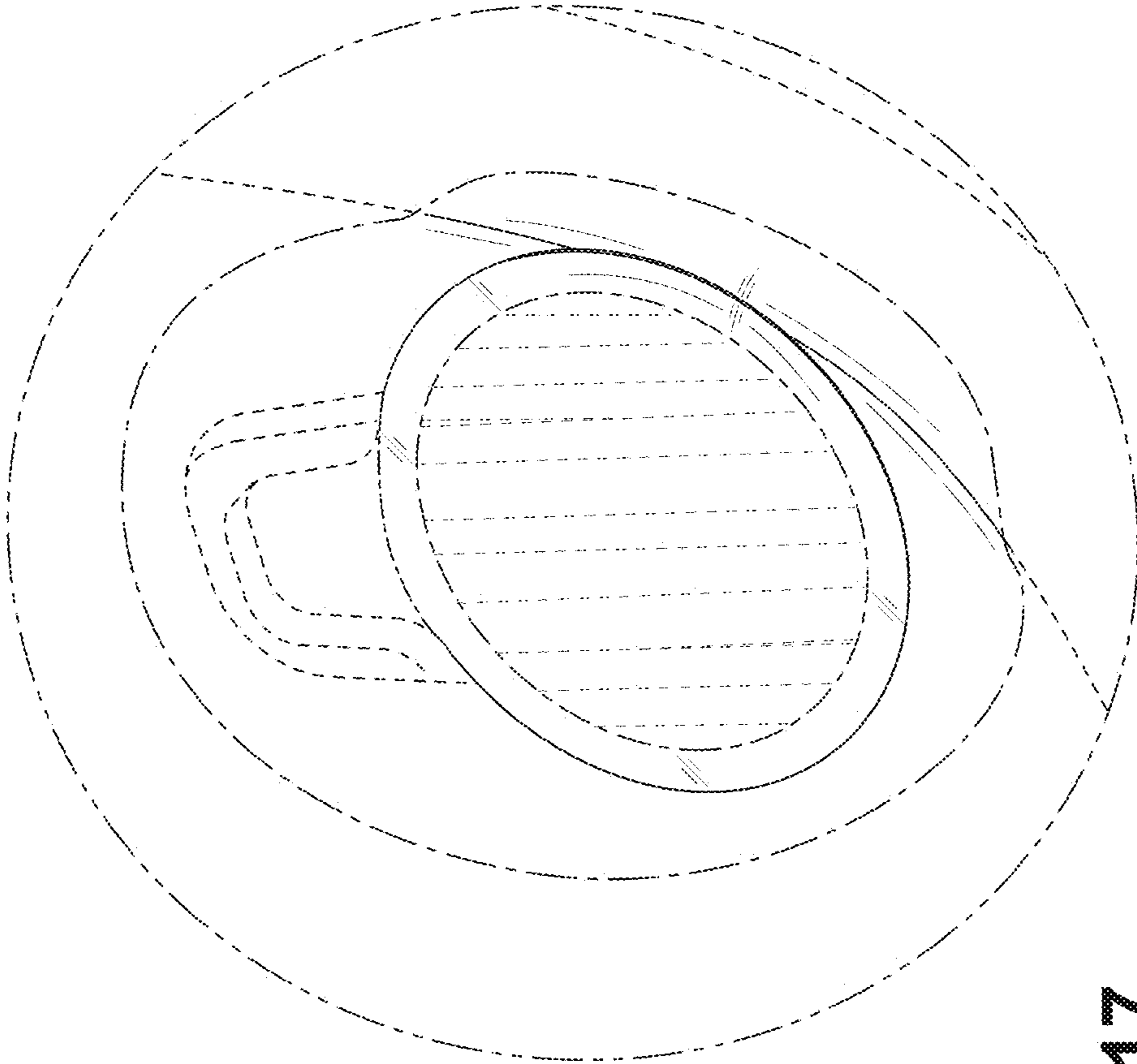


FIG. 17

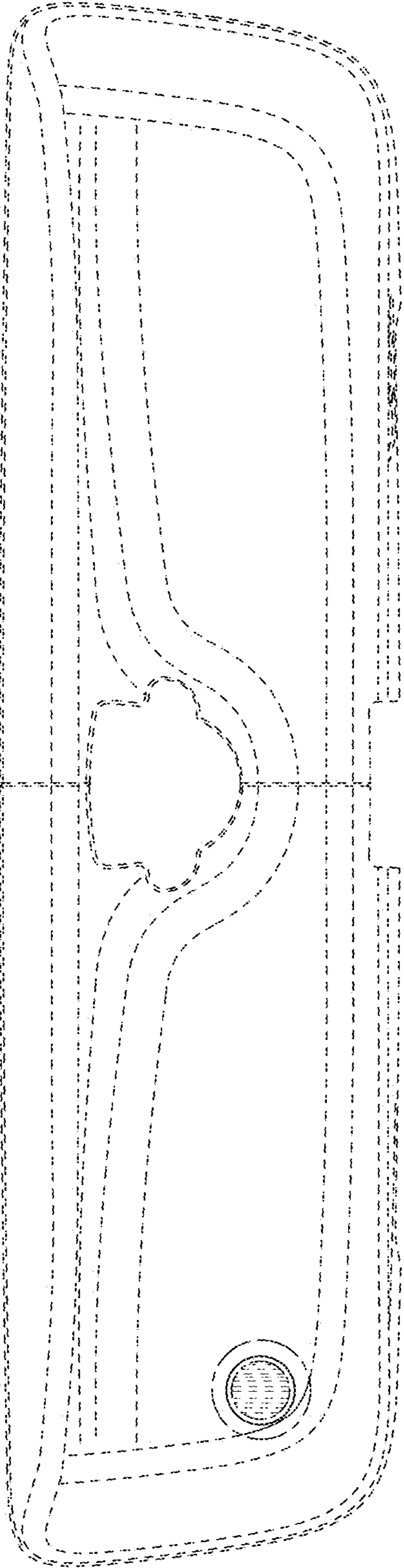


FIG. 18

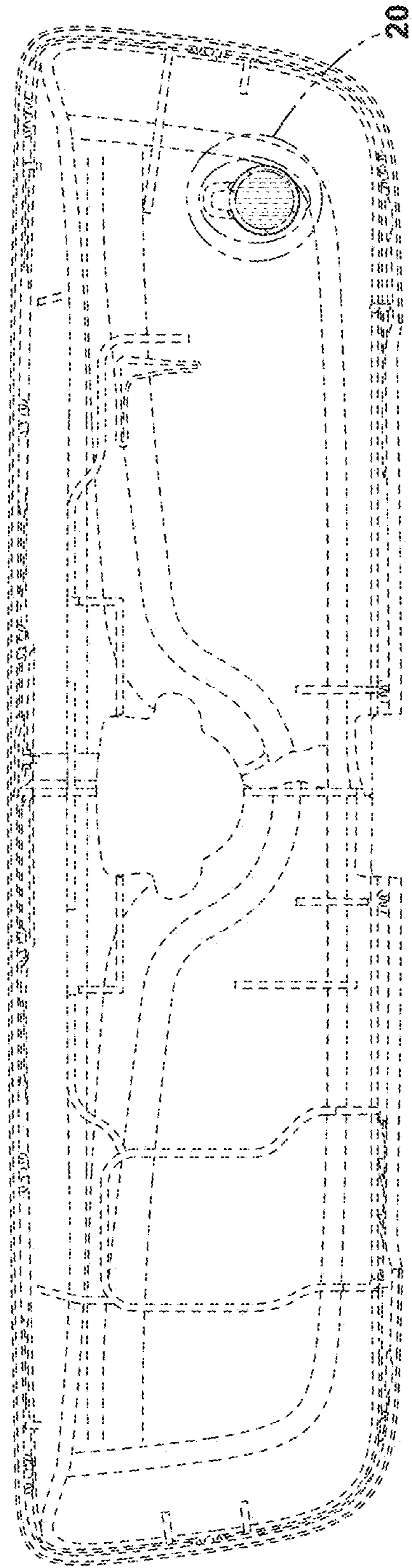


FIG. 19

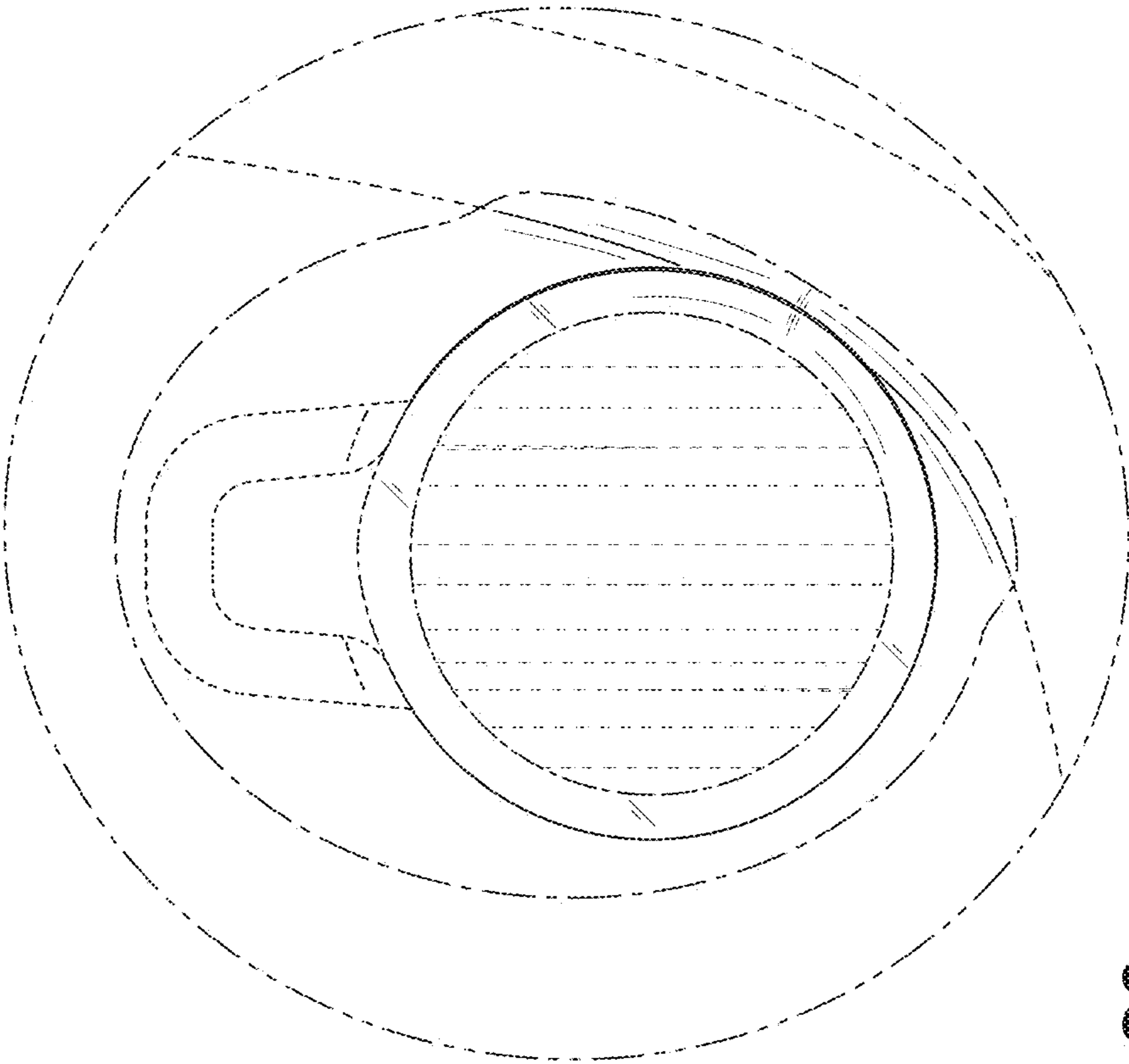


FIG. 20

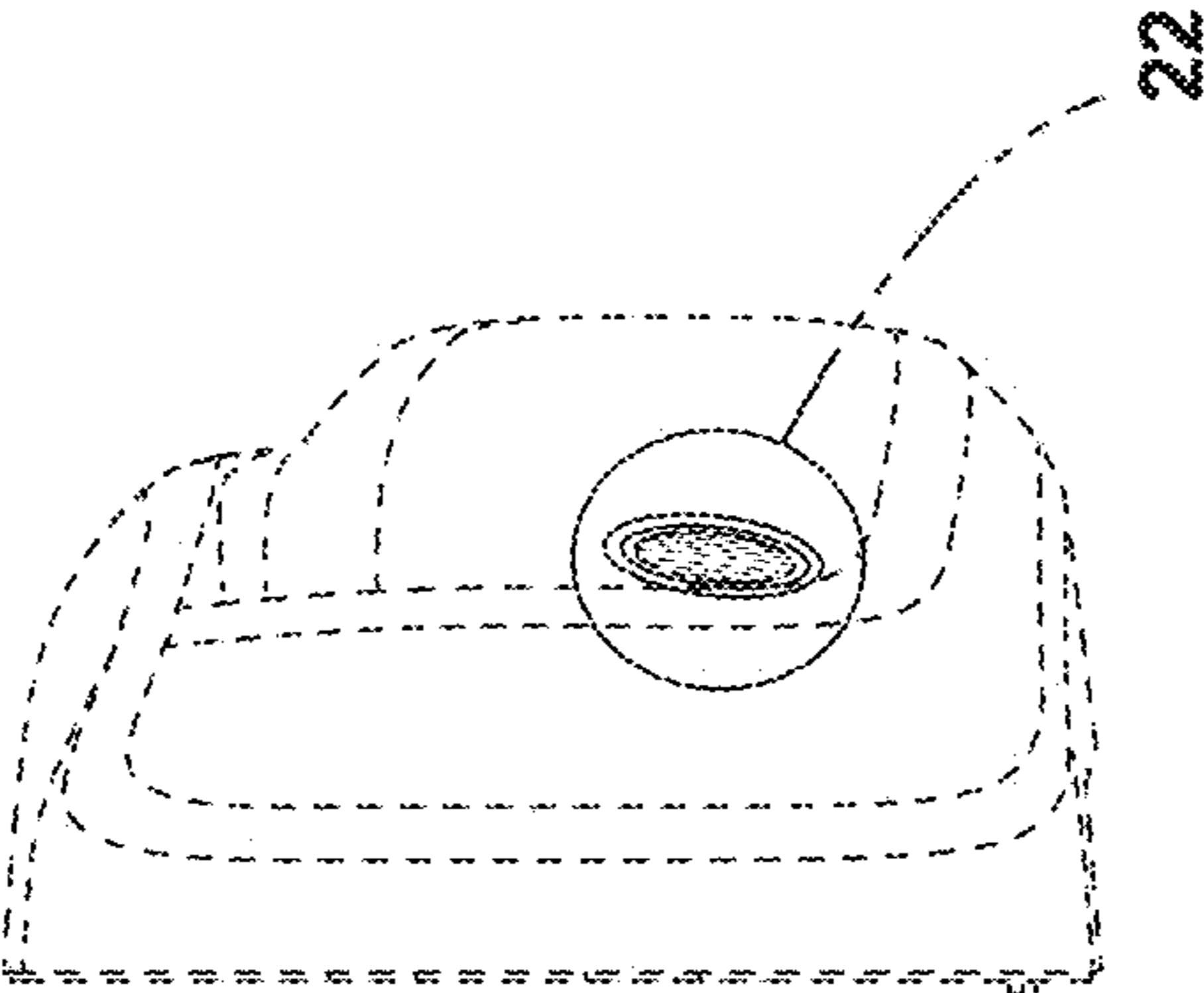


FIG. 21

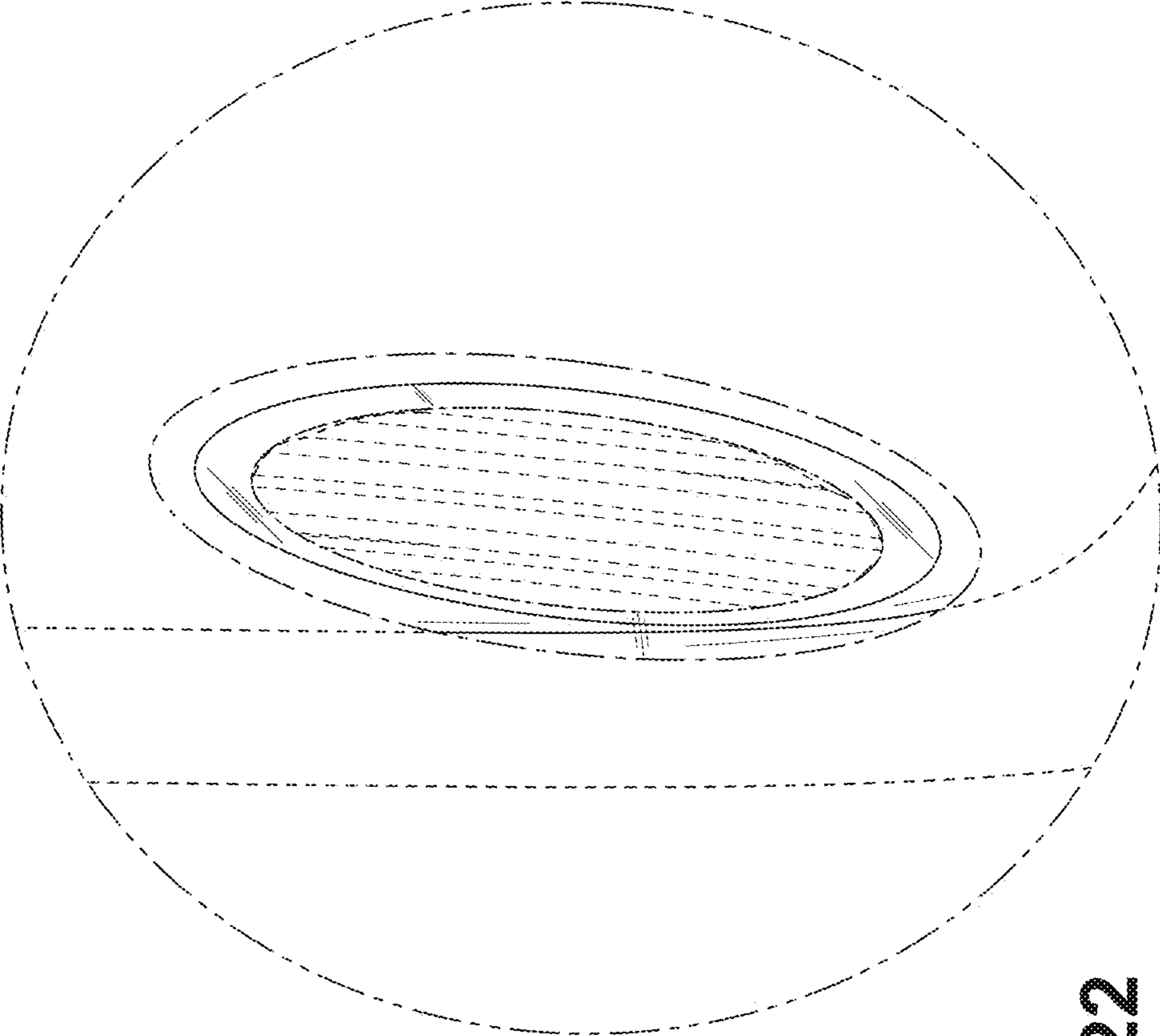


FIG. 22

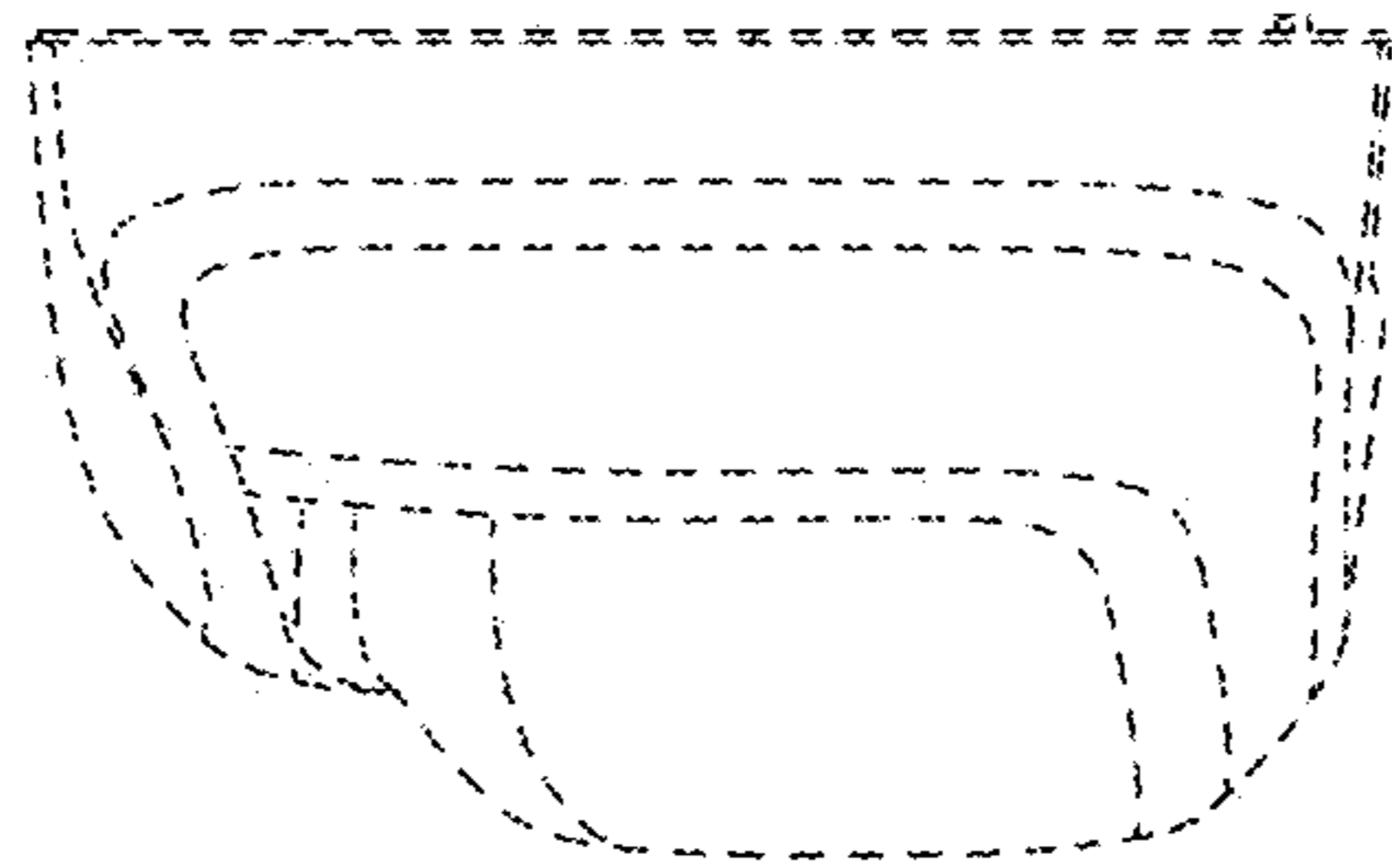


FIG. 23

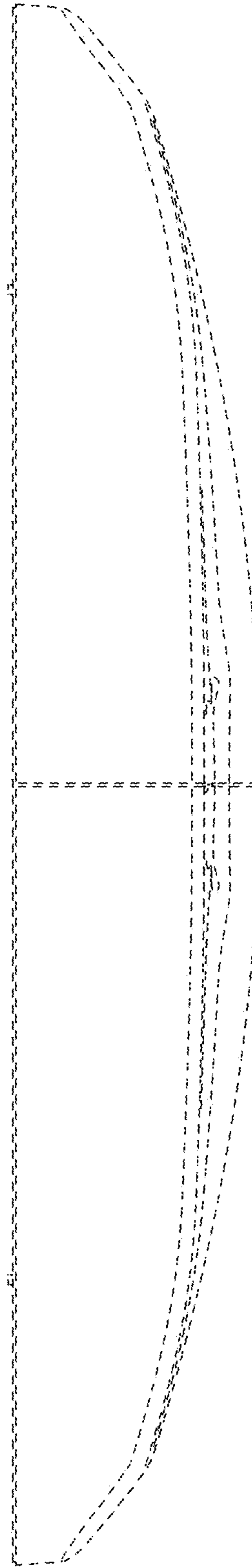


FIG. 24

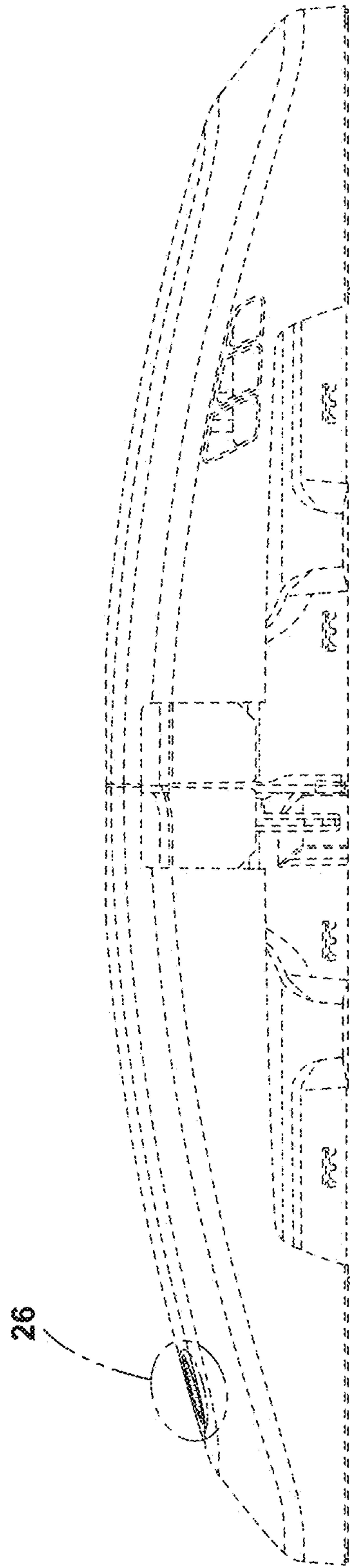


FIG. 25

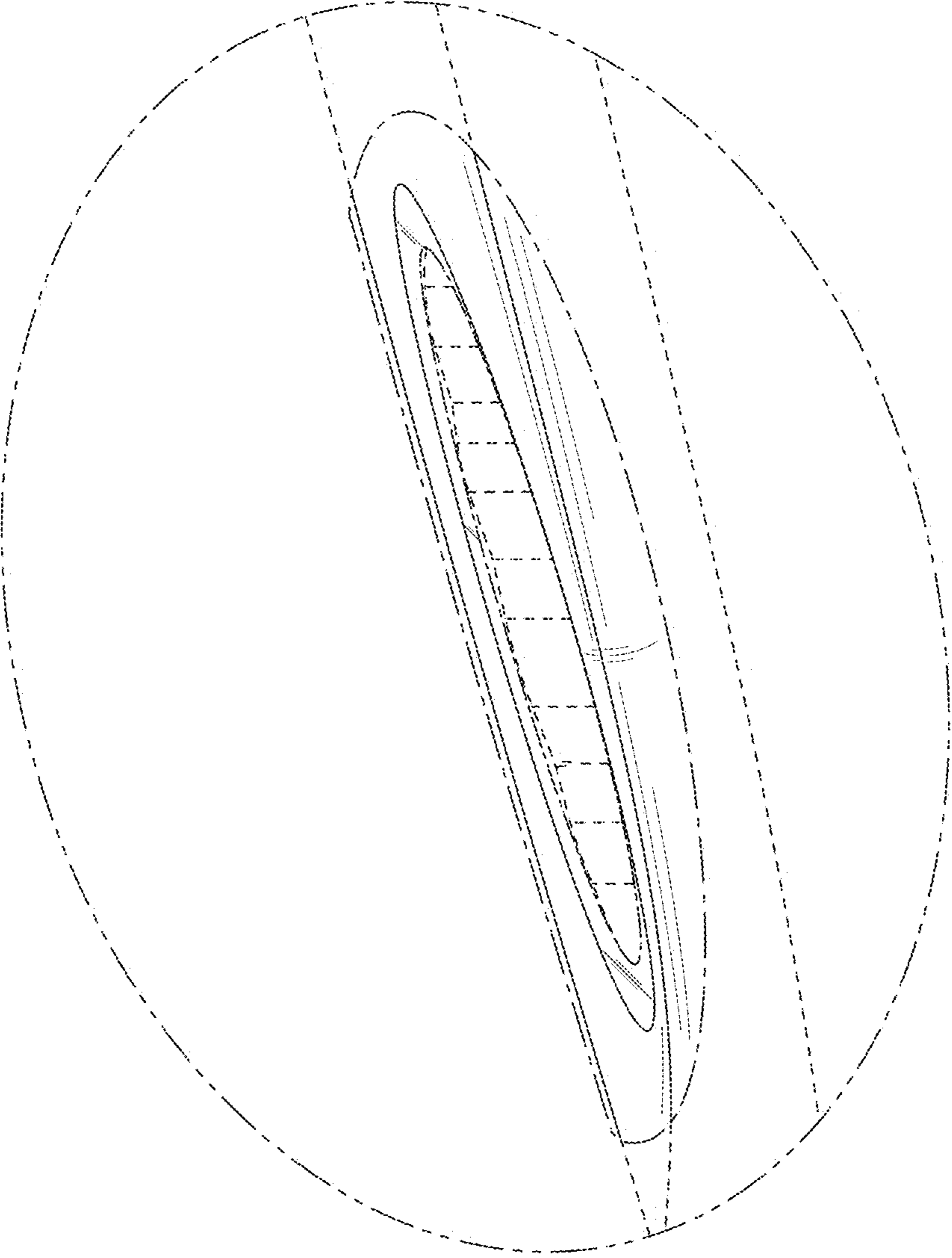


FIG. 26