



US00D945279S

(12) **United States Design Patent**
Xu

(10) **Patent No.:** **US D945,279 S**
(45) **Date of Patent:** **** Mar. 8, 2022**

(54) **ALARM CLOCK**

(71) Applicant: **Jian Xu**, Shenzhen (CN)

(72) Inventor: **Jian Xu**, Shenzhen (CN)

(73) Assignee: **SHENZHEN MOSSLOO INDUSTRIAL CO., LTD**, Shenzhen (CN)

(**) Term: **15 Years**

(21) Appl. No.: **29/730,043**

(22) Filed: **Apr. 1, 2020**

(51) **LOC (13) Cl.** **10-01**

(52) **U.S. Cl.**
USPC **D10/15; D10/2; D14/171**

(58) **Field of Classification Search**
USPC D10/1-4, 6, 15, 21-25, 27-29;
D14/170-172, 203.1, 204
CPC G04G 13/00; G04G 13/02; G04G 13/021;
G04G 13/028; G04G 17/00; G04G 17/08;
G04G 17/086; G04G 21/00; G04G 21/08
See application file for complete search history.

(56) **References Cited**

U.S. PATENT DOCUMENTS

D359,285 S *	6/1995	Niblett	D14/170
D542,772 S *	5/2007	Shimizu	D14/171
D556,732 S *	12/2007	Chan	D14/168
D583,358 S *	12/2008	Joseph	D10/2
D622,258 S *	8/2010	Joseph	D14/171
D656,919 S *	4/2012	Skurdal	D14/171
D659,552 S *	5/2012	Nielsen, Sr	D10/2
D659,670 S *	5/2012	Goetzen	D14/194
D688,230 S *	8/2013	Yoneya	D14/214
D708,228 S *	7/2014	Fustino	D14/496
D709,856 S *	7/2014	Holzer	D14/171

D859,181 S *	9/2019	Poandl	D10/2
D889,284 S *	7/2020	Yu	D10/1
D938,285 S *	12/2021	Bai	D10/15
2013/0273869 A1 *	10/2013	Parker	G04B 47/00 455/269

OTHER PUBLICATIONS

W Digital Clock and Qi Wireless PhonePods Charger Bluetooth Speaker | amazon.com; date first avail Nov. 2020 [online], © 1996-2021, Amazon.com, Inc [retrieved Dec. 17, 2021] from Internet: <<https://www.amazon.com/Wireless-Bluetooth-Thermometer-Qi-Certified-Compatible/dp/B08MWN8R1Q>> (Year: 2020).*
Orotec NexGen Smart Wireless Charger Alarm Clock | kogan.com; no posting date [online], [retrieved Dec. 17, 2021] from Internet: <<https://www.kogan.com/au/buy/orotec-orotec-nexgen-smart-wireless-alarm-clock-bluetooth-speaker-fm-radio-temperature-display-mh-d69/>> (Year: 2021).*

* cited by examiner

Primary Examiner — Katherine Glennon

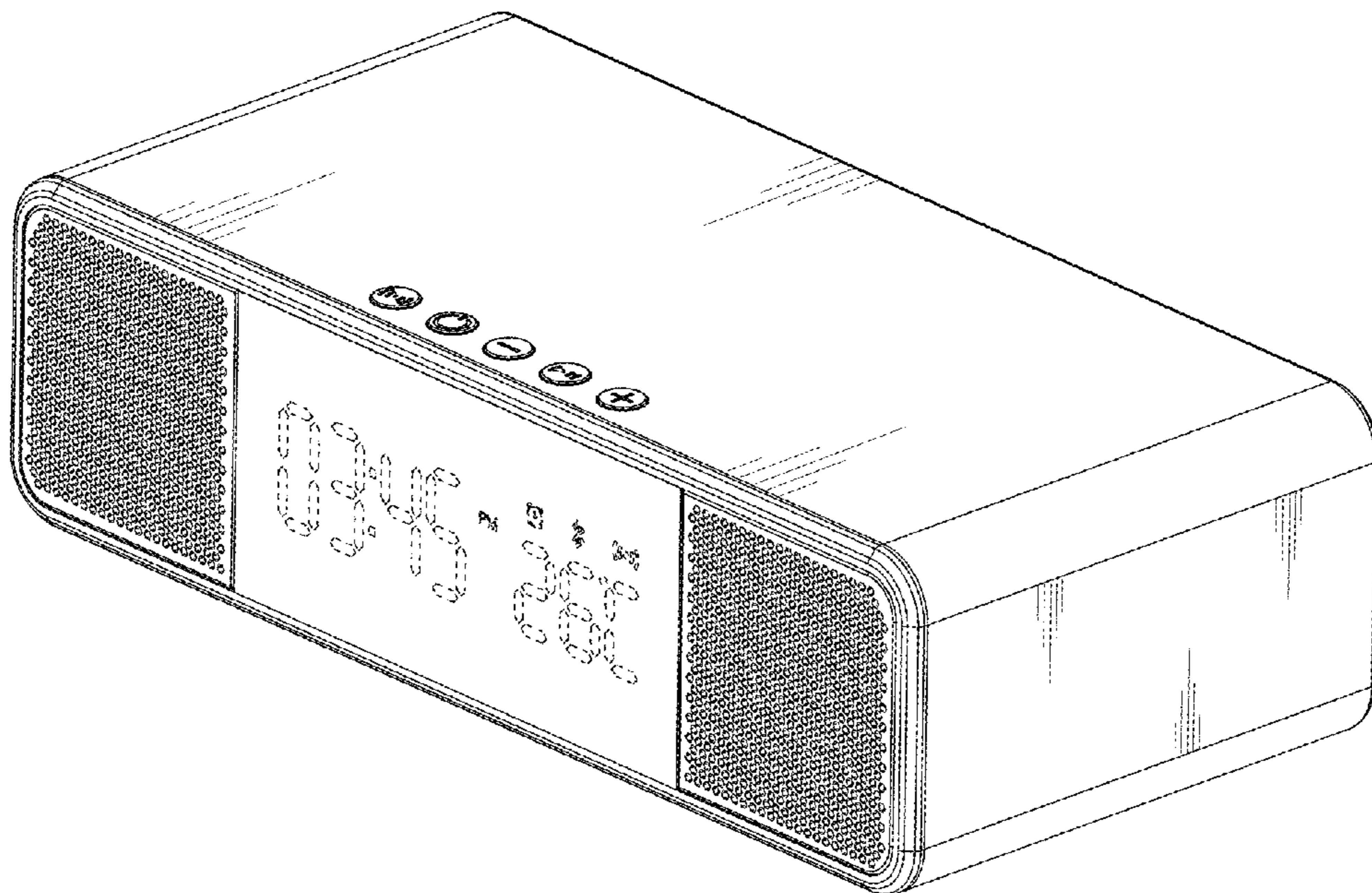
(57) **CLAIM**

The ornamental design for an alarm clock, as shown and described.

DESCRIPTION

FIG. 1 is a top, front perspective view of an alarm clock showing my new design;
FIG. 2 is a bottom, rear perspective view thereof;
FIG. 3 is a front elevational view thereof;
FIG. 4 is a rear elevational view thereof;
FIG. 5 is a left side elevational view thereof;
FIG. 6 is a right side elevational view thereof;
FIG. 7 is a top plan view thereof; and,
FIG. 8 is a bottom plan view thereof.
The broken lines in the figures depict the portions of the alarm clock that form no part of the claimed design.

1 Claim, 8 Drawing Sheets



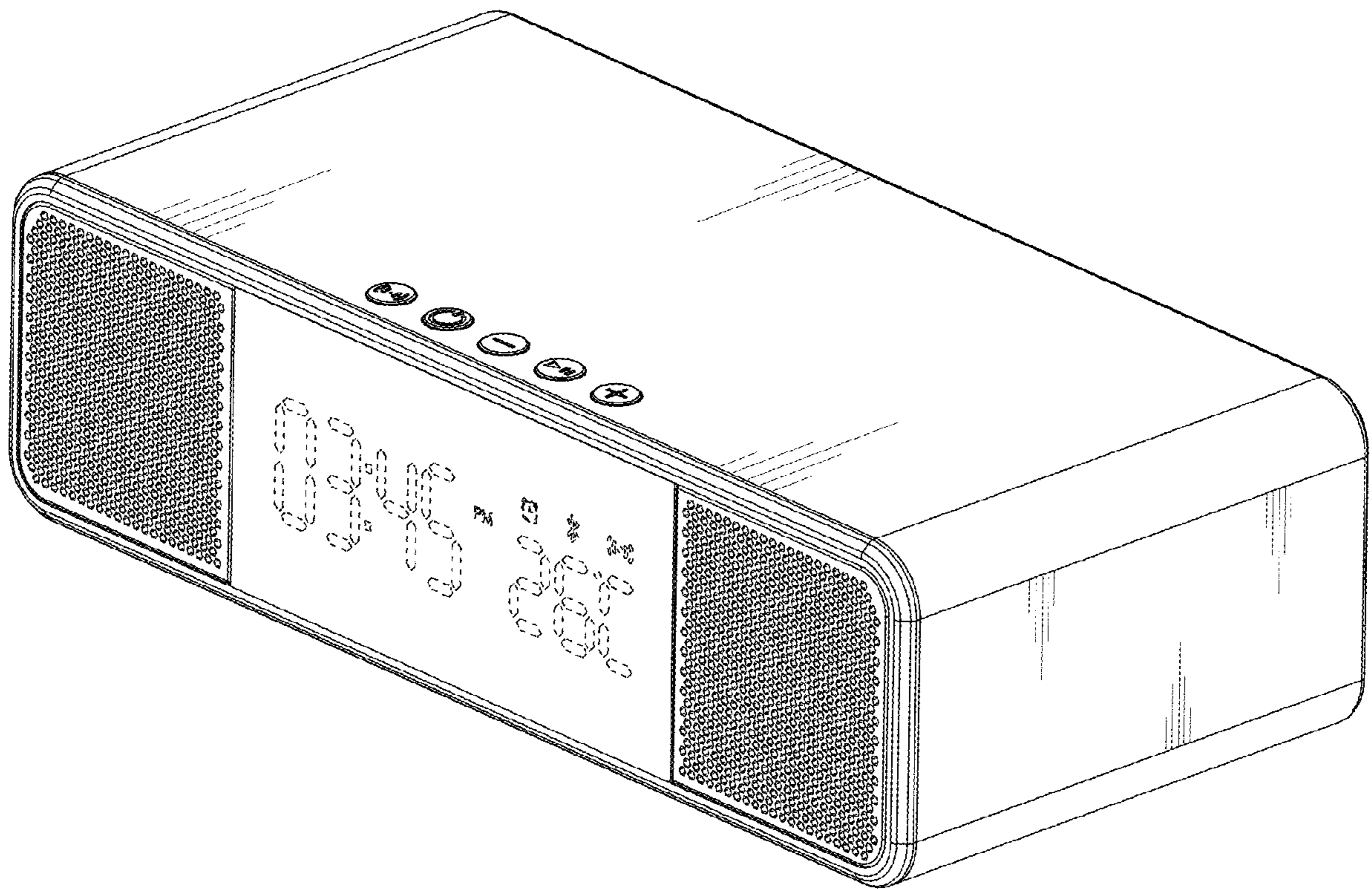


FIG. 1

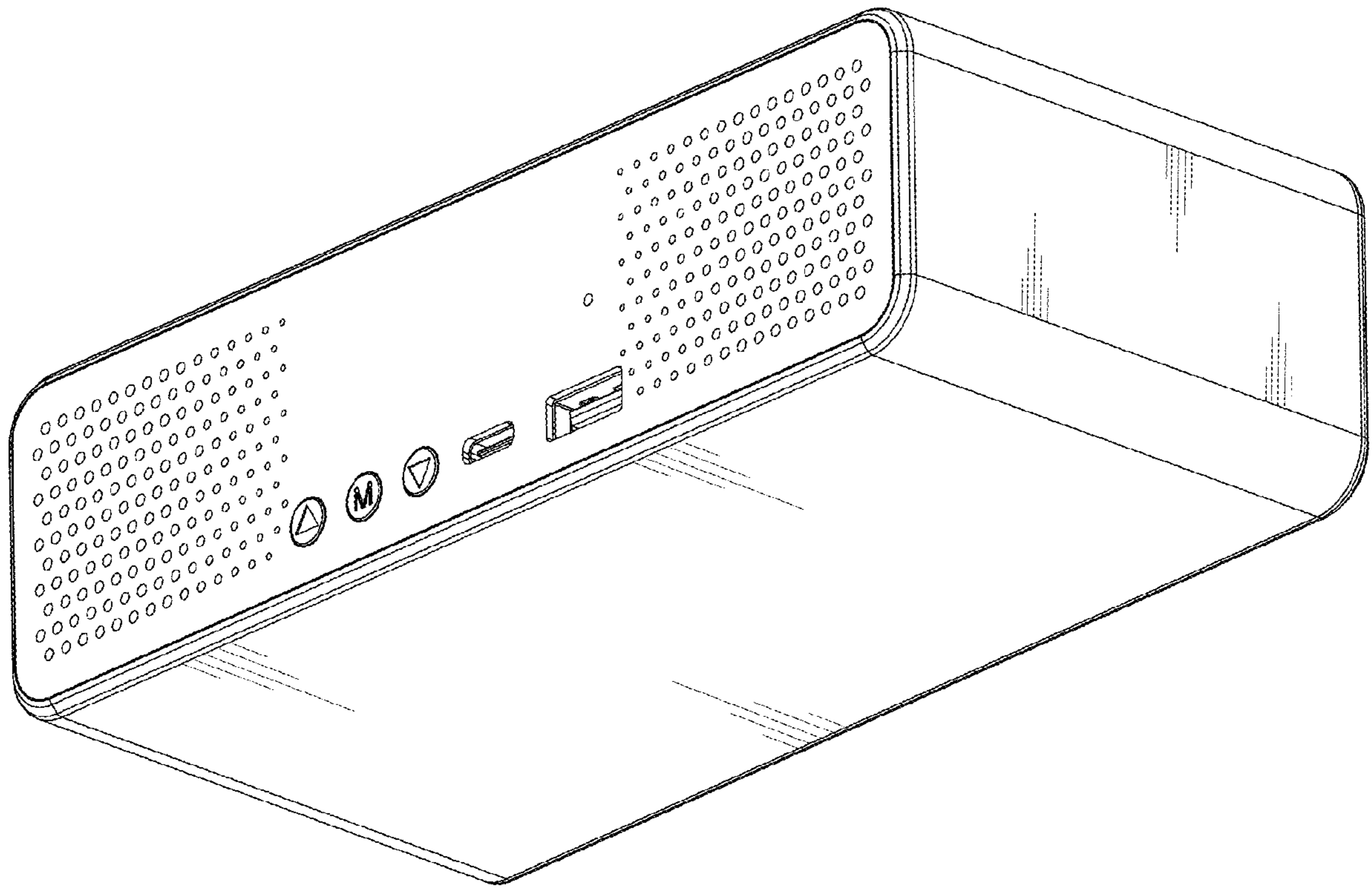


FIG. 2

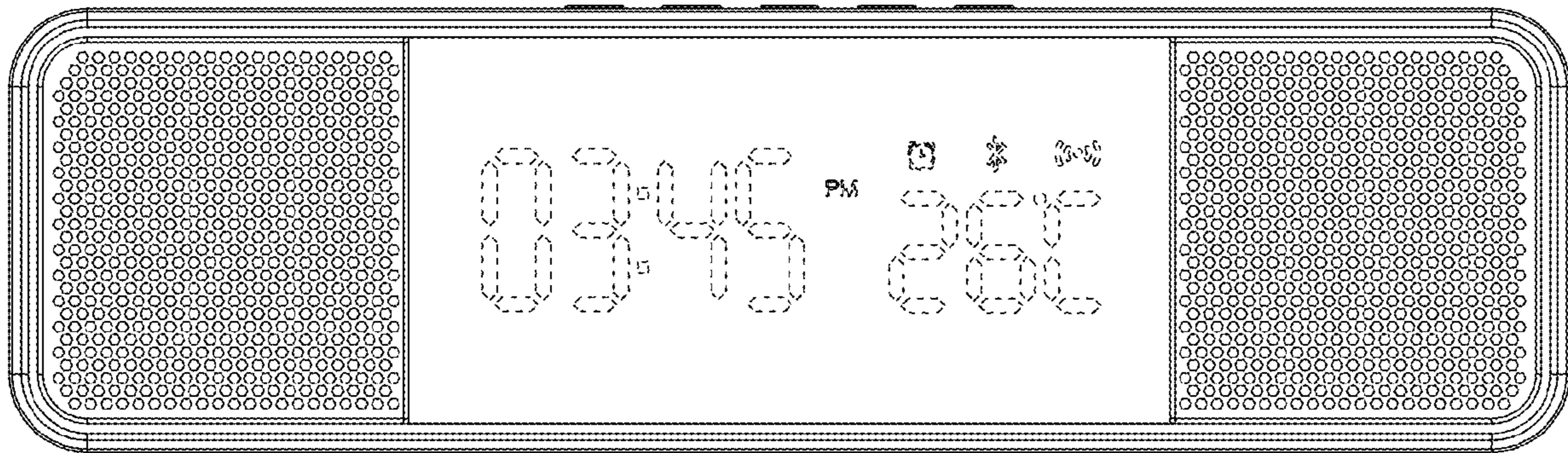


FIG. 3

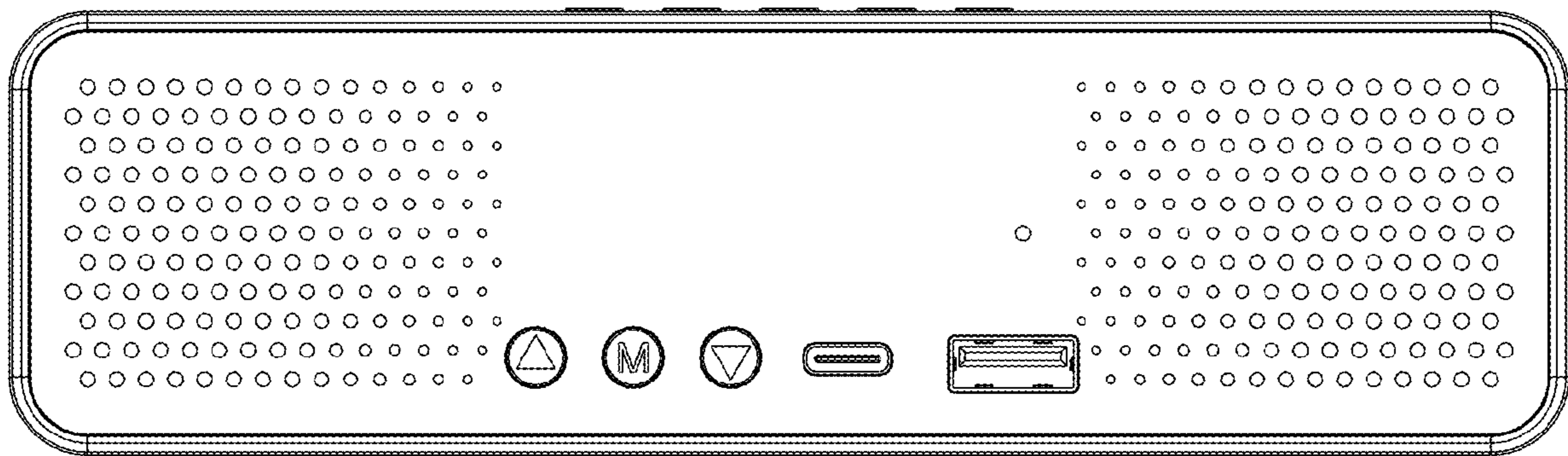


FIG. 4

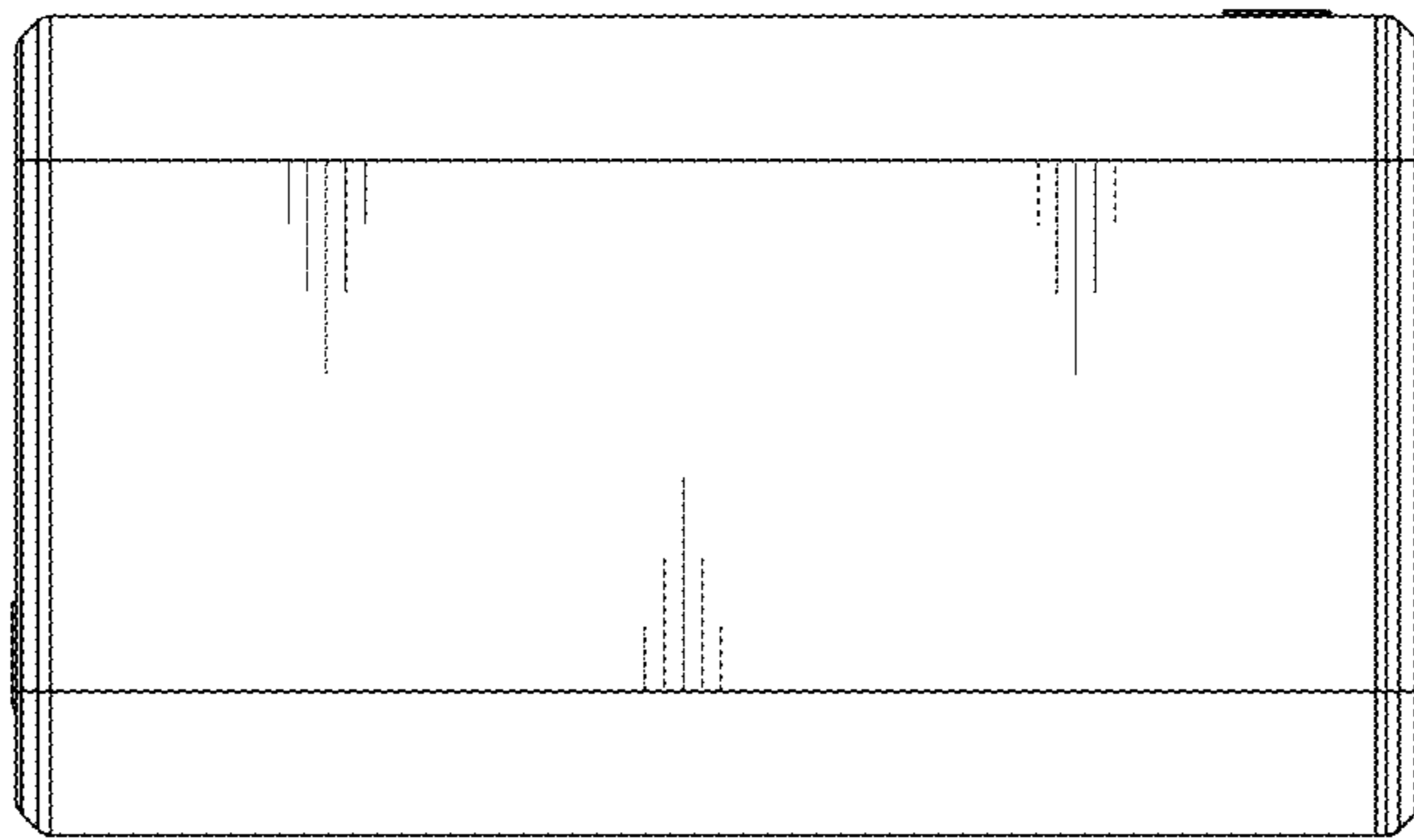


FIG. 5

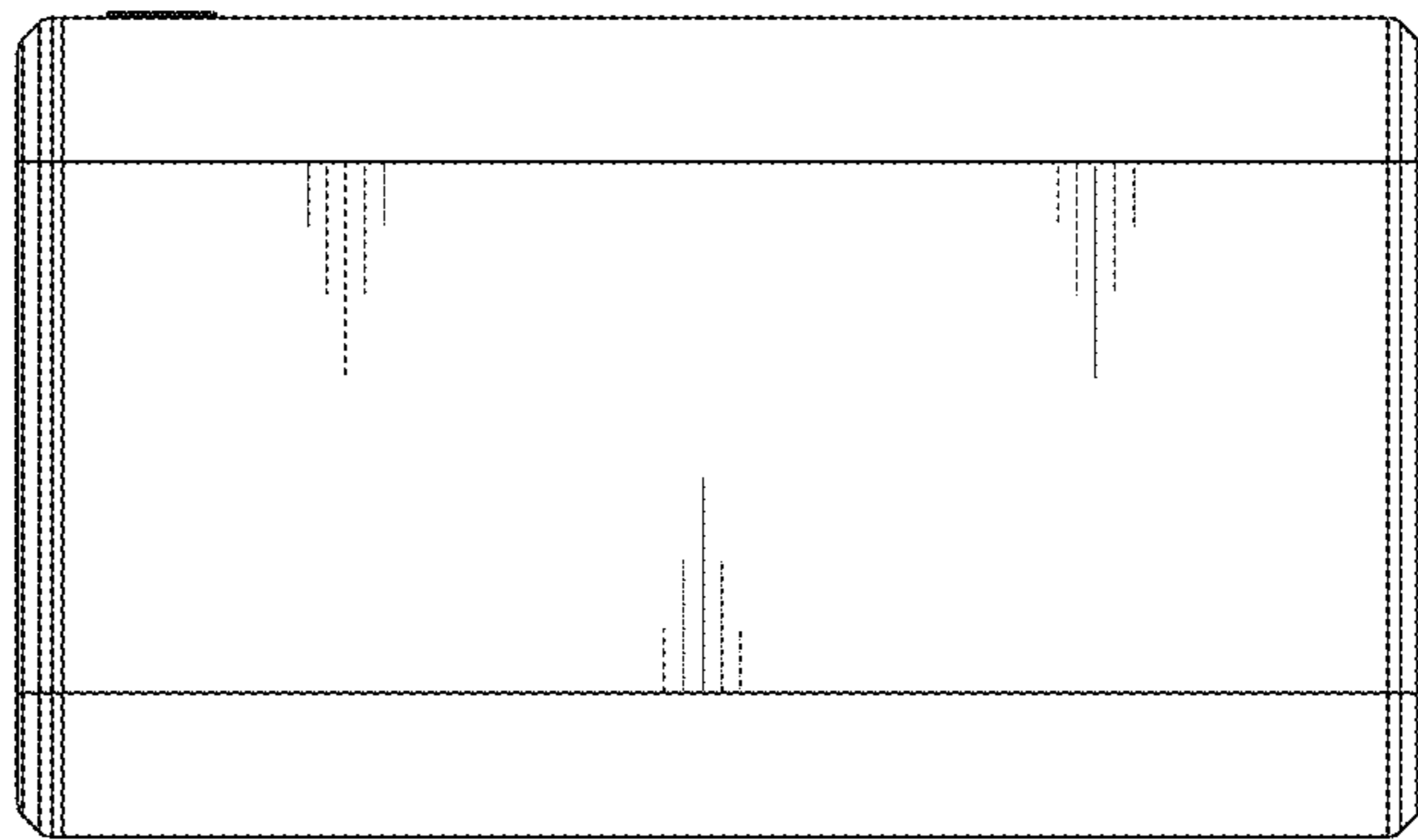


FIG. 6

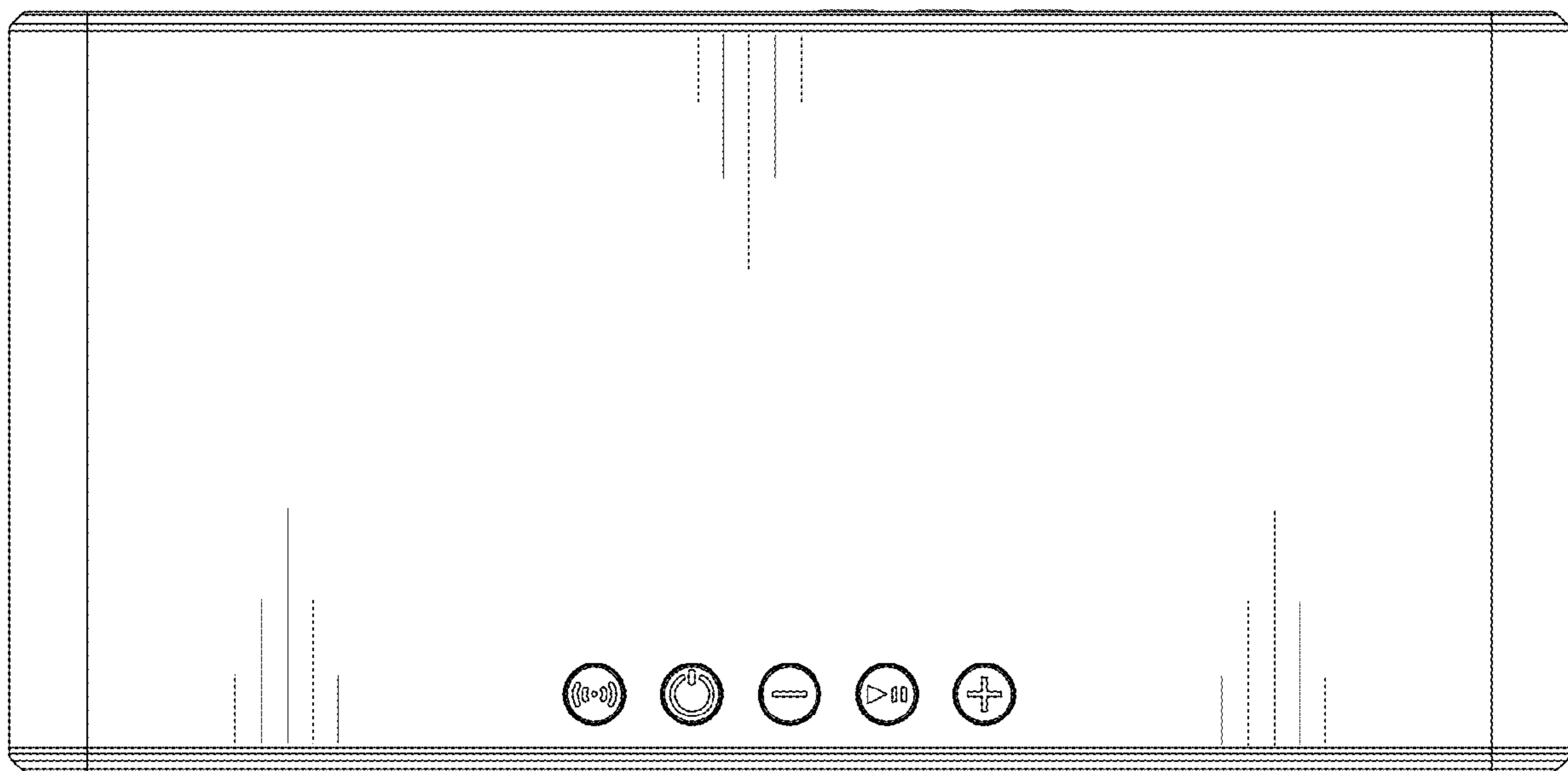


FIG. 7

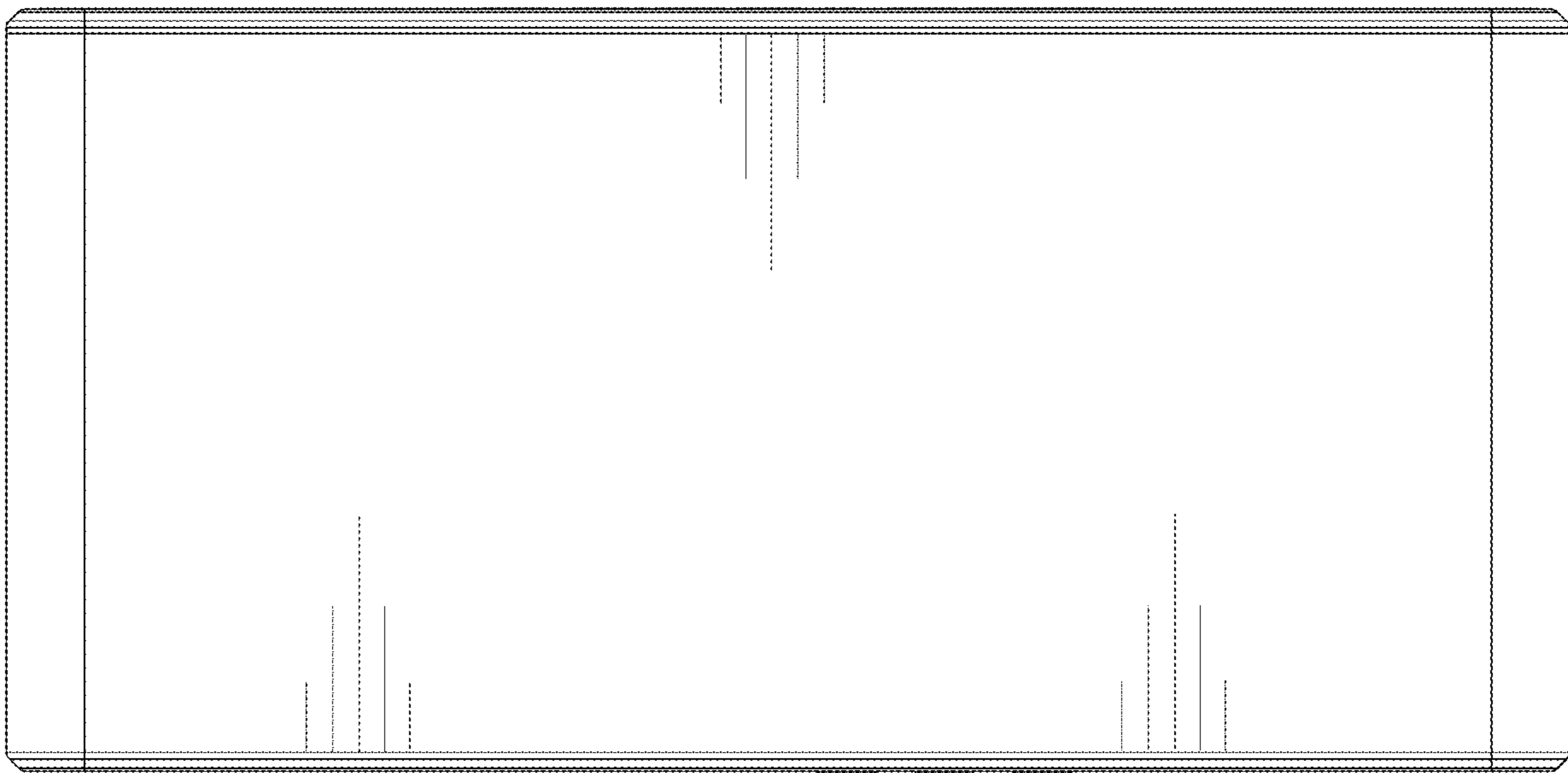


FIG. 8