



US00D945277S

(12) **United States Design Patent**
Hu et al.

(10) **Patent No.:** **US D945,277 S**
(45) **Date of Patent:** **** Mar. 8, 2022**

(54) **INNER PACKAGING BOX FOR LED LAMPS**

(71) Applicant: **Jiaxing Guangtai Lighting Co., Ltd.**,
Jiaxing (CN)

(72) Inventors: **Lihua Hu**, Jiaxing (CN); **Hui Gao**,
Jiaxing (CN); **Huojun Gu**, Jiaxing
(CN)

(73) Assignee: **JIAXING GUANGTAI LIGHTING
CO., LTD.**, Jiaxing (CN)

(**) Term: **15 Years**

(21) Appl. No.: **29/732,601**

(22) Filed: **Apr. 26, 2020**

(30) **Foreign Application Priority Data**

Mar. 26, 2020 (CN) 202030107674.8

(51) **LOC (13) Cl.** **09-03**

(52) **U.S. Cl.**
USPC **D9/750**

(58) **Field of Classification Search**
USPC D9/737, 748-751, 755, 756, 721, 722,
D9/414, 415, 432, 456, 499; D3/201,
D3/269, 313
CPC B65D 81/133; B65D 85/42; B65D 1/36;
B65D 5/503; B65D 77/0433; B65D
77/046; B65D 81/113; B65D 81/3813;
B65D 85/324; B65B 23/22
See application file for complete search history.

(56) **References Cited**

U.S. PATENT DOCUMENTS

D164,516 S * 9/1951 Ruskin D9/748
2,575,192 A * 11/1951 Shepard B65D 85/324
229/406
D185,617 S * 6/1959 Tapper D9/417

D206,558 S * 12/1966 Lowry D9/748
D208,505 S * 9/1967 Hogg D9/748
3,606,006 A * 9/1971 Raybois B65D 85/42
206/534
D226,804 S * 5/1973 Leathers D9/748
D228,745 S * 10/1973 Glaberson et al. D9/748
D236,437 S * 8/1975 Leathers D9/748
D265,056 S * 6/1982 Hadtke D9/415
4,375,262 A * 3/1983 Hrenyo B65D 75/22
206/418
5,011,011 A * 4/1991 Kidd B65D 1/36
206/319
D321,323 S * 11/1991 Nakamura D9/415
D332,398 S * 1/1993 Lee D9/415
D336,848 S * 6/1993 Chen D9/418
D364,739 S * 12/1995 Okamoto D16/237
5,692,611 A * 12/1997 Harrison B65D 5/5004
206/418
D398,842 S * 9/1998 Rohrig D3/201
(Continued)

FOREIGN PATENT DOCUMENTS

CN 306024844 * 9/2020

Primary Examiner — W. A. Teddy Falloway

(74) *Attorney, Agent, or Firm* — Bayramoglu Law Offices
LLC

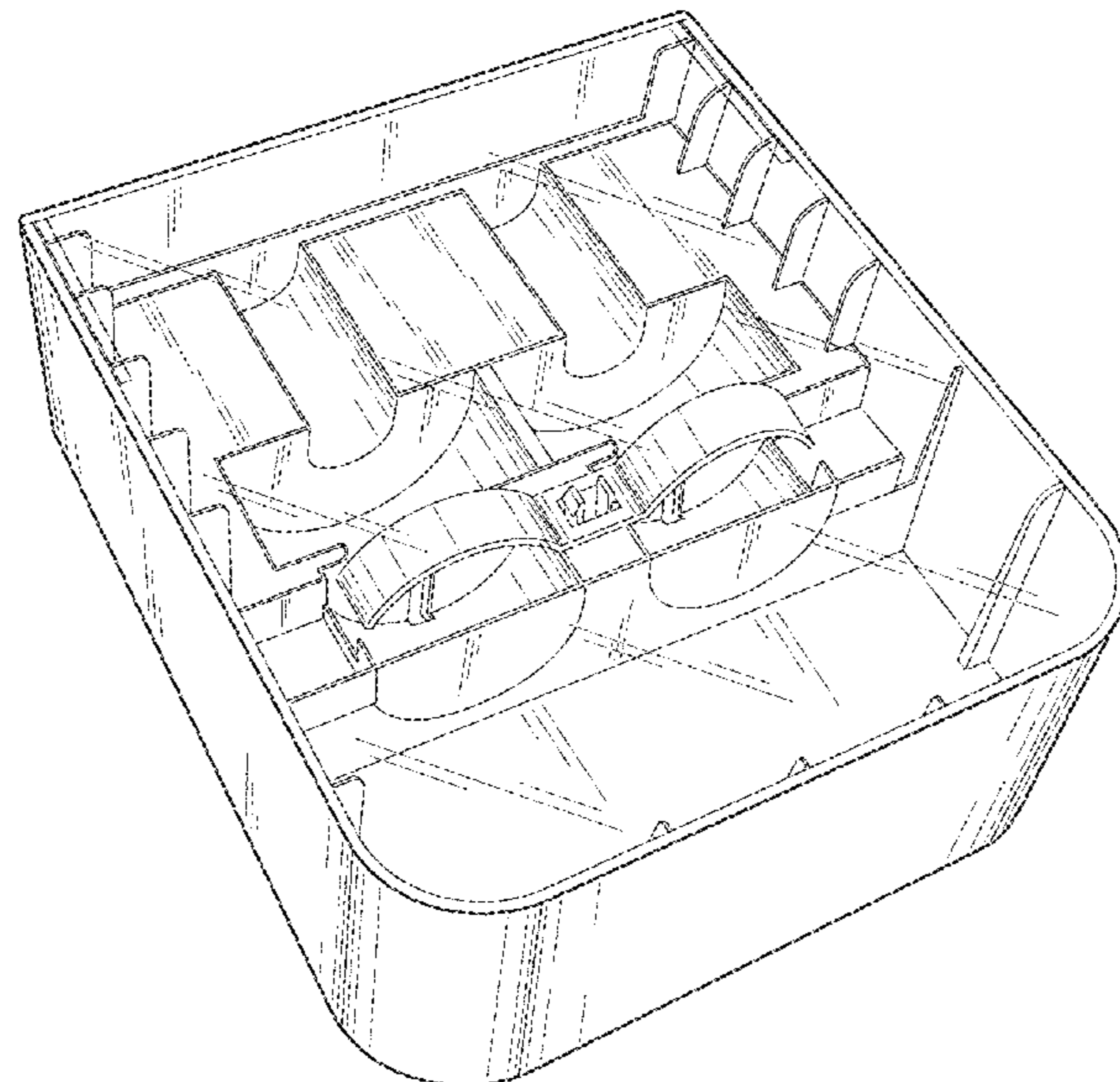
(57) **CLAIM**

The ornamental design for an inner packaging box for LED
lamps, as shown and described.

DESCRIPTION

FIG. 1 is a front perspective view of an inner packaging box
for LED lamps showing our new design;
FIG. 2 is a front view thereof;
FIG. 3 is a rear view thereof;
FIG. 4 is a left side view thereof;
FIG. 5 is a right side view thereof;
FIG. 6 is a top view thereof; and,
FIG. 7 is a bottom view thereof.

1 Claim, 7 Drawing Sheets



(56)

References Cited

U.S. PATENT DOCUMENTS

D399,736 S * 10/1998 Flores D9/415
5,950,829 A * 9/1999 Gale B65D 81/133
206/433
D430,728 S * 9/2000 Horvath D28/61
D473,054 S * 4/2003 Roehrig D3/294
D479,461 S * 9/2003 Raymond D9/415
D492,595 S * 7/2004 Chang D9/423
6,820,743 B2 * 11/2004 Hurley B65D 81/133
206/427
D689,766 S * 9/2013 Oppenheim D9/420
D723,920 S * 3/2015 Wakeham D9/456
D749,417 S * 2/2016 Bate D9/456
D795,055 S * 8/2017 Dorfman D9/418
10,059,495 B1 * 8/2018 Korustan B32B 3/30
D866,314 S * 11/2019 Marotti D9/418
D886,574 S * 6/2020 Thain D9/415
D906,815 S * 1/2021 Yu D9/456
D906,816 S * 1/2021 Yu D9/456
D915,191 S * 4/2021 Yuan D9/424
D916,413 S * 4/2021 Liao D34/27
2004/0252513 A1 * 12/2004 Hagel B65B 23/22
362/362
2008/0197037 A1 * 8/2008 O'Brien B65D 81/133
206/429
2009/0114565 A1 * 5/2009 Dhuru B65D 5/0254
206/780
2016/0083160 A1 * 3/2016 Bley B65D 73/0057
206/462
2017/0354474 A1 * 12/2017 Dobbyn B65B 7/28

* cited by examiner

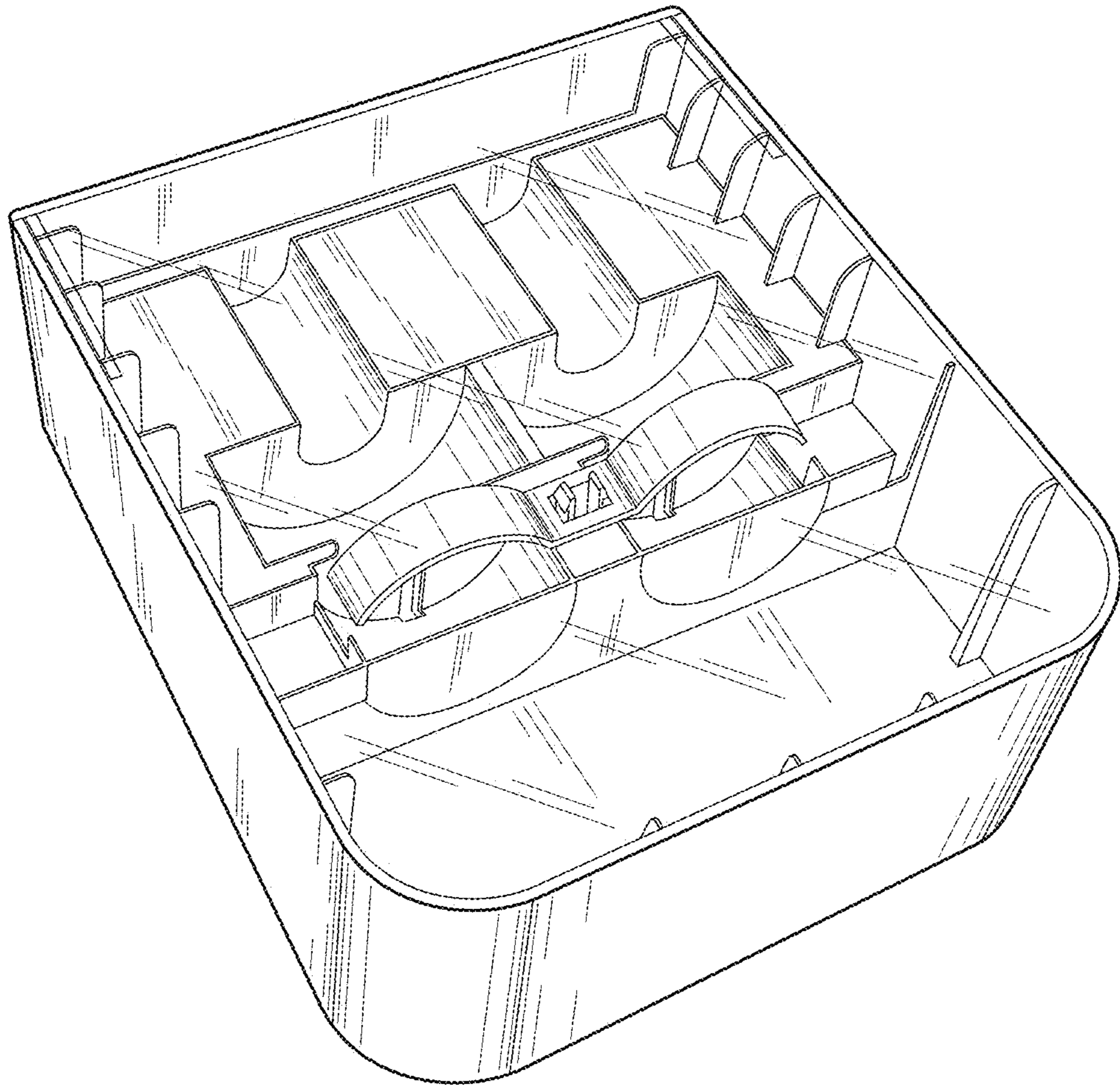


Fig. 1

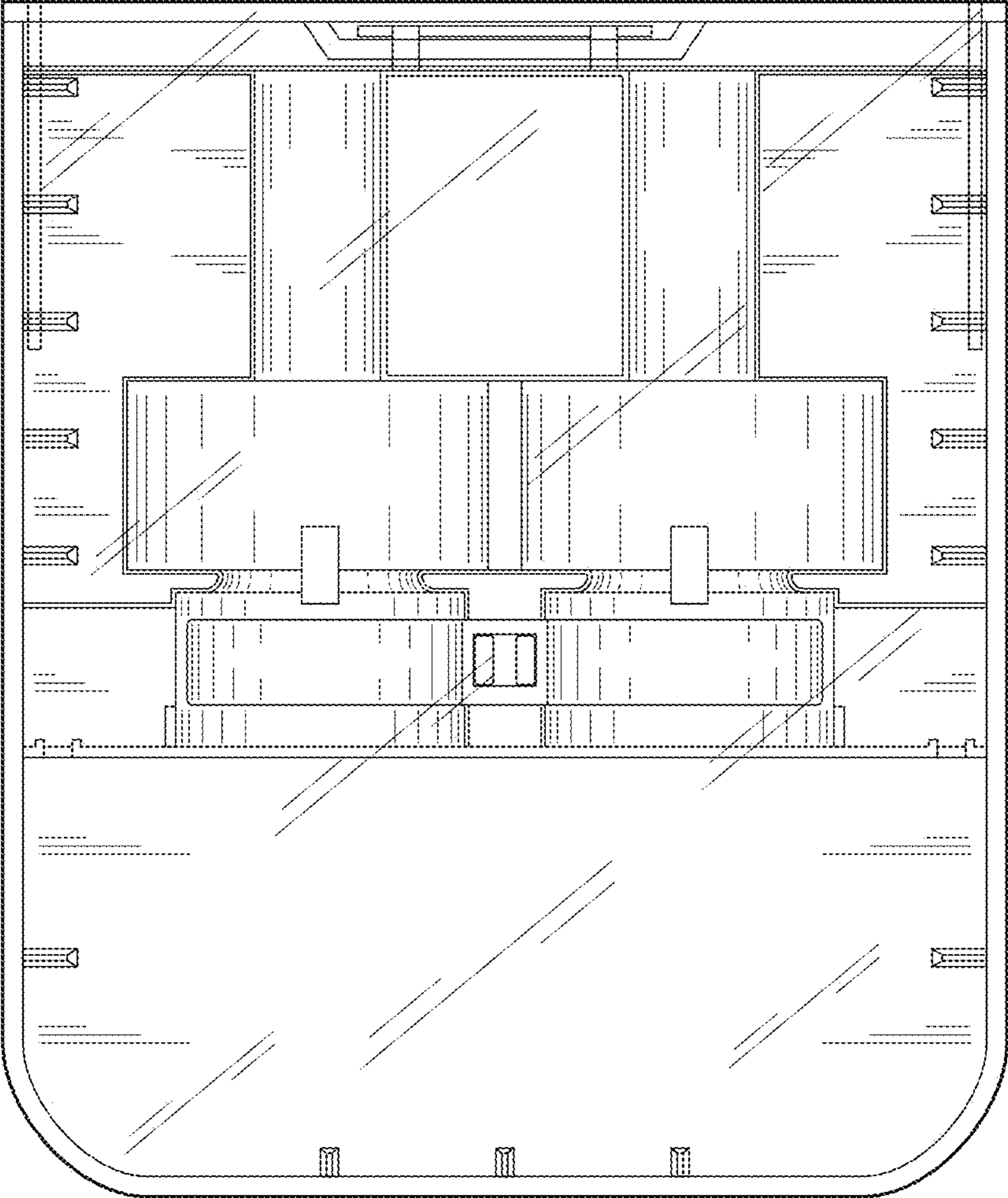


Fig. 2

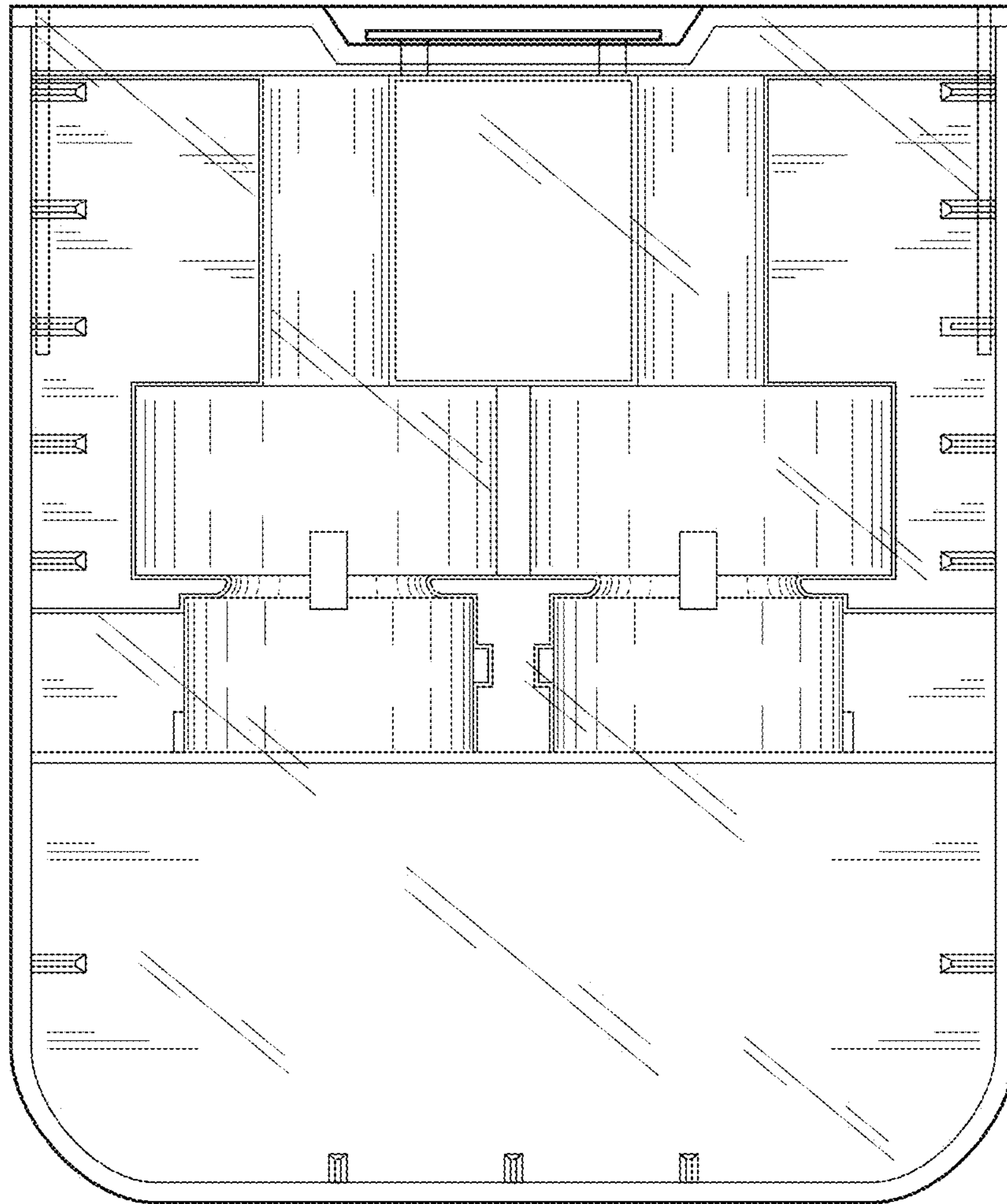


Fig. 3

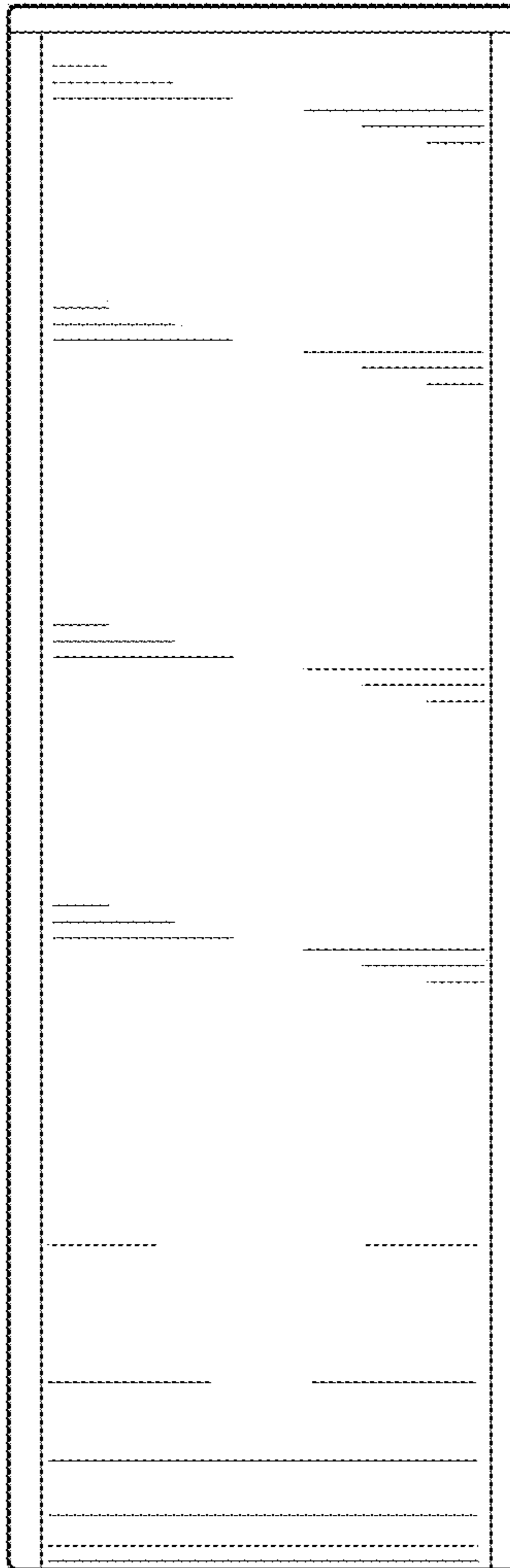


Fig. 4

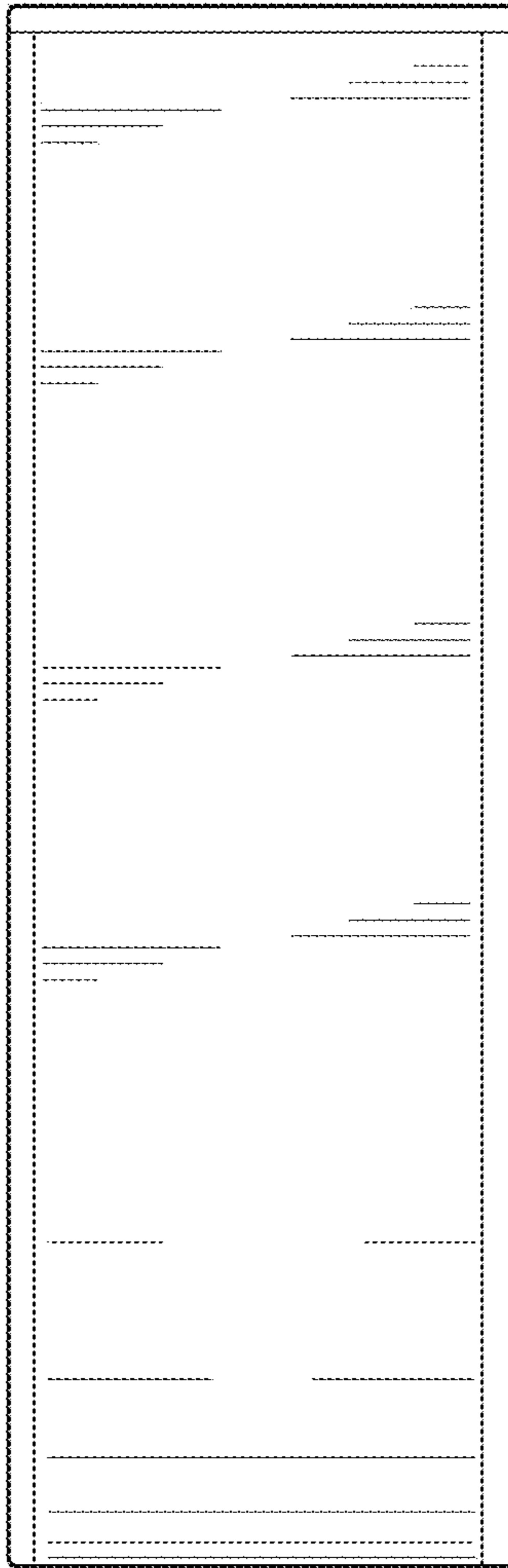


Fig. 5

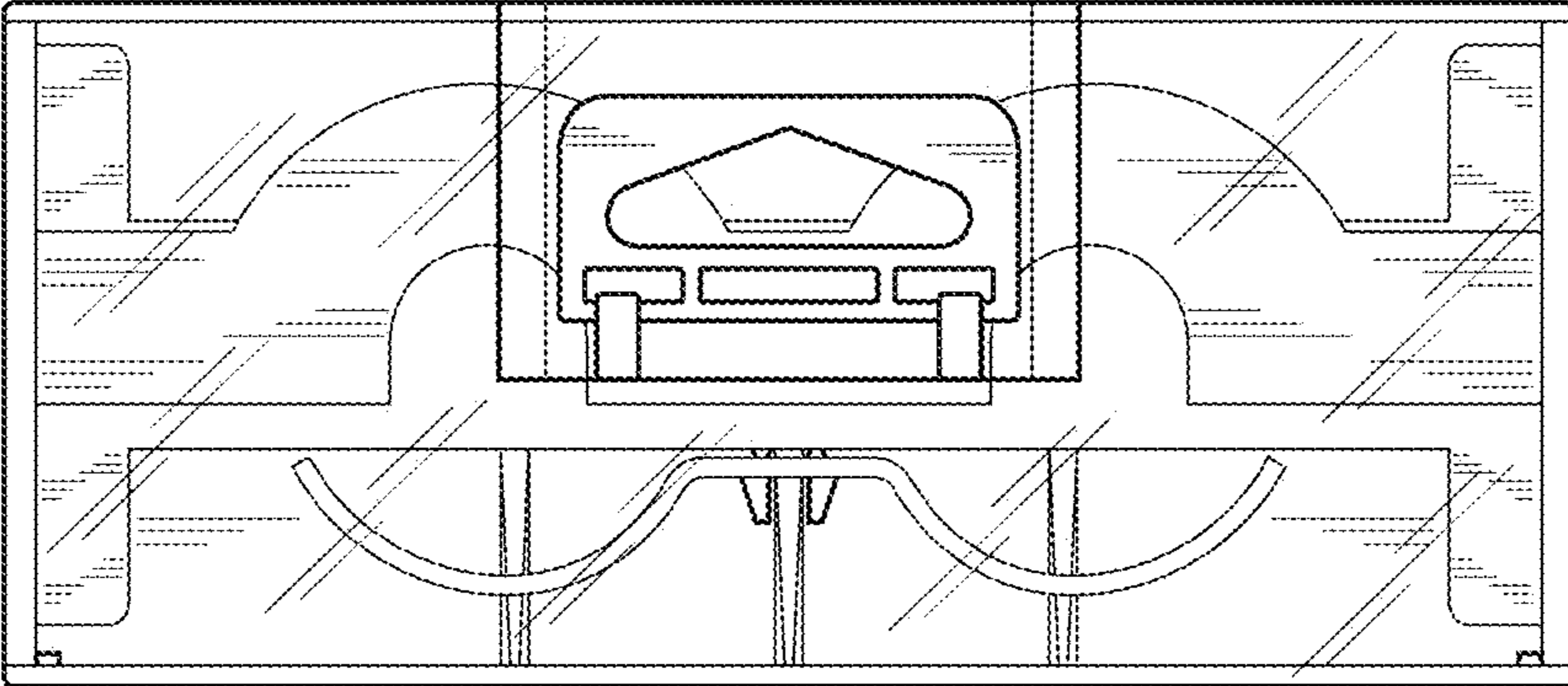


Fig. 6

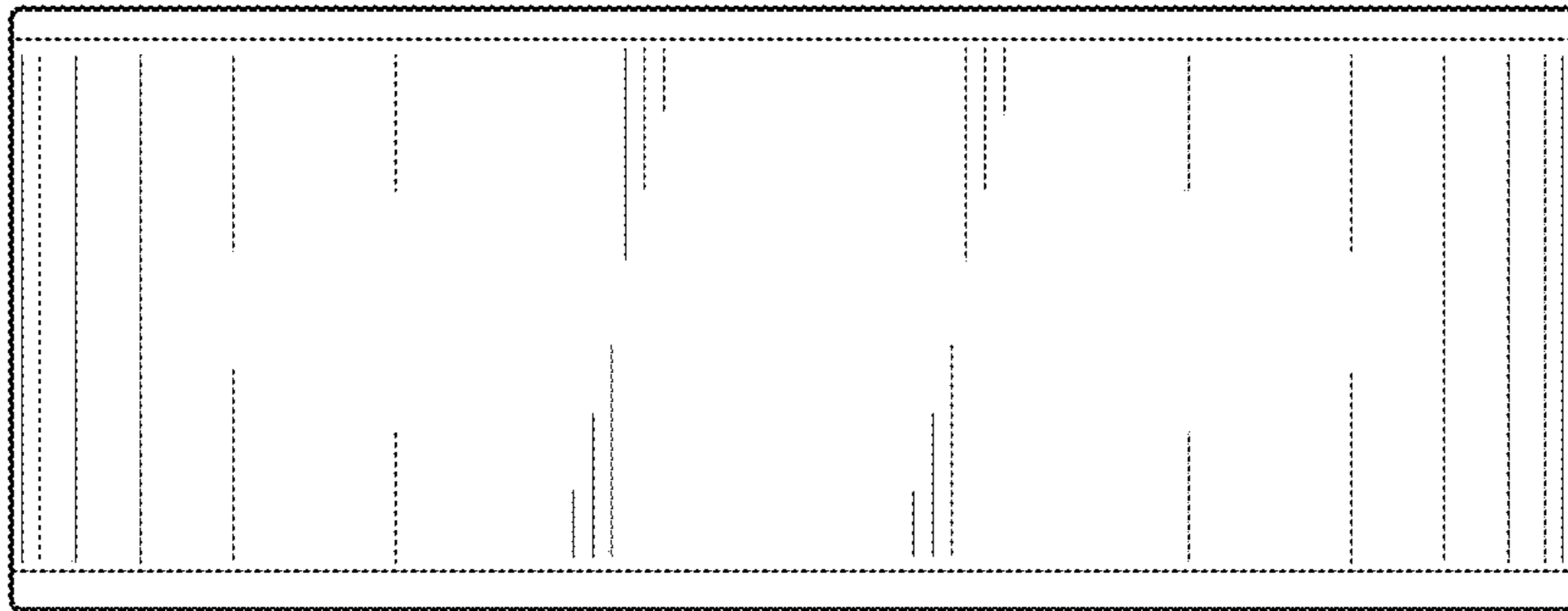


Fig. 7