



US00D945274S

(12) **United States Design Patent**
Sager

(10) **Patent No.:** **US D945,274 S**

(45) **Date of Patent:** **** *Mar. 8, 2022**

(54) **WATER BOTTLE**

(71) Applicant: **Robert David Sager**, Manhattan, KS
(US)

(72) Inventor: **Robert David Sager**, Manhattan, KS
(US)

(*) Notice: This patent is subject to a terminal disclaimer.

(**) Term: **15 Years**

(21) Appl. No.: **29/646,380**

(22) Filed: **May 3, 2018**

(51) **LOC (13) Cl.** **09-01**

(52) **U.S. Cl.**
USPC **D9/575**; D9/520; D9/564; D9/745

(58) **Field of Classification Search**
USPC D9/453, 454, 516, 520, 521, 544, 546,
D9/559, 560, 563, 564, 572-575, 715,
D9/719, 743-745

CPC . B65D 21/0204; B65D 21/02; B65D 21/0213
See application file for complete search history.

(56) **References Cited**

U.S. PATENT DOCUMENTS

3,583,590	A	6/1971	Ferraro	
4,570,799	A	2/1986	Mednis	
4,671,412	A *	6/1987	Gatten B65D 21/0235 206/504
4,805,793	A	2/1989	Brandt et al.	
D317,719	S *	6/1991	Hestehave D9/523
D341,781	S *	11/1993	Sanyal D9/516
D371,281	S *	7/1996	Credle, Jr. D21/500
5,630,523	A	5/1997	Wright	
5,736,170	A *	4/1998	Stoner B29C 49/70 425/522
5,887,740	A	3/1999	Hong	
D447,944	S *	9/2001	Justice D21/499
D581,271	S *	11/2008	Laupie D9/500

D638,707	S	5/2011	Stoffers et al.	
8,047,392	B2	11/2011	Eiten et al.	
8,348,077	B2	1/2013	Wimmer	
8,403,144	B2	3/2013	Eiten	
D699,792	S *	2/2014	Hwang D21/499
D715,159	S *	10/2014	Weiss D7/509
D715,160	S *	10/2014	Weiss D7/509

(Continued)

OTHER PUBLICATIONS

Ma, Alexandra, "A scientist says he's invented a replacement for plastic water bottles that fully decomposes in 3 weeks," Business Insider, May 2, 2018, <https://www.businessinsider.com/inventor-says-his-plastic-bottle-alternative-decomposes-in-just-3-week>.

(Continued)

Primary Examiner — Wendy L Arminio
(74) *Attorney, Agent, or Firm* — Aronberg Goldgehn
Davis & Garmisa

(57) **CLAIM**

The ornamental design for a water bottle, as shown and described.

DESCRIPTION

FIG. 1 is a front elevation view of a water bottle of the instant inventive concept.

FIG. 2 is a rear elevation view of the water bottle of FIG. 1.
FIG. 3 is a left side elevation view of the water bottle of FIG. 1.

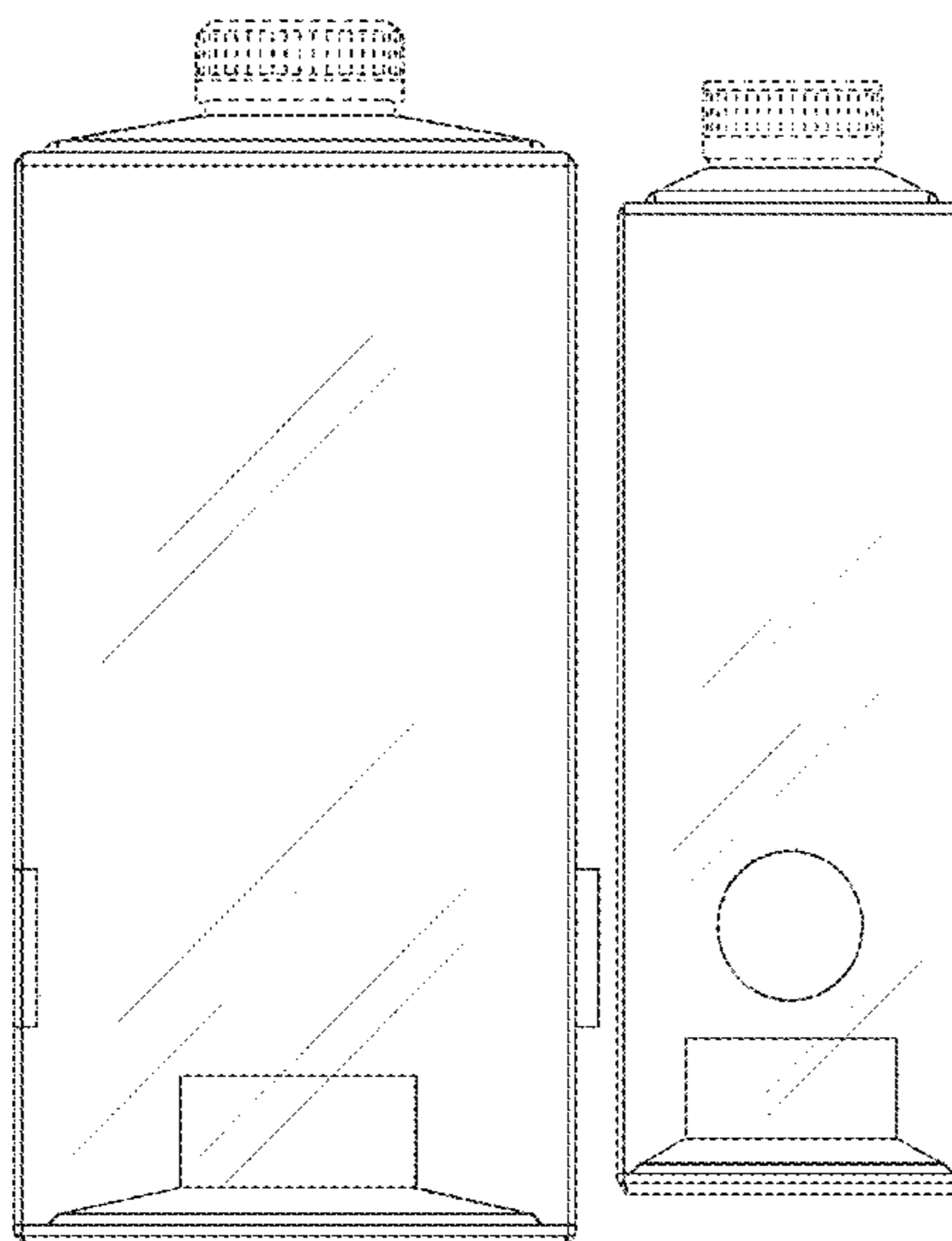
FIG. 4 is a right side elevation view of the water bottle of FIG. 1.

FIG. 5 is a bottom plan view of the water bottle of FIG. 1; and,

FIG. 6 is a top plan view of the water bottle of FIG. 1.

The broken lines in the drawings of the water bottle illustrate the portions of the water bottle that form no part of the claimed design.

1 Claim, 6 Drawing Sheets



(56)

References Cited

U.S. PATENT DOCUMENTS

D715,161 S * 10/2014 Weiss D7/509
 D716,152 S * 10/2014 Weiss D7/509
 D716,669 S * 11/2014 Weiss D7/509
 D718,392 S * 11/2014 Weiss D21/500
 D718,394 S * 11/2014 Weiss A63H 33/086
 D21/500
 D730,739 S 6/2015 Ginzburg et al.
 D746,149 S 12/2015 Ginzburg et al.
 9,278,781 B1 3/2016 Boldis
 9,290,300 B2 * 3/2016 Hendrickson B65D 23/00
 9,346,585 B2 5/2016 Hendrickson et al.
 9,550,605 B1 1/2017 Summers
 D794,467 S * 8/2017 Hendrickson D9/559
 9,725,201 B2 8/2017 Derrien et al.
 D809,935 S * 2/2018 Weiss D9/743
 10,046,881 B2 8/2018 Saito et al.
 D917,297 S * 4/2021 Sager D9/575
 2004/0020890 A1 2/2004 Tan et al.
 2004/0116037 A1 * 6/2004 Garpow A63H 33/08
 446/74
 2006/0000740 A1 * 1/2006 Sigur B65D 21/0231
 206/509
 2006/0157367 A1 7/2006 Carrigan et al.
 2006/0255000 A1 * 11/2006 Quintana B65D 1/0246
 215/10
 2006/0261063 A1 * 11/2006 Dyehouse B65D 21/0204
 220/23.4
 2007/0108156 A1 5/2007 Durand et al.
 2007/0108232 A1 5/2007 Loebach
 2007/0114200 A1 * 5/2007 Lane B65D 1/023
 215/10
 2008/0197179 A1 8/2008 Weimer
 2008/0245757 A1 10/2008 Durand
 2009/0000415 A1 1/2009 Parker
 2009/0045157 A1 * 2/2009 Panchal B65D 21/0204
 215/10
 2009/0057321 A1 3/2009 Hong et al.
 2009/0090647 A1 * 4/2009 Panchal B65D 21/0204
 206/504

2010/0116771 A1 5/2010 Cervený
 2010/0252620 A1 10/2010 Gayoso et al.
 2010/0257818 A1 10/2010 Ripkens et al.
 2010/0326893 A1 12/2010 Hueppi et al.
 2011/0226719 A1 9/2011 Park
 2012/0018337 A1 1/2012 Furey
 2012/0118848 A1 5/2012 Hendrickson et al.
 2012/0325718 A1 12/2012 Larsen
 2013/0118945 A1 5/2013 Furey
 2013/0213846 A1 8/2013 Hendrickson et al.
 2013/0213927 A1 8/2013 Hendrickson et al.
 2014/0027336 A1 1/2014 Bou Mezrag et al.
 2014/0158577 A1 6/2014 Furey
 2014/0326693 A1 11/2014 Martin
 2014/0335753 A1 * 11/2014 Weiss B65D 21/0204
 446/71
 2014/0367297 A1 12/2014 Kelly et al.
 2014/0374298 A1 12/2014 Touchet
 2015/0090404 A1 4/2015 Van Wickeren et al.
 2015/0266617 A1 9/2015 Furey
 2015/0321826 A1 11/2015 Bouffand et al.
 2016/0029846 A1 2/2016 Zickler et al.
 2016/0129587 A1 5/2016 Lindbo et al.
 2016/0244271 A1 8/2016 Walter et al.
 2016/0325913 A1 11/2016 Kim et al.
 2016/0340079 A1 11/2016 Le Guen
 2016/0362225 A1 12/2016 Boaventura-Delanoé
 2016/0368694 A1 12/2016 Rahmel et al.
 2017/0021995 A1 1/2017 Corbett et al.
 2017/0081076 A1 3/2017 Meroz
 2017/0217612 A1 8/2017 Bonnain et al.
 2017/0225858 A1 8/2017 Bates et al.
 2017/0247142 A1 8/2017 Pedmo et al.
 2017/0305596 A1 10/2017 Dag
 2019/0161225 A1 5/2019 Sager

OTHER PUBLICATIONS

“Non-Final Office Action Received for U.S. Appl. No. 15/983,830, dated May 26, 2020”.

* cited by examiner

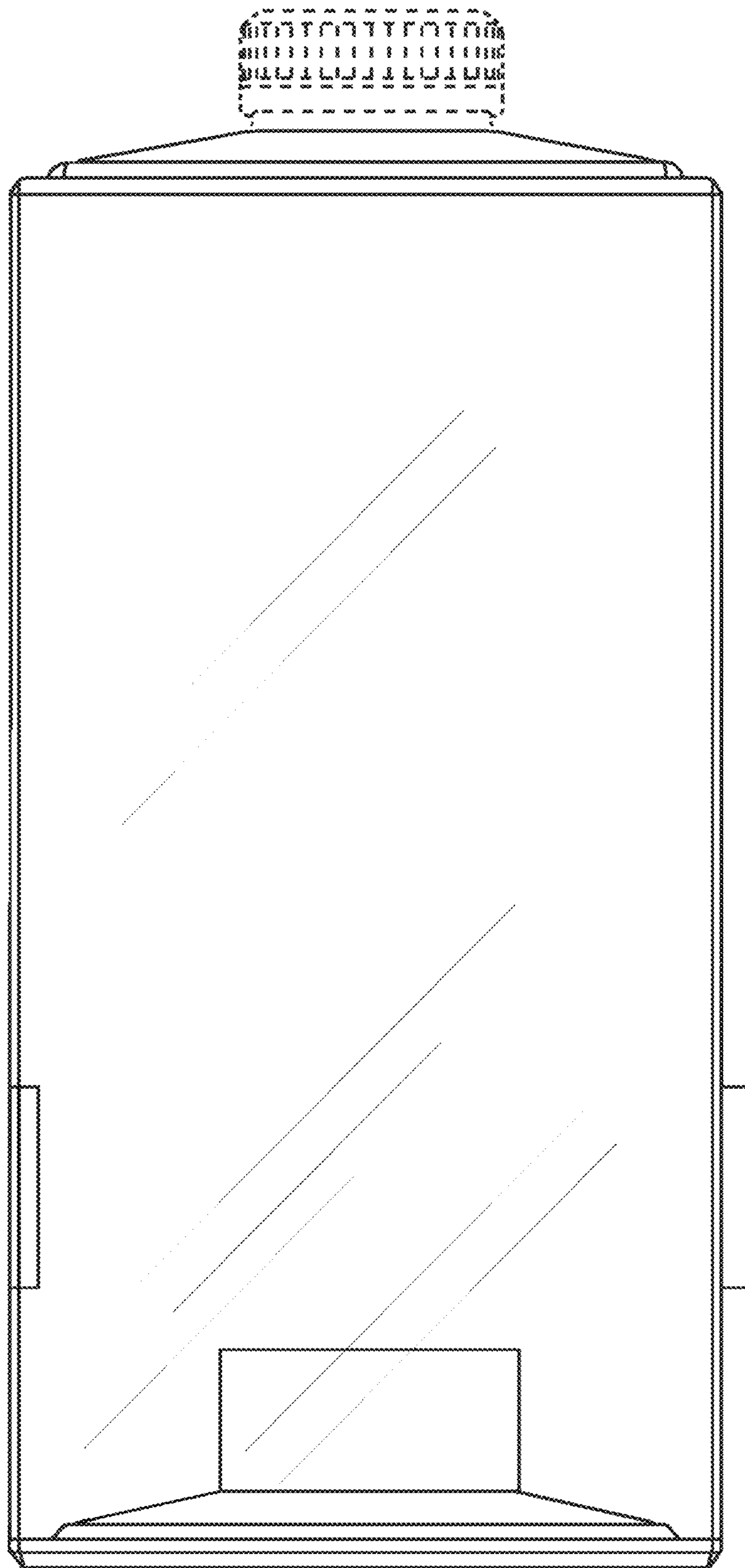


FIG. 1

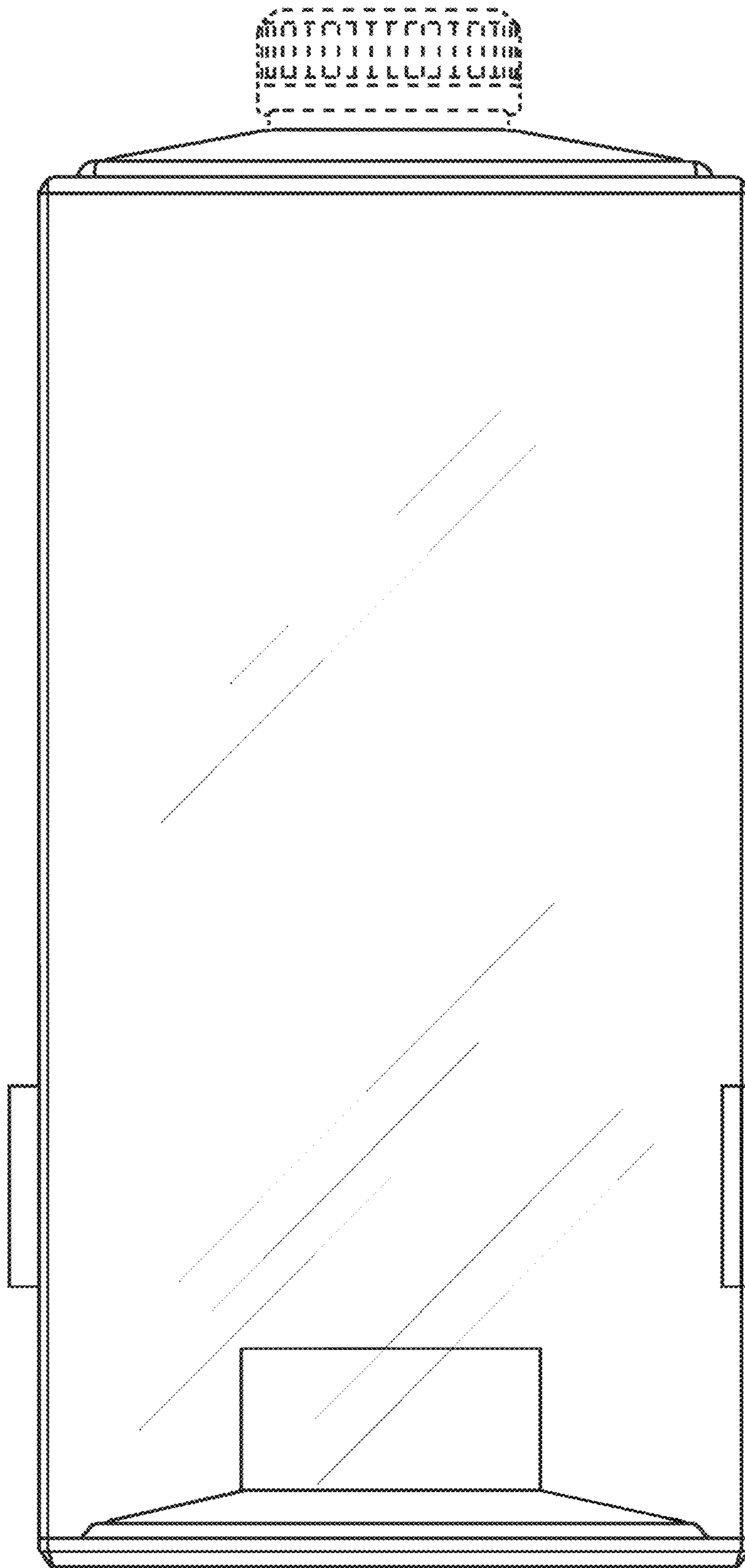


FIG. 2

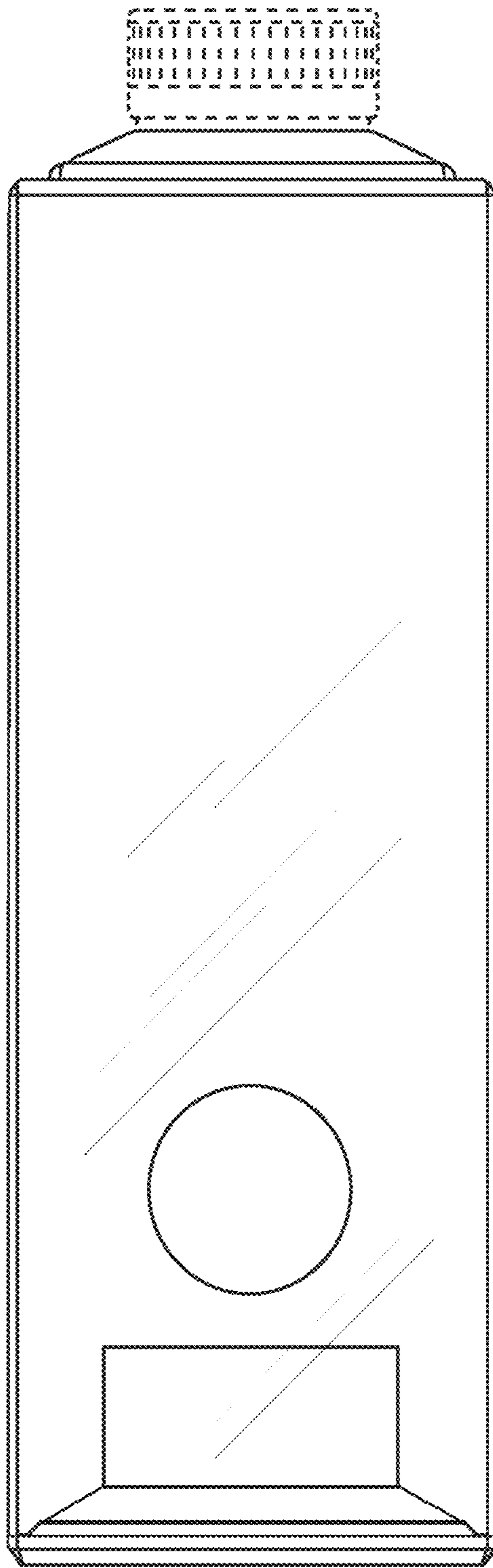


FIG. 3

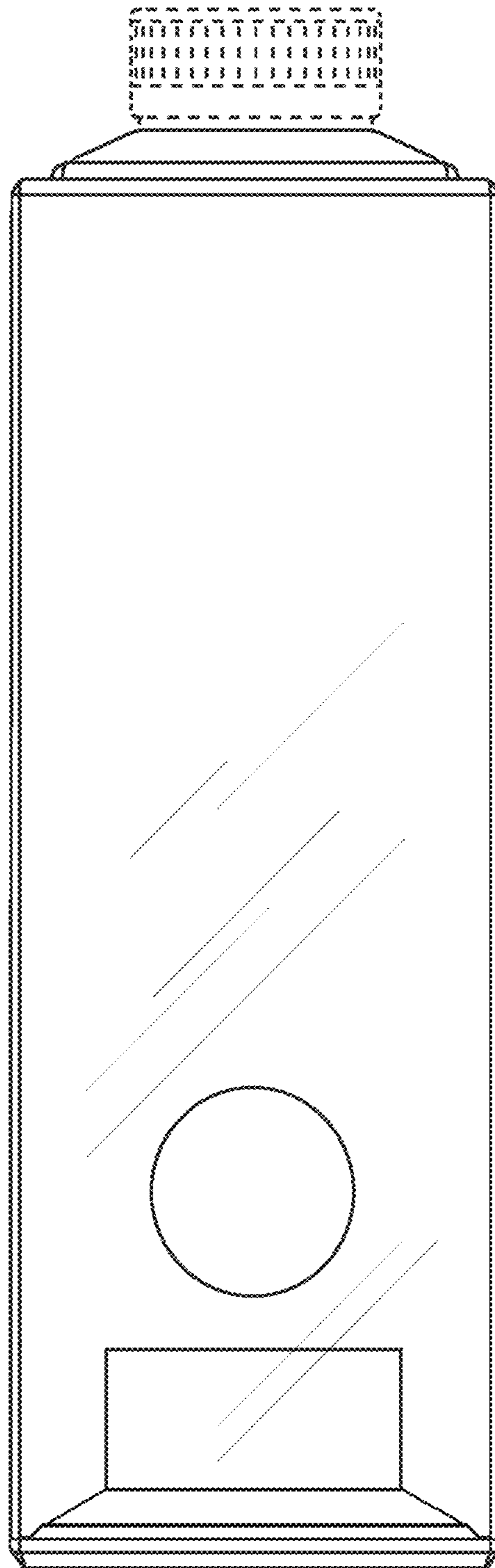


FIG. 4

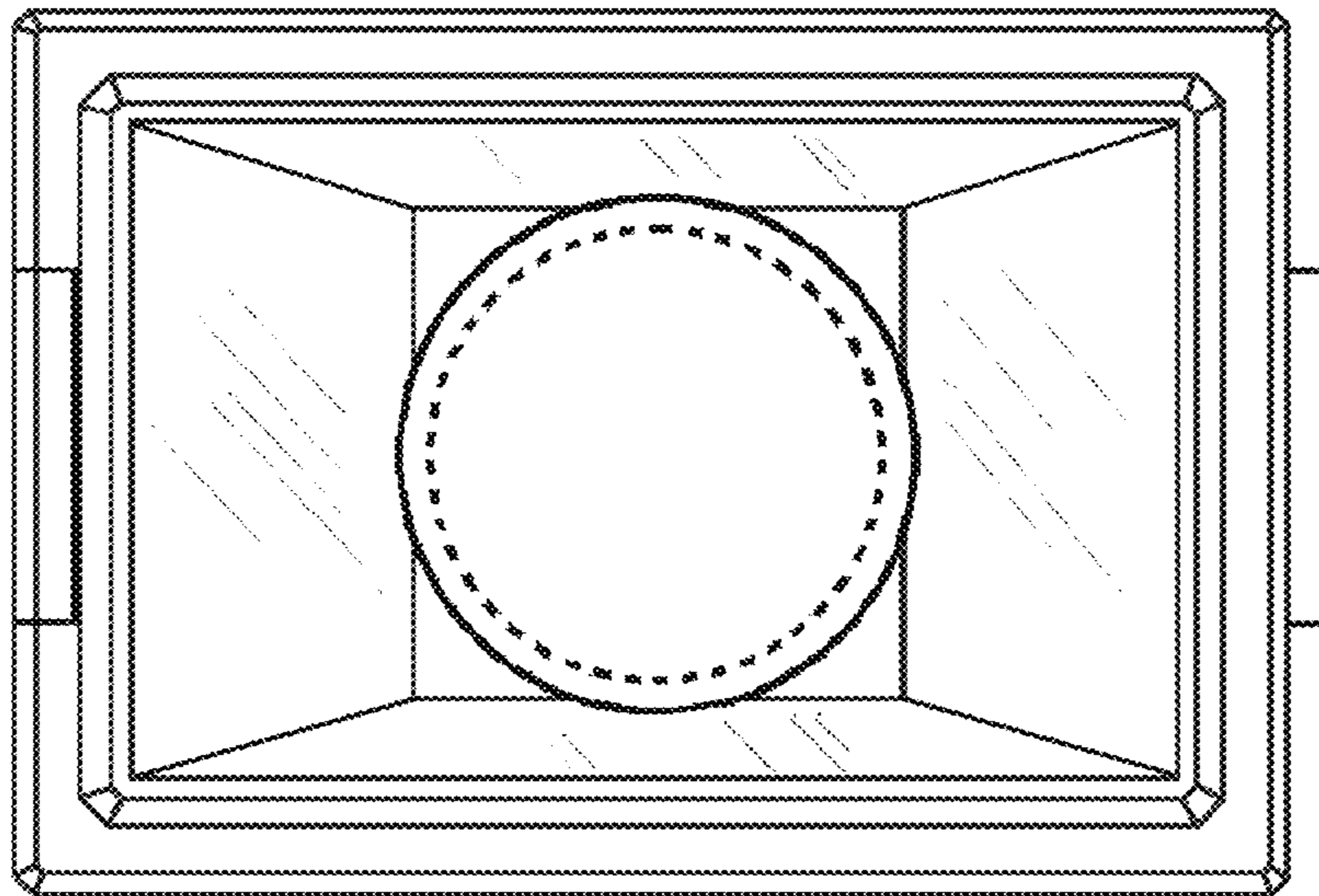


FIG. 5

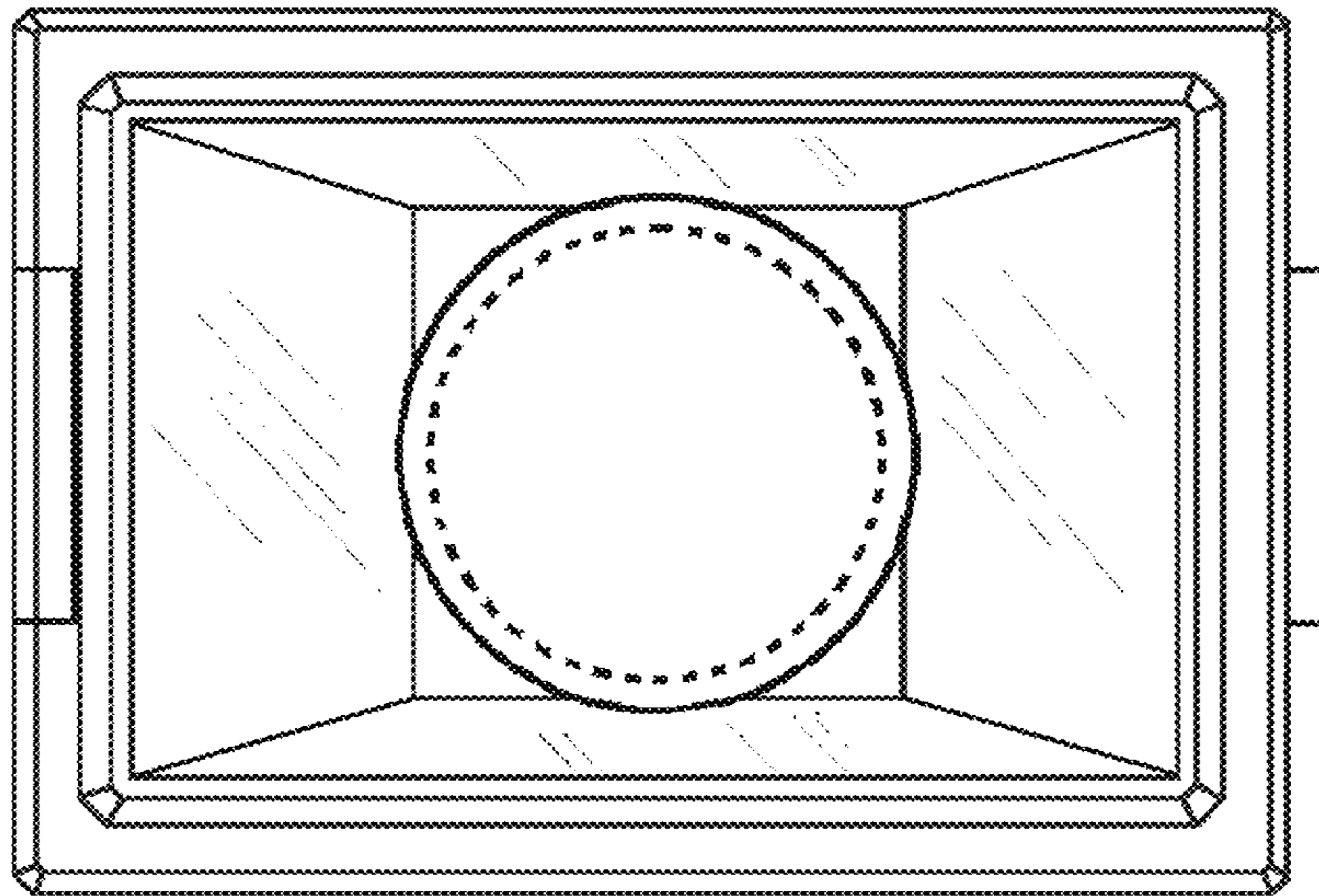


FIG. 6