



US00D945273S

(12) **United States Design Patent**
Dabrowski

(10) **Patent No.:** **US D945,273 S**
(45) **Date of Patent:** **** Mar. 8, 2022**

(54) **CONTAINER**

(71) Applicant: **Sanpellegrino S.p.A.**, Bergamo (IT)

(72) Inventor: **Nicolas Dabrowski**, Vittel (FR)

(73) Assignee: **SANPELLEGRINO S.P.A.**, Bergamo (IT)

(**) Term: **15 Years**

(21) Appl. No.: **29/657,166**

(22) Filed: **Jul. 19, 2018**

(30) **Foreign Application Priority Data**

Jun. 4, 2018 (EM) 005296472-0001
Jun. 4, 2018 (EM) 005296472-0002

(51) **LOC (13) Cl.** **09-01**

(52) **U.S. Cl.**
USPC **D9/572; D9/520**

(58) **Field of Classification Search**
USPC D9/522, 560, 562, 572, 573, 575
CPC B65D 1/02; B65D 1/0223; B65D 1/023;
B65D 1/0261; B65D 2501/0009; B65D
2501/0081; B65D 2501/009
See application file for complete search history.

(56) **References Cited**

U.S. PATENT DOCUMENTS

D535,566 S * 1/2007 Lin D9/453
D654,797 S * 2/2012 Chen D9/542
D655,180 S * 3/2012 Kraft D9/560
D693,694 S * 11/2013 Makhsudova D9/560
D735,046 S * 7/2015 De Lorme D9/560
D748,485 S * 2/2016 Marret D9/529

D748,487 S * 2/2016 Fitts D9/560
D751,894 S * 3/2016 Nordenskjold D9/432
D769,124 S * 10/2016 Wieland D9/560
D776,544 S * 1/2017 Staab D9/560
D777,037 S * 1/2017 Serafin D9/560
D779,335 S * 2/2017 Chia D9/560
D779,956 S * 2/2017 Ring D9/563
D838,182 S * 1/2019 Landis D9/560
D838,183 S * 1/2019 Simon D9/563

OTHER PUBLICATIONS

Lanjaron Mineral Water, announced Nov. 10, 2008, [online], site visited Jun. 10, 2021. Available from Internet, URL: <http://www.lovelypackage.com> (Year: 2008).*

* cited by examiner

Primary Examiner — Janice Patyk
(74) *Attorney, Agent, or Firm* — Finnegan, Henderson, Farabow, Garrett & Dunner, LLP

(57) **CLAIM**

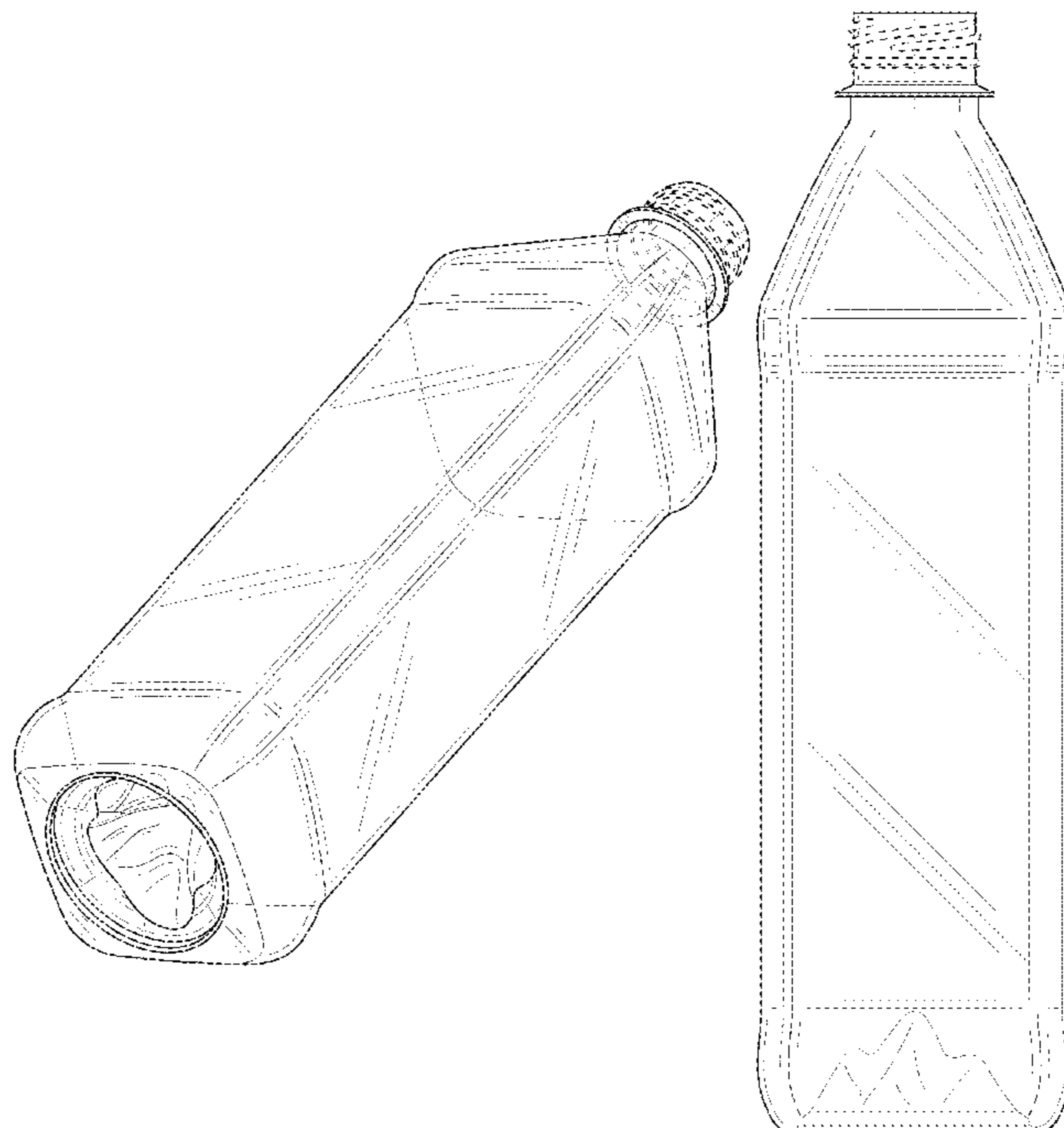
The ornamental design for a container, as shown and described.

DESCRIPTION

FIG. 1 is a bottom, right side, rear perspective view of a container, showing my new design;
FIG. 2 is a bottom, left side, front perspective view thereof;
FIG. 3 is a front elevation view thereof;
FIG. 4 is a rear elevation view thereof;
FIG. 5 is a left side view thereof;
FIG. 6 is a right side view thereof;
FIG. 7 is a top plan view thereof; and,
FIG. 8 is a bottom plan view thereof.

The broken lines in the figures illustrate the portions of the design that form no part of the claimed design.

1 Claim, 8 Drawing Sheets



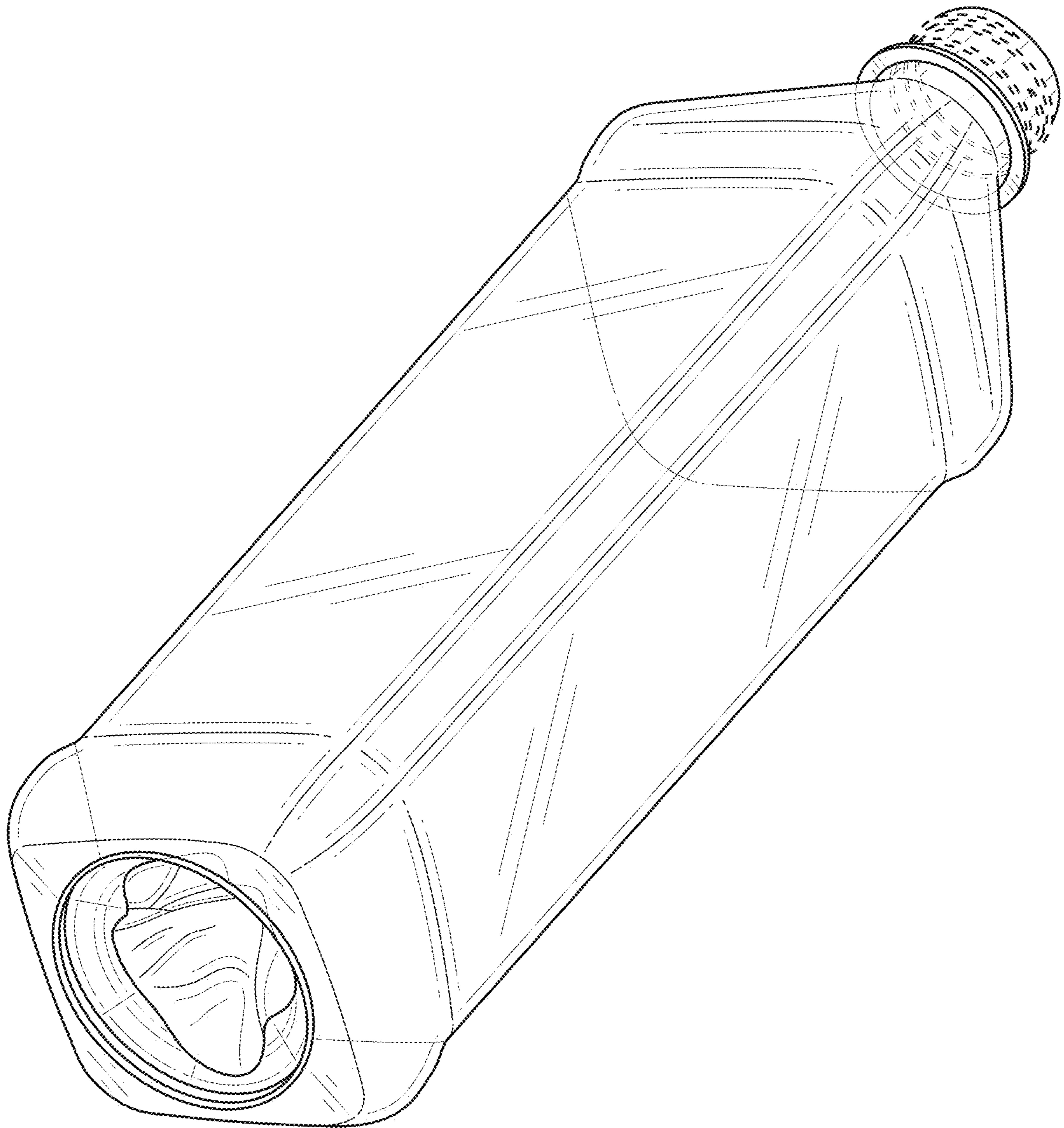


FIG. 1

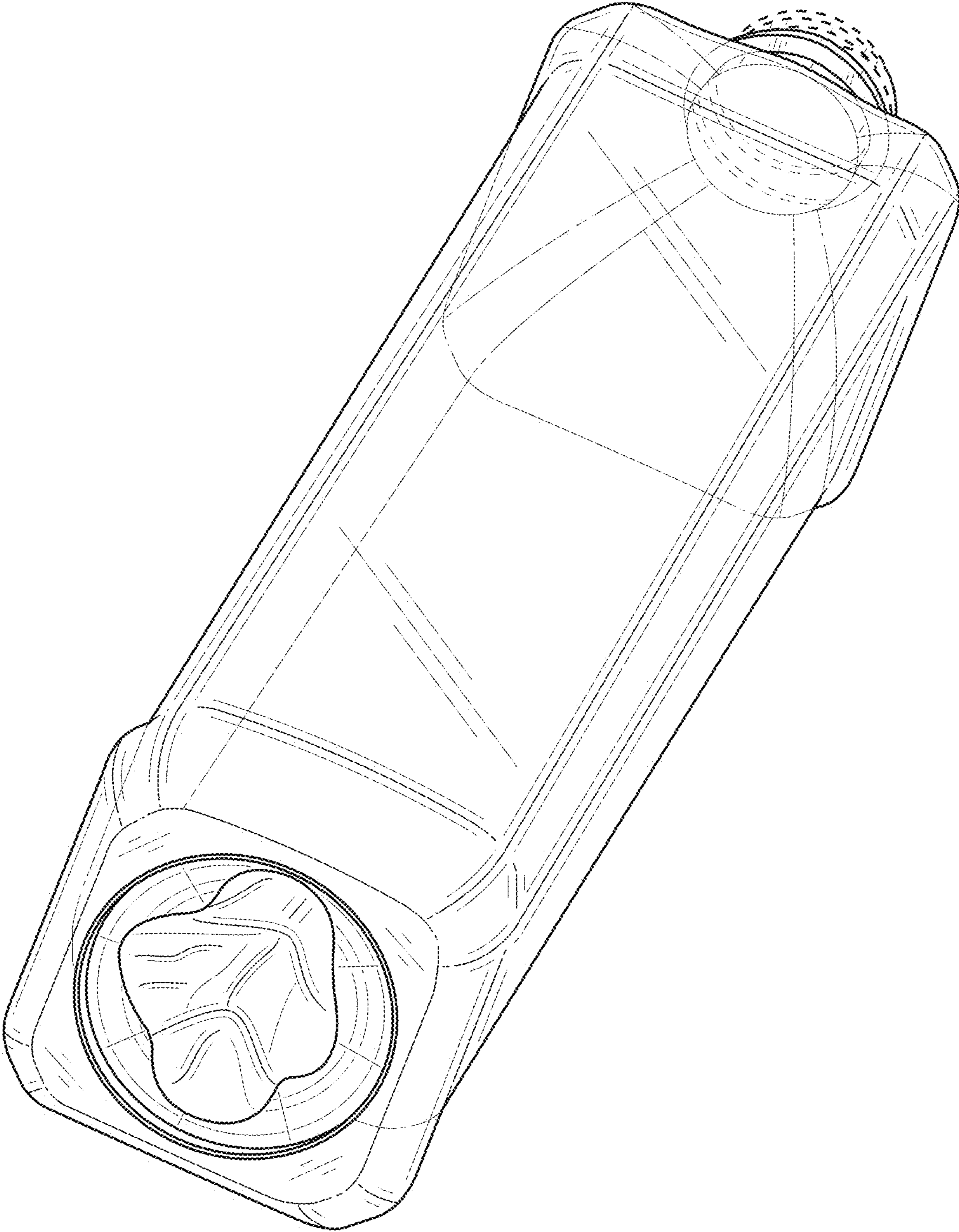


FIG. 2

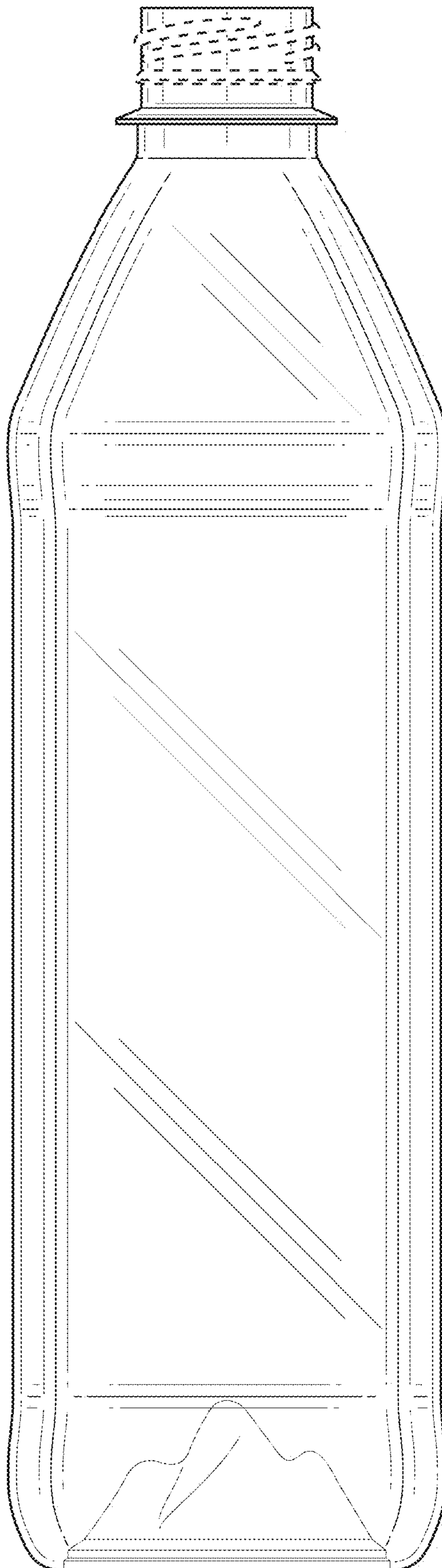


FIG. 3

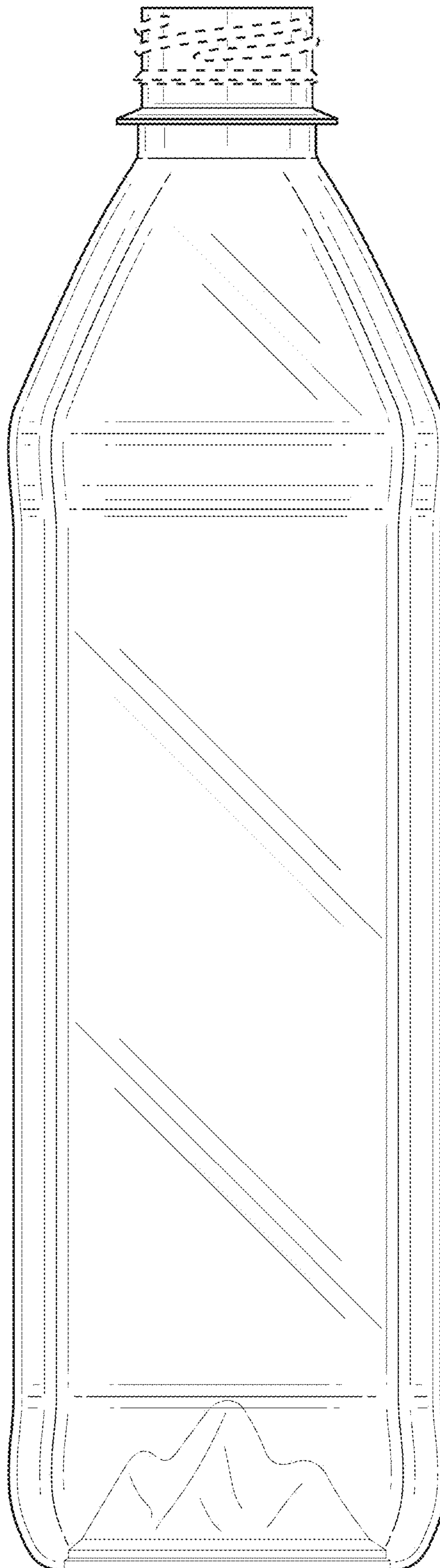


FIG. 4

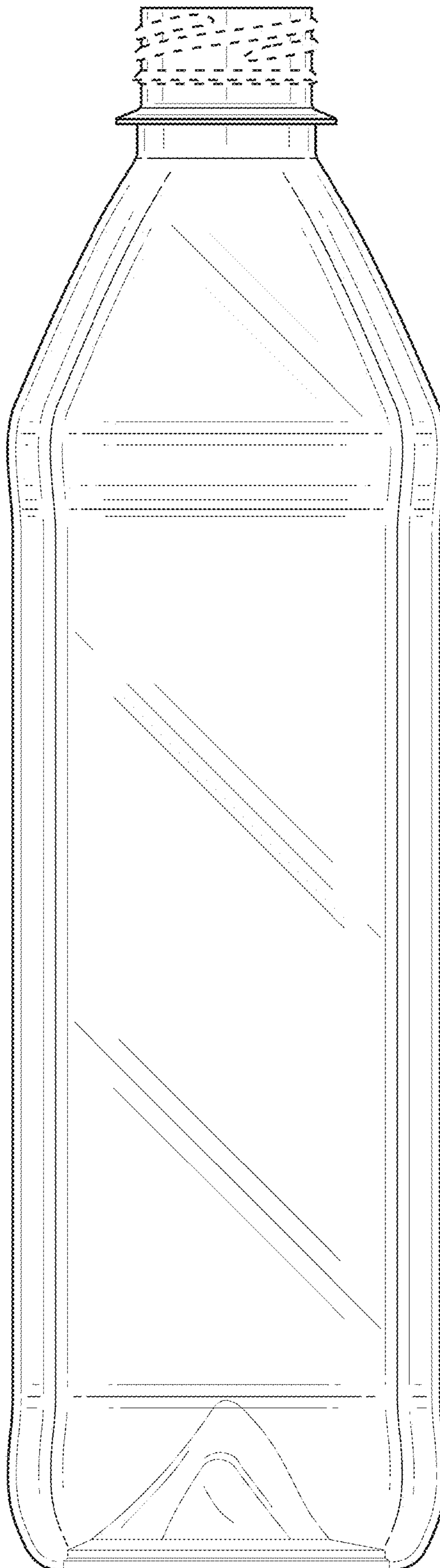


FIG. 5

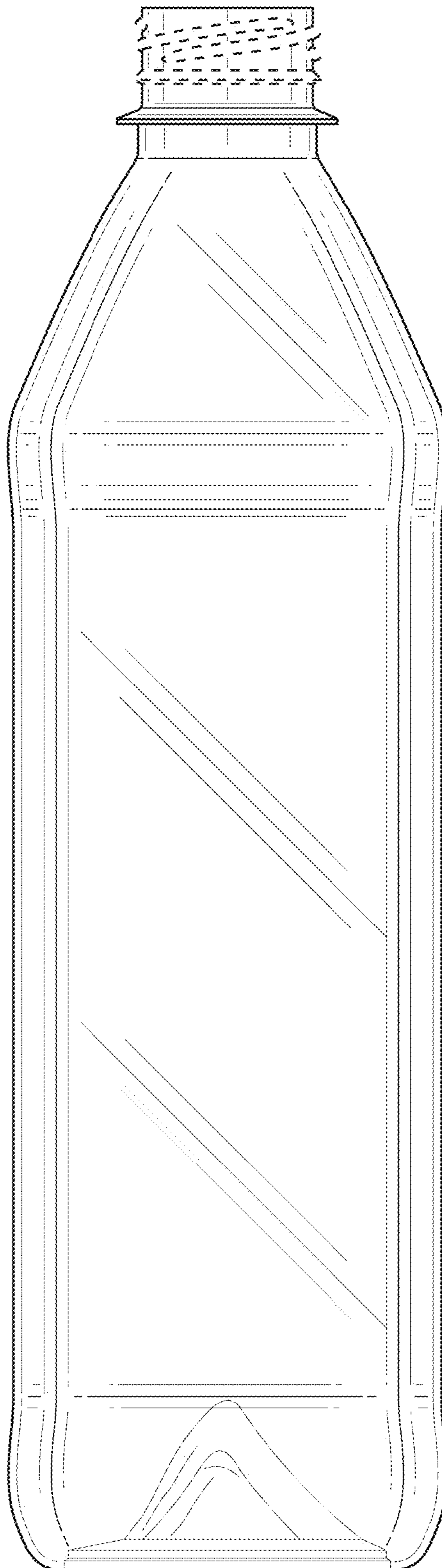


FIG. 6

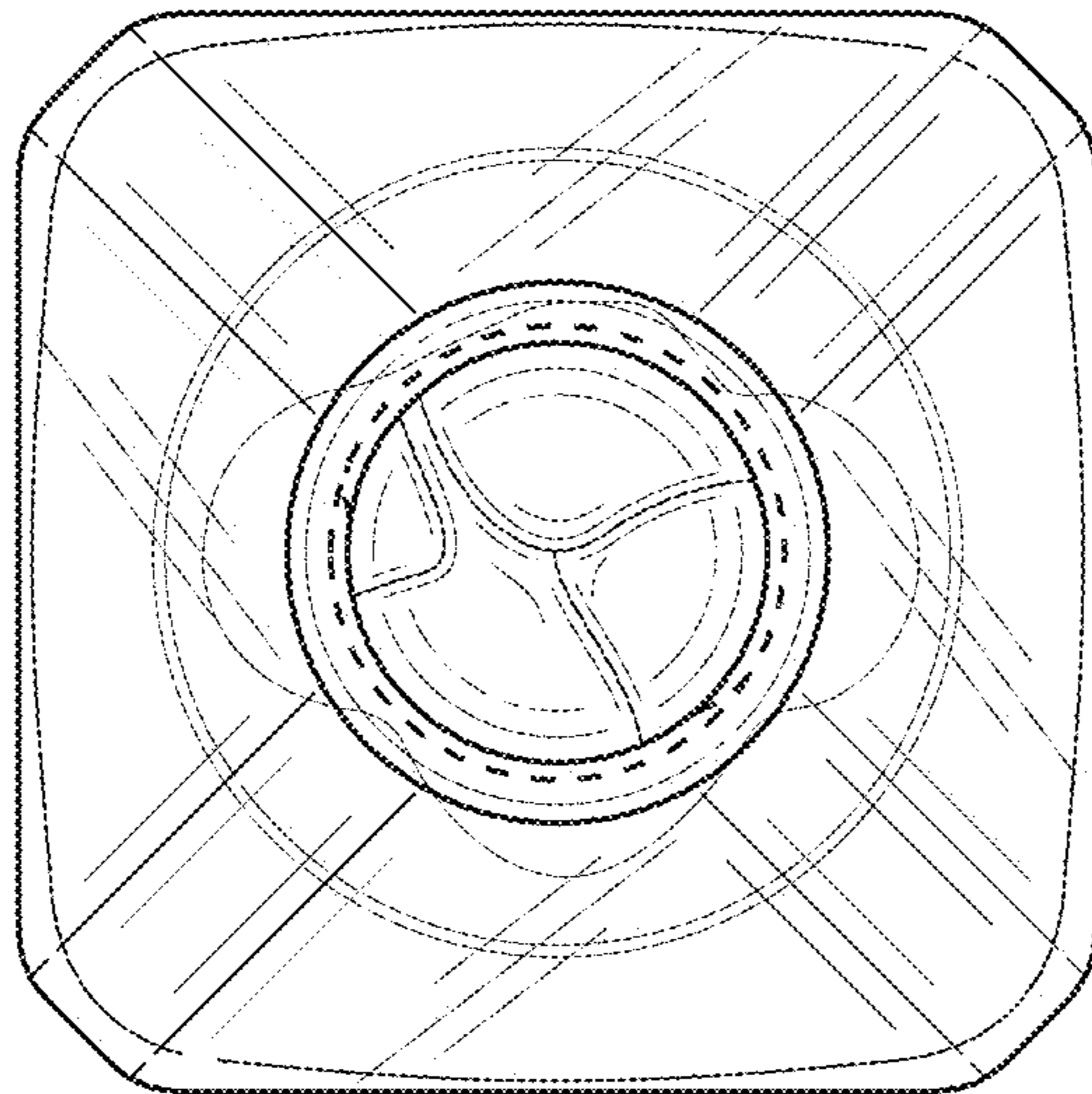


FIG. 7

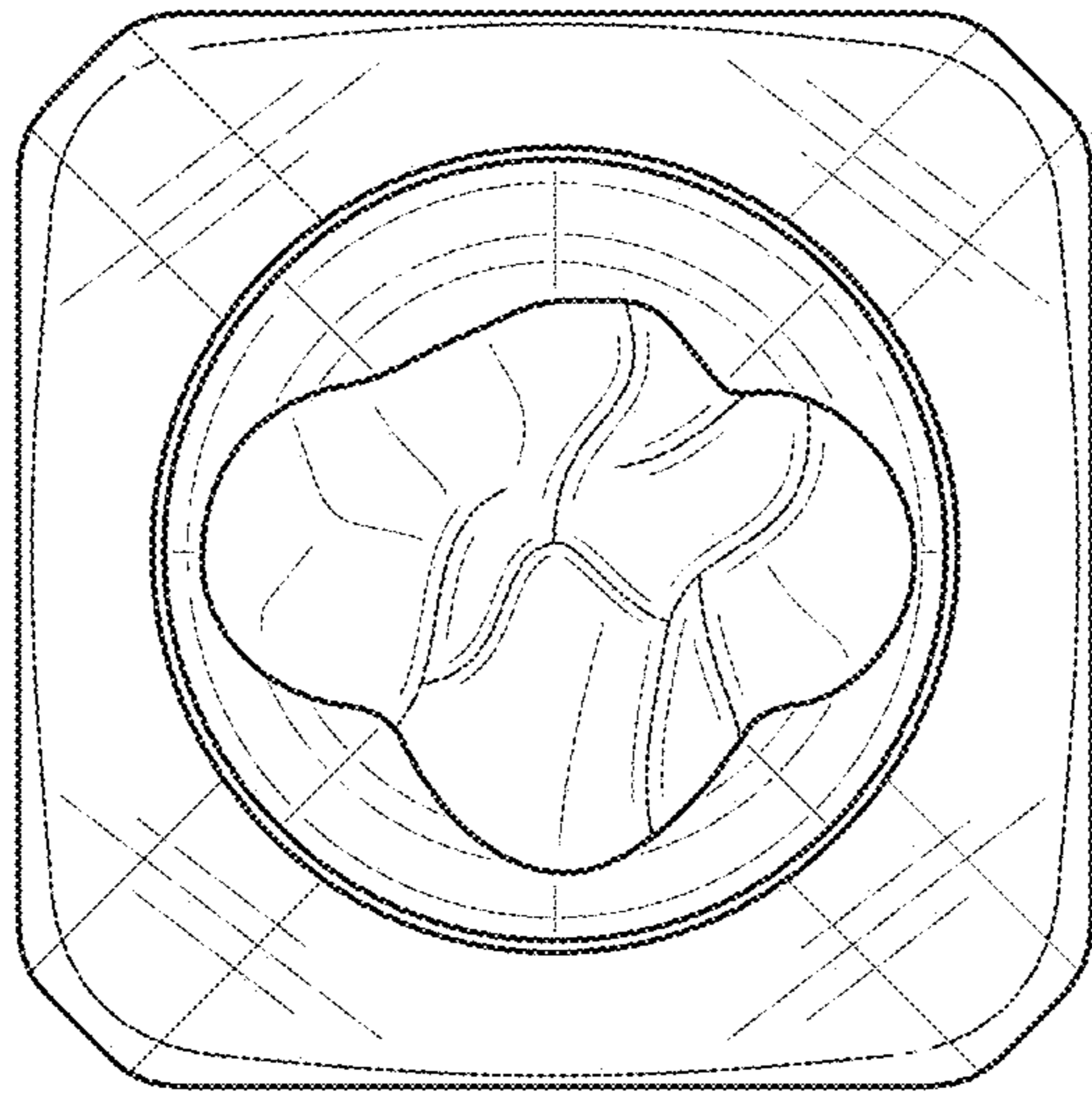


FIG. 8