



US00D945266S

(12) **United States Design Patent**
Héctor González Salas

(10) **Patent No.:** **US D945,266 S**
(45) **Date of Patent:** **** Mar. 8, 2022**

- (54) **CAP**
- (71) Applicant: **Mega Alimentos S.A. de C.V.**, Santa Catarina (MX)
- (72) Inventor: **Omar Héctor González Salas**, Monterrey (MX)
- (73) Assignee: **Mega Alimentos S.A. de C.V.**
- (**) Term: **15 Years**
- (21) Appl. No.: **29/662,931**
- (22) Filed: **Sep. 10, 2018**

(30) **Foreign Application Priority Data**

Mar. 9, 2018 (MX) MX/f/2018/000735

(51) **LOC (13) Cl.** **09-07**

(52) **U.S. Cl.**
USPC **D9/453**; D9/449; D9/451

(58) **Field of Classification Search**
 USPC D9/414, 434-436, 438-440, 443-457,
 D9/499, 503-505, 652, 682, 685, 686;
 D7/387, 391, 392, 392.1, 396.2-396.4,
 D7/401.1, 507, 509-511, 538, 900;
 D3/202, 203.2, 318; D28/91.1
 CPC .. A61J 1/00; A61J 1/1412; B65D 1/00; B65D
 1/02; B65D 1/10; B65D 1/46; B65D
 5/46; B65D 41/00; B65D 41/38; B65D
 41/56; B65D 41/62; B65D 47/00; B65D
 47/06; B65D 47/08; B65D 2251/00;
 B65D

(Continued)

(56) **References Cited**

U.S. PATENT DOCUMENTS

- D320,746 S * 10/1991 Bolen, Jr. D9/447
- D334,538 S * 4/1993 Bolen, Jr. D9/447

(Continued)

Primary Examiner — Wendy L Arminio
(74) *Attorney, Agent, or Firm* — Tumey L.L.P.

(57) **CLAIM**

The ornamental design for a cap, as shown and described.

DESCRIPTION

This file contains at least one drawing executed in color. Copies of this patent or patent application publication with color drawing(s) will be provided by the Office upon request and payment of the necessary fee.

FIG. 1 illustrates a perspective view of the top, front, and side of the cap;

FIG. 2 illustrates a top view of the cap;

FIG. 3 illustrates a bottom view of the cap;

FIG. 4 illustrates a perspective view of the top, back, and side of the cap;

FIG. 5 illustrates a left side view of the cap;

FIG. 6 illustrates a right side view of the cap;

FIG. 7 illustrates a front perspective view of the cap in an open position;

FIG. 8 illustrates a top view of the cap in an open position;

FIG. 9 illustrates a bottom view of the cap in an open position;

FIG. 10 illustrates a back perspective view of the cap in an open position;

FIG. 11 illustrates a left side view of the cap in an open position;

FIG. 12 illustrates a right side view of the cap in an open position;

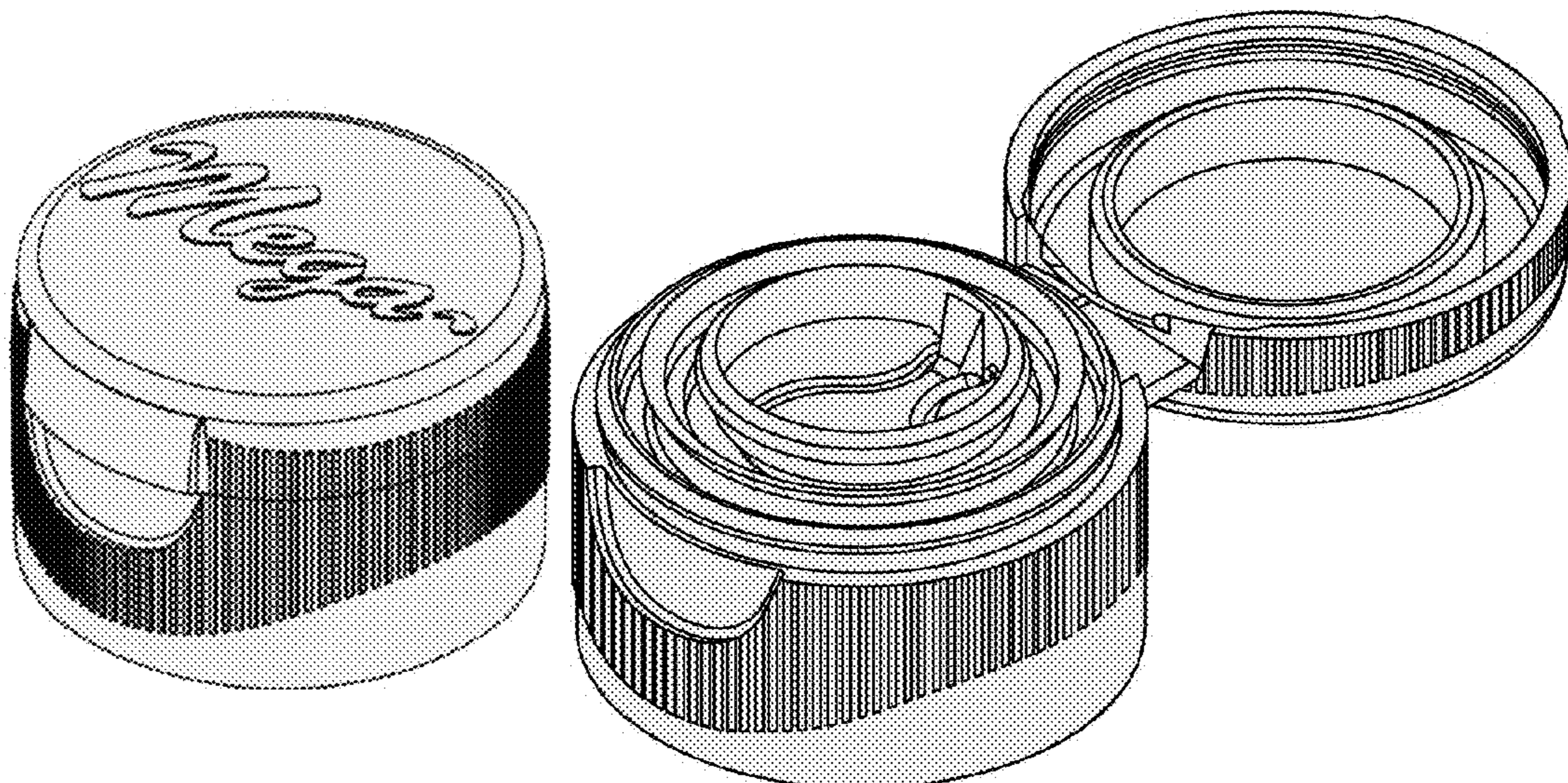
FIG. 13 illustrates a perspective view of the top, front, and side of the cap in an open position;

FIG. 14 illustrates a perspective view of the bottom, front, and side of the cap in an open position;

FIG. 15 illustrates a top cross-sectional view of the cap in an open position; and,

FIG. 16 illustrates a bottom cross-sectional view of the cap.

1 Claim, 8 Drawing Sheets
(8 of 8 Drawing Sheet(s) Filed in Color)



(58) **Field of Classification Search**

CPC 2543/00046; B65D 2543/00092; B65D
2543/00296; B65D 2585/56; B65D
2585/545

See application file for complete search history.

(56) **References Cited**

U.S. PATENT DOCUMENTS

D427,068	S	*	6/2000	Hierzer	D9/453
D427,906	S	*	7/2000	Carter	D9/453
D476,563	S	*	7/2003	Brozell	D9/453
D481,948	S	*	11/2003	Brozell	D9/443
D508,402	S	*	8/2005	Hierzer	D9/453
D577,999	S	*	10/2008	Pivert	D9/453
D585,740	S	*	2/2009	Wilson	D9/453
D585,742	S	*	2/2009	Wilson	D9/453
D586,213	S	*	2/2009	Wells	D9/453
D601,020	S	*	9/2009	Arnell	D9/451
D607,326	S	*	1/2010	Branson	D9/453
7,870,980	B2	*	1/2011	Wilson	B65D 47/40 222/571
D638,707	S	*	5/2011	Stoffers	D9/451
D694,587	S	*	12/2013	Slocumb	D9/453
D701,773	S	*	4/2014	Caporin	D9/516
D750,484	S	*	3/2016	Boston	D9/434
D750,494	S	*	3/2016	Boston	D9/499
D759,484	S	*	6/2016	Pastre	D9/449
2018/0162606	A1	*	6/2018	Zeng	B65D 47/32

* cited by examiner

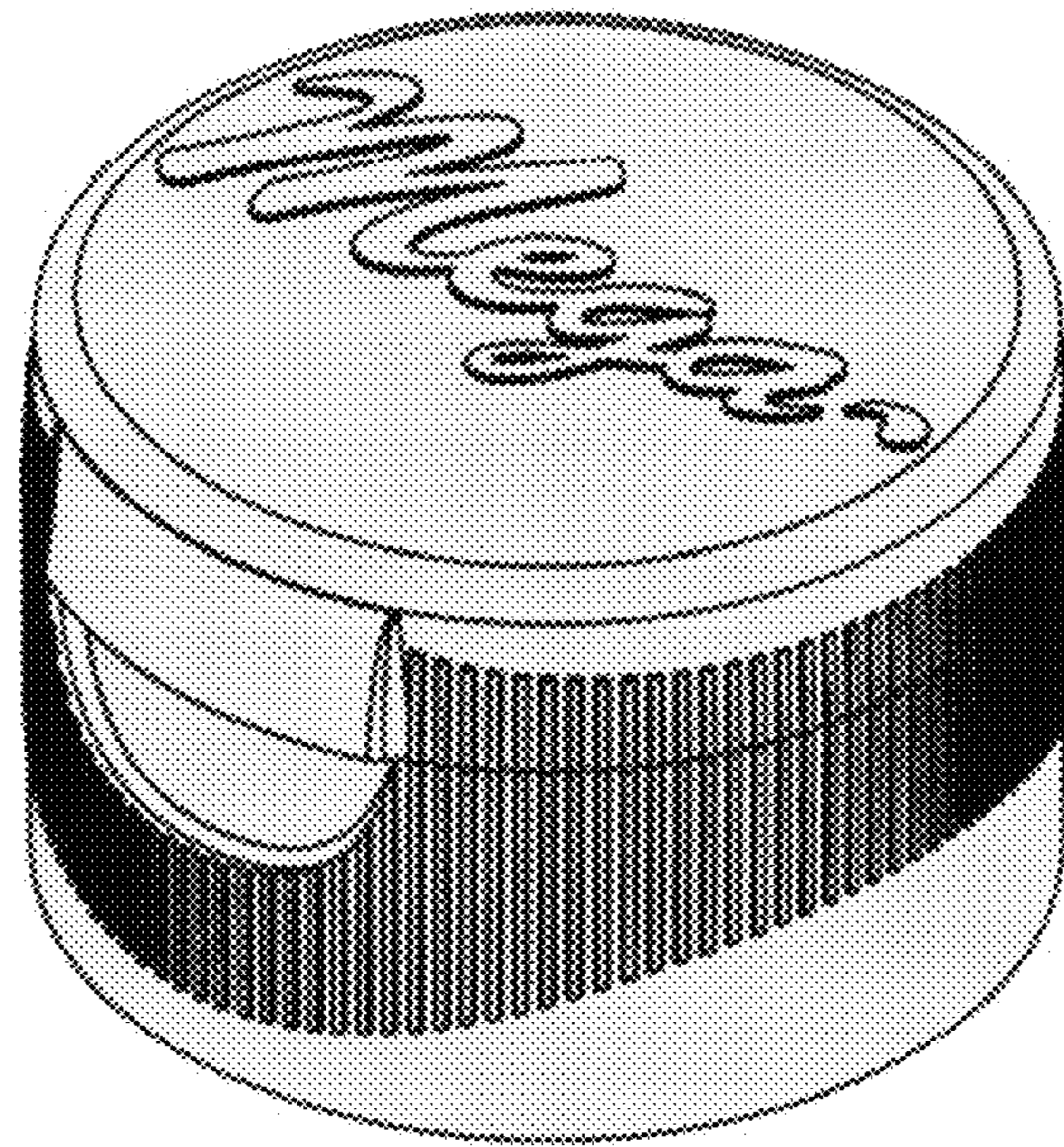


FIG. 1

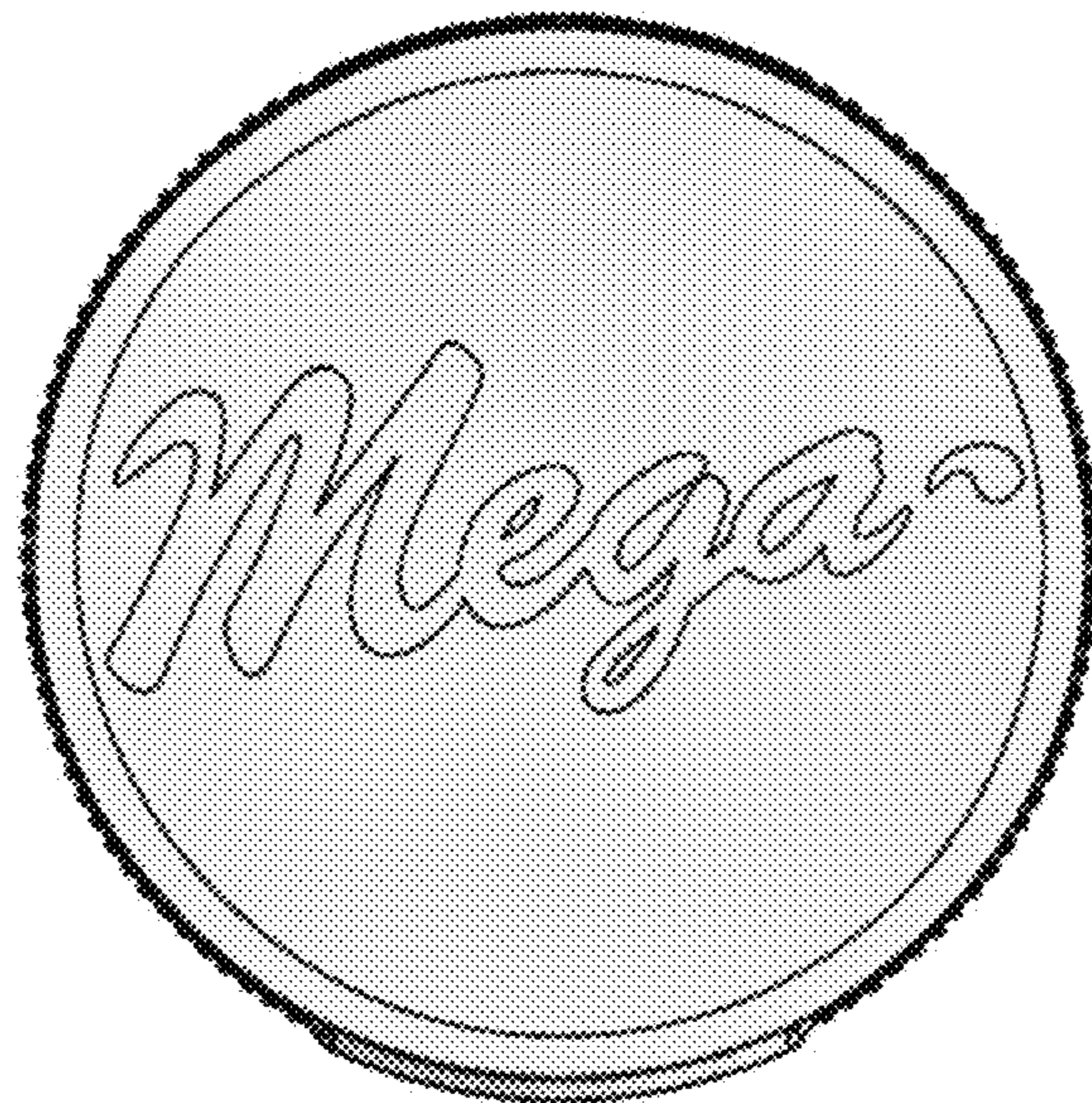


FIG. 2

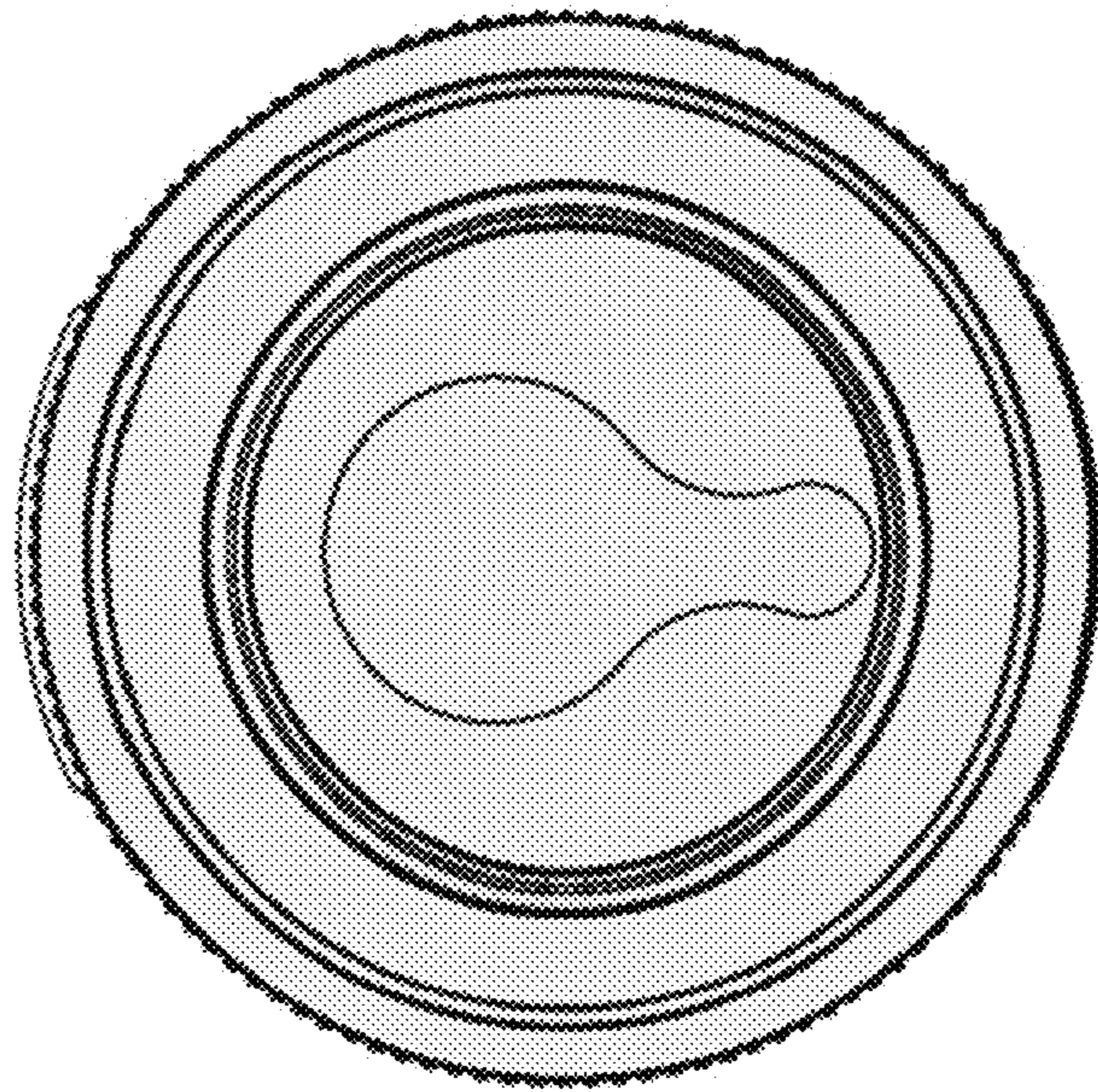


FIG. 3

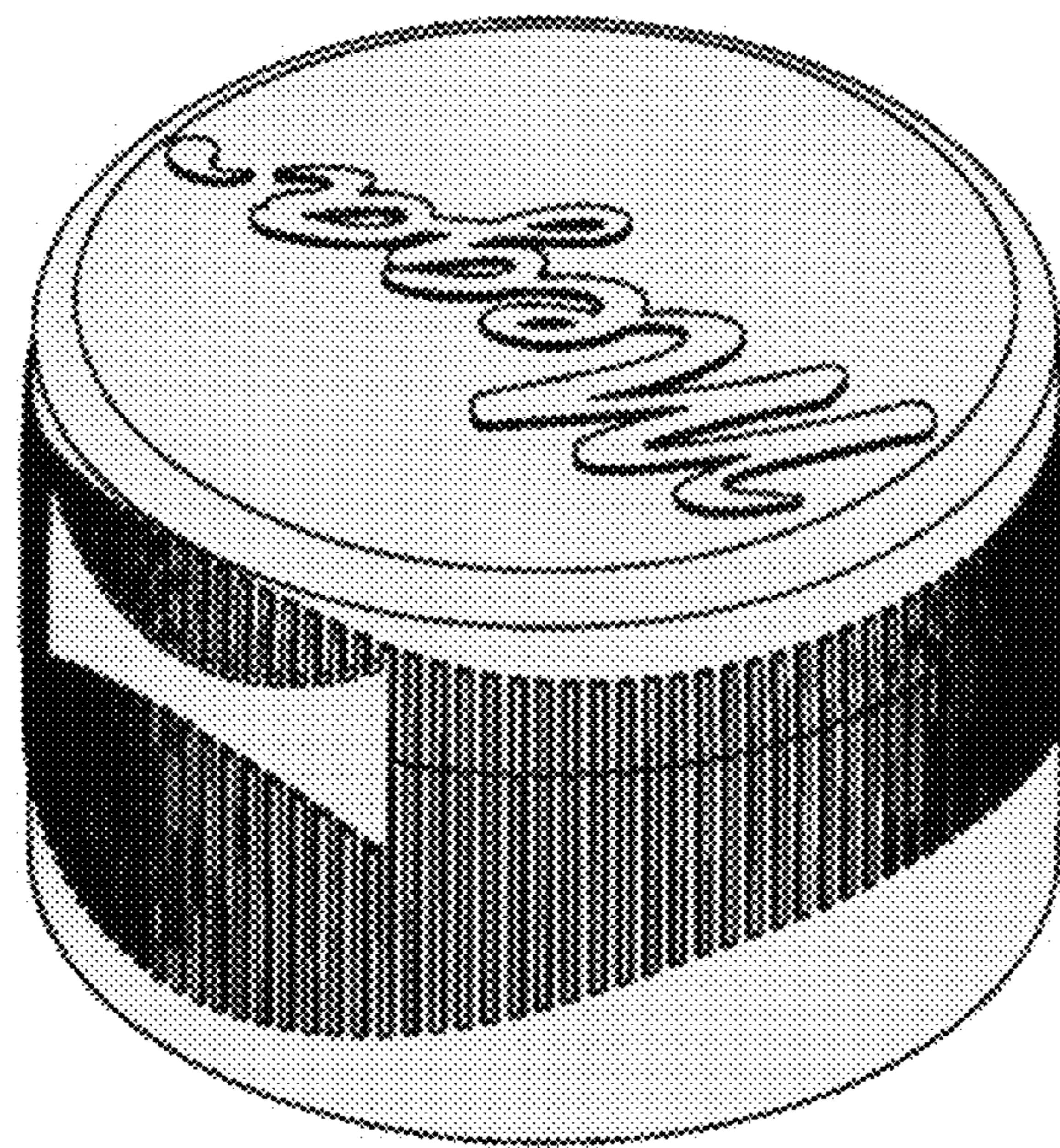


FIG. 4

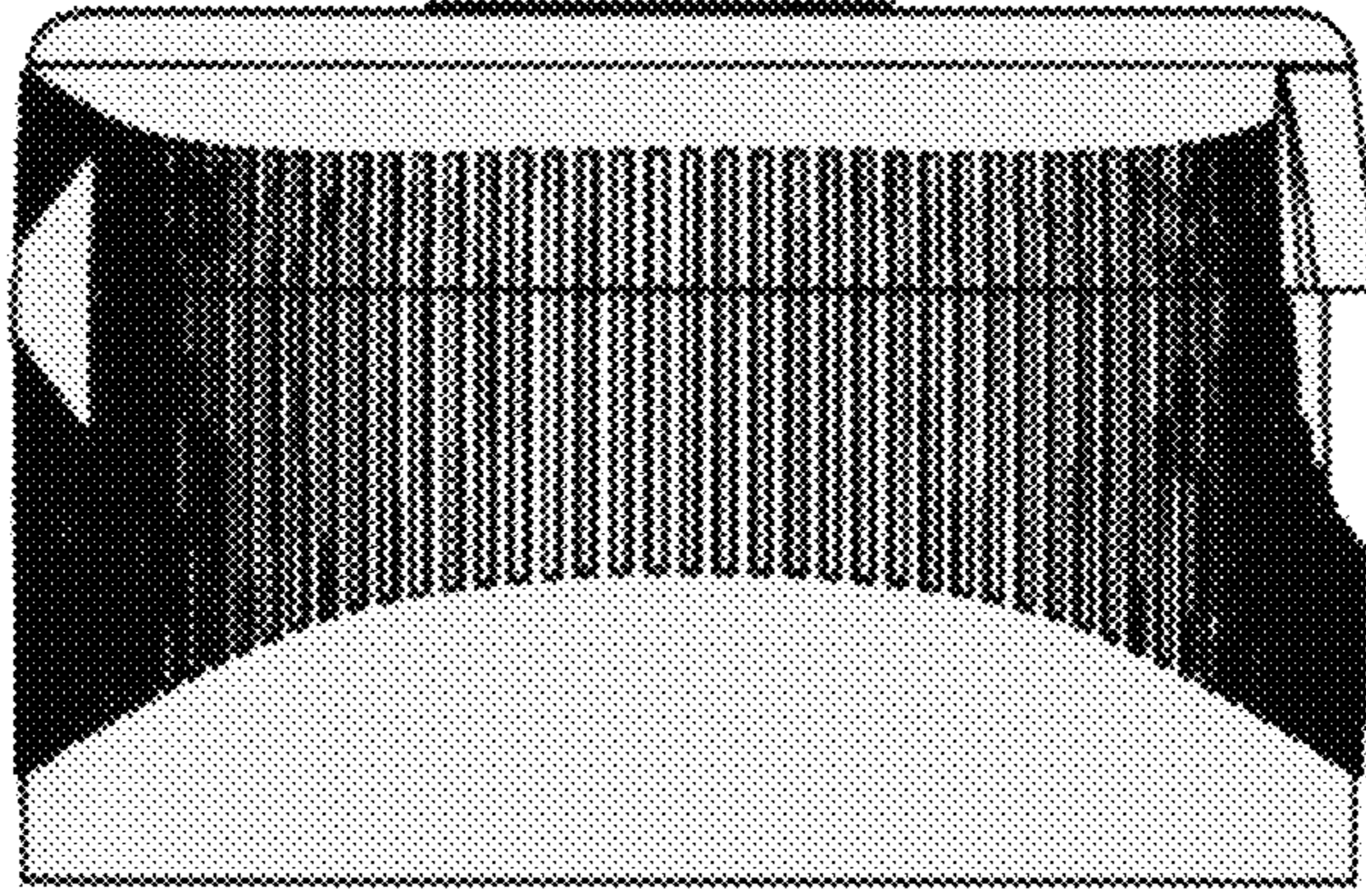


FIG. 5

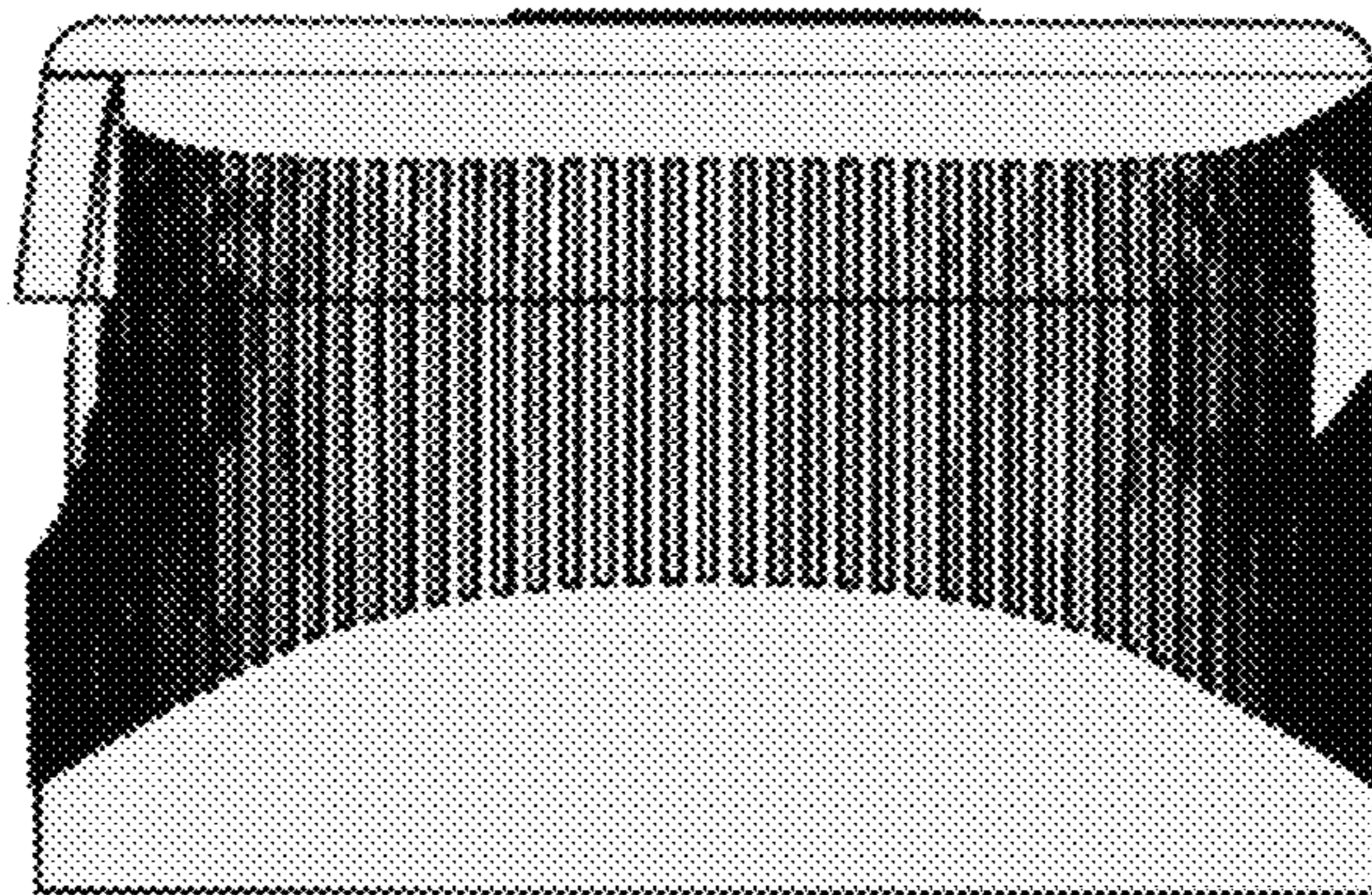


FIG. 6

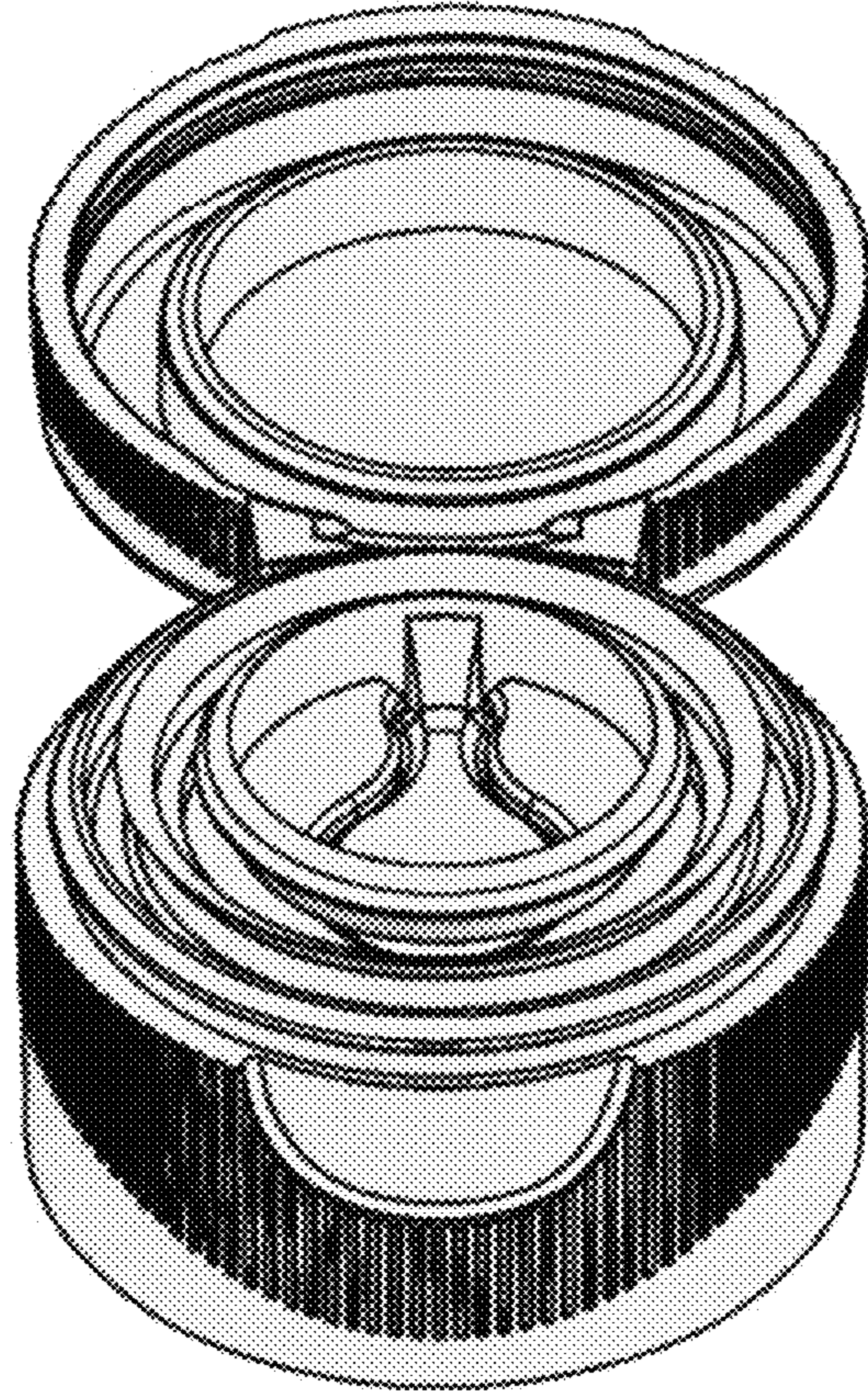


FIG. 7

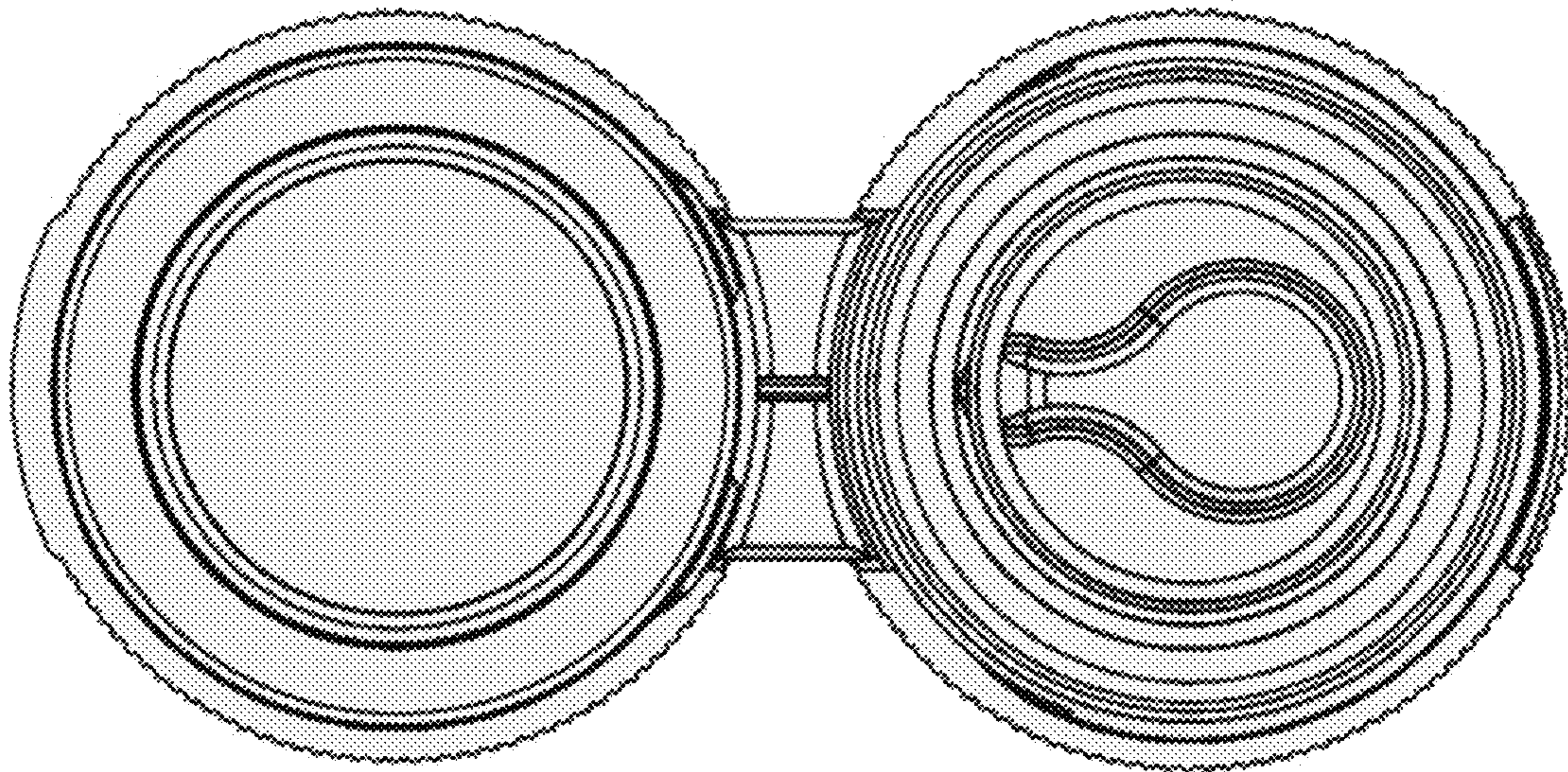


FIG. 8

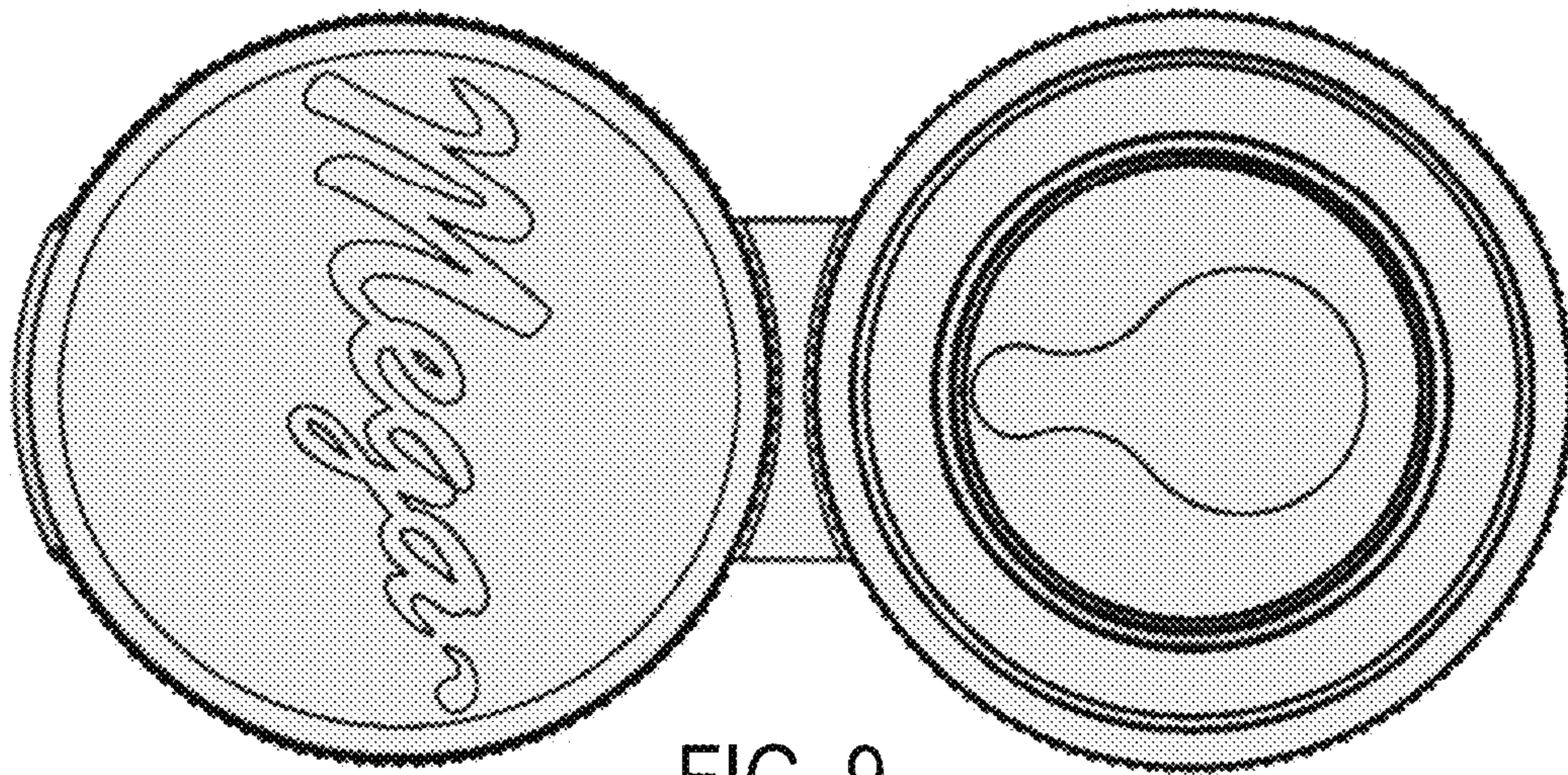


FIG. 9

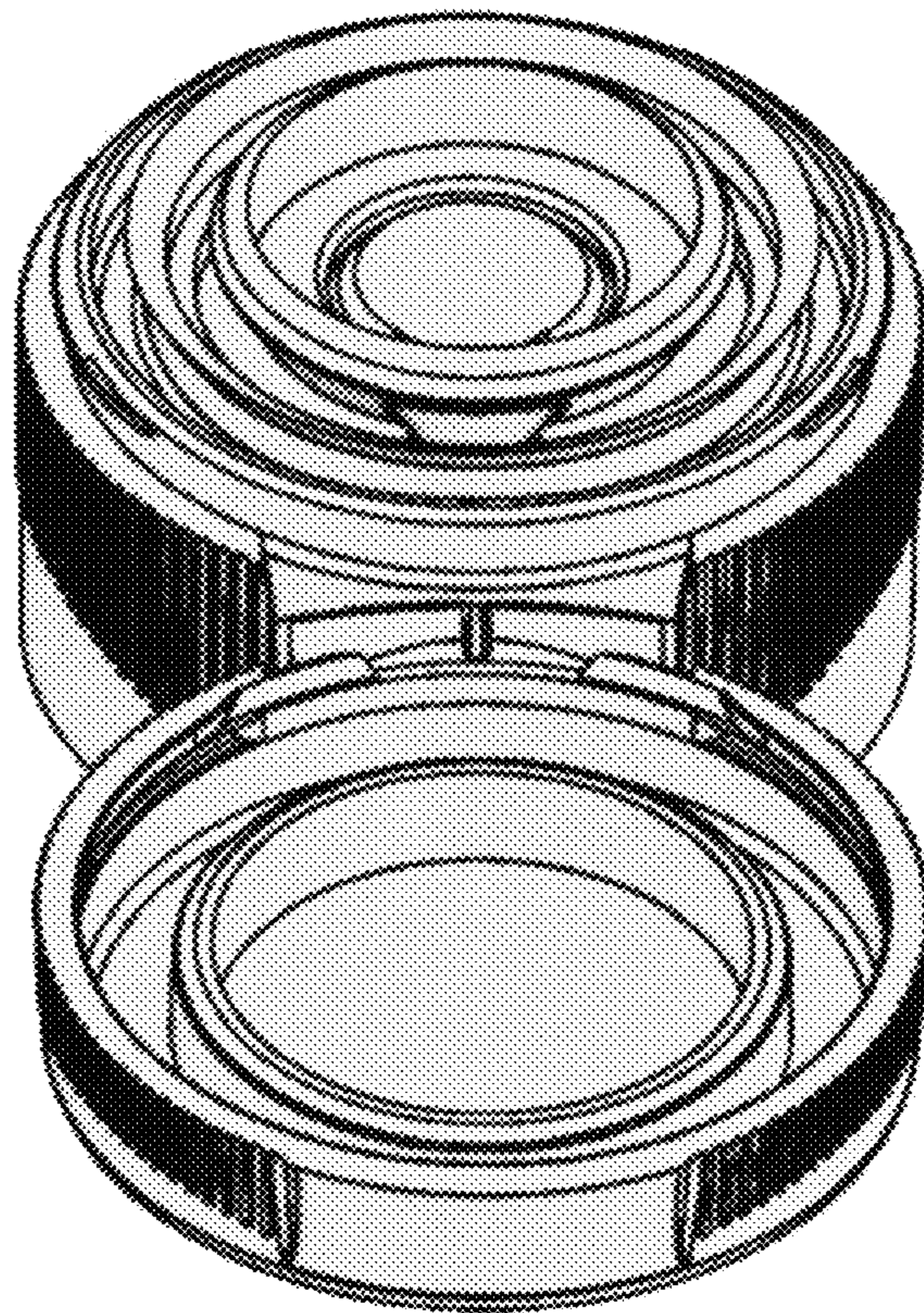


FIG. 10

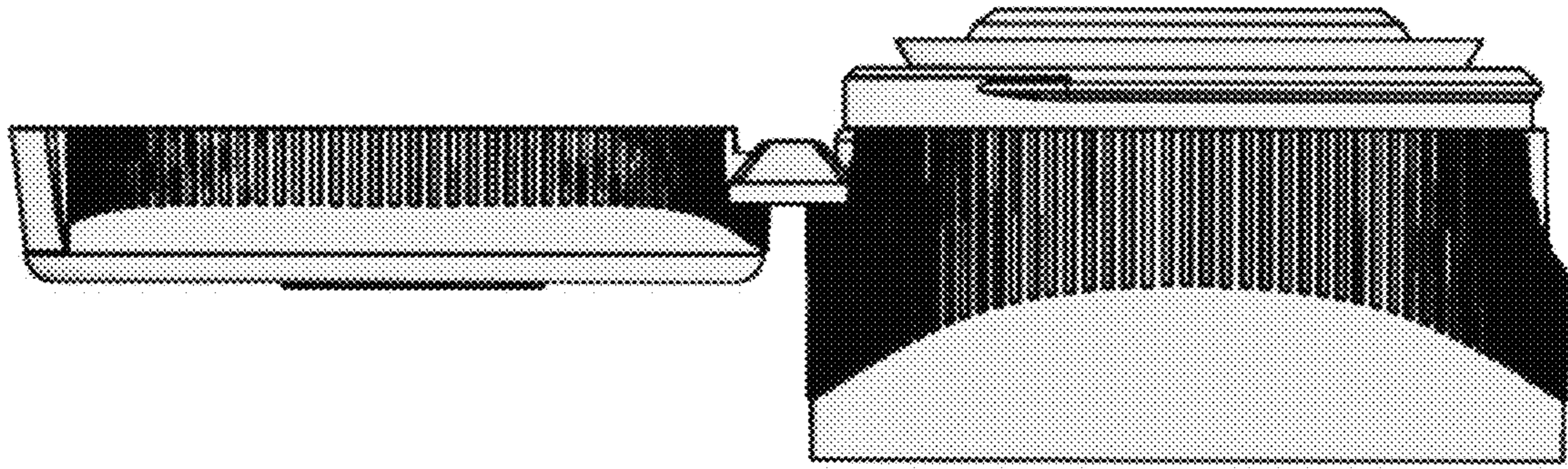


FIG. 11

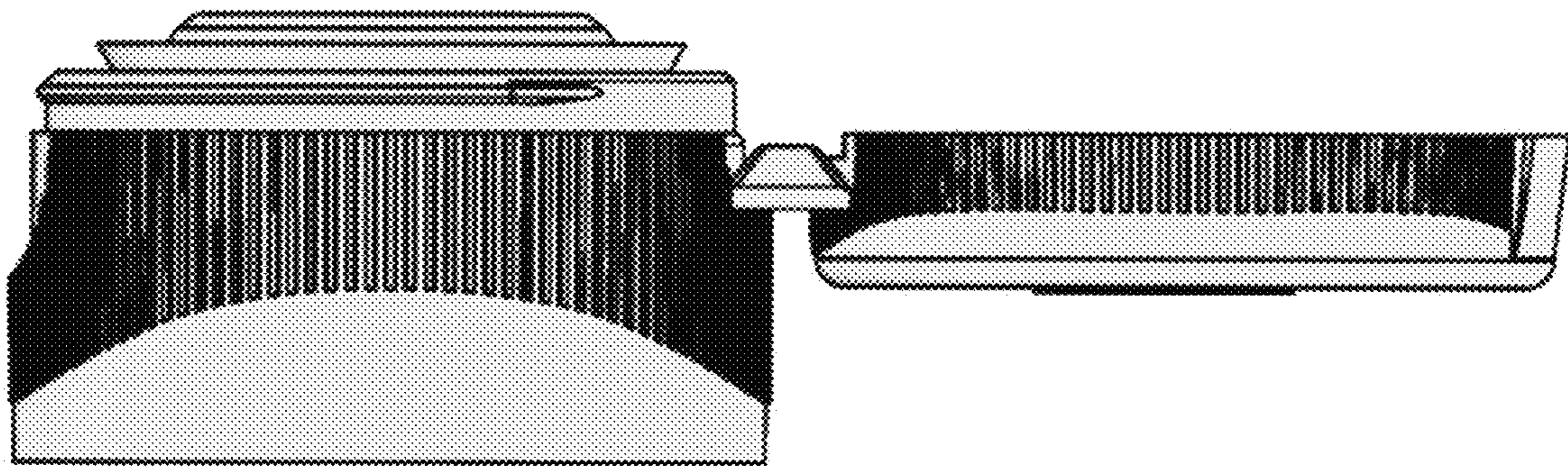


FIG. 12

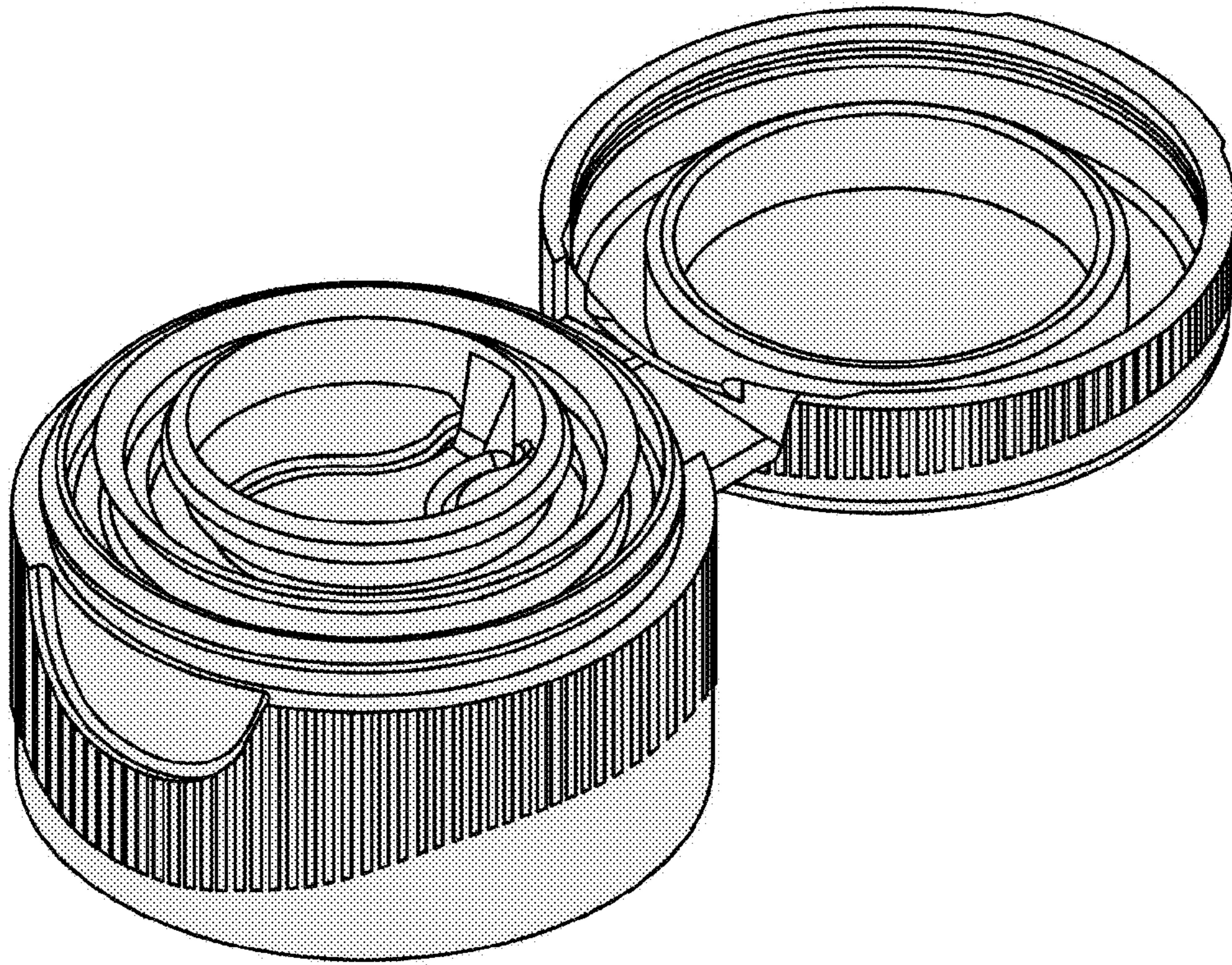


FIG. 13

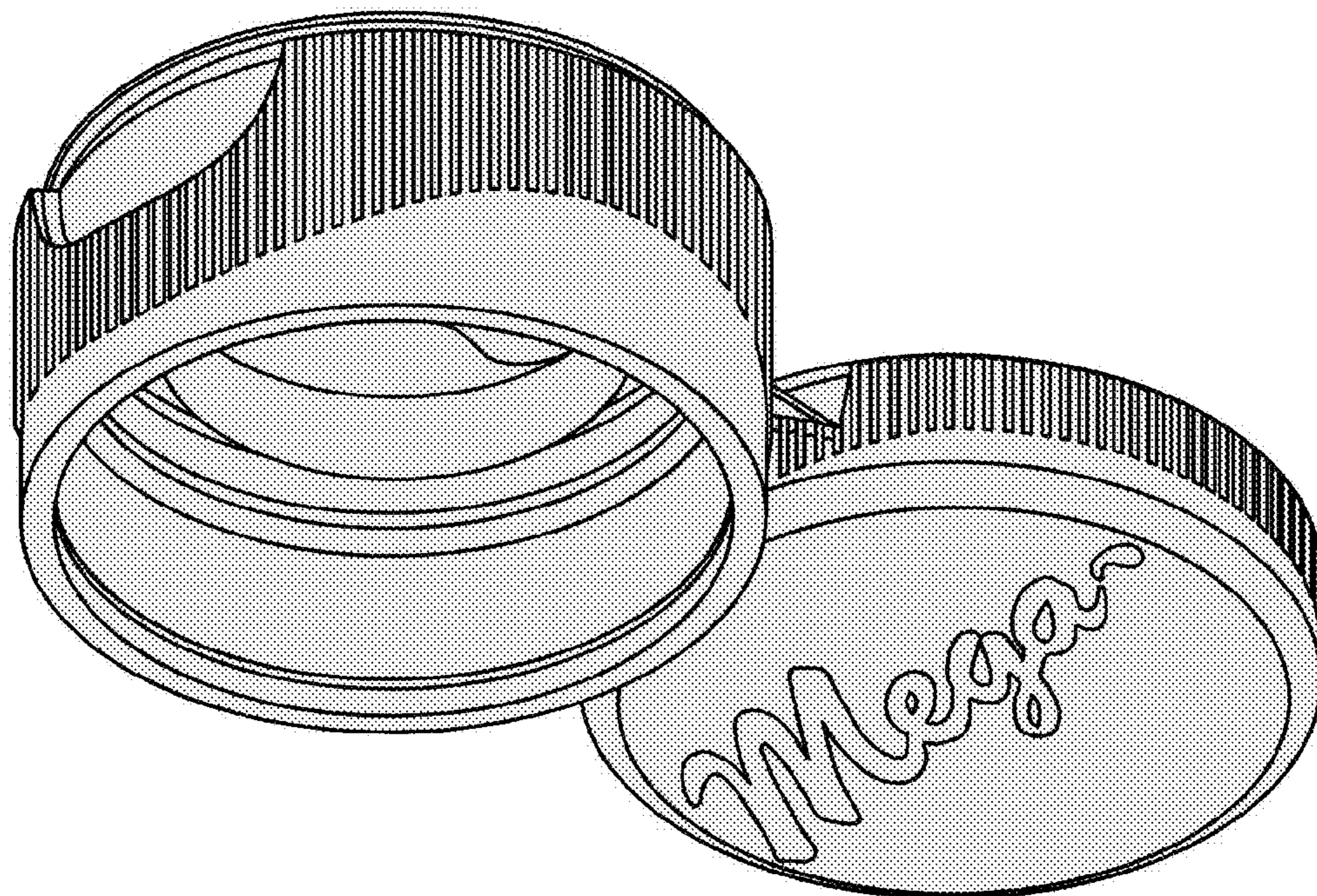


FIG. 14

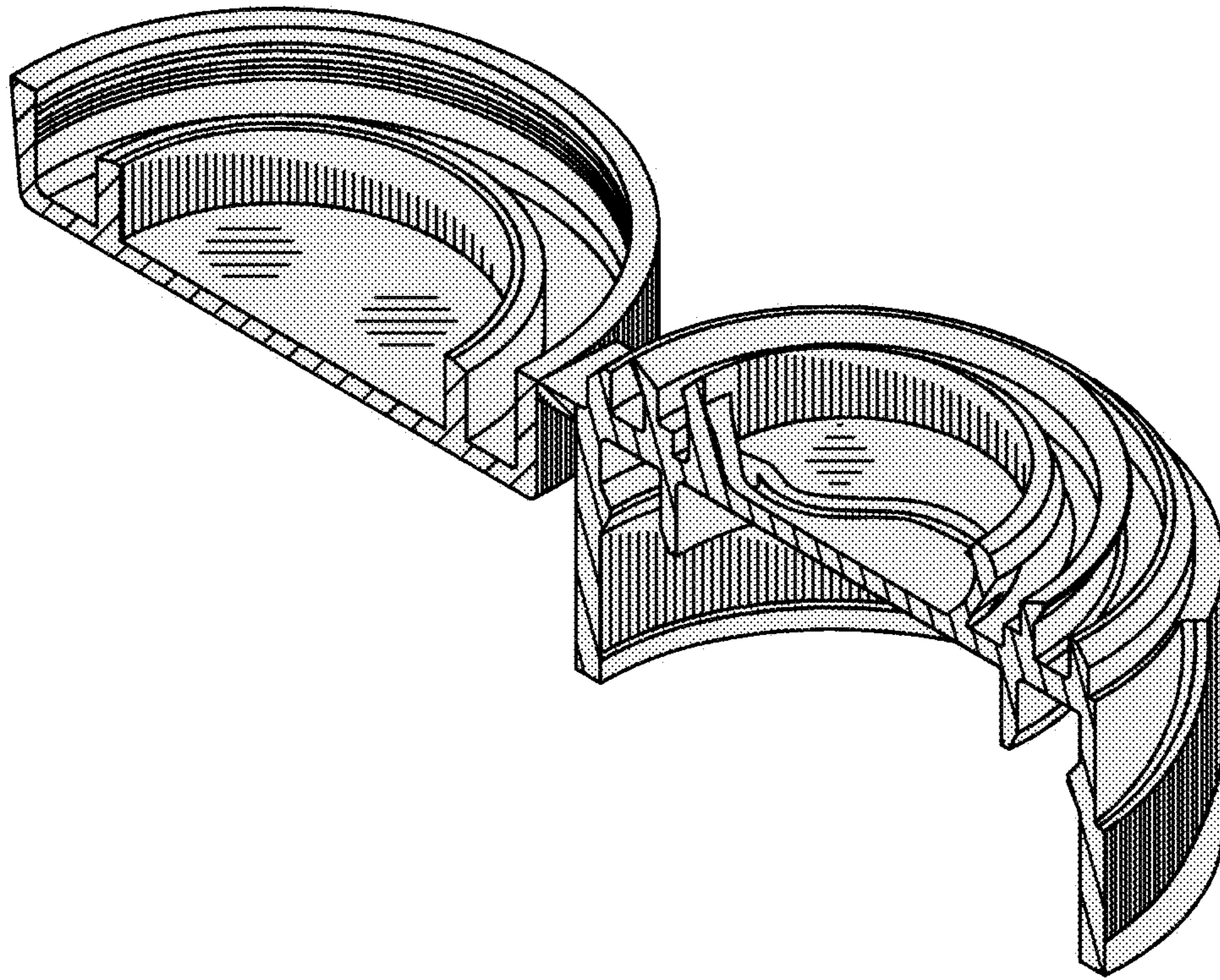


FIG. 15

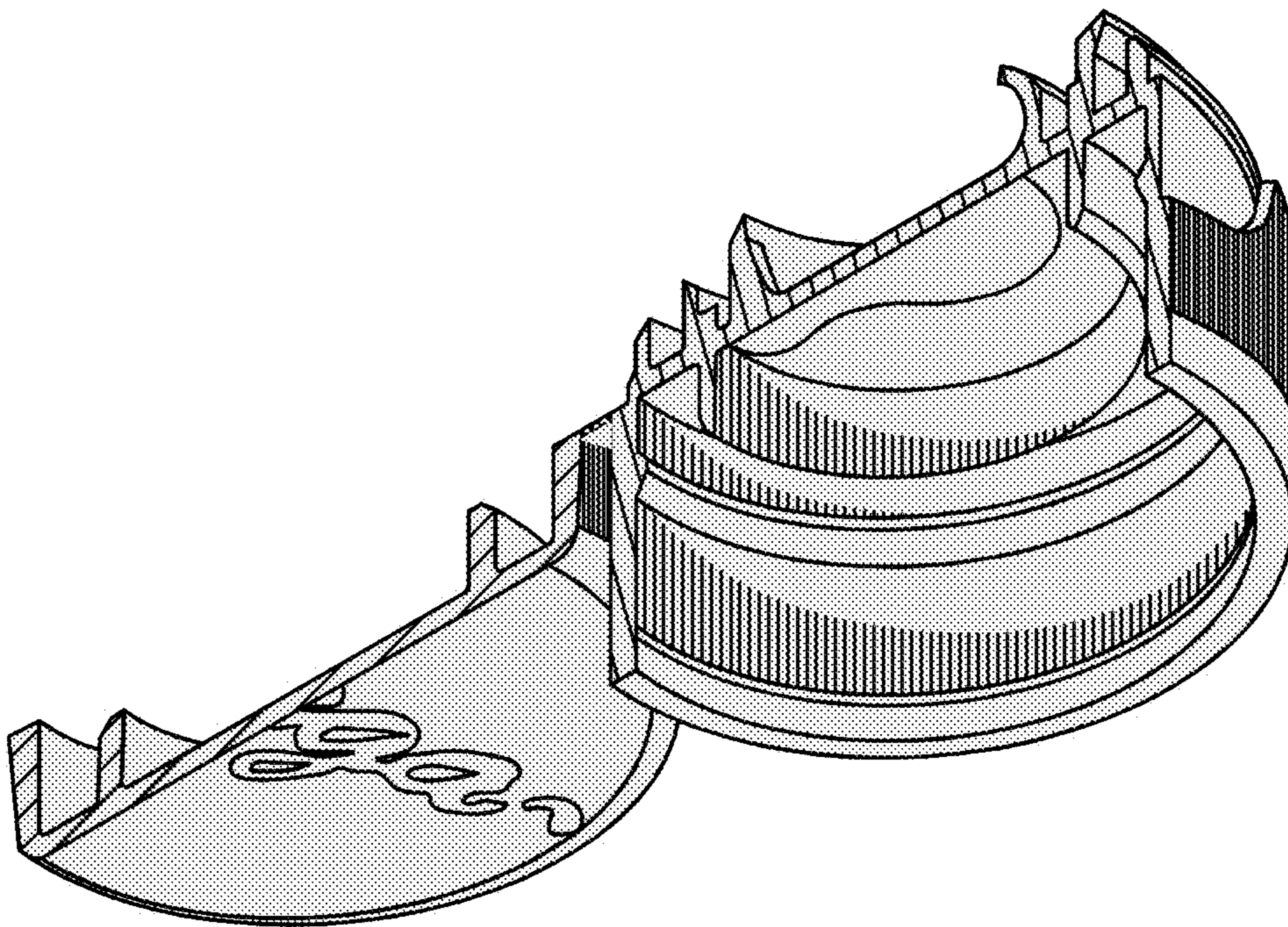


FIG. 16