



US00D945264S

(12) **United States Design Patent**
Eickhoff et al.

(10) **Patent No.:** **US D945,264 S**
(45) **Date of Patent:** **** Mar. 8, 2022**

(54) **DRINK CUP LID**
(71) Applicant: **Berry Global, Inc.**, Evansville, IN (US)
(72) Inventors: **Jonathan Eickhoff**, Evansville, IN (US); **Braxton Bragg**, Evansville, IN (US); **Jeffrey A. Mann**, Evansville, IN (US)
(73) Assignee: **Berry Global, Inc.**, Evansville, IN (US)
(**) Term: **15 Years**

6,811,049 B2 * 11/2004 Lukacevic B65D 43/0212
220/254.3
6,824,003 B1 11/2004 Wong
6,886,707 B2 5/2005 Giraud
D516,912 S 3/2006 LaMasney
(Continued)

FOREIGN PATENT DOCUMENTS

AU 201617172 S 1/2016
AU 201612367 S 6/2016
(Continued)

OTHER PUBLICATIONS

YouTube.com—Berry Global, Strawless Lid, Publication date Nov. 12, 2019, [site visited Oct. 21, 2021], Available on the Internet URL <https://www.youtube.com/watch?v=6-h4MxiAe-8> (Year: 2019).*
(Continued)

(21) Appl. No.: **29/701,929**
(22) Filed: **Aug. 15, 2019**
(51) **LOC (13) Cl.** **09-07**
(52) **U.S. Cl.**
USPC **D9/449**
(58) **Field of Classification Search**
USPC D3/202; D7/392, 392.1, 509, 510, 534,
D7/732; D9/435, 447, 449
CPC A47G 19/2272; A47G 19/22; B65D 43/02;
B65D 47/08
See application file for complete search history.

Primary Examiner — S. Bryan Reinholdt, Jr.
(74) *Attorney, Agent, or Firm* — Eric L. Johnson

(57) **CLAIM**

The ornamental design for a drink cup lid, as shown and described.

(56) **References Cited**

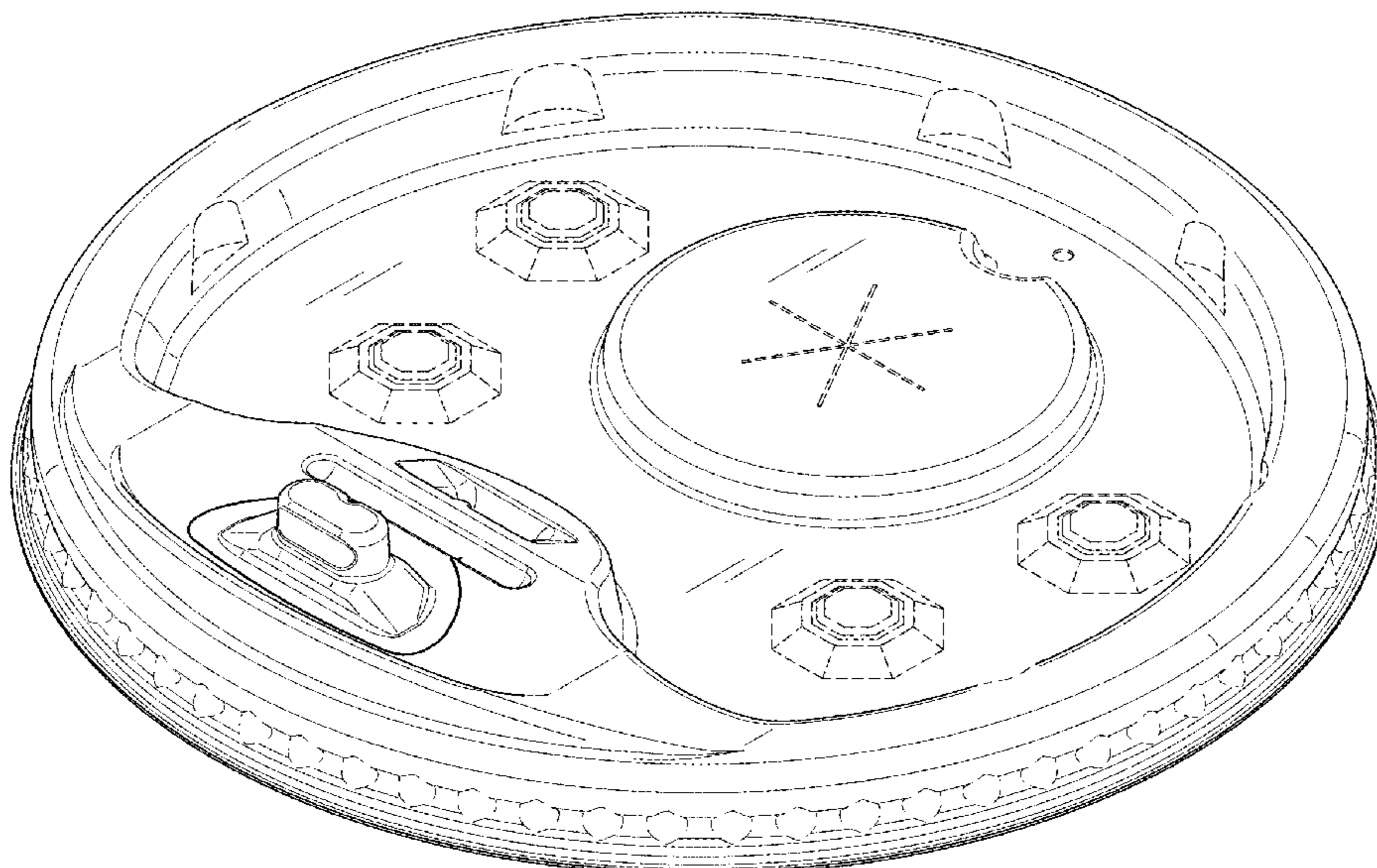
U.S. PATENT DOCUMENTS

D260,492 S * 9/1981 Scott D7/392.1
D360,133 S * 7/1995 Boller D9/447
D379,928 S * 6/1997 Freek D7/392.1
D390,465 S * 2/1998 Frye D9/447
5,839,601 A 11/1998 Van Melle
D405,011 S * 2/1999 DeCoster D9/447
5,911,331 A 6/1999 Boller
D417,845 S * 12/1999 Sadlier D7/511
D447,412 S * 9/2001 Durdon D9/438
D476,567 S * 7/2003 Weiss D9/438
D480,968 S * 10/2003 Atkins D9/435
D481,633 S * 11/2003 Schmidtner D9/435
6,644,490 B2 11/2003 Clarke
D487,399 S * 3/2004 Schmidtner D9/435

DESCRIPTION

FIG. 1 is a top perspective view of a drink cup lid showing my new design;
FIG. 2 is a bottom perspective view thereof;
FIG. 3 is a top view thereof;
FIG. 4 is a bottom view thereof;
FIG. 5 is a front view thereof;
FIG. 6 is a back view thereof;
FIG. 7 is a right side view thereof; and,
FIG. 8 is a left side view thereof.
In the drawings, the broken lines show portions of a drink cup lid and form no part of the claim.

1 Claim, 6 Drawing Sheets



(56)

References Cited

U.S. PATENT DOCUMENTS

D516,913 S 3/2006 LaMasney
 D524,644 S 7/2006 Weiss et al.
 D524,645 S 7/2006 LaMasney
 D524,646 S 7/2006 Hellenbrand et al.
 D524,662 S 7/2006 Fager et al.
 D527,626 S 9/2006 Weiss et al.
 D530,197 S 10/2006 LaMasney
 D531,028 S 10/2006 Weiss et al.
 D532,294 S 11/2006 Fager et al.
 7,134,566 B2 11/2006 Smith et al.
 D533,058 S 12/2006 Weiss et al.
 D533,778 S * 12/2006 Hollis D9/447
 D534,420 S 1/2007 Fager
 D541,147 S 4/2007 LaMasney
 D562,132 S 2/2008 LaMasney
 D562,134 S 2/2008 Studee
 D562,135 S 2/2008 Studee
 D569,269 S 5/2008 LaMasney
 D569,270 S 5/2008 LaMasney
 D572,587 S * 7/2008 Rush D9/447
 D578,353 S 10/2008 LaMasney
 D587,995 S 3/2009 Studee
 D598,741 S 8/2009 LaMasney
 D598,743 S 8/2009 LaMasney
 D609,566 S 2/2010 LaMasney
 D614,028 S 4/2010 Daniel et al.
 7,874,449 B1 1/2011 Studee et al.
 7,985,062 B2 7/2011 Chesney
 7,992,741 B2 * 8/2011 Hundley B65D 47/0847
 220/254.5
 8,418,871 B1 4/2013 LaMasney
 8,573,397 B1 11/2013 Fager et al.
 8,573,400 B1 11/2013 LaMasney
 8,616,405 B2 12/2013 French et al.
 8,857,615 B1 10/2014 LaMasney
 8,863,953 B1 10/2014 Fager et al.
 8,870,015 B1 10/2014 LaMasney
 D721,584 S * 1/2015 Koennecke D9/449
 9,034,231 B2 5/2015 Tabor et al.
 D751,338 S 3/2016 Seiders et al.
 D751,339 S 3/2016 Seiders et al.
 D751,340 S 3/2016 Seiders et al.
 D751,341 S 3/2016 Seiders et al.
 D752,436 S 3/2016 Crudgington
 9,364,107 B2 6/2016 Bolek et al.
 D760,586 S 7/2016 Seiders et al.
 D761,619 S 7/2016 Seiders et al.
 9,452,867 B2 9/2016 Koestring et al.
 9,561,885 B1 2/2017 Studee
 D780,577 S 3/2017 Seiders et al.
 D781,145 S 3/2017 Seiders et al.
 D781,146 S 3/2017 Seiders et al.
 9,730,540 B2 8/2017 Tabor et al.
 D802,419 S 11/2017 Seiders et al.
 D802,994 S 11/2017 Seiders et al.
 D803,619 S 11/2017 Seiders et al.
 D803,684 S 11/2017 Seiders et al.
 9,814,334 B2 11/2017 Eickhoff et al.
 9,833,960 B2 12/2017 Crudgington
 D808,802 S 1/2018 Seiders et al.
 9,913,553 B2 3/2018 Milan
 D815,893 S 4/2018 Seiders et al.
 D816,285 S 4/2018 Seiders et al.
 9,944,435 B2 4/2018 Mithal
 10,004,348 B2 6/2018 Sorensen et al.
 10,016,079 B2 7/2018 Chiang et al.
 10,028,603 B2 7/2018 Sorensen et al.
 10,112,752 B2 10/2018 Tonn et al.
 D838,590 S 1/2019 Lee et al.
 D838,591 S 1/2019 Lee et al.
 10,167,117 B2 1/2019 Chang
 10,172,488 B2 1/2019 Sorensen et al.
 10,188,231 B2 1/2019 Hung
 10,201,241 B2 2/2019 Eickhoff et al.
 10,202,226 B1 2/2019 Schultz

D845,128 S * 4/2019 Eickhoff D9/453
 D876,233 S * 2/2020 Pan D9/447
 D886,575 S * 6/2020 Lai D9/417
 D887,203 S * 6/2020 Pan D7/396.2
 11,014,722 B2 * 5/2021 Peng A47G 19/2272
 2001/0020623 A1 9/2001 McDonough et al.
 2002/0070220 A1 6/2002 Kuehn et al.
 2002/0148334 A1 10/2002 Wolfe
 2003/0218017 A1 11/2003 Schmidtner et al.
 2005/0161455 A1 7/2005 Studee
 2008/0061069 A1 3/2008 Edelstein et al.
 2008/0264959 A1 10/2008 Unda et al.
 2009/0014923 A1 1/2009 Chesney
 2009/0065518 A1 3/2009 Carnevali
 2009/0266828 A1 10/2009 Cai et al.
 2009/0308882 A1 12/2009 Hundley
 2010/0133272 A1 6/2010 Whitaker et al.
 2011/0049171 A1 3/2011 Morgan
 2011/0284564 A1 * 11/2011 Hsieh A47G 19/22
 220/713
 2013/0200088 A1 8/2013 Muir
 2014/0284344 A1 9/2014 French et al.
 2015/0021345 A1 * 1/2015 Wu A47G 19/2272
 220/715
 2015/0076151 A1 * 3/2015 Knipe B65D 43/02
 220/254.3
 2016/0198875 A1 * 7/2016 Mithal B65D 43/0212
 220/713
 2016/0278554 A1 9/2016 Bolek et al.
 2017/0112306 A1 4/2017 Muir
 2017/0121072 A1 5/2017 Seiders et al.
 2017/0121073 A1 5/2017 Seiders et al.
 2017/0121074 A1 5/2017 Seiders et al.
 2017/0369214 A1 * 12/2017 Seidler B65D 47/0823
 2018/0042413 A1 2/2018 Althaher et al.
 2018/0042414 A1 2/2018 Eickhoff et al.
 2018/0065333 A1 3/2018 Crudgington
 2018/0127168 A1 5/2018 Fleming
 2018/0134465 A1 5/2018 Kuo
 2018/0140120 A1 5/2018 Shackelford
 2018/0177315 A1 6/2018 Thrasher
 2018/0186528 A1 7/2018 Tonn et al.
 2018/0237205 A1 8/2018 Strominger
 2018/0257824 A1 9/2018 Sloan
 2018/0290798 A1 10/2018 Peng et al.
 2018/0327149 A1 11/2018 Abdiye et al.
 2019/0008297 A1 1/2019 Zhang et al.
 2019/0023459 A1 1/2019 Fleming
 2020/0055640 A1 * 2/2020 Lee A47G 19/2272
 2021/0047083 A1 * 2/2021 Eickhoff A47G 19/2272

FOREIGN PATENT DOCUMENTS

AU 201612369 S 6/2016
 AU 201612371 S 6/2016
 AU 201612372 S 6/2016
 AU 201612694 S 6/2016
 AU 201612695 S 6/2016
 AU 201712067 S 4/2017
 AU 201712068 S 4/2017
 AU 201713545 S 6/2017
 AU 201713549 S 6/2017
 AU 201713551 S 6/2017
 AU 201715048 S 9/2017
 CA 3003731 A1 5/2017
 CA 168247 S 9/2017
 CA 168584 S 9/2017
 CA 168585 S 9/2017
 CA 172047 S 9/2017
 CA 172048 S 9/2017
 CA 172049 S 9/2017
 CA 172244 S 9/2017
 CA 2935105 C 8/2018
 CA 2934955 C 1/2019
 KR 300910027 S 6/2017
 KR 300910029 S 6/2017
 TW 201028344 A 8/2010
 TW M459191 U 8/2013

(56)

References Cited

FOREIGN PATENT DOCUMENTS

TW	M465118	U	11/2013
TW	201417755	A	5/2014
TW	M483250	U	8/2014
TW	M491015	U	12/2014
TW	M493524	U	1/2015
TW	MM500081	U	5/2015
TW	M530793	U	10/2016
TW	M531938	U	11/2016
TW	M572350	U	1/2019
WO	2014014844	A1	1/2014
WO	2017075482	A1	5/2017

OTHER PUBLICATIONS

Swin Chamber website, Berry Global's Strawless Lids, Publication date Jan. 6, 2020, [site visited Oct. 21, 2021], Available on the Internet URL <https://swinchamber.com/berry-globals-strawless-lids-an-accelerated-solution-to-support-the-circular-economy/> (Year: 2020).*

Berry Global Catalog, Thermoform Strawless Lid for Plastic Cup, Publication date unknown, [site visited Oct. 21, 2021], Available on the Internet URL <https://catalog.berryglobal.com/products/lid/lidrink/dlt402slcp> (Year: 2021).*

* cited by examiner

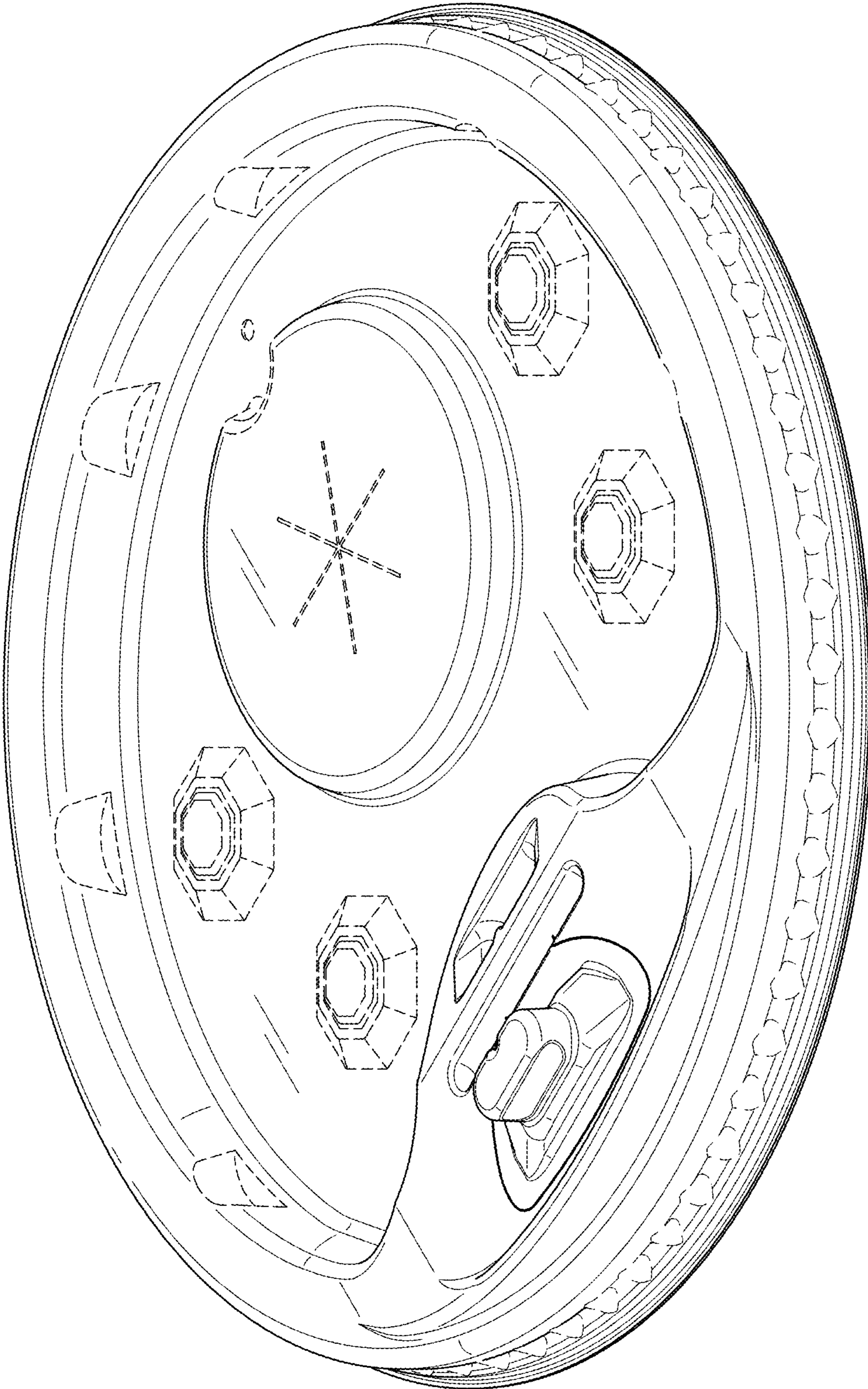


FIG. 1

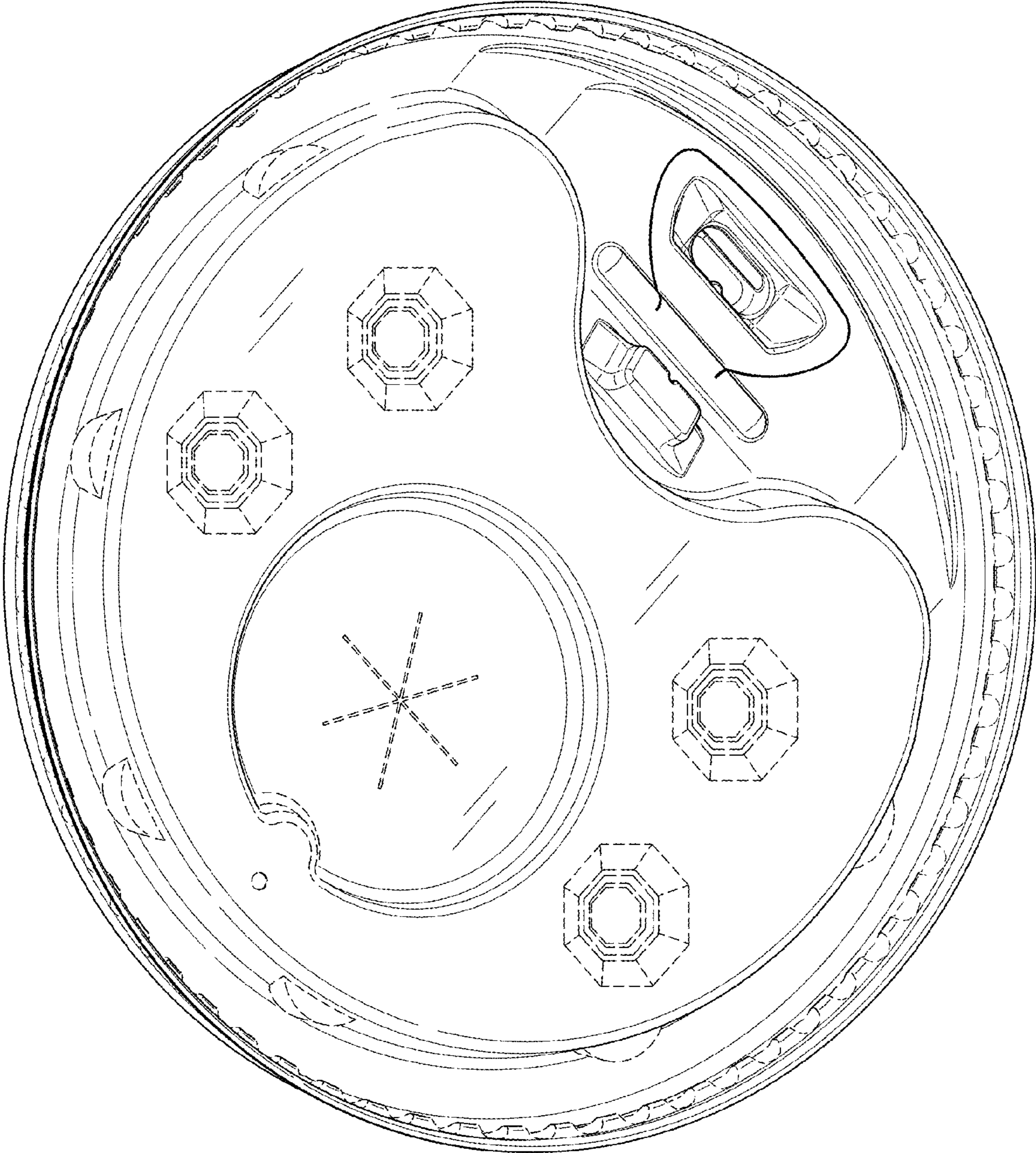


FIG. 2

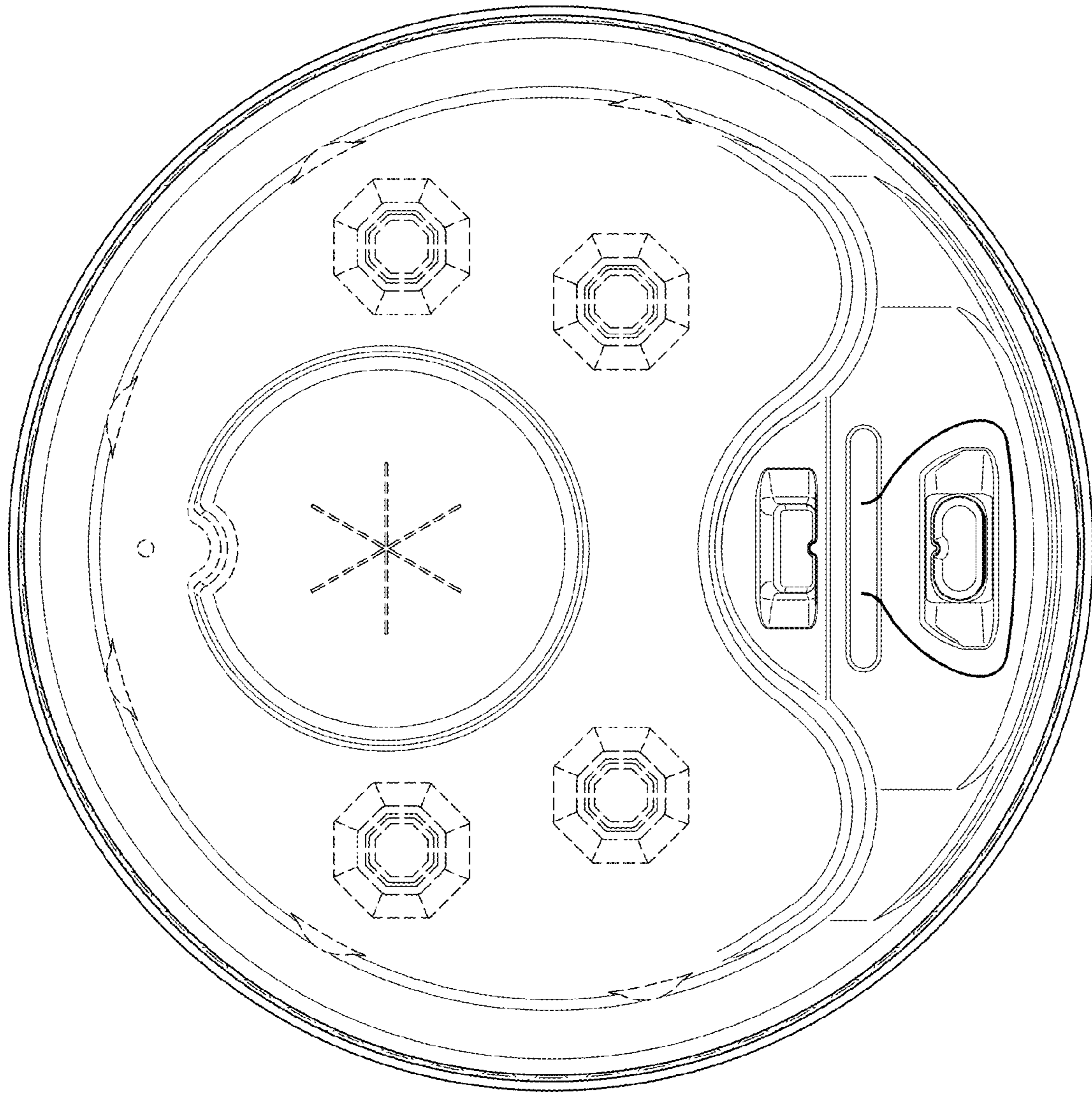


FIG. 3

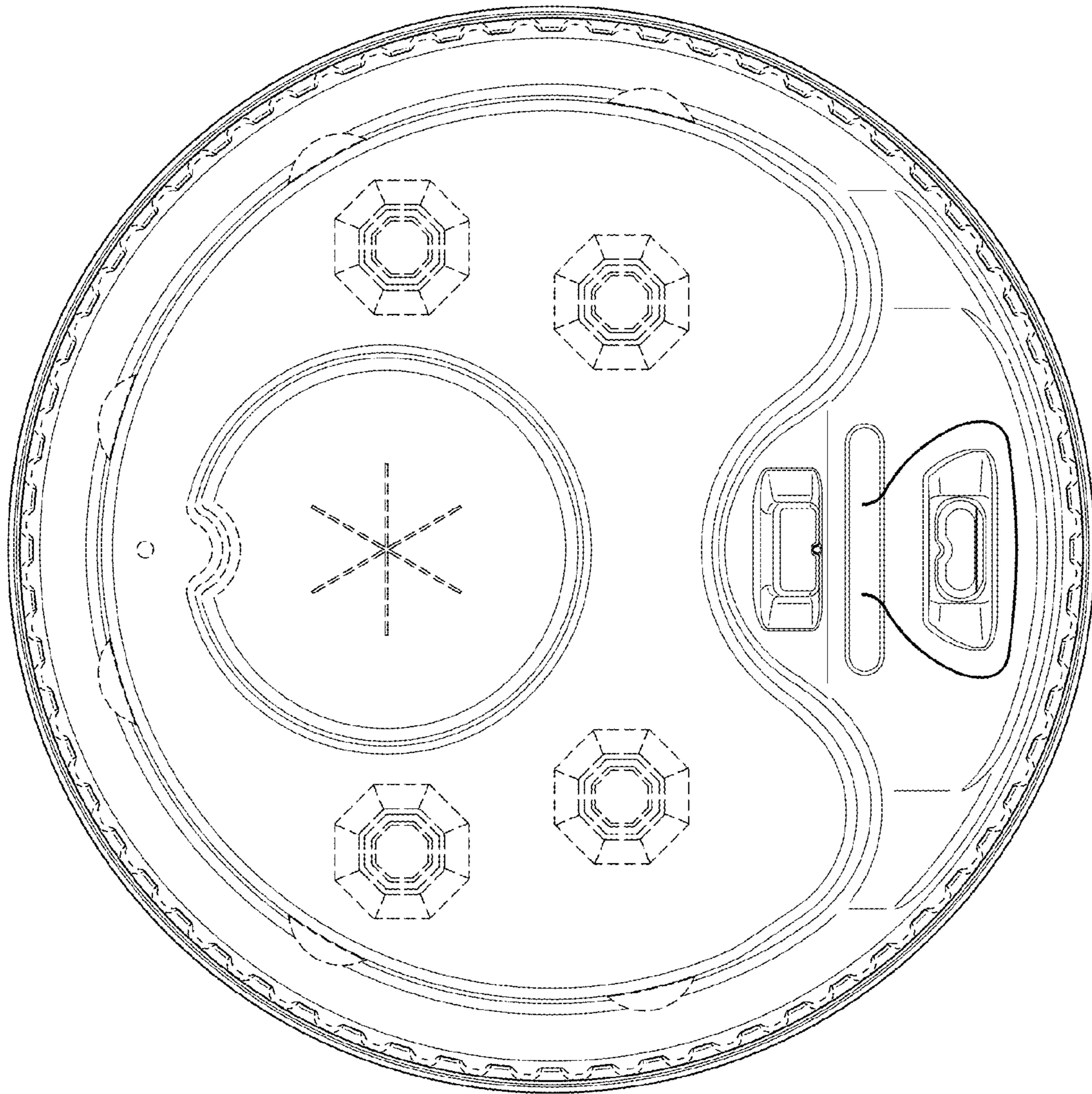


FIG. 4

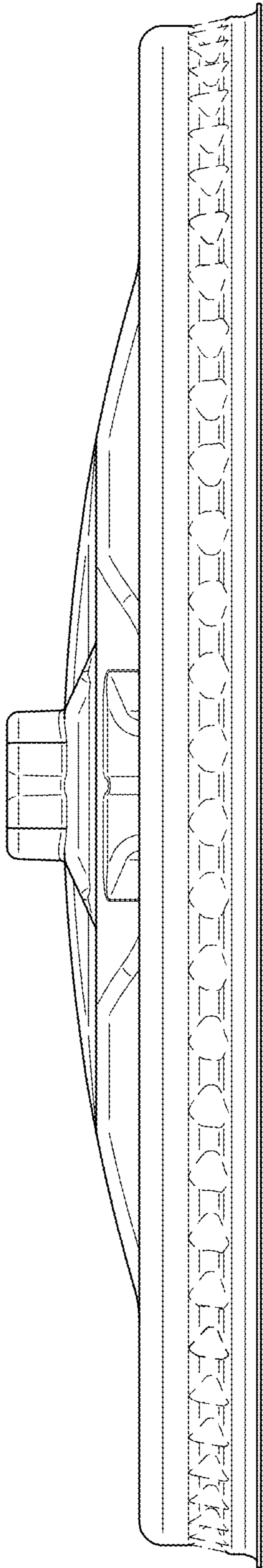


FIG. 5

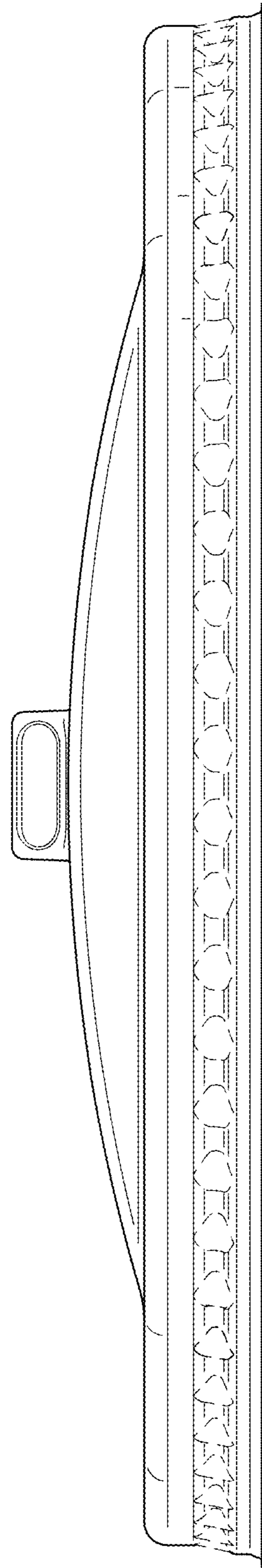


FIG. 6

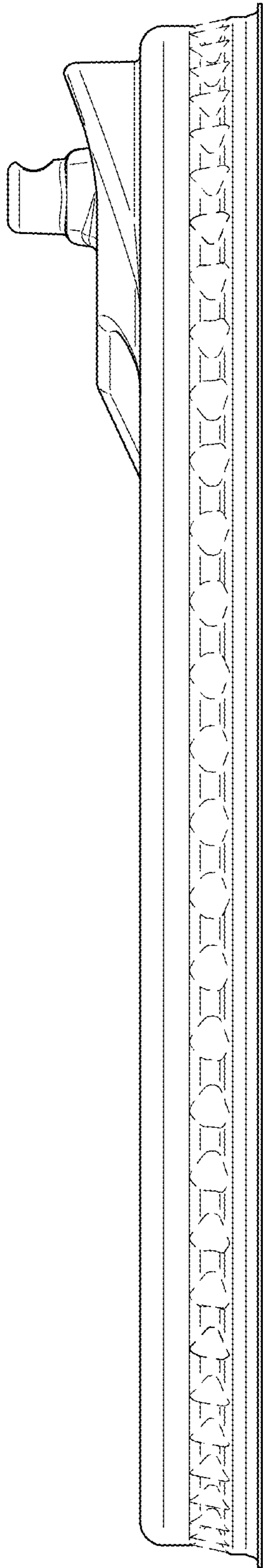


FIG. 7

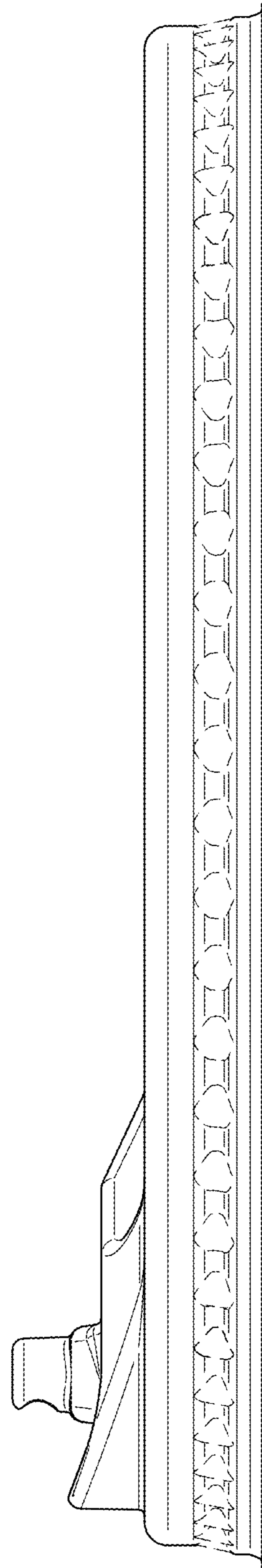


FIG. 8